



US00D486534S

(12) **United States Design Patent**  
**Ueda**

(10) **Patent No.:** **US D486,534 S**

(45) **Date of Patent:** **\*\* Feb. 10, 2004**

(54) **ROTATIVE UNIT FOR GAME BIKE**

(75) Inventor: **Takashi Ueda, Izumi (JP)**

(73) Assignee: **Cateye Co., Ltd., Osaka (JP)**

(\*\*) Term: **14 Years**

(21) Appl. No.: **29/175,917**

(22) Filed: **Feb. 13, 2003**

(30) **Foreign Application Priority Data**

Aug. 22, 2002 (JP) ..... 2002-022378

(51) **LOC (7) Cl.** ..... **21-02**

(52) **U.S. Cl.** ..... **D21/664; 662/694**

(58) **Field of Search** ..... D21/662, 663,  
D21/664, 665, 686, 694, 697; 482/1, 5,  
6, 7, 57, 61, 51, 52; 211/20, 21, 22

(56) **References Cited**

**U.S. PATENT DOCUMENTS**

4,856,659 A \* 8/1989 Krebs ..... 211/24  
4,951,937 A \* 8/1990 Hoffenberg et al. .... 482/61

4,968,475 A \* 11/1990 Drukier et al. .... 376/153

5,078,277 A \* 1/1992 Tschritter ..... 211/20

5,916,067 A \* 6/1999 Morasse ..... 482/61

6,190,290 B1 \* 2/2001 Mackert ..... 482/57

6,450,922 B1 \* 9/2002 Henderson et al. .... 482/8

\* cited by examiner

*Primary Examiner*—Philip S. Hyder

(74) *Attorney, Agent, or Firm*—Olson & Hierl, Ltd.

(57) **CLAIM**

The ornamental design for a rotative unit for game bike, as shown.

**DESCRIPTION**

FIG. 1 is a front view of a rotative unit for game bike showing our new design;

FIG. 2 is a rear view thereof;

FIG. 3 is a top plan view thereof;

FIG. 4 is a bottom plan view thereof;

FIG. 5 is a right side view thereof;

FIG. 6 is a left side view thereof; and,

FIG. 7 is a perspective view thereof.

**1 Claim, 5 Drawing Sheets**

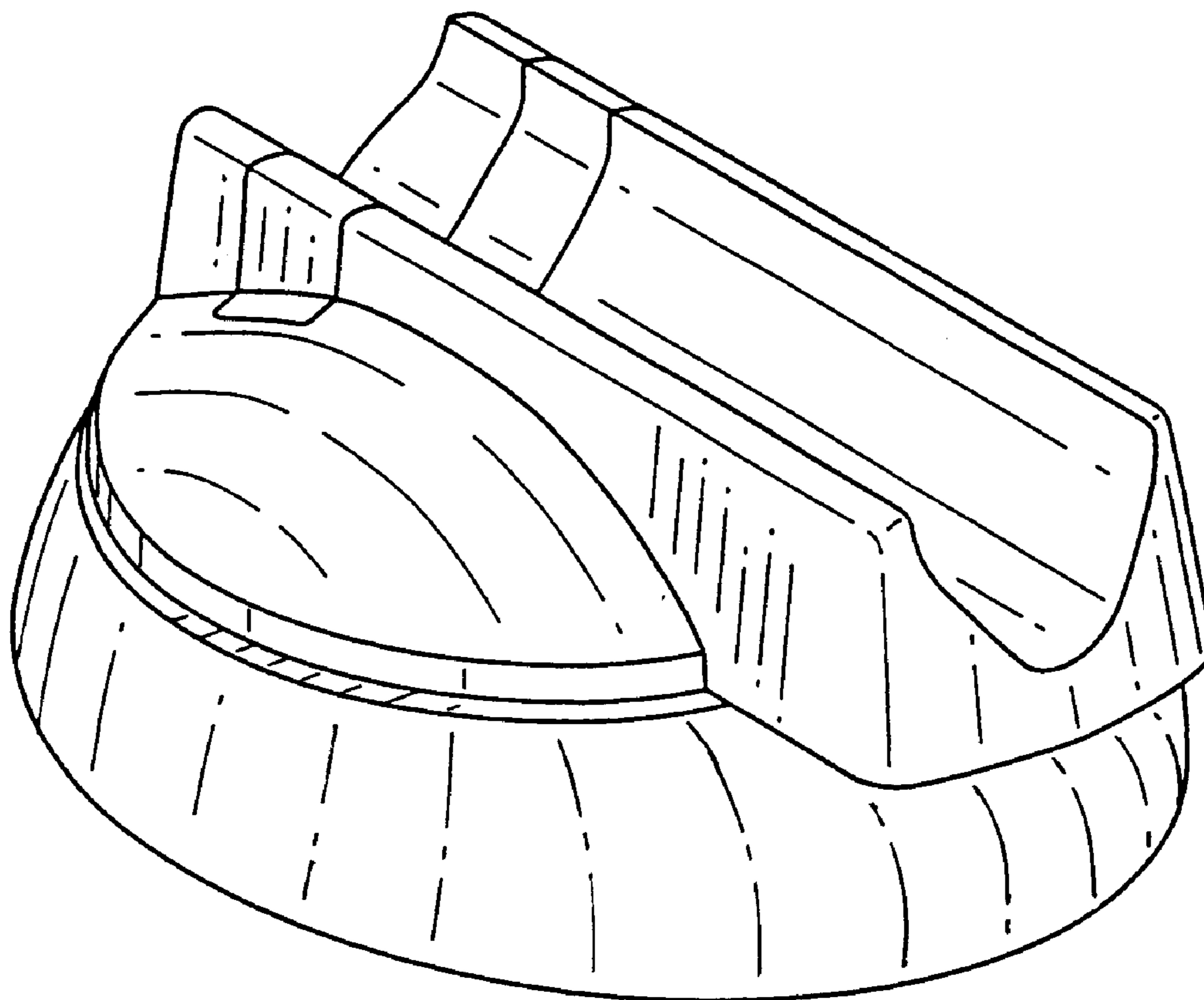


FIG. 1

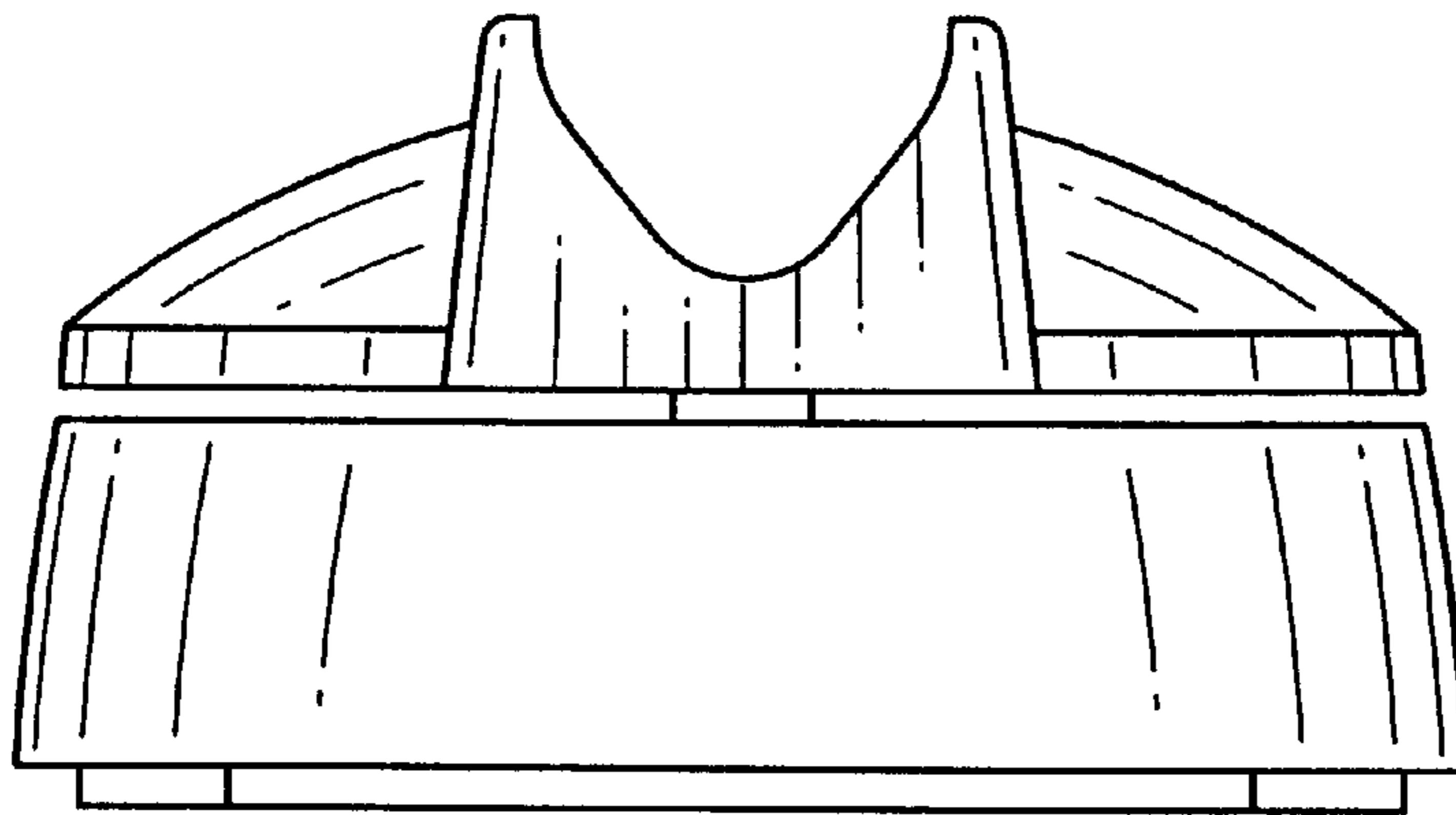


FIG. 2

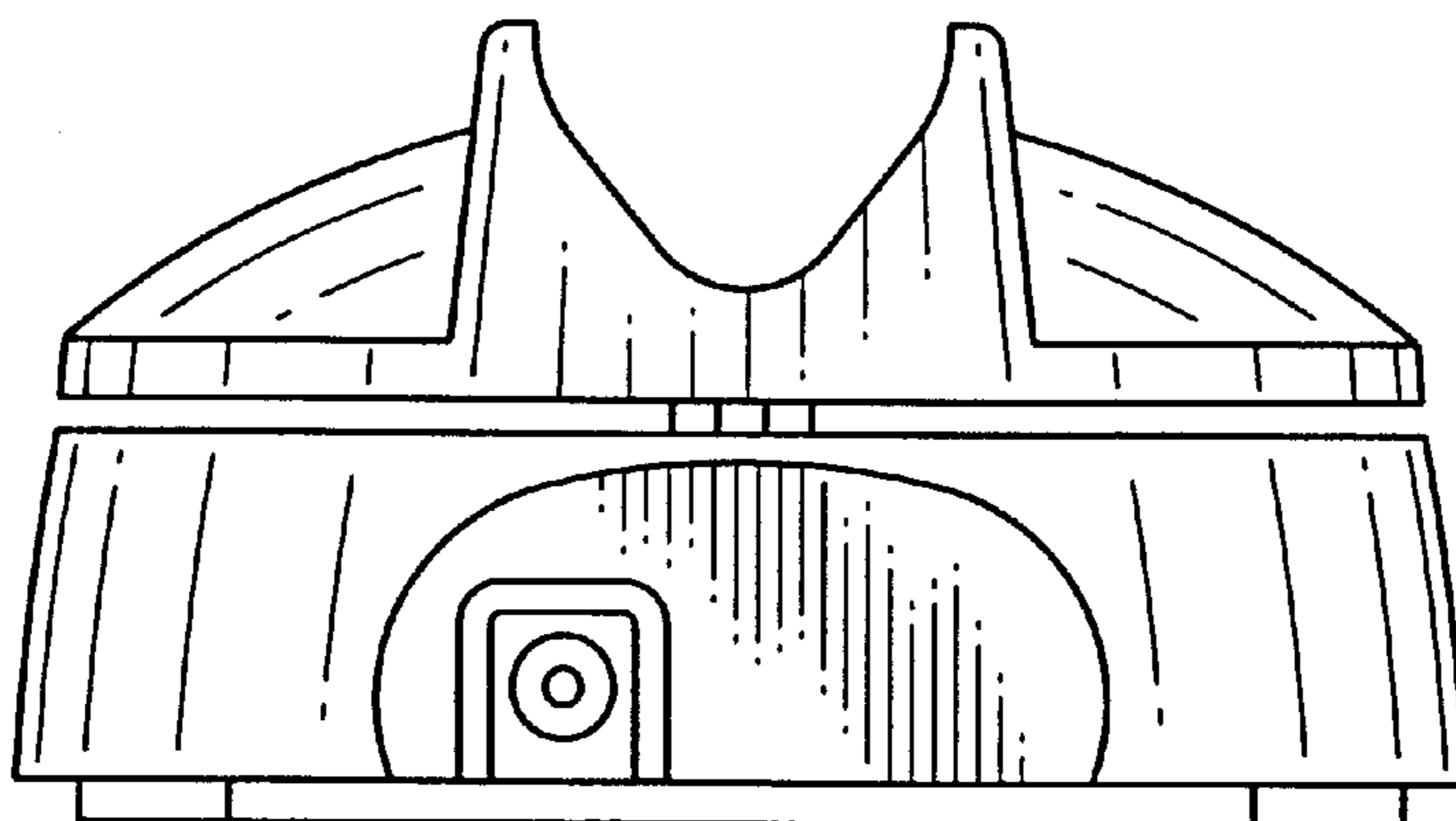


FIG. 3

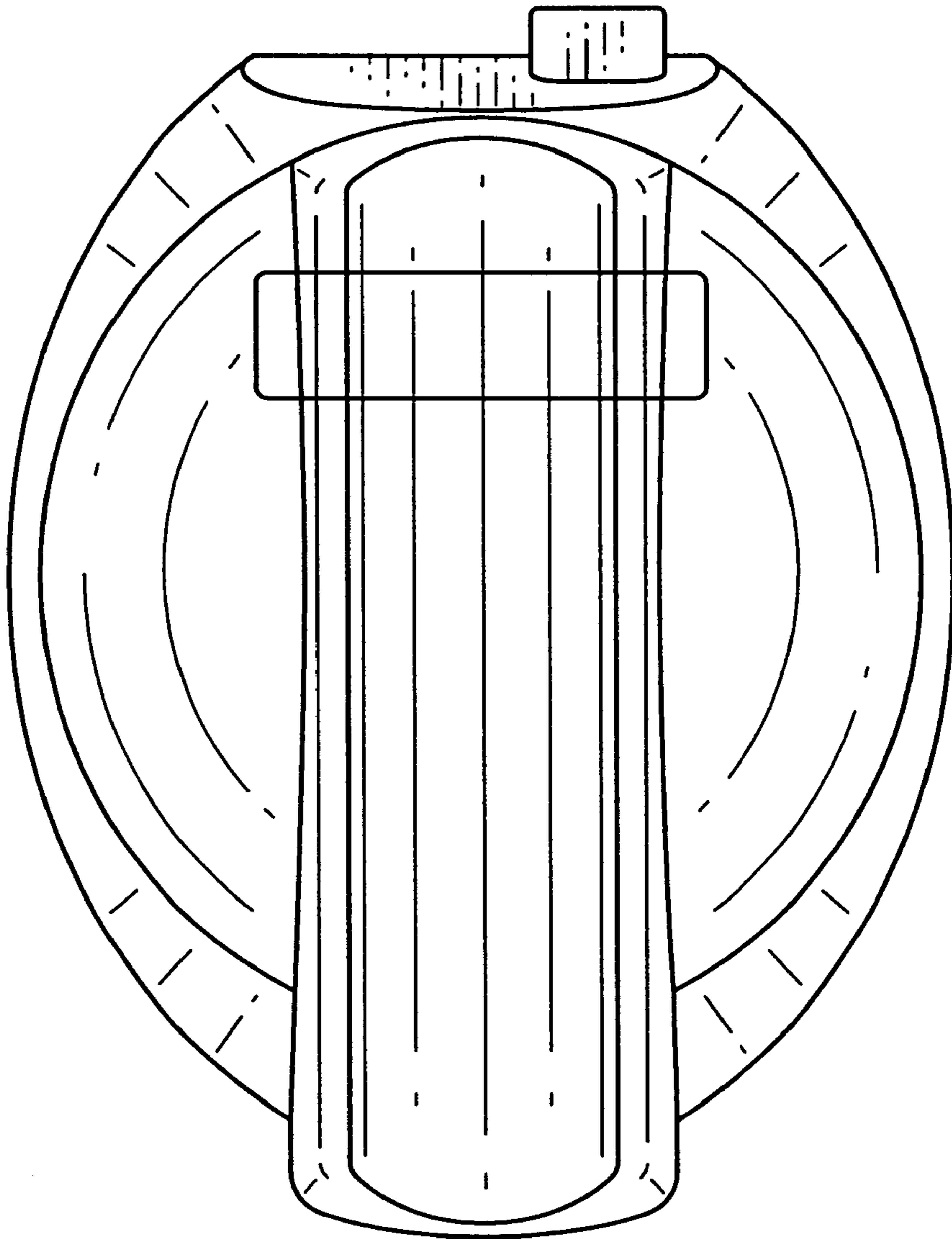


FIG. 4

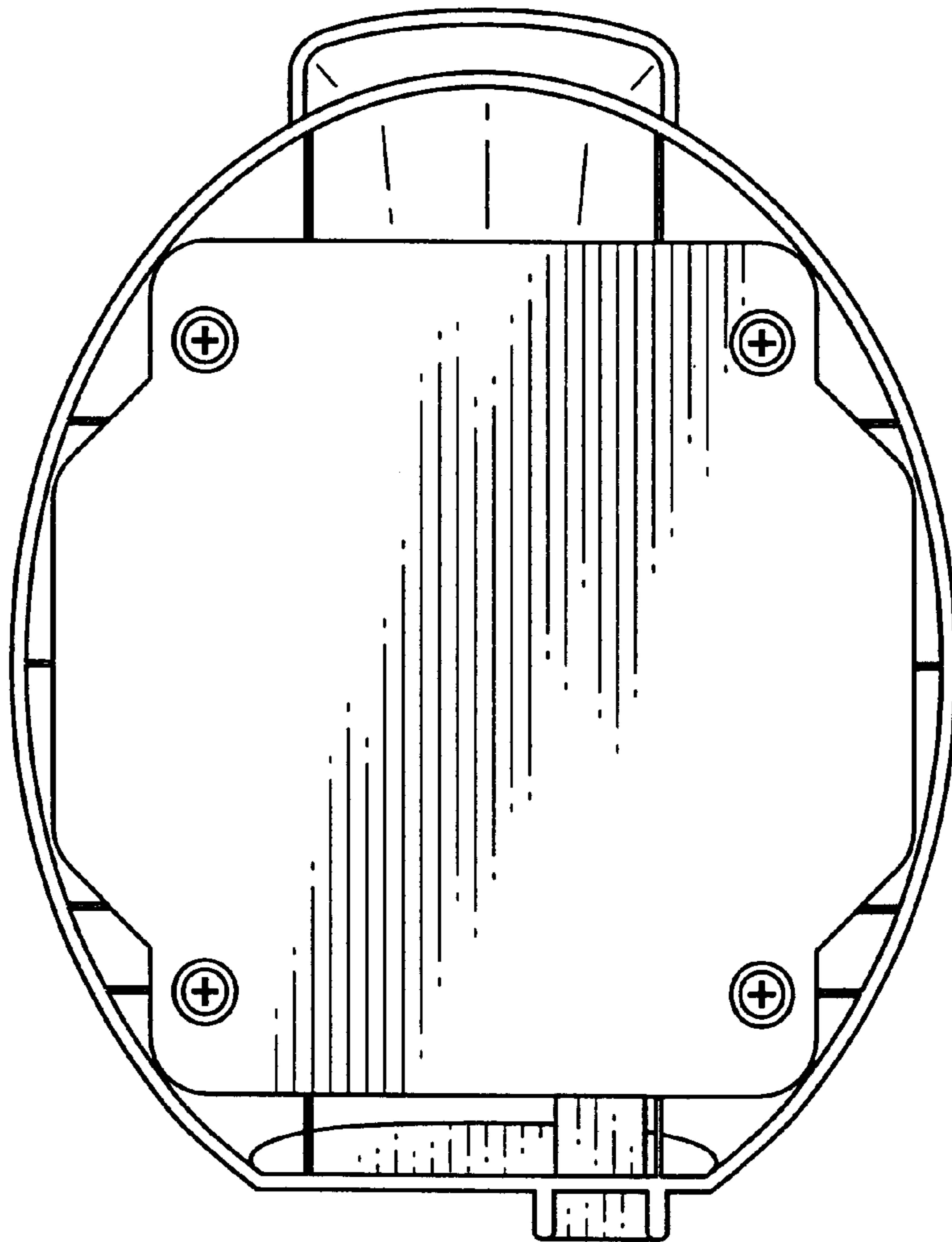


FIG. 5

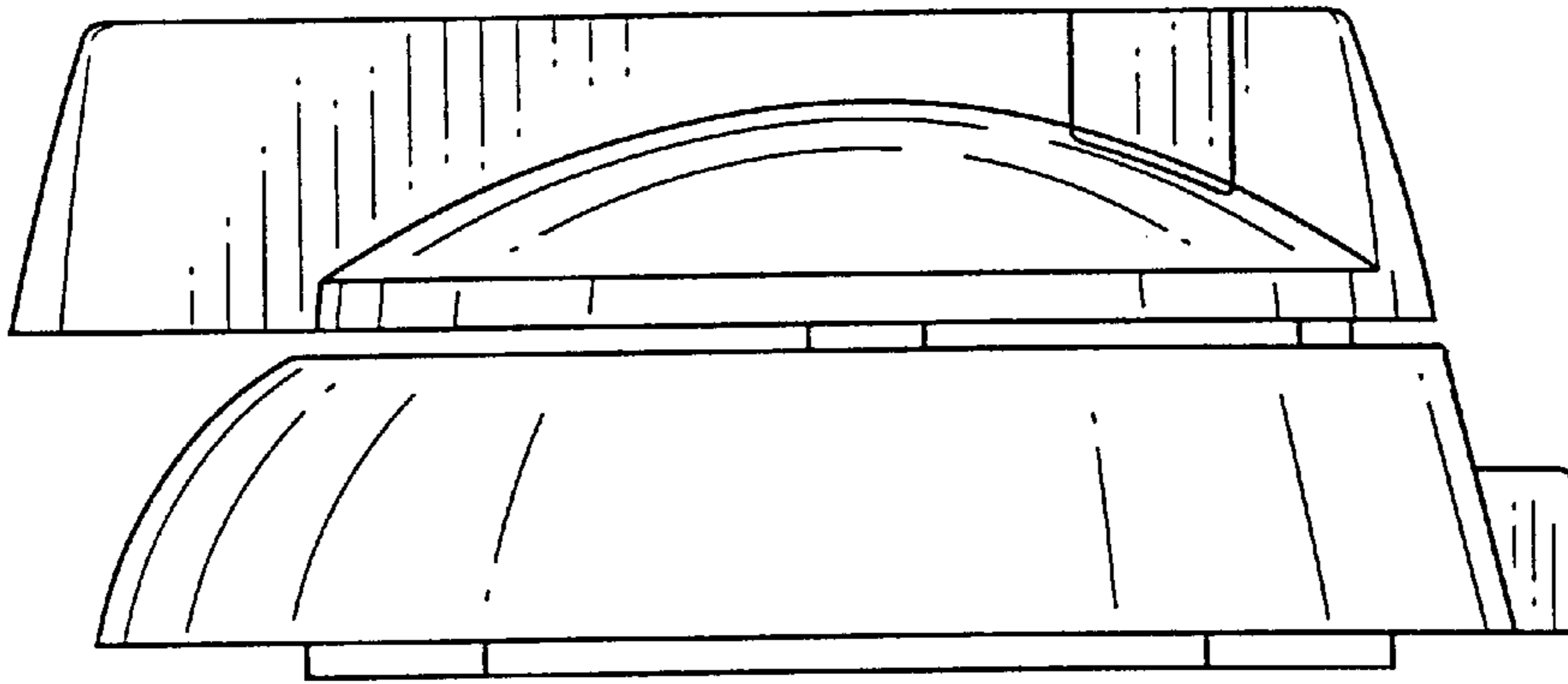


FIG. 6

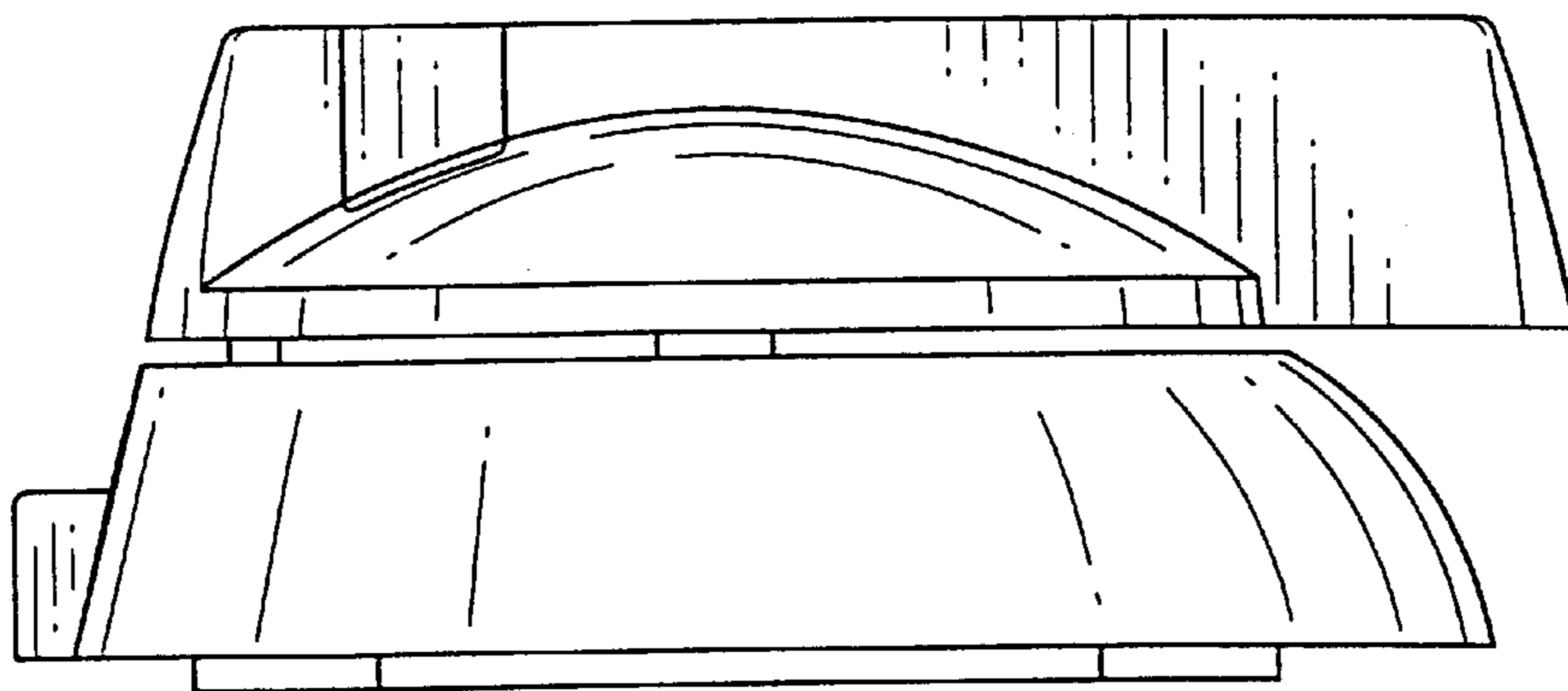


FIG. 7

