



US00D486529S

(12) **United States Design Patent**
Valenzuela

(10) **Patent No.:** **US D486,529 S**

(45) **Date of Patent:** **** Feb. 10, 2004**

(54) **LARGE LAW ENFORCEMENT PRIVACY
SCREEN THAT IS FOLDABLE FOR
VEHICLE TRUNK STORAGE**

D410,496 S * 6/1999 Wyse D20/41
D433,713 S * 11/2000 Olivetti D20/10
6,170,183 B1 1/2001 Keefe
D438,570 S * 3/2001 Stephanian D20/10
D447,181 S * 8/2001 Evers et al. D20/10

(76) **Inventor:** **Edmond W. Valenzuela**, 871 Hillward
Ave., West Covina, CA (US) 91791

* cited by examiner

(**) **Term:** **14 Years**

Primary Examiner—Robert M. Spear
(74) *Attorney, Agent, or Firm*—Donald R. Schoonover

(21) **Appl. No.:** **29/180,196**

(22) **Filed:** **Apr. 22, 2003**

(57) **CLAIM**

(51) **LOC (7) Cl.** **20-03**

(52) **U.S. Cl.** **D20/41**

(58) **Field of Search** D11/131-3, 138,
D11/140, 157; D20/10-11, 13-14, 19, 23-4,
27, 99; D12/193; 40/200, 204-6, 208-9,
591; 428/913.3, 914

I claim the ornamental design for a large law enforcement
privacy screen that is foldable for vehicle trunk storage, as
shown and described.

DESCRIPTION

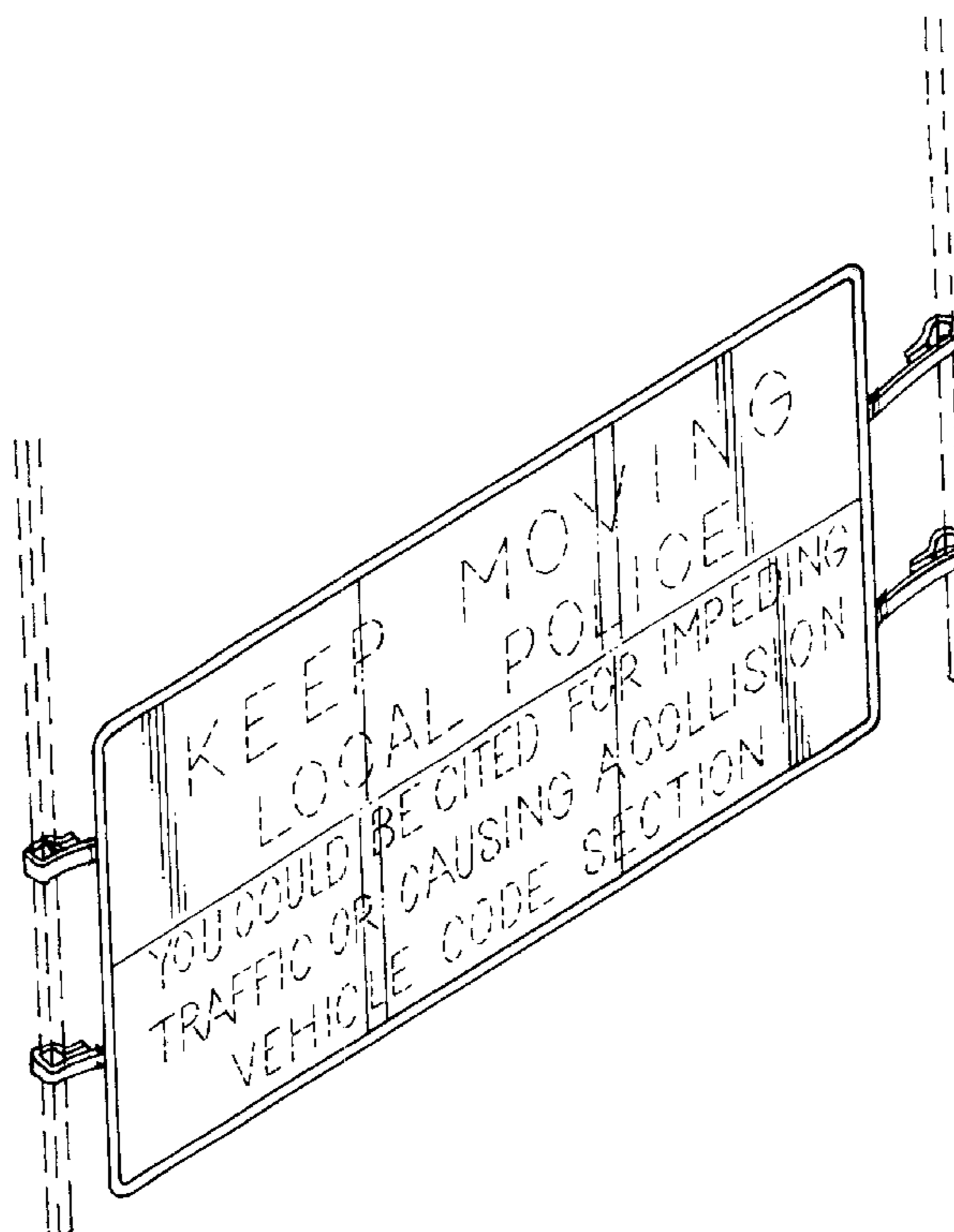
(56) **References Cited**

U.S. PATENT DOCUMENTS

- 1,970,080 A 8/1934 Edgerton
- 2,296,893 A 9/1942 Austin
- 2,816,377 A * 12/1957 Hastings 40/591
- 3,572,223 A 3/1971 Vierregger
- D225,187 S 11/1972 Escalante
- 4,878,303 A 11/1989 Banniza et al.
- 4,995,186 A 2/1991 Collie
- 5,083,390 A 1/1992 Edman
- D327,098 S * 6/1992 Bisko D20/10
- 5,249,381 A 10/1993 Panossian
- 5,533,287 A * 7/1996 Cole 40/591

FIG. 1 is a perspective view of a large law enforcement
privacy screen that is foldable for vehicle trunk storage
showing my new design;
FIG. 2 is a front elevational view thereof;
FIG. 3 is a rear elevational view thereof;
FIG. 4 is an end elevational view thereof, the elevational
view of the opposing end being identical thereto;
FIG. 5 is a top plan view thereof, the bottom plan view being
identical thereto; and,
FIG. 6 is a reduced perspective view showing the large law
enforcement privacy screen that is foldable for vehicle trunk
storage in use.
The broken lines depict environmental structure for illus-
trative purposes only and form no part of the claimed design.

1 Claim, 4 Drawing Sheets



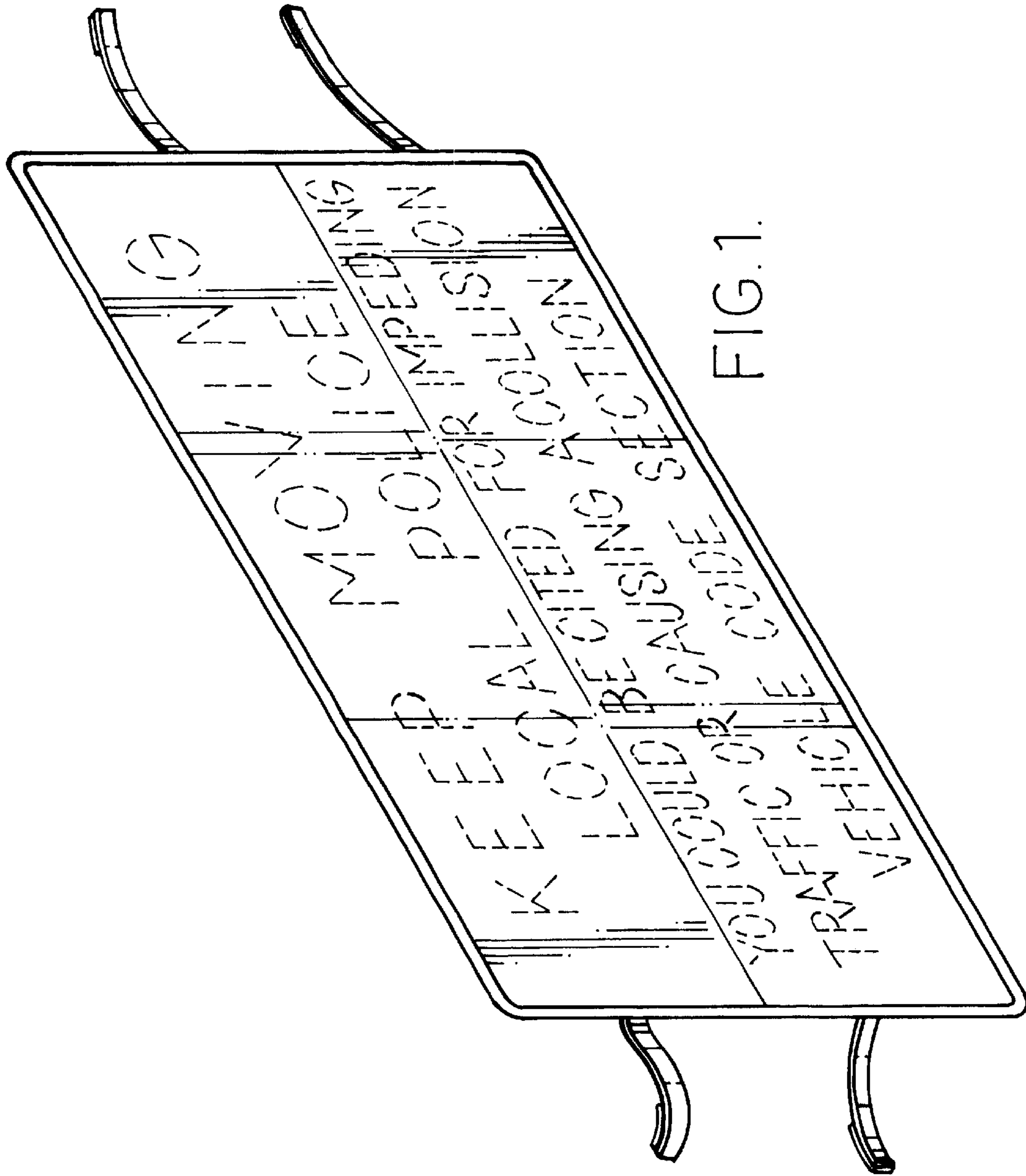


FIG.1.

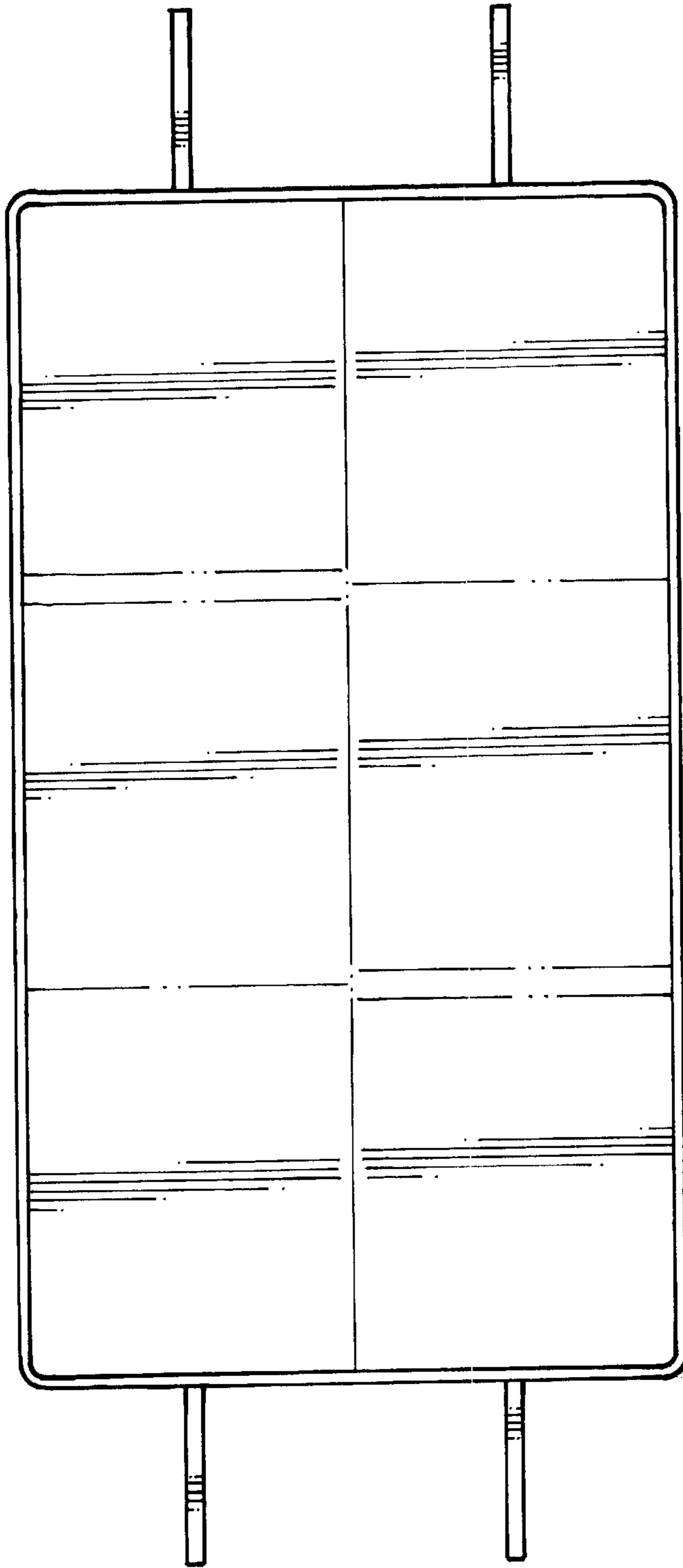


FIG. 2.

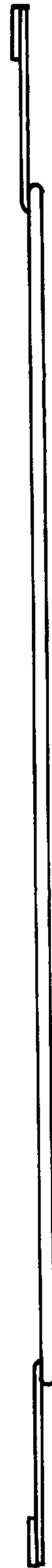


FIG. 5.

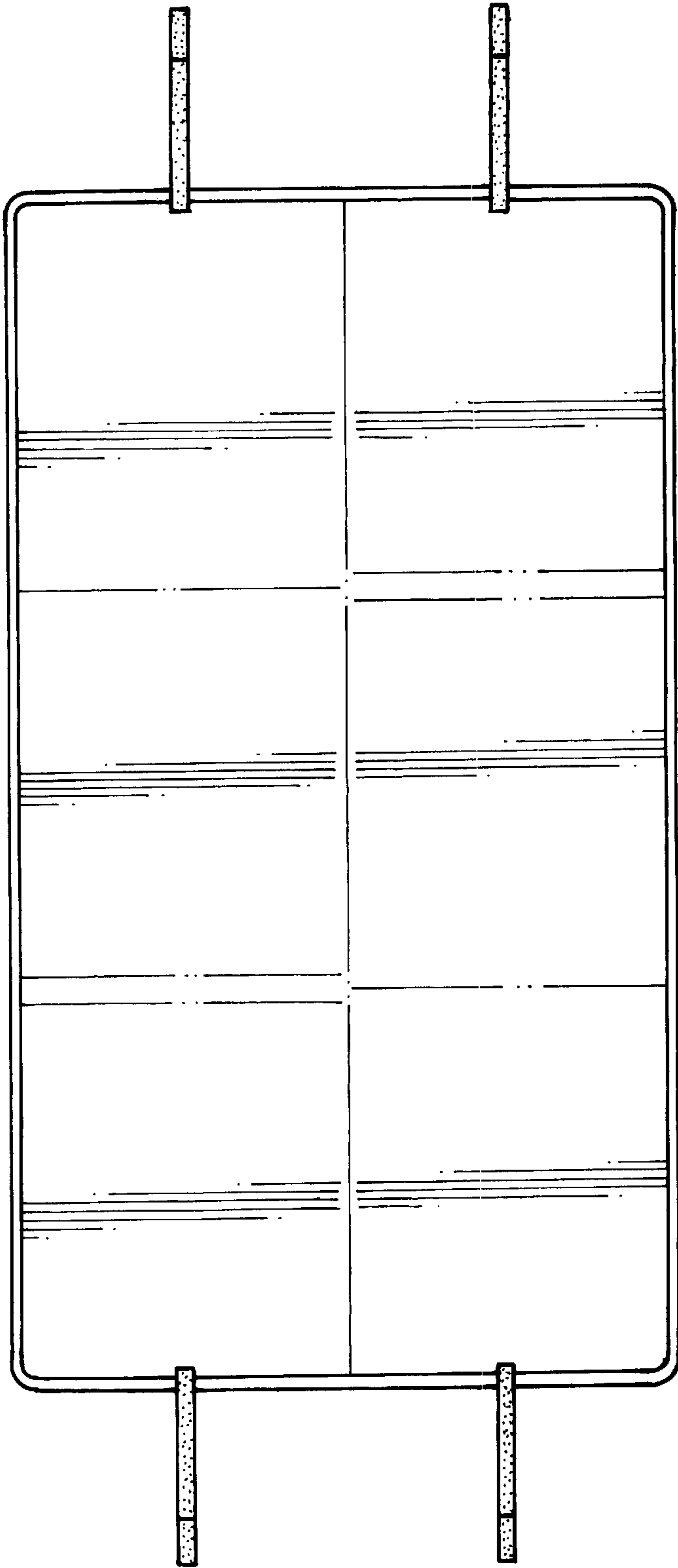


FIG. 3.

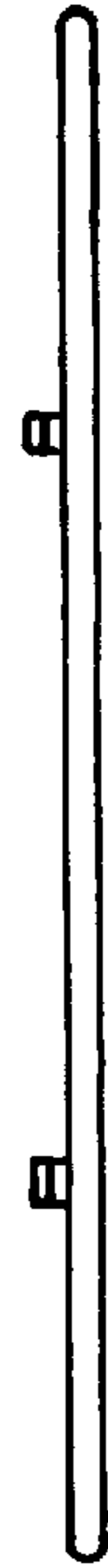


FIG. 4.

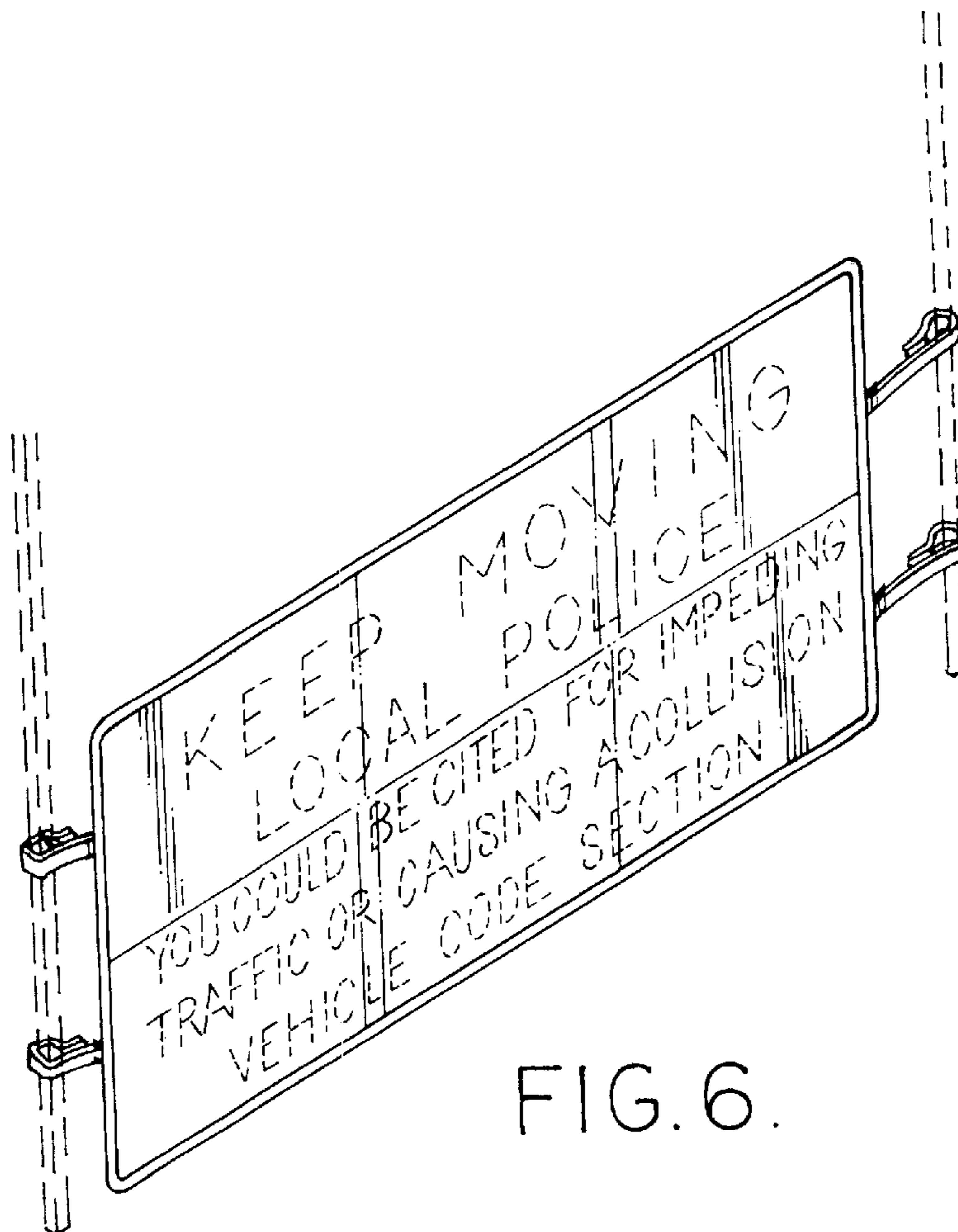


FIG. 6.