



US00D486527S

(12) **United States Design Patent**  
**Prineppi**

(10) **Patent No.:** **US D486,527 S**

(45) **Date of Patent:** **\*\* Feb. 10, 2004**

(54) **DISPLAY ROTATOR MOTOR**

(76) **Inventor:** **Frank Joseph Prineppi**, PMB 341,  
1323 SE. 17th St., Ft. Lauderdale, FL  
(US) 33316

(\*\*) **Term:** **14 Years**

(21) **Appl. No.:** **29/174,348**

(22) **Filed:** **Jan. 17, 2003**

(51) **LOC (7) Cl.** ..... **20-03**

(52) **U.S. Cl.** ..... **D20/21**

(58) **Field of Search** ..... D20/10, 21, 27,  
D20/42, 43, 99; D14/237; 40/430, 606.01;  
310/49 R

(56) **References Cited**

**U.S. PATENT DOCUMENTS**

D114,456 S	*	4/1939	McCabe et al.	.....	D20/21
D190,898 S	*	7/1961	Goodrich	.....	D20/21
3,478,200 A	*	11/1969	Hewson	.....	362/368
4,175,282 A	*	11/1979	Grindle et al.	.....	362/363

5,568,970 A	*	10/1996	Prineppi	.....	362/407
5,601,355 A	*	2/1997	Valentino	.....	362/35
5,954,418 A	*	9/1999	Prineppi	.....	362/152
6,209,242 B1	*	4/2001	Marshall	.....	40/414

\* cited by examiner

*Primary Examiner*—Robert M. Spear

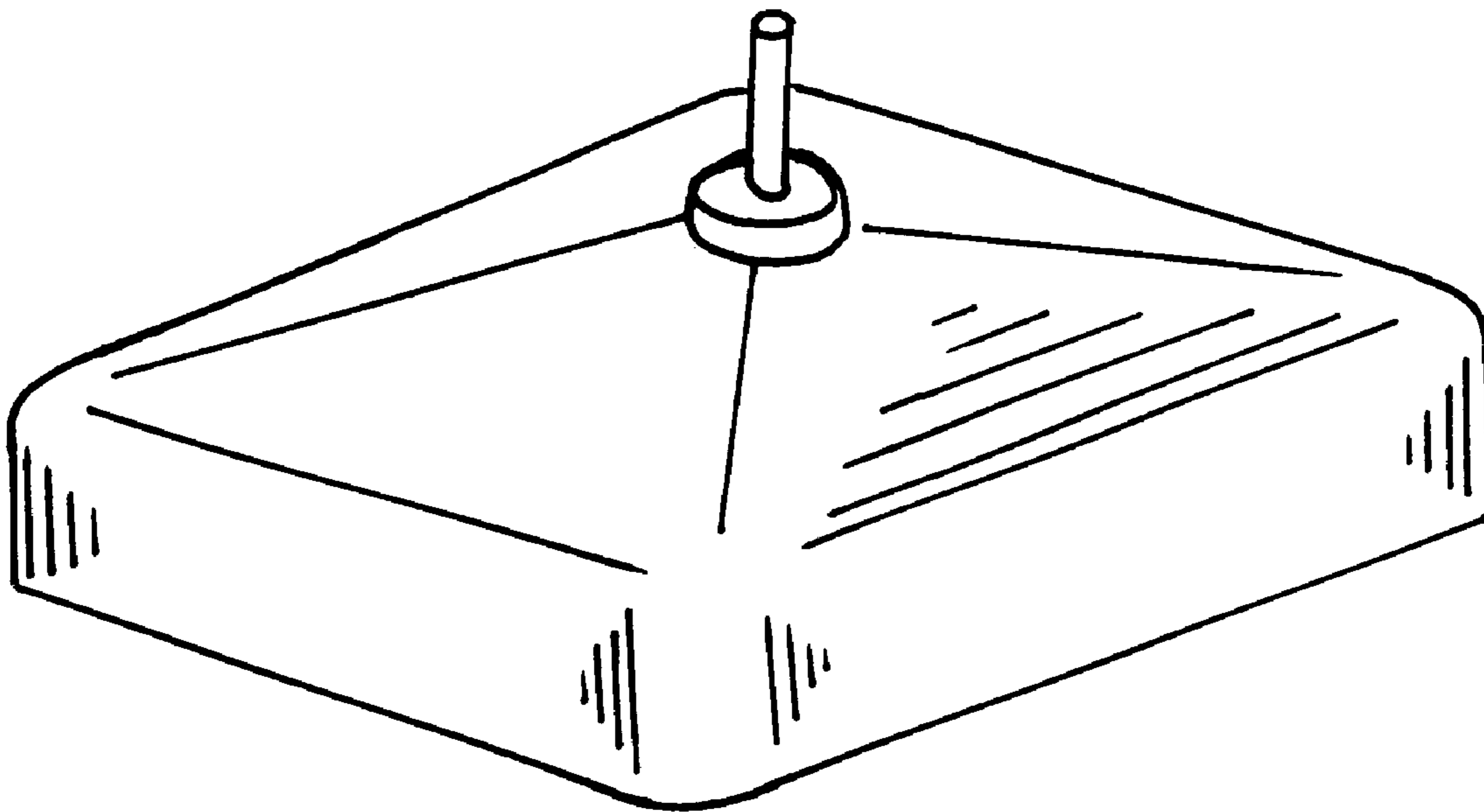
(57) **CLAIM**

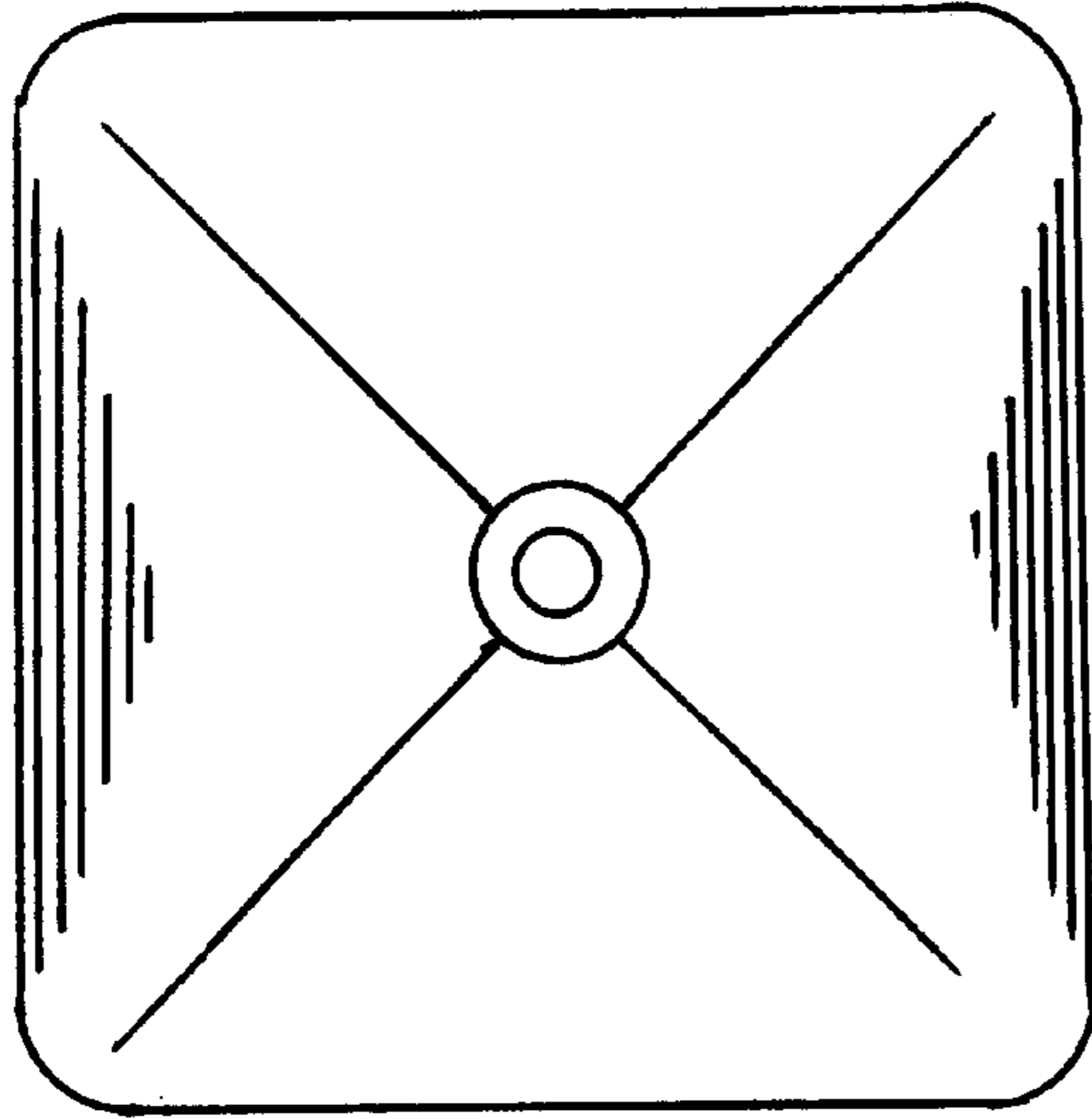
The ornamental design for a display rotator motor, as shown and described.

**DESCRIPTION**

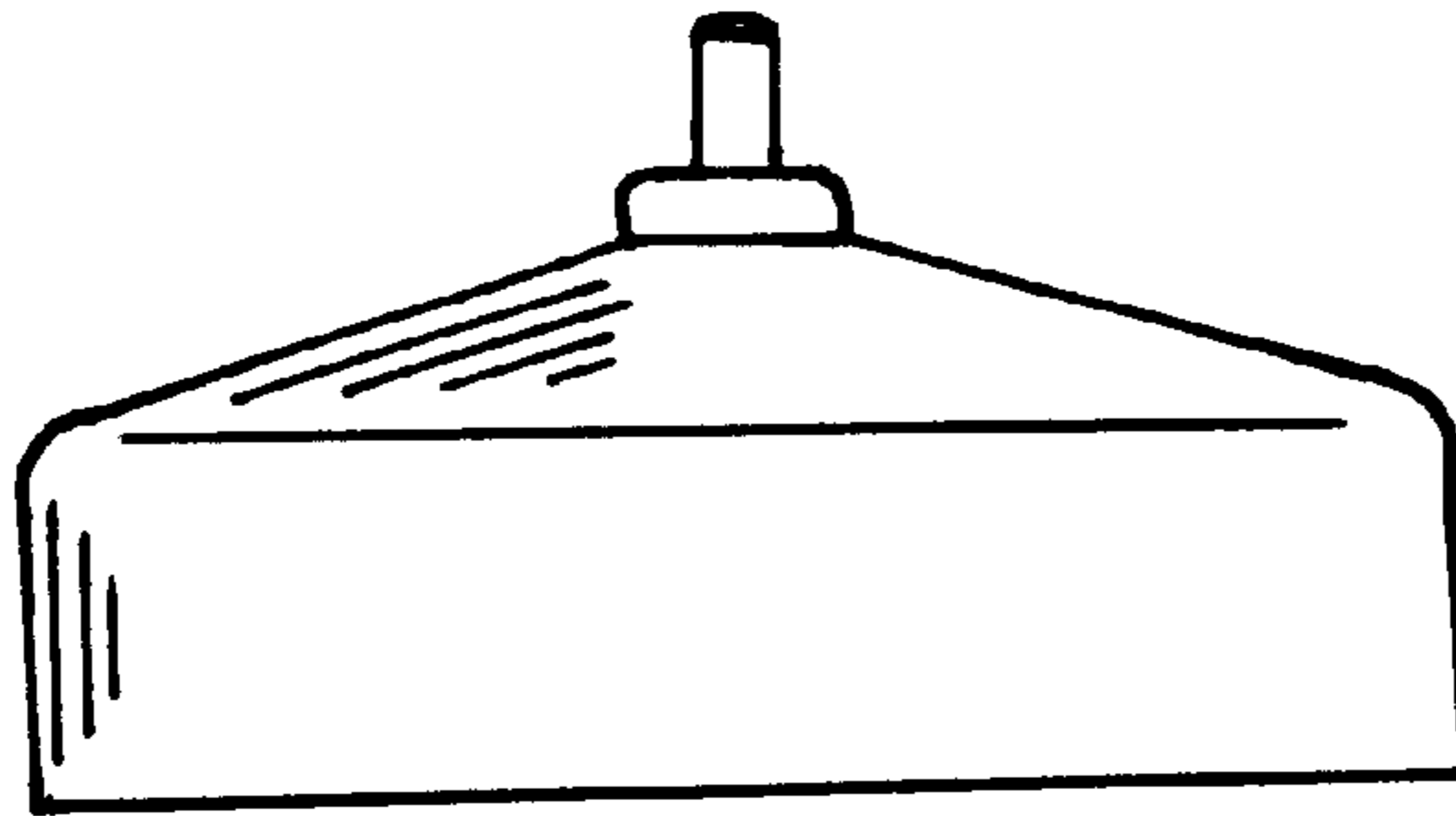
- FIG. 1 Top View of the display motor.
- FIG. 2 Side View of display motor.
- FIG. 3 Side View of display motor as viewed 90 degrees to FIG. 2.
- FIG. 4 Bottom View of display motor.
- FIG. 5. Perspective view of display motor; and,
- FIG. 6 Perspective View of display motor as viewed 45 degrees to FIG. 5.

**1 Claim, 3 Drawing Sheets**

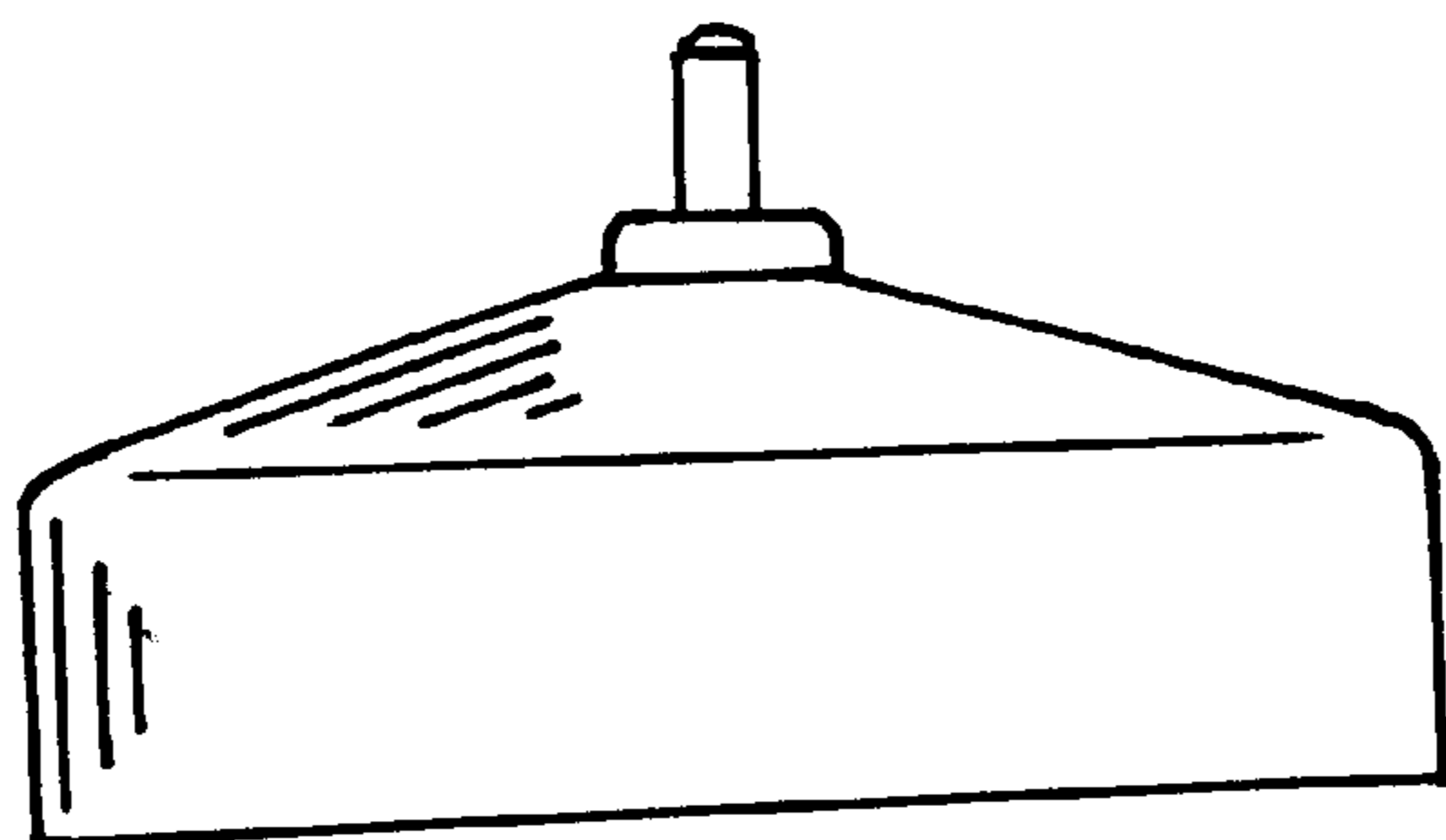




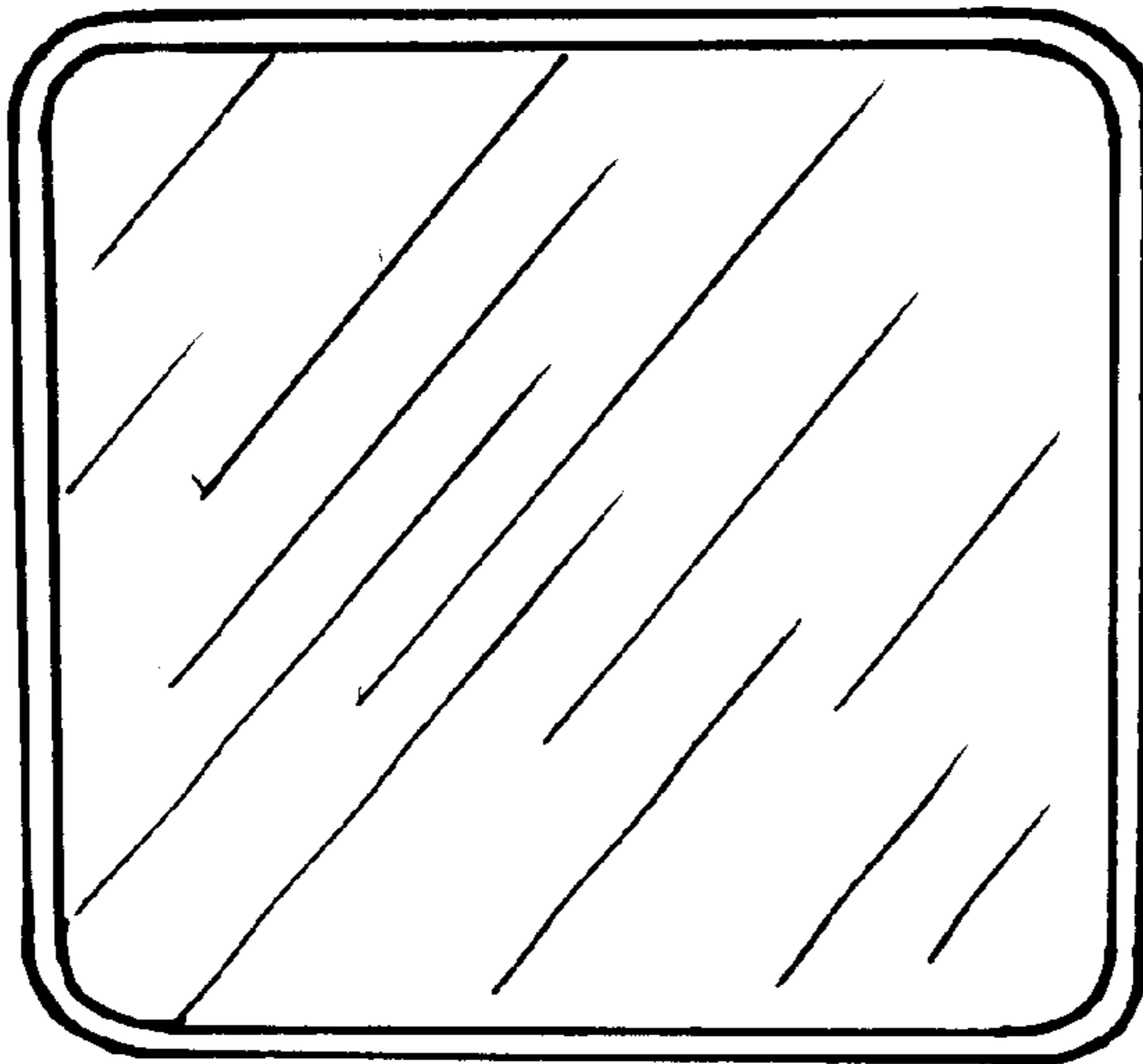
***Fig 1***



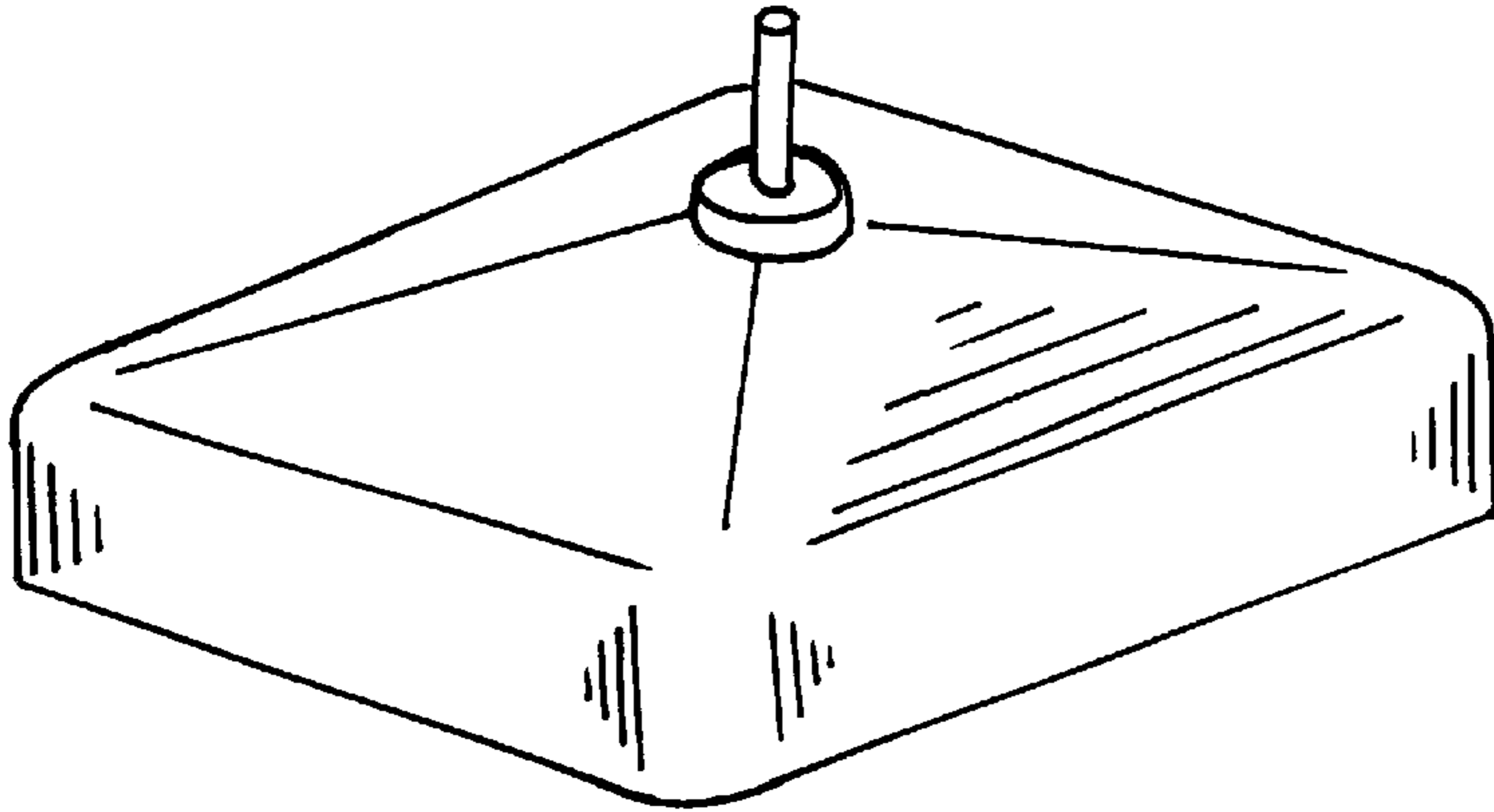
***Fig 2***



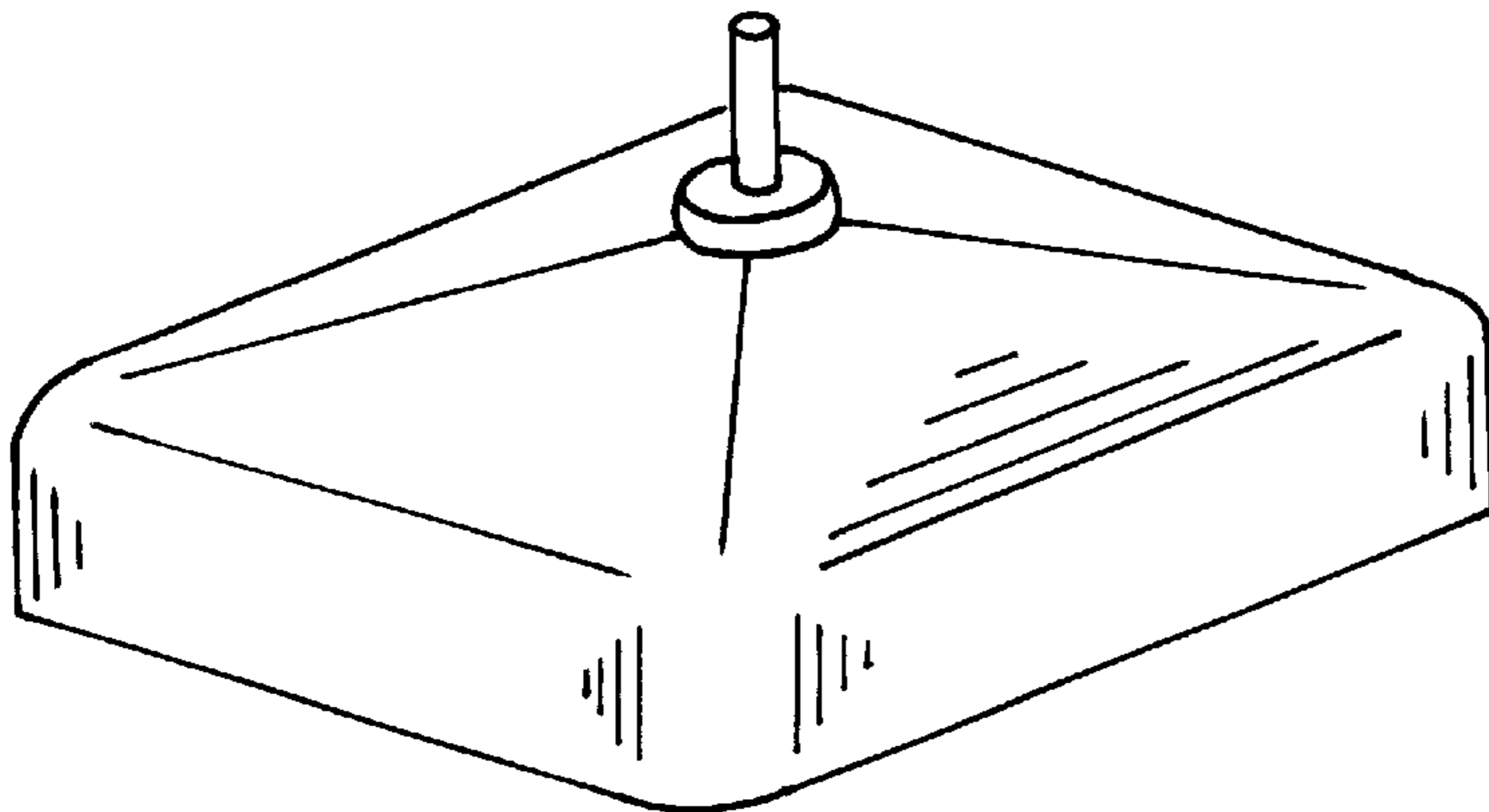
***Fig 3***



***Fig 4***



*Fig 5*



*Fig 6*