



US00D486522S

(12) **United States Design Patent**
Chen

(10) **Patent No.:** **US D486,522 S**

(45) **Date of Patent:** **** Feb. 10, 2004**

- (54) **BUSINESS CARD/CLIP HOLDER**
- (75) Inventor: **Peter Chen**, West Windsor, NJ (US)
- (73) Assignee: **Officemate International Corp.**,
Edison, NJ (US)
- (**) Term: **14 Years**
- (21) Appl. No.: **29/178,678**
- (22) Filed: **Mar. 28, 2003**
- (51) **LOC (7) Cl.** **19-02**
- (52) **U.S. Cl.** **D19/75; D19/90**
- (58) **Field of Search** D19/36, 65, 75,
D19/77, 78, 86, 90, 91, 95, 99, 100; 206/214,
224, 371, 338, 340; 211/10, 11, 13.1, 50,
51, 44, 45; 221/212, 312 C, 303

- D303,551 S * 9/1989 Szablak et al. D19/65 X
- D307,036 S * 4/1990 Evenson D19/92
- D316,566 S * 4/1991 Sun D19/95 X
- D319,666 S * 9/1991 Kheng D19/86 X
- D362,687 S * 9/1995 Kirchoff et al. D19/92
- D459,758 S * 7/2002 Foster D19/75

* cited by examiner

Primary Examiner—Martie K. Holtje
(74) *Attorney, Agent, or Firm*—Daniel Kirshner

(57) **CLAIM**

The ornamental design for a business card/clip holder, as shown.

DESCRIPTION

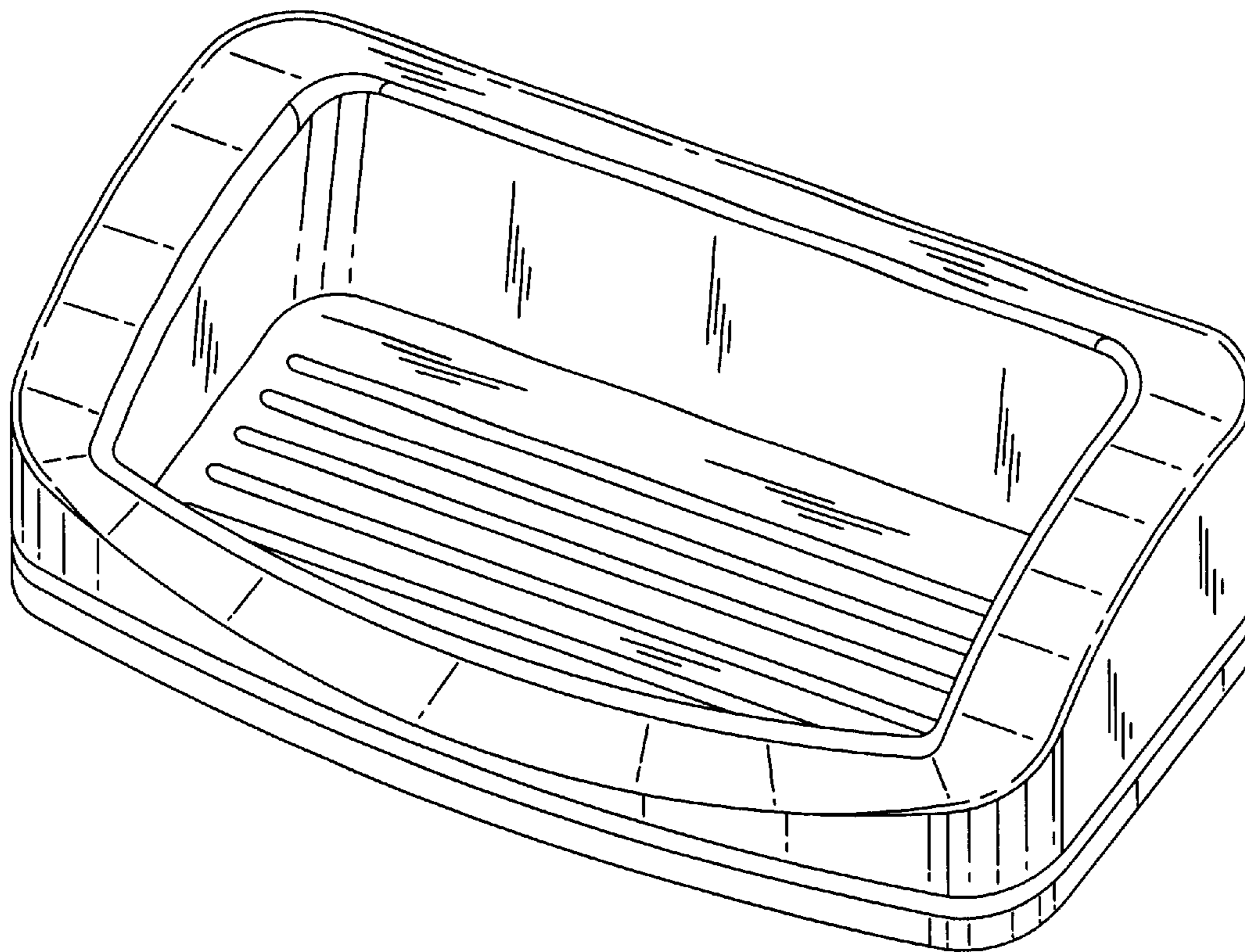
FIG. 1 is a front perspective view of the business card/clip holder showing the design;
FIG. 2 is a front elevational view thereof;
FIG. 3 is a rear elevational view thereof;
FIG. 4 is a left side elevational view thereof;
FIG. 5 is a right side elevational view thereof;
FIG. 6 is a top plan view thereof; and,
FIG. 7 is a bottom plan view thereof.

(56) **References Cited**

U.S. PATENT DOCUMENTS

- D140,242 S * 2/1945 Wemyss D19/92 X
- D273,309 S * 4/1984 Evenson D19/75
- D286,165 S * 10/1986 Rooney D19/75
- D303,397 S * 9/1989 Heng D19/75

1 Claim, 4 Drawing Sheets



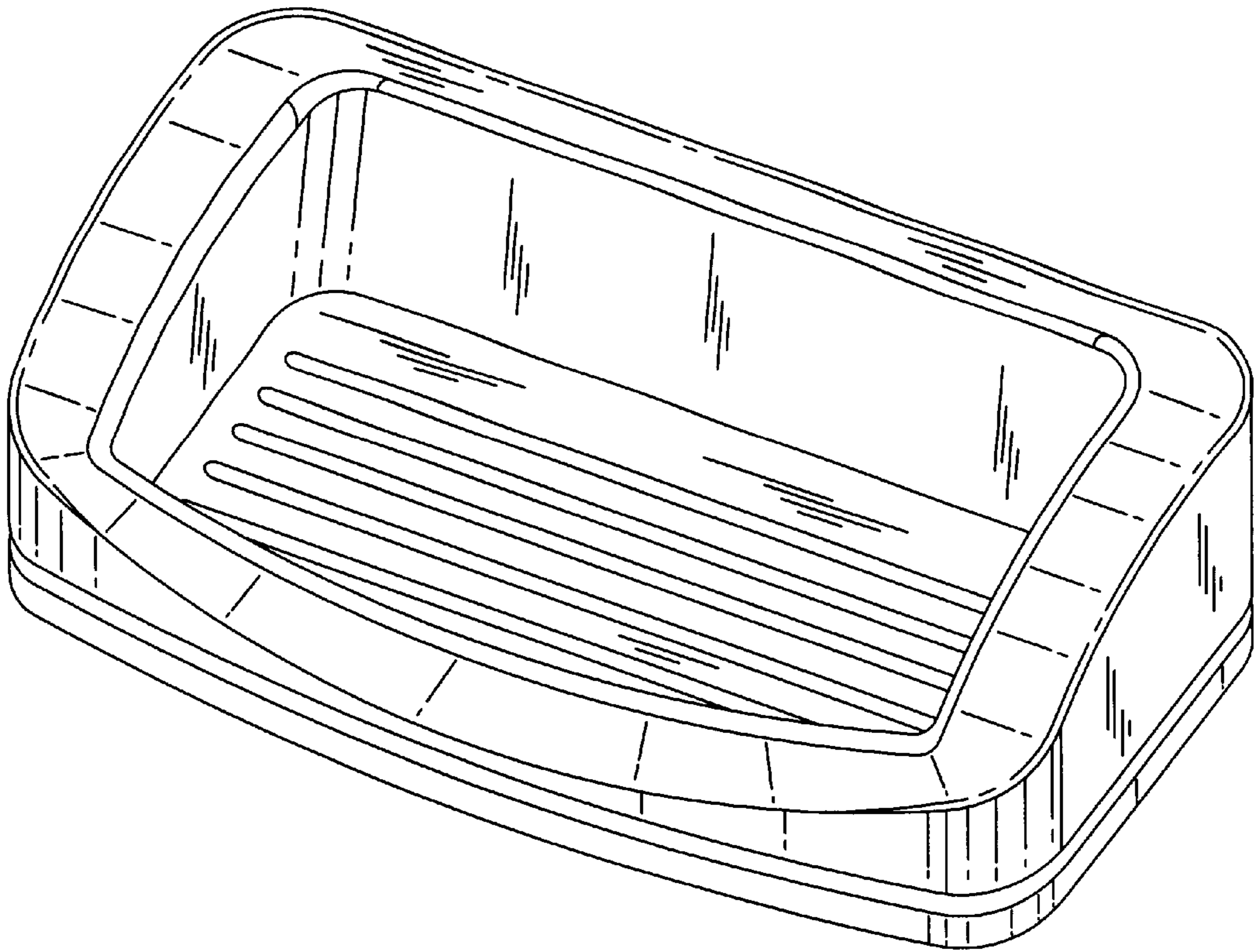


FIG. 1

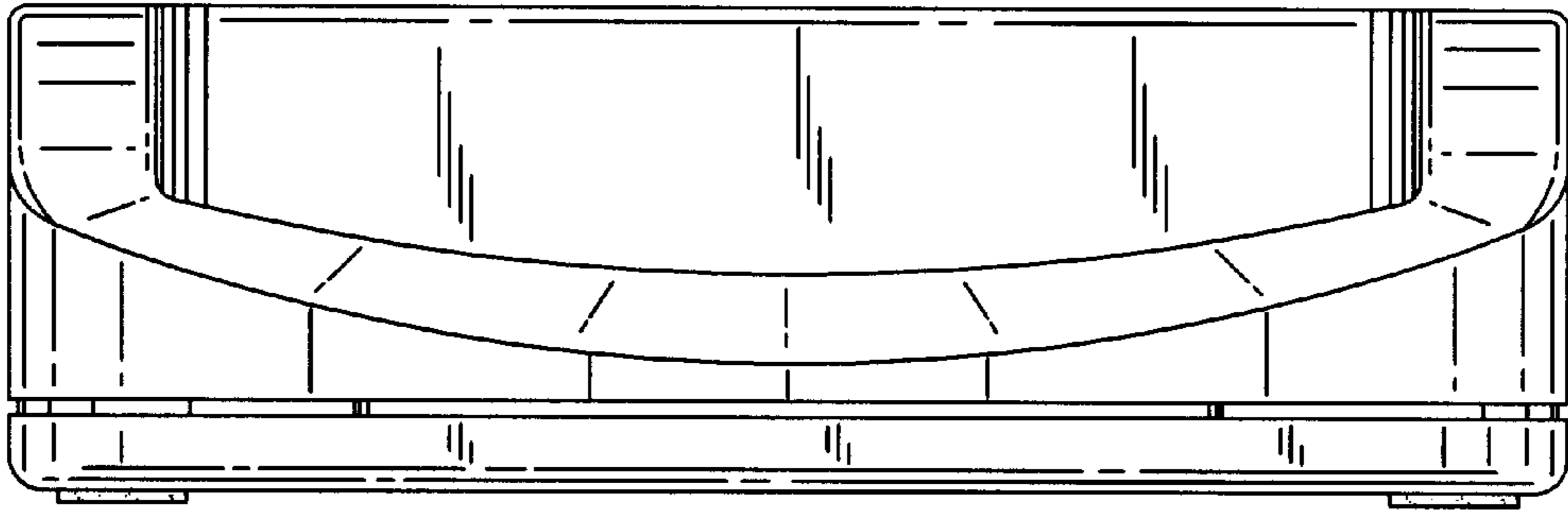


FIG. 2

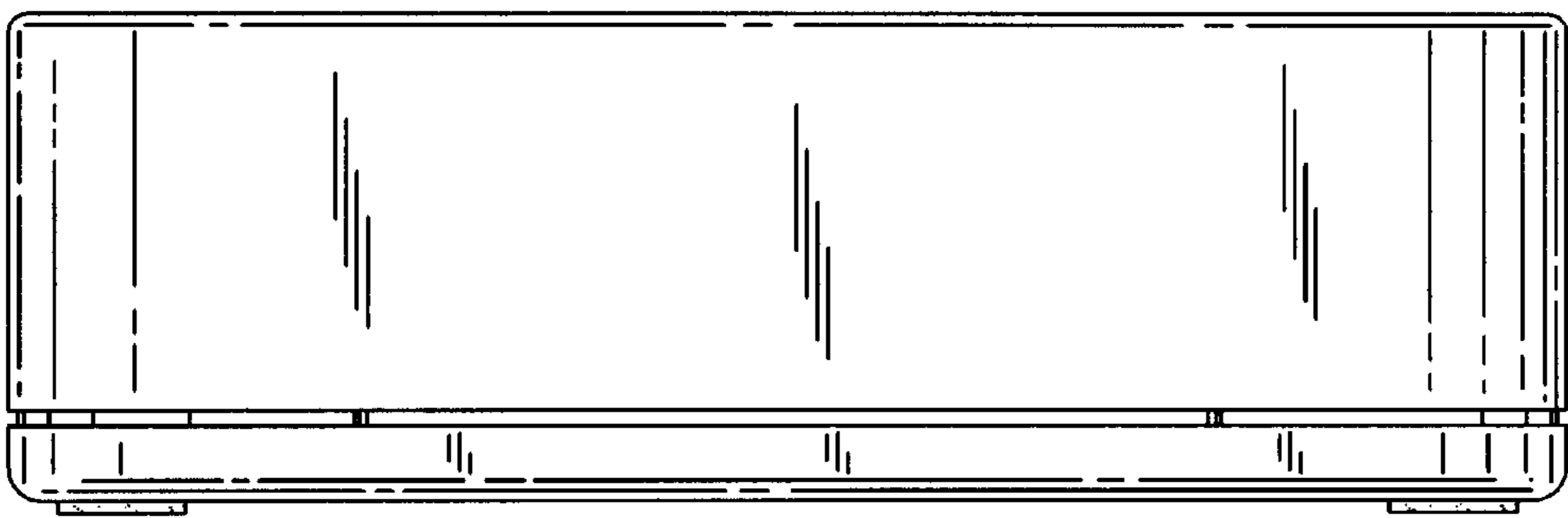


FIG. 3

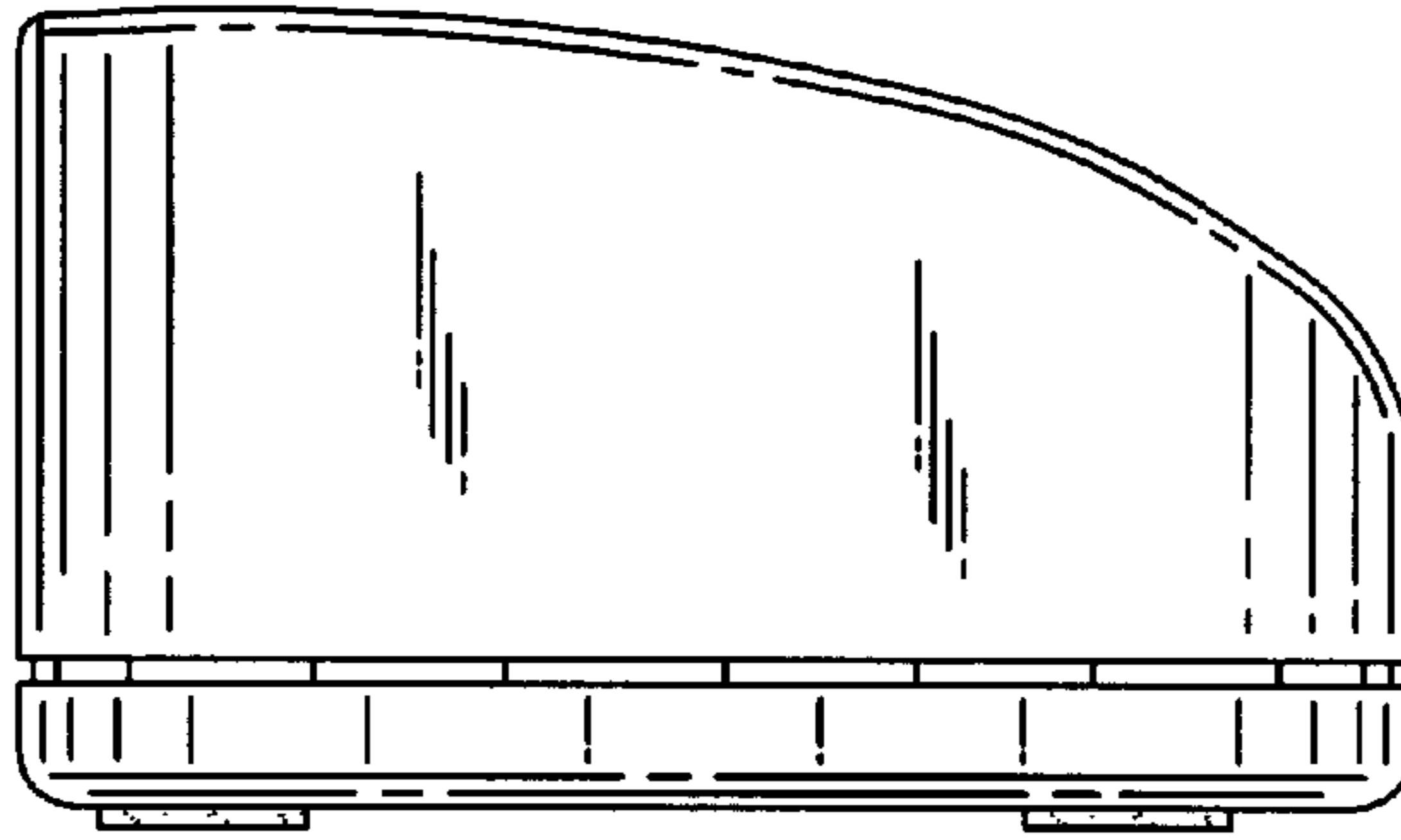


FIG. 4

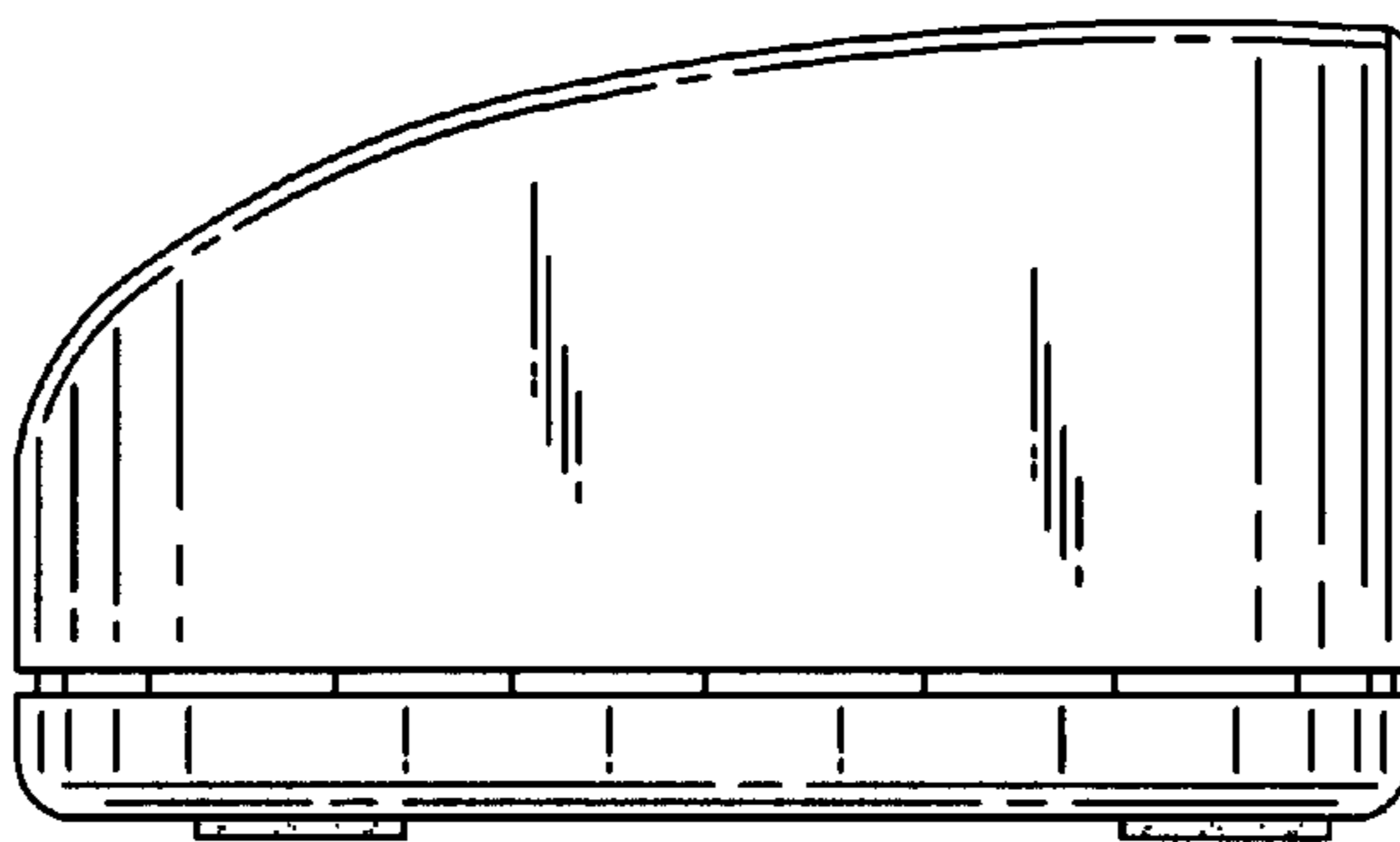


FIG. 5

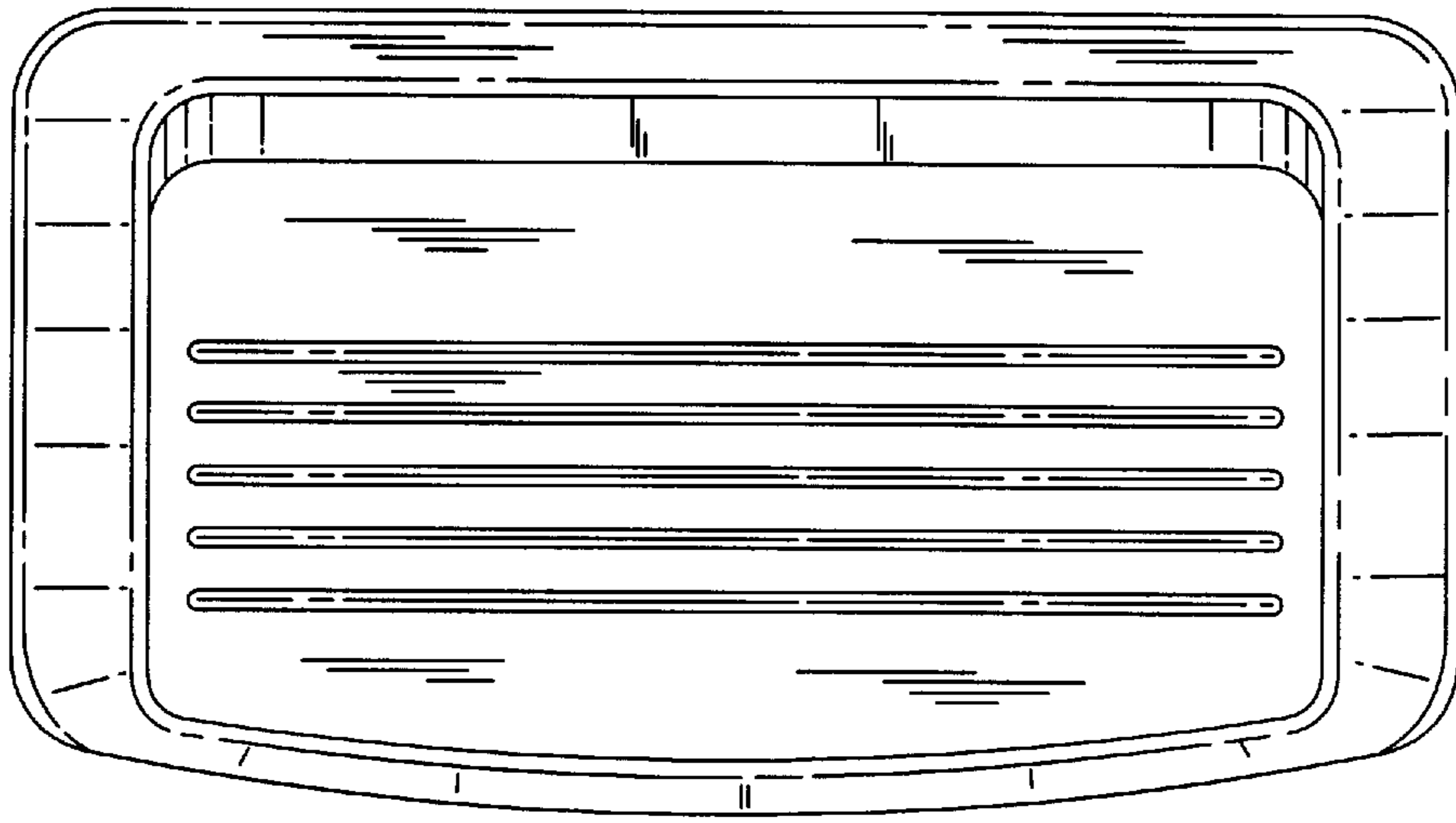


FIG. 6

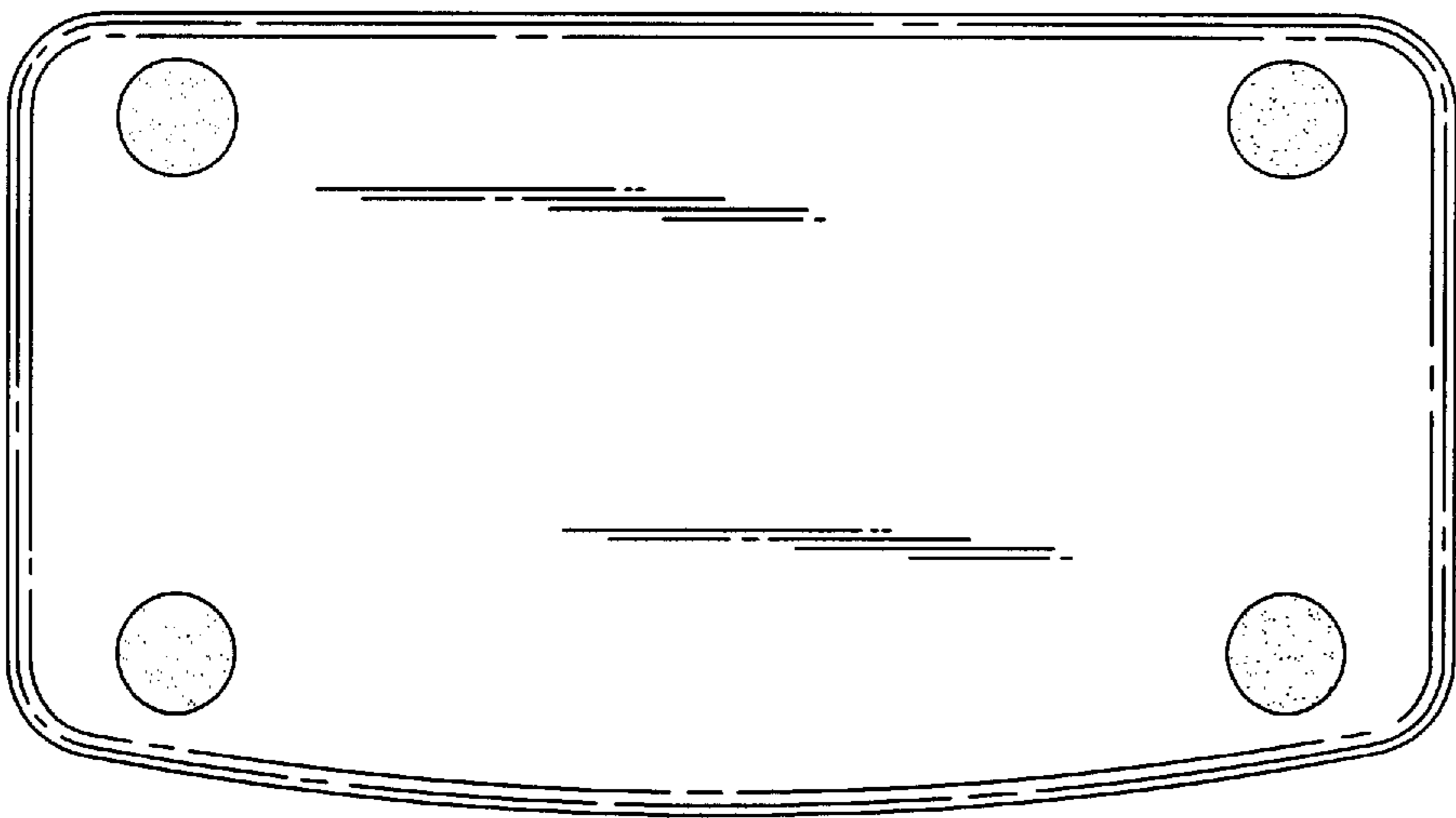


FIG. 7