



US00D486521S

(12) **United States Design Patent**
Crawford et al.

(10) **Patent No.:** **US D486,521 S**

(45) **Date of Patent:** **** Feb. 10, 2004**

(54) **TAPE DISPENSER**

(75) Inventors: **Dennis L. Crawford**, Roberts, WI (US); **Bruce W. Carlson**, Minneapolis, MN (US); **Arthur V. Lang**, Maplewood, MN (US)

(73) Assignee: **3M Innovative Properties Company**, St. Paul, MN (US)

(**) Term: **14 Years**

(21) Appl. No.: **29/175,612**

(22) Filed: **Feb. 7, 2003**

(51) **LOC (7) Cl.** **19-02**

(52) **U.S. Cl.** **D19/69; D19/67**

(58) **Field of Search** D19/65, 67, 68, D19/69, 89, 99, 100; 206/389, 395-398, 411, 415; 225/6, 7, 19, 11, 25, 33, 34-36, 45, 46, 52, 56, 53, 65, 74, 77, 89; 156/327, 527, 523, 577; 242/588, 588.1-588.6, 419.4; 15/104.94

(56) **References Cited**

U.S. PATENT DOCUMENTS

D121,400 S	*	7/1940	Saunders	D19/69
D135,165 S	*	3/1943	Schieman	D19/67
2,400,776 A	*	5/1946	Nordeen et al.	225/74
2,540,697 A	*	2/1951	Staples	225/33 X
2,553,658 A	*	5/1951	Larson	225/11
D190,781 S	*	6/1961	Reinecke	D19/69
D248,561 S		7/1978	Deering, Jr.		
D248,961 S		8/1978	De brey		
4,175,685 A		11/1979	Niles		

D254,556 S		3/1980	Johnson		
D289,180 S		4/1987	Crawford et al.		
D331,072 S		11/1992	Dotterman et al.		
D342,548 S		12/1993	Kirchhoff et al.		
D359,511 S		6/1995	Nash et al.		
D404,430 S		1/1999	Shen		
D430,213 S		8/2000	Huang		
D448,415 S		9/2001	Huang		
6,311,923 B1		11/2001	Tsai		

* cited by examiner

Primary Examiner—Martie K. Holtje

(74) *Attorney, Agent, or Firm*—George W. Jonas

(57) **CLAIM**

The ornamental design for a tape dispenser, as shown and described.

DESCRIPTION

FIG. 1 is a perspective view of the tape dispenser according to the present invention.

FIG. 2 is a side view of the tape dispenser illustrated in FIG. 1.

FIG. 3 is a top view of the tape dispenser illustrated in FIG. 1.

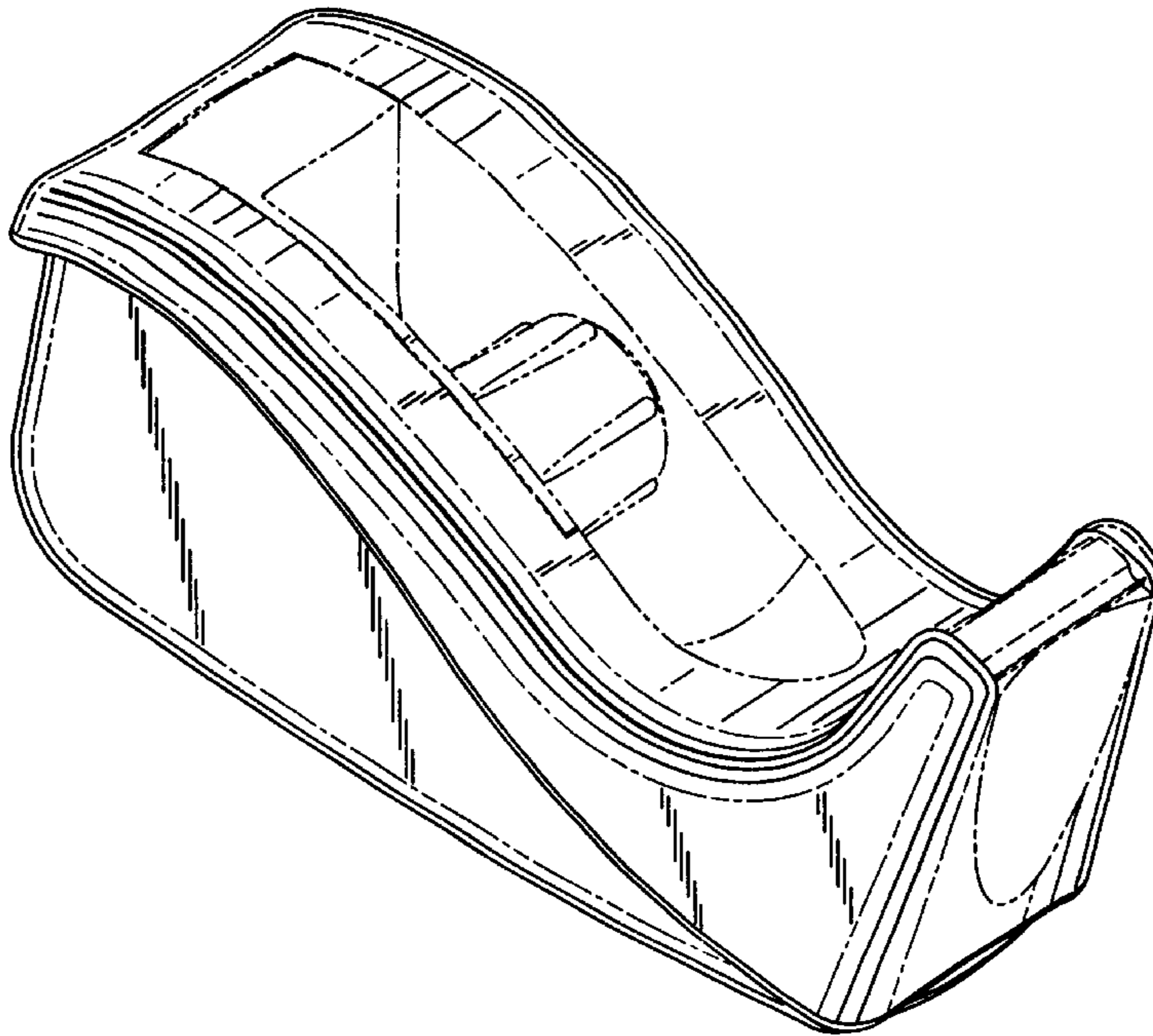
FIG. 4 is a front view of the tape dispenser illustrated in FIG. 1.

FIG. 5 is a bottom view of the tape dispenser illustrated in FIG. 1; and,

FIG. 6 is a back view of the tape dispenser illustrated in FIG. 1.

The structure depicted by means of broken lines in the figures has been shown for illustrative purposes only and forms no part of the claimed design.

1 Claim, 3 Drawing Sheets



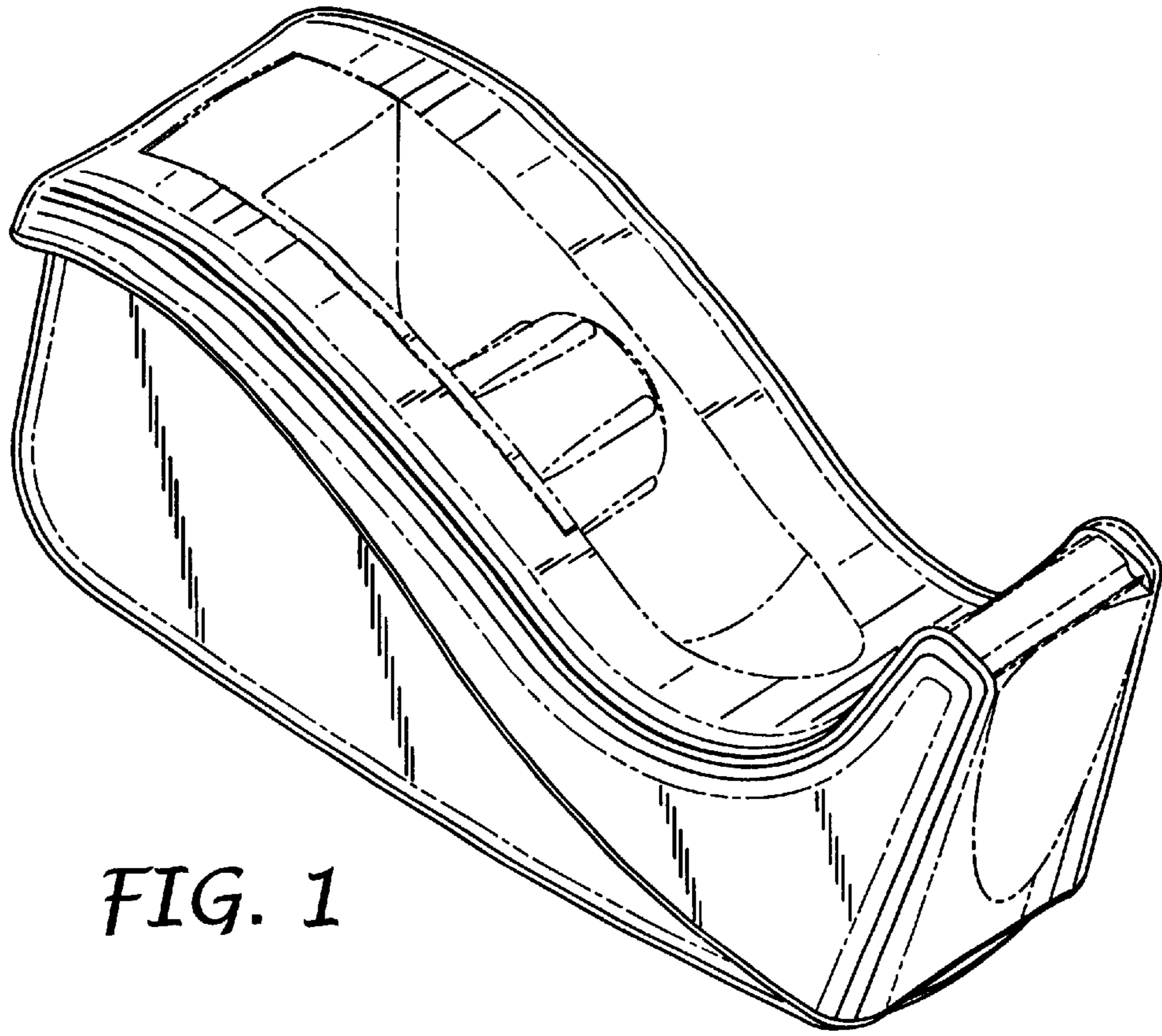


FIG. 1

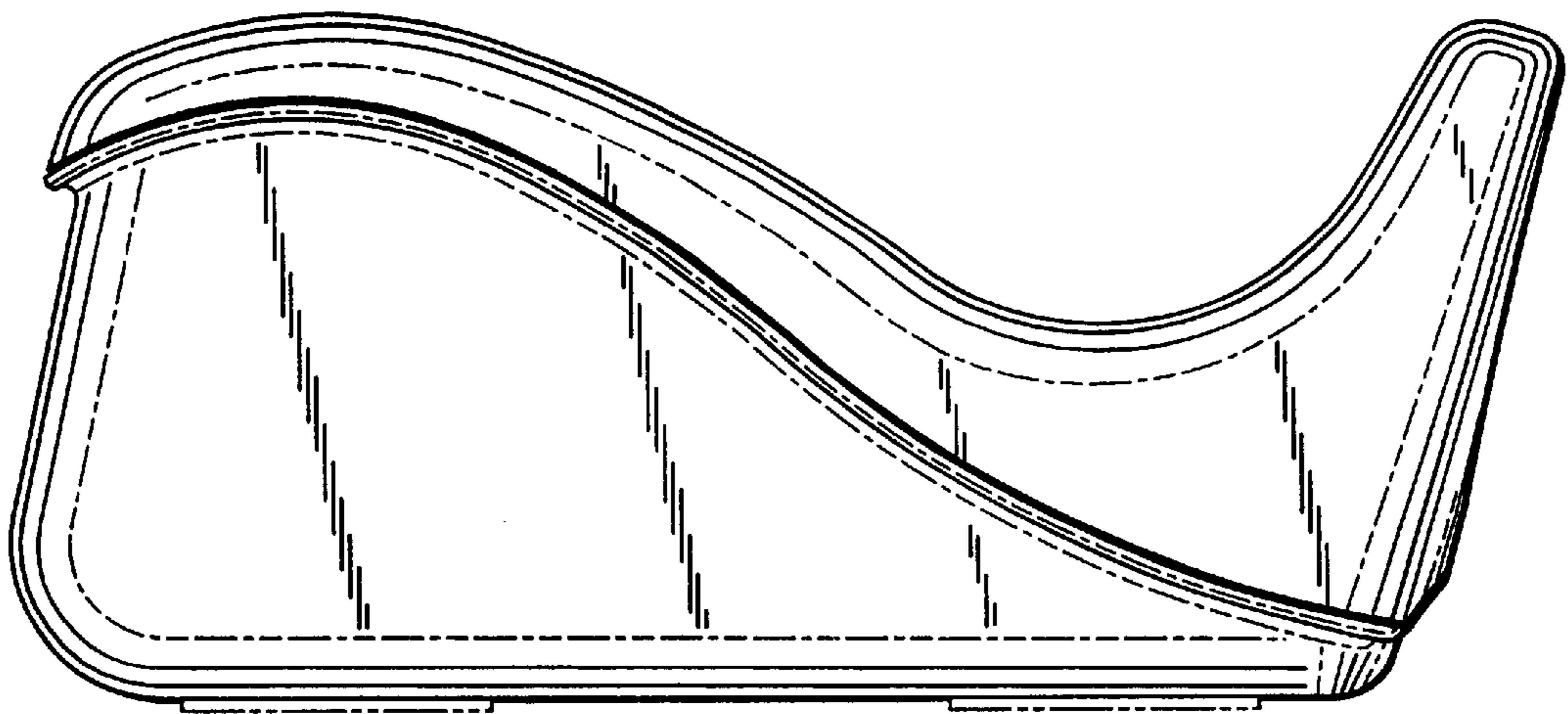


FIG. 2

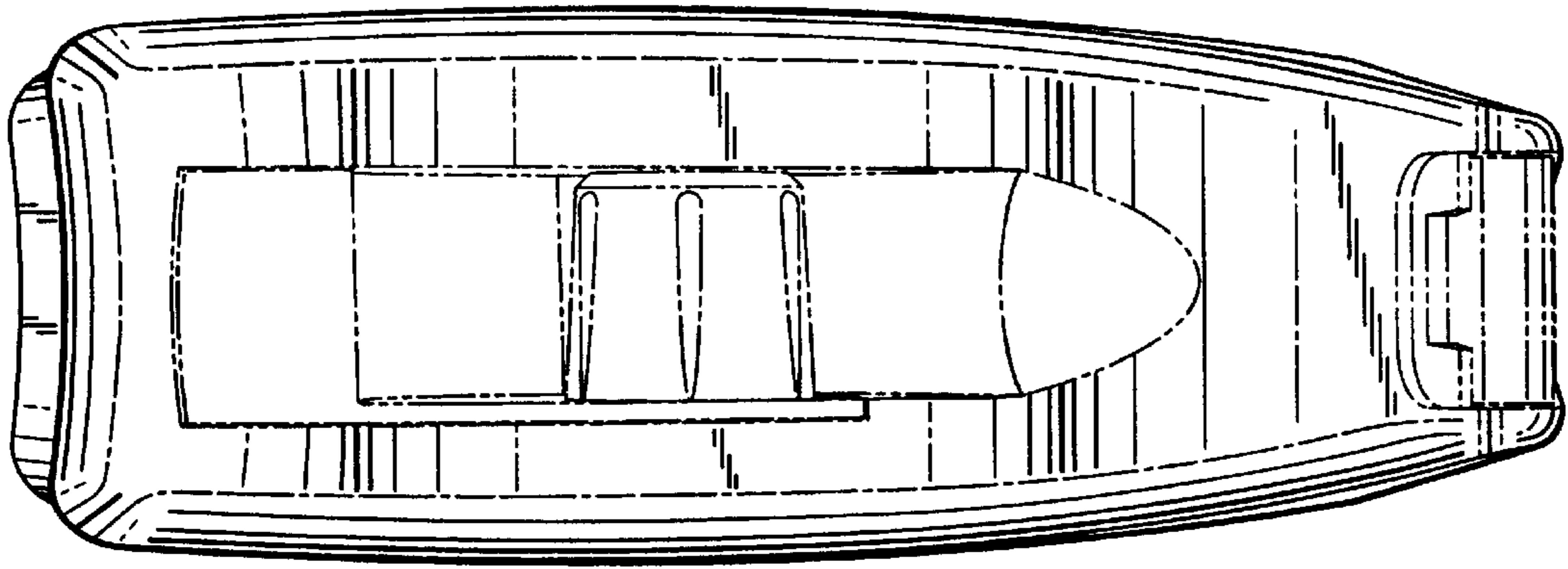


FIG. 3

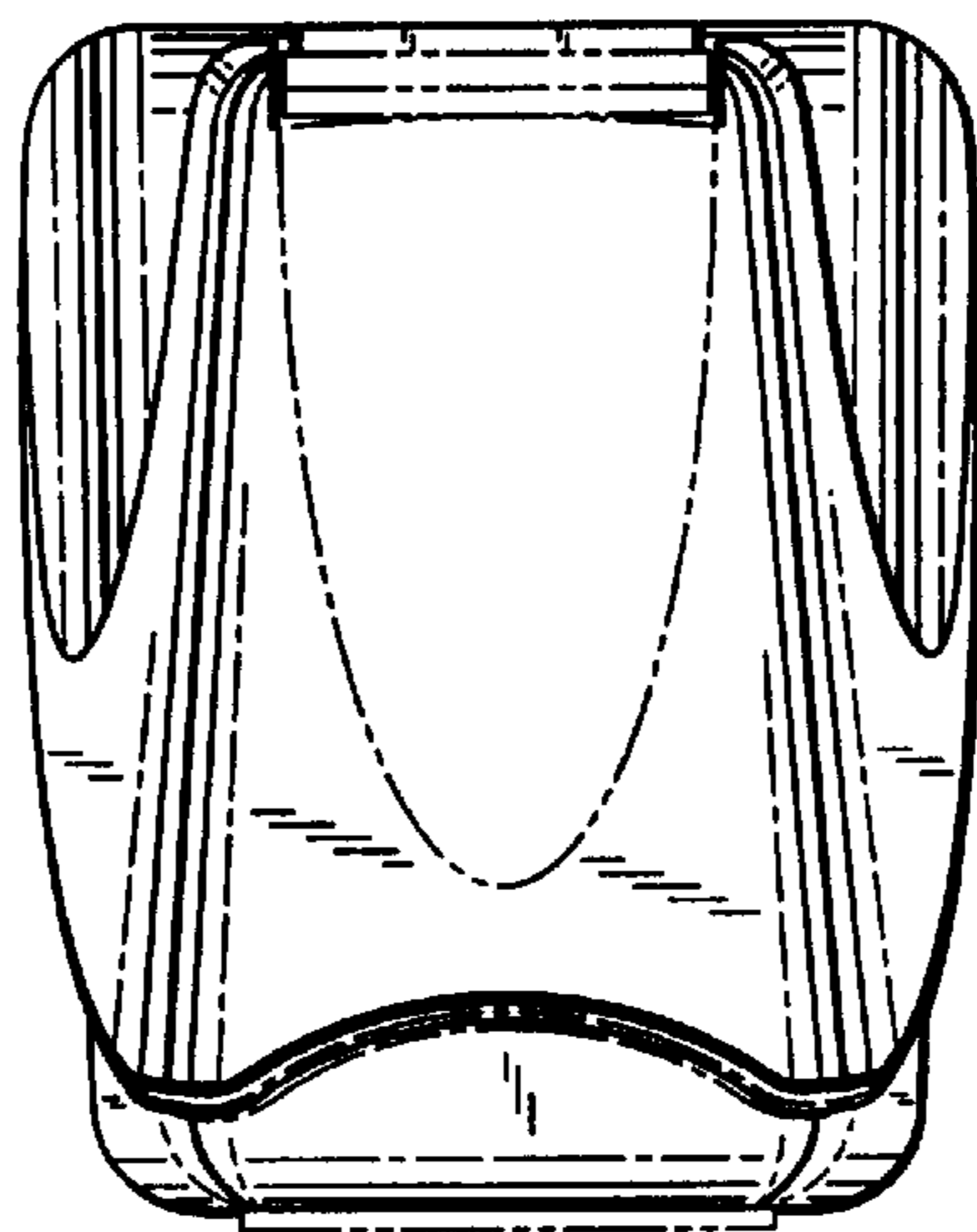


FIG. 4

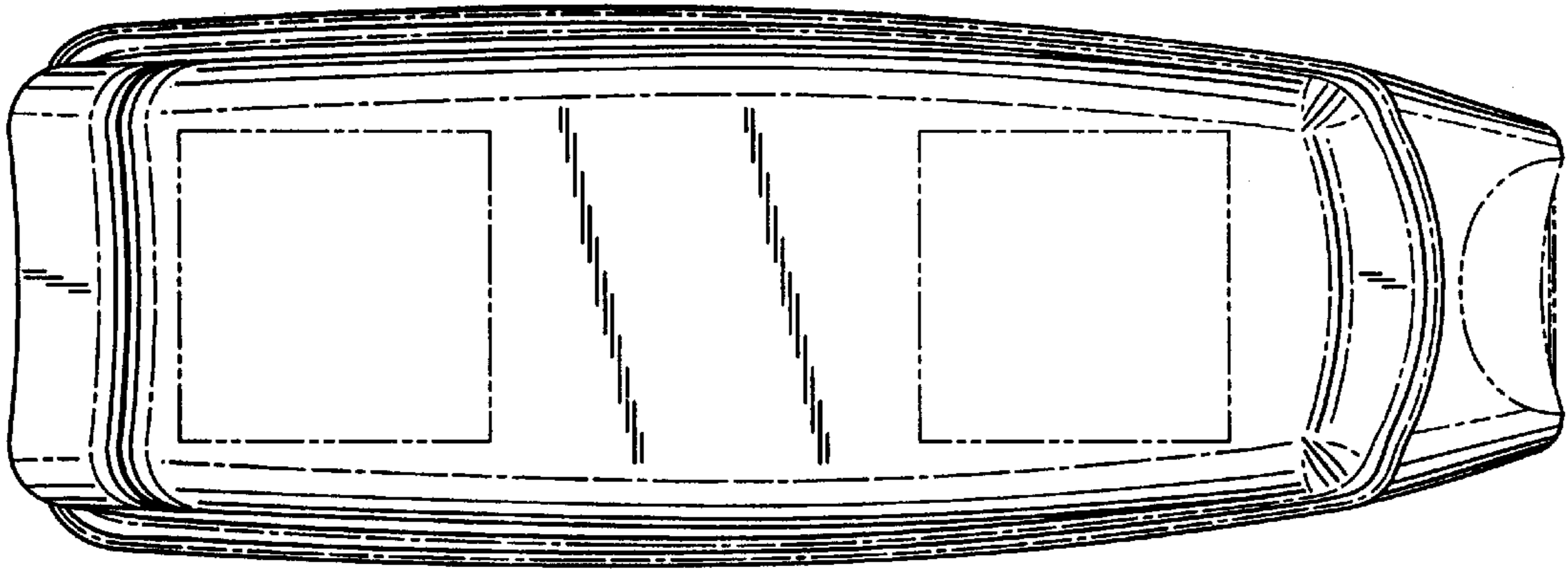


FIG. 5

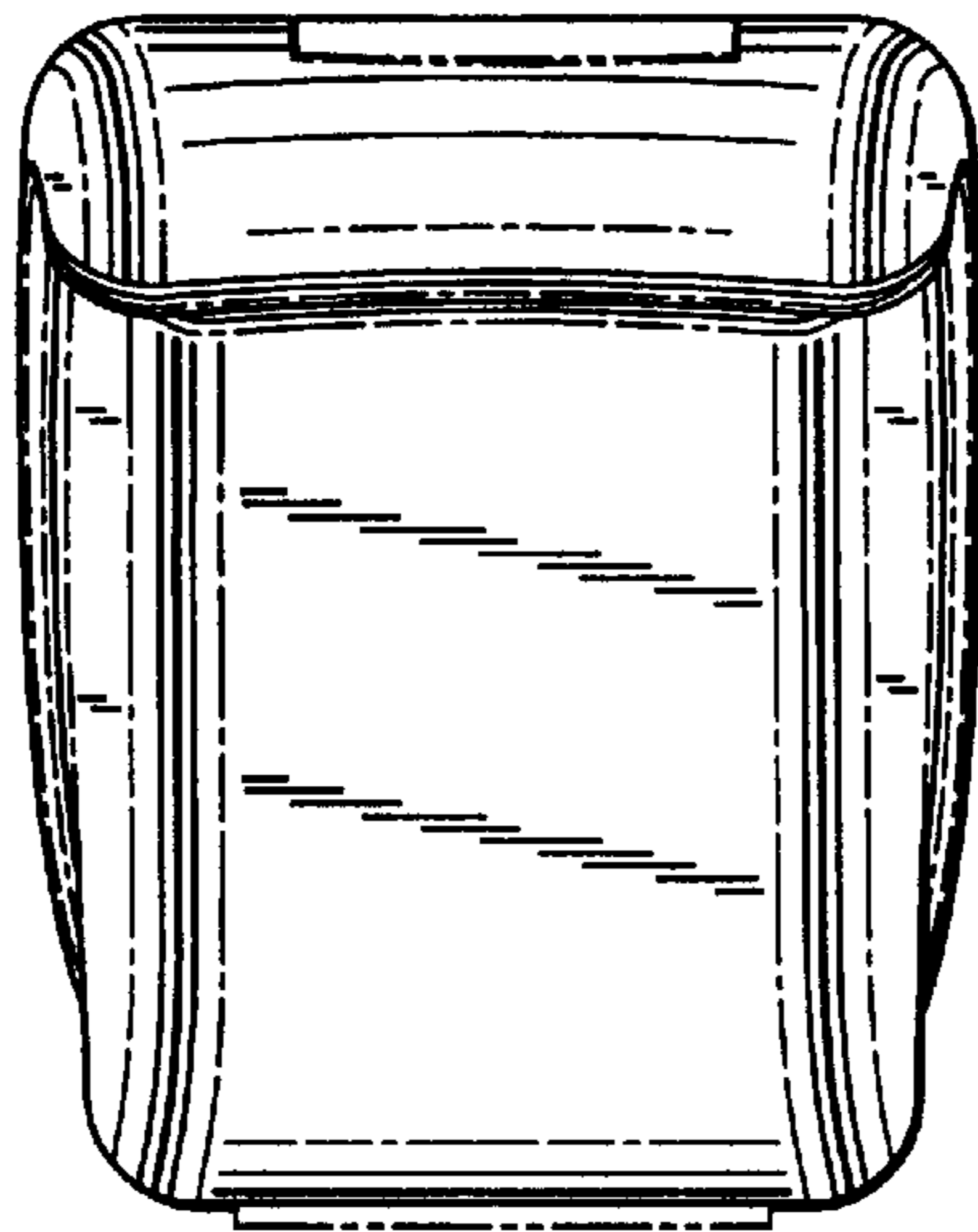


FIG. 6