



US00D486520S

(12) **United States Design Patent**
Sherman et al.

(10) **Patent No.:** **US D486,520 S**

(45) **Date of Patent:** **** Feb. 10, 2004**

(54) **TRANSPARENT HOLDER FOR ADHESIVE TAPE**

(75) Inventors: **Gabriel P. Sherman**, Lake Elmo, MN (US); **Peter A. Ley**, Maplewood, MN (US)

(73) Assignee: **3M Innovative Properties Company**, St. Paul, MN (US)

(**) Term: **14 Years**

(21) Appl. No.: **29/173,966**

(22) Filed: **Jan. 9, 2003**

(51) **LOC (7) Cl.** **19-02**

(52) **U.S. Cl.** **D19/69; D19/67**

(58) **Field of Search** D19/65, 67, 68, D19/69, 89, 99, 100; 206/389, 391, 395-398, 409, 411, 415; 225/6, 7, 19, 25, 21, 34-36, 45, 46, 48, 52, 56, 53, 65, 77, 89; 156/327, 527, 523, 577; 242/588, 588.1, 588.6, 419.4; 15/104.94

(56) **References Cited**

U.S. PATENT DOCUMENTS

2,463,445	A	*	3/1949	Van Cleef	225/21
D175,066	S	*	7/1955	Emmert	D19/69
2,873,014	A	*	2/1959	Lambert	206/391 X
3,102,671	A	*	9/1963	Gershen	225/48
D234,122	S	*	1/1975	Horblitt	D9/415
D263,059	S	*	2/1982	Croyle et al.	D19/69
4,531,634	A	*	7/1985	Jung-Chi	206/391
4,546,879	A	*	10/1985	Viscasillas	206/391
D288,533	S	*	3/1987	Jialanella et al.	D9/415
4,651,910	A	*	3/1987	DeGroot	225/25 X
4,729,518	A		3/1988	Mathna et al.		
5,083,717	A	*	1/1992	Samuelson et al.	242/588.6
D336,492	S		6/1993	Samuelson et al.		

D342,092	S		12/1993	Samuelson et al.		
D342,093	S		12/1993	Samuelson		
5,328,115	A		7/1994	Samuelson et al.		
D415,528	S	*	10/1999	Mandar	D19/69
6,341,691	B1	*	1/2002	Voss	206/397

OTHER PUBLICATIONS

Copy of packaging for 3M Scotch Foam Mounting Tape 4013 (Prod. No. 34-8506-3171-3), offered for sale prior to Jan. 2, 2003, pp. 1.1 and 1.2.

Copy of packaging for 3M Scotch Magic Tape Refill Roll No. 204 (Prod. No. 34-7034-1182-6), offered for sale prior to Jan. 2, 2003 pp. 2.1 and 2.2.

* cited by examiner

Primary Examiner—Martie K. Holtje

(74) *Attorney, Agent, or Firm*—George W. Jonas

(57) **CLAIM**

The ornamental design for a transparent holder for adhesive tape, as shown and described.

DESCRIPTION

FIG. 1 is a perspective view of a transparent holder for adhesive tape according to the present invention.

FIG. 2 is a bottom view of a transparent holder for adhesive tape illustrated in FIG. 1.

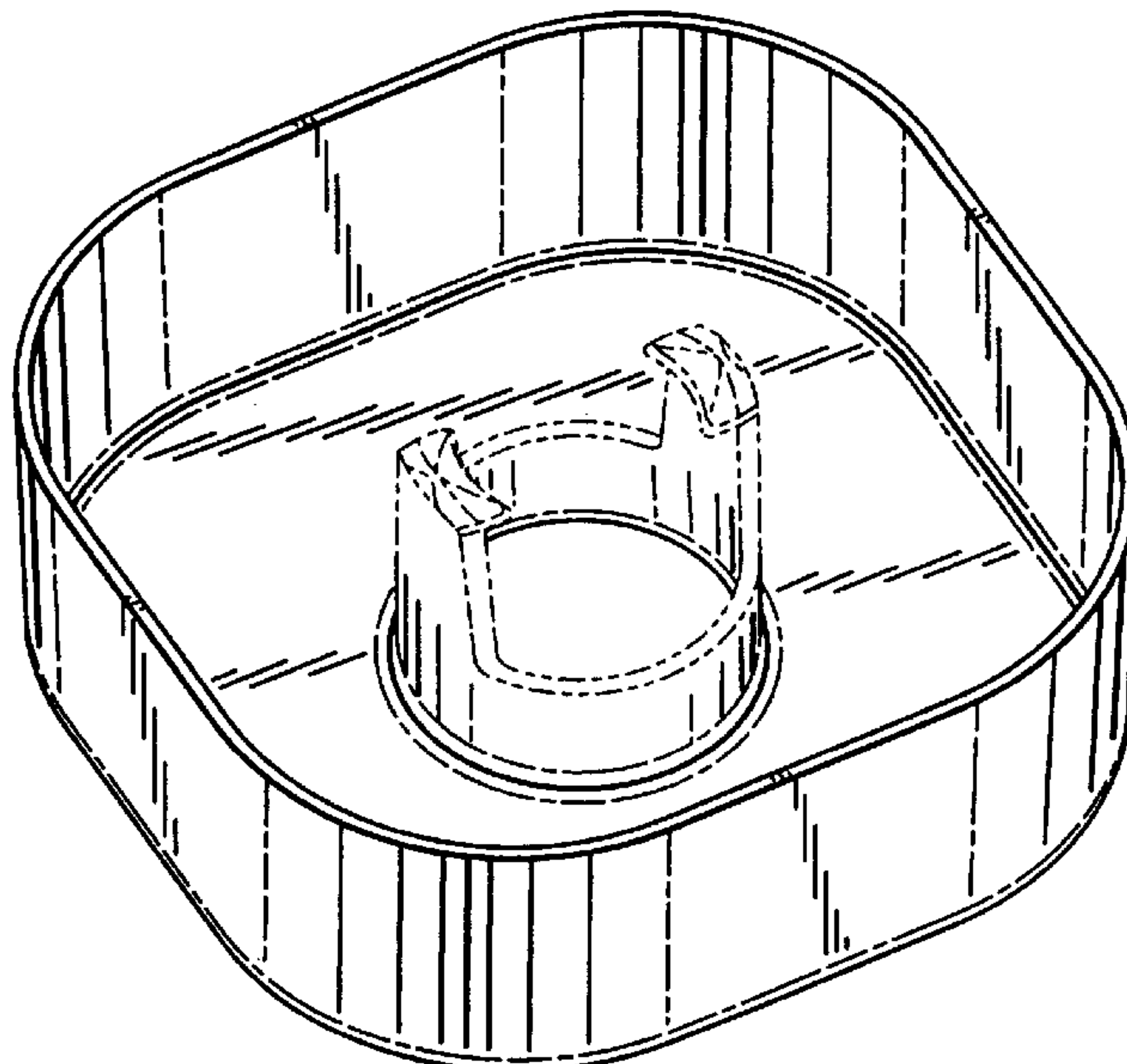
FIG. 3 is a front view of a transparent holder for adhesive tape illustrated in FIG. 1.

FIG. 4 is a top view of a transparent holder for adhesive tape illustrated in FIG. 1; and,

FIG. 5 is a side view of a transparent holder for adhesive tape illustrated in FIG. 1.

The structure depicted by means of broken lines in the figures has been shown for illustrative purposes only and forms no part of the claimed design.

1 Claim, 2 Drawing Sheets



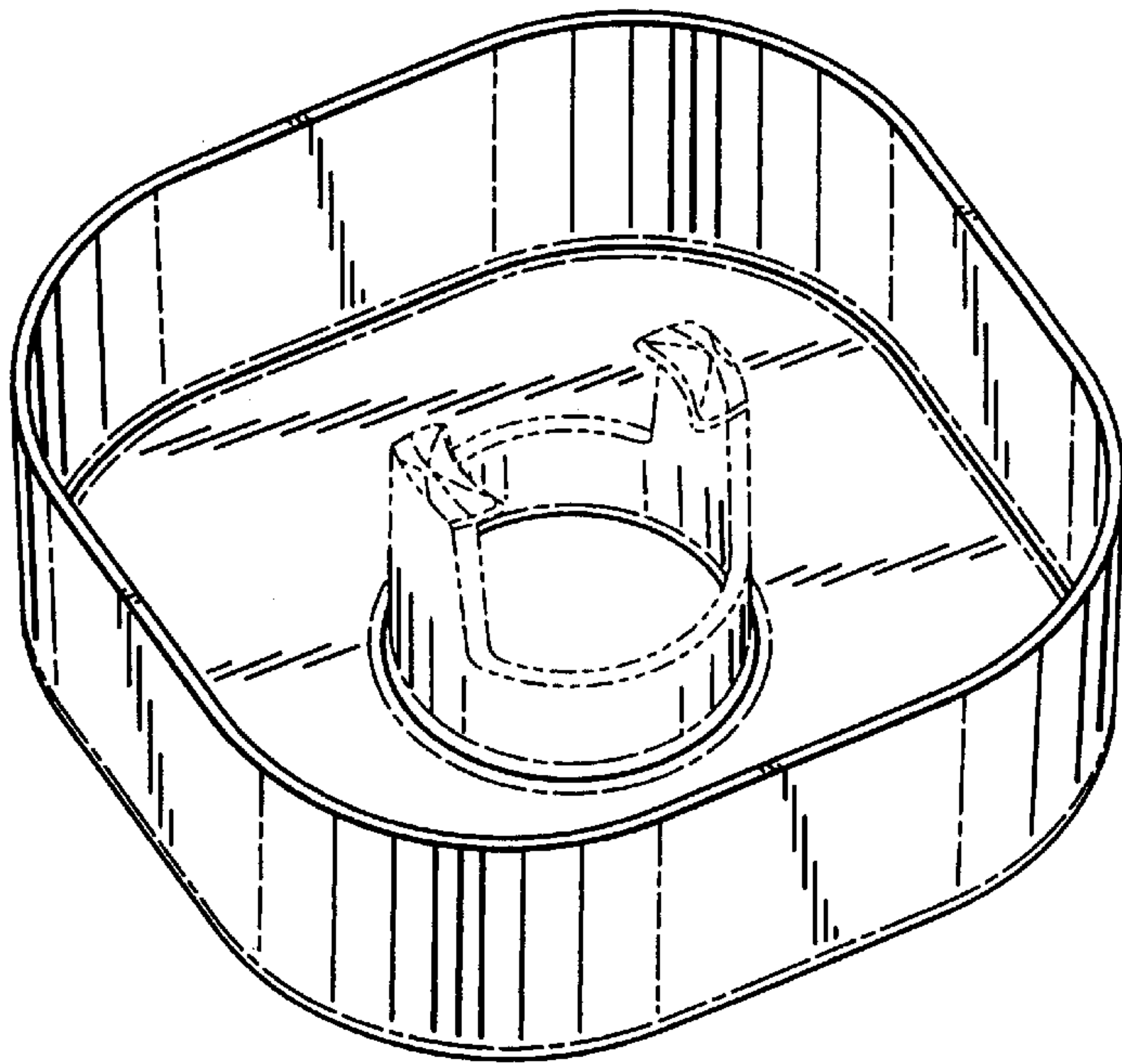


FIG. 1

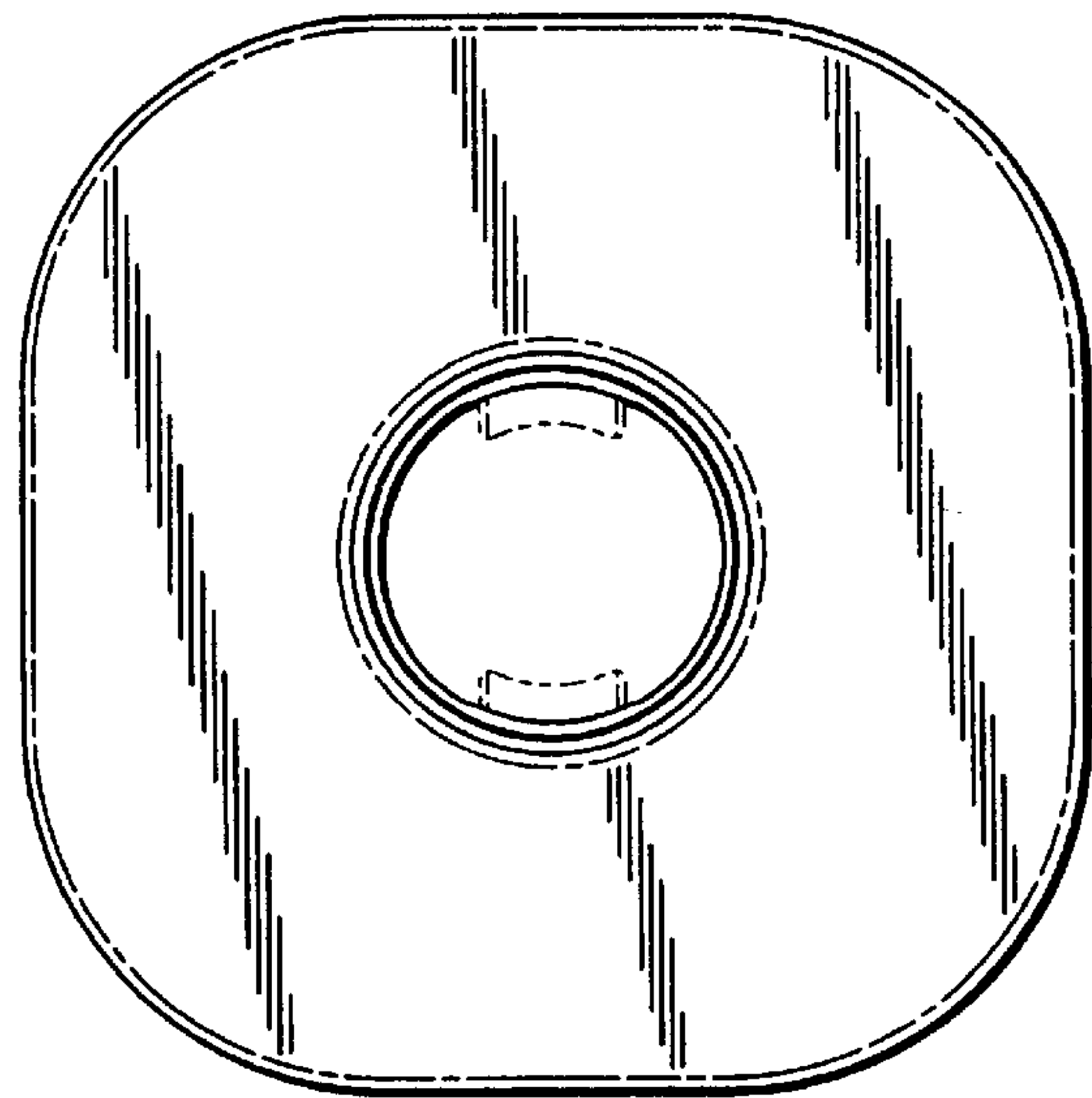


FIG. 2

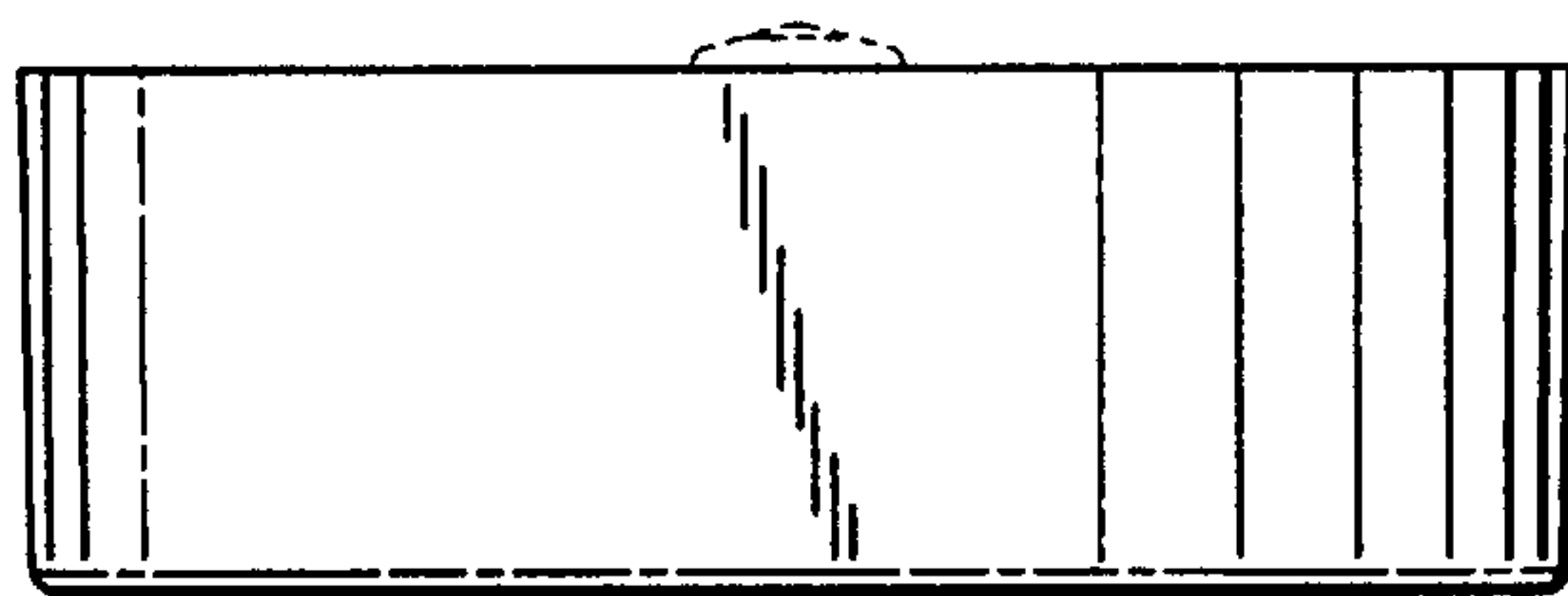


FIG. 3

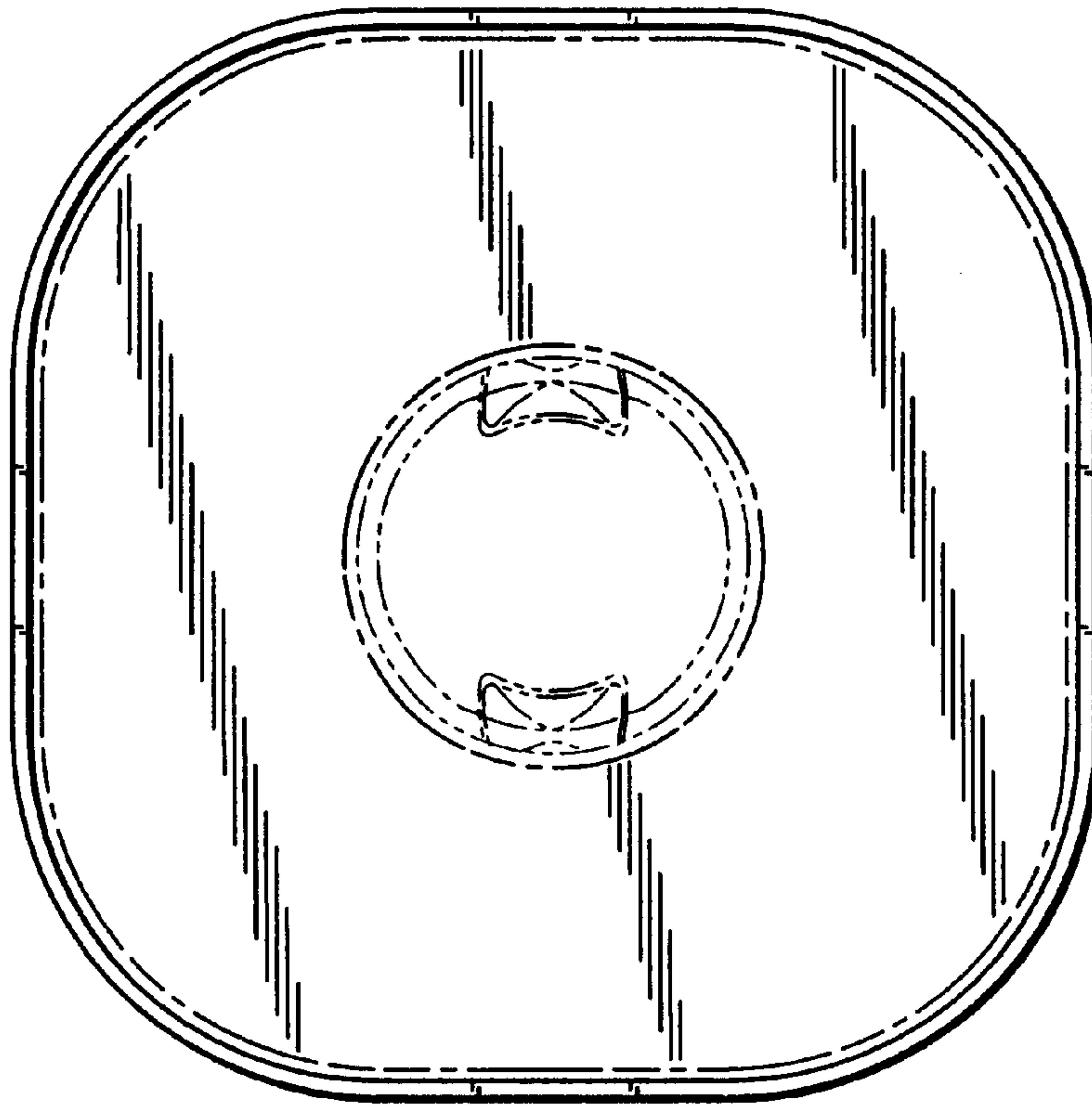


FIG. 4

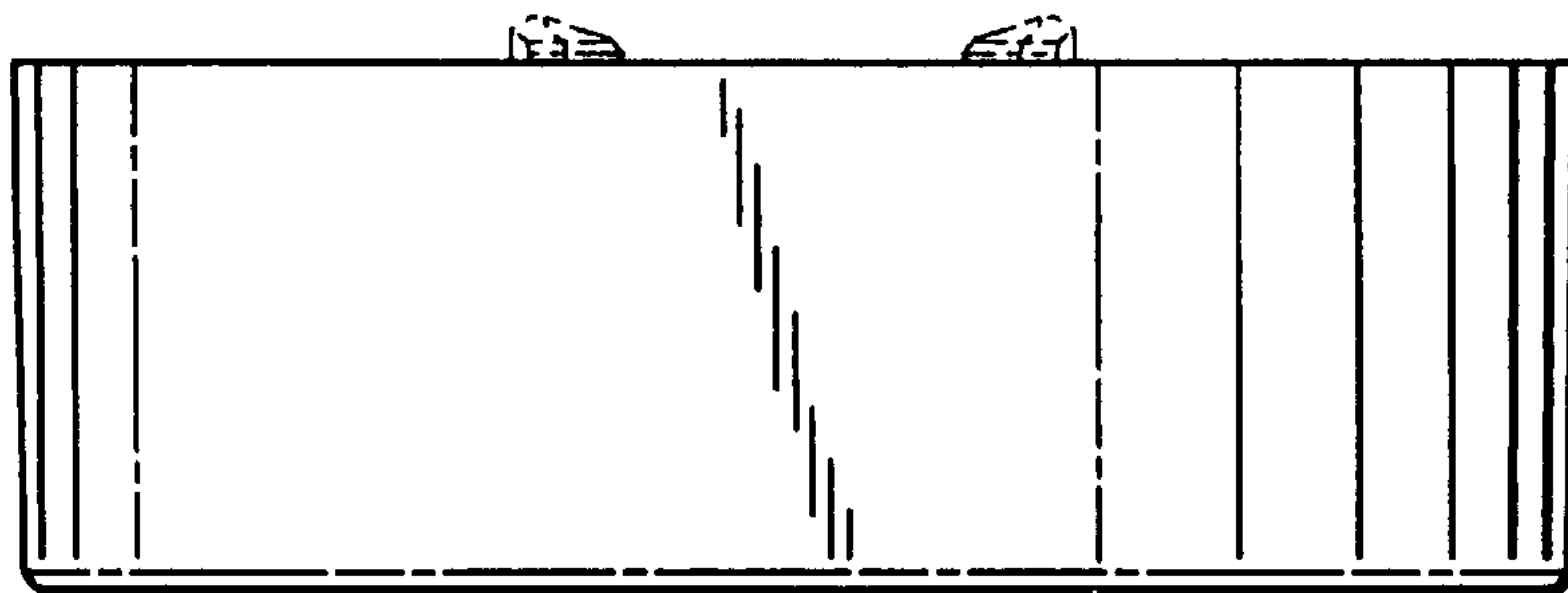


FIG. 5