



US00D486519S

(12) **United States Design Patent**
Hodge

(10) **Patent No.:** **US D486,519 S**

(45) **Date of Patent:** **** Feb. 10, 2004**

(54) **CONTOURED GRIP FOR WRITING INSTRUMENT**

(75) Inventor: **Chris R. Hodge**, Redlands, CA (US)

(73) Assignee: **Benchmark, LLC**, Riverside, CA (US)

(**) Term: **14 Years**

(21) Appl. No.: **29/181,435**

(22) Filed: **May 9, 2003**

(51) **LOC (7) Cl.** **19-06**

(52) **U.S. Cl.** **D19/55; D19/51**

(58) **Field of Search** D19/35, 36, 41-51,
D19/53-55, 56-58, 81-85; 401/6, 7, 88,
99; 434/162

(56) **References Cited**

U.S. PATENT DOCUMENTS

1,376,115	A	*	4/1921	Record	401/6	X
1,421,535	A	*	7/1922	Murdock	401/88	
1,459,517	A	*	6/1923	Sawyer	401/88	
D92,534	S	*	6/1934	Hale	D19/48	
D100,845	S	*	8/1936	Bloser	D19/46	
D338,915	S	*	8/1993	Willat	D19/51	
5,988,909	A	*	11/1999	Luke, Jr. et al.	401/6	

OTHER PUBLICATIONS

Quatro Pen, Style 960, *Perfect Pen Catalog*, at www.perfectline.com, circa 2003-2004.

Styks Pen, Style 950, *Perfect Pen Catalog*, at www.perfectline.com, circa 2003-2004.

Vibe Pen, Style 948, *Perfect Pen Catalog*, at www.perfectline.com, circa 2003-2004.

Flex Pen, Style 9151, *Perfect Pen Catalog*, at www.perfectline.com, circa 2003-2004.

Spirit Pen, Style 9046, *Perfect Pen Catalog*, at www.perfectline.com, circa 2003-2004.

Java Pen, Style 9075, *Perfect Pen Catalog*, at www.perfectline.com, circa 2003-2004.

Cha Cha Pen, Style 9002, *Perfect Pen Catalog*, at www.perfectline.com, circa 2003-2004.

Jazz Pen, Style 935, *Perfect Pen Catalog*, at www.perfectline.com, circa 2003-2004.

Twist Pen, Style 927, *Perfect Pen Catalog*, at www.perfectline.com, circa 2003-2004.

Jazz Flag Pen Style 935 FLA, *Perfect Pen Catalog*, at www.perfectline.com, circa 2003-2004.

* cited by examiner

Primary Examiner—Martie K. Holtje

(74) *Attorney, Agent, or Firm*—Thompson Coburn LLP

(57) **CLAIM**

The ornamental design for a contoured grip for writing instrument, as shown and described.

DESCRIPTION

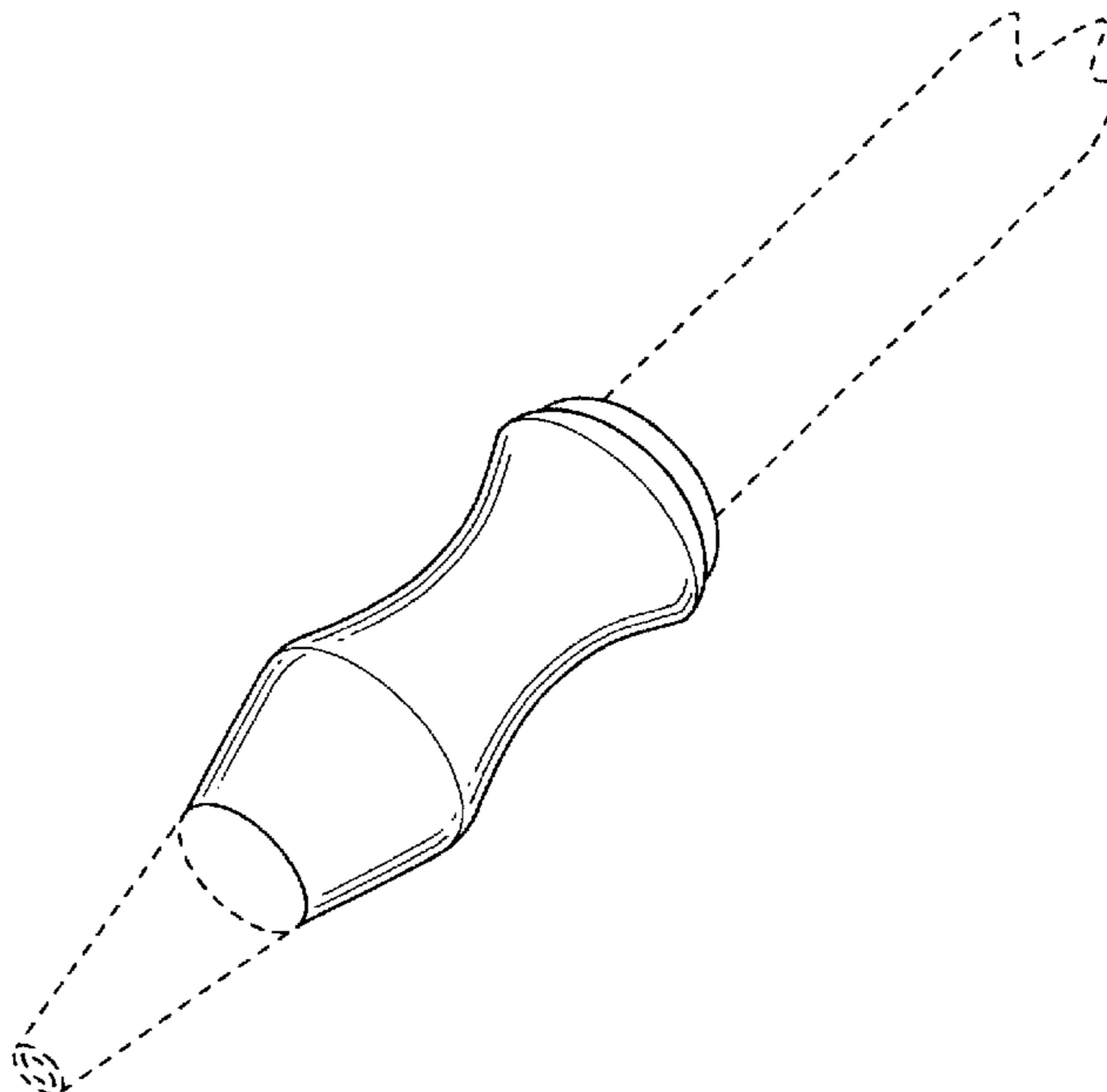
FIG. 1 is a perspective view of a contoured grip of the present invention showing my new design;

FIG. 2 is a right side elevational view of the contoured grip of FIG. 1, the left side elevational view being a mirror image thereof, and the top and bottom plan views being the same; and,

FIG. 3 is a front elevational view of the contoured grip of FIG. 1.

Broken lines appearing in the Figures are for illustrative purposes only. They are intended to disclose the environment related to the claimed design and to define the bounds of the claim, but are not intended to be part of the claimed design. The rear elevational view forms no part of the claim design.

1 Claim, 1 Drawing Sheet



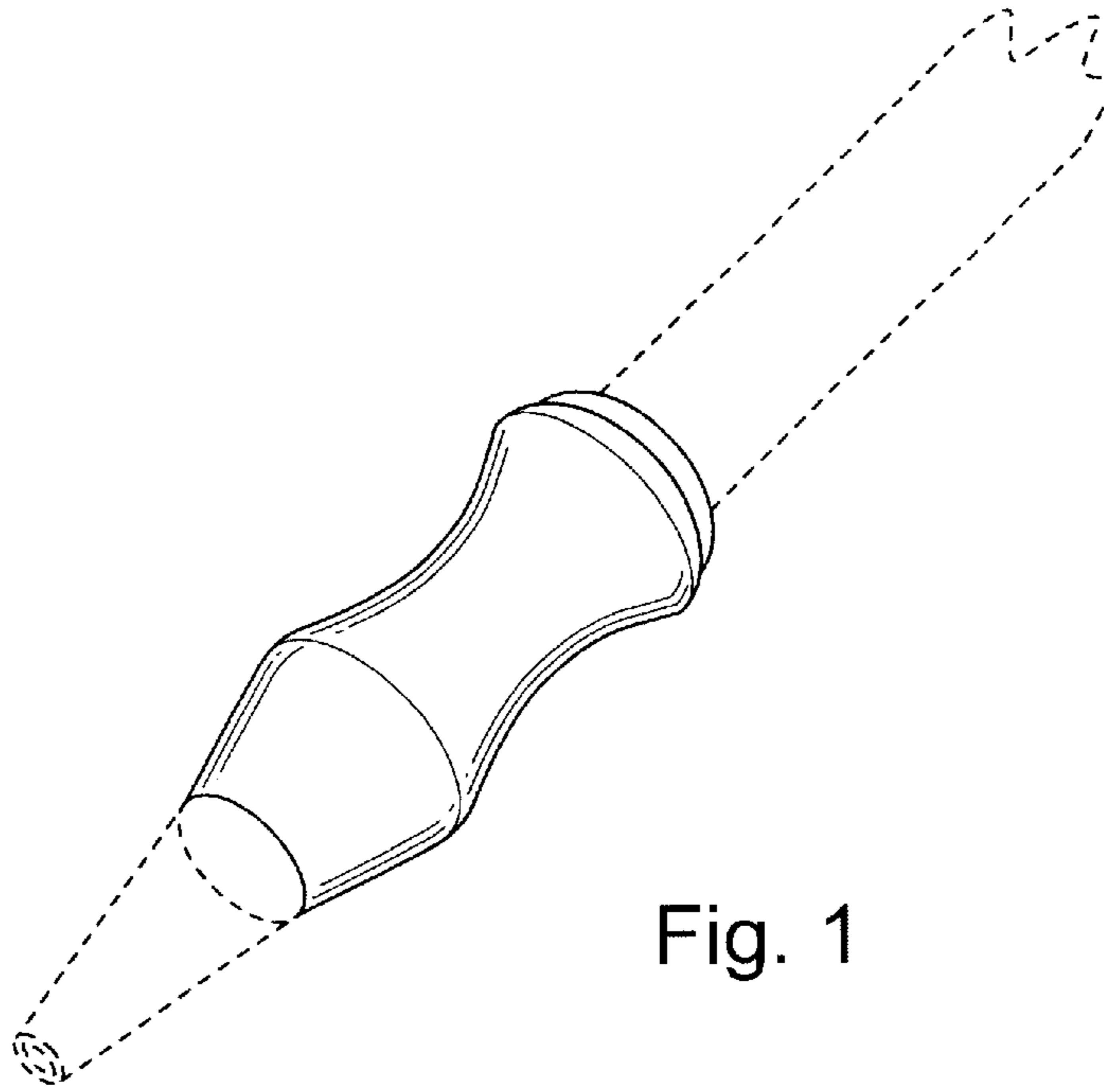


Fig. 1

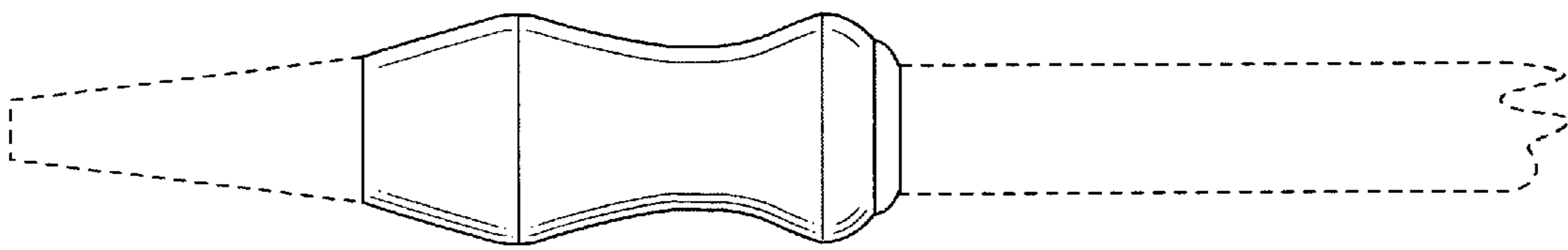


Fig. 2

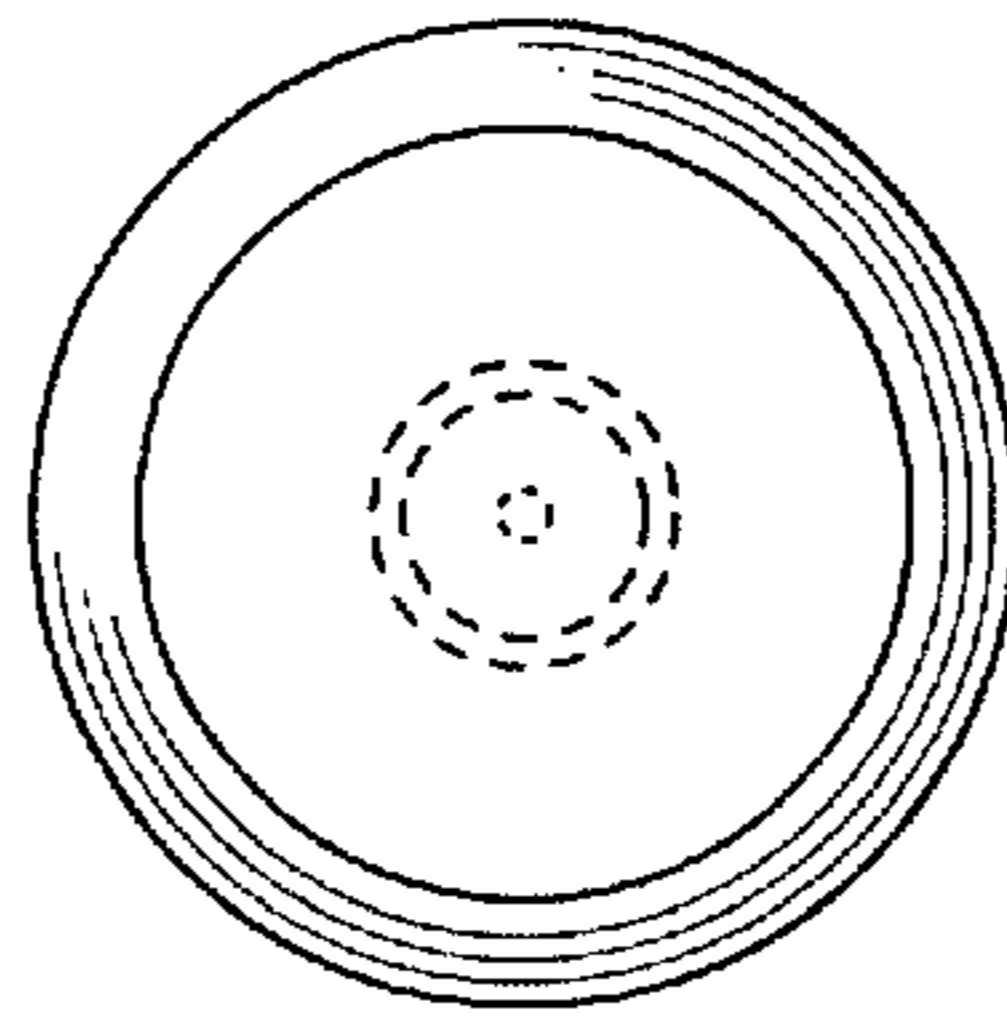


Fig. 3