



US00D486518S

(12) **United States Design Patent**  
**Africa et al.**

(10) **Patent No.: US D486,518 S**

(45) **Date of Patent: \*\* Feb. 10, 2004**

(54) **BINDER, NOTEBOOK OR PORTFOLIO WITH FRONT COVER STRUCTURE**

(75) Inventors: **Thomas Joseph Africa**, Lebanon, OH (US); **J. Michael Tims**, Kettering, OH (US)

(73) Assignee: **MeadWestvaco Corporation**, Stamford, CT (US)

(\*\*) Term: **14 Years**

(21) Appl. No.: **29/183,646**

(22) Filed: **Jun. 13, 2003**

(51) **LOC (7) Cl. .... 19-04**

(52) **U.S. Cl. .... D19/27; D3/303; D19/26**

(58) **Field of Search** ..... D3/247, 252, 301, D3/303, 900; 150/136; D19/26, 27, 28, 32, 33; 281/15.1, 3.1, 4, 19.1, 19.2, 21.1, 27.1-27.3, 28, 29, 30, 31, 32, 35, 38, 44, 51; 402/31-36, 69, 73, 74, 75-79, 80 R, 80 P, 500-503

(56) **References Cited**

**U.S. PATENT DOCUMENTS**

818,202 A	*	4/1906	Sweet	.....	281/31
D227,619 S	*	7/1973	Osher	.....	D19/27
4,126,168 A	*	11/1978	Ganz et al.	.....	150/136
D303,809 S	*	10/1989	Klein	.....	D19/27

D312,350 S	*	11/1990	Diaz	.....	D3/230
D323,528 S	*	1/1992	Anderson	.....	D19/27
D339,821 S	*	9/1993	Ohnishi	.....	D19/26
5,275,438 A	*	1/1994	Struhl	.....	281/31
D351,619 S	*	10/1994	Struhl	.....	D19/26
5,676,482 A	*	10/1997	Hawkins	.....	402/79
D393,656 S	*	4/1998	Bear et al.	.....	D19/26

\* cited by examiner

*Primary Examiner*—Martie K. Holtje

(74) *Attorney, Agent, or Firm*—Thompson Hine LLP

(57) **CLAIM**

The ornamental design for a binder, notebook or portfolio with front cover structure, as shown and described.

**DESCRIPTION**

FIG. 1 is a front perspective of one embodiment of the binder, notebook or portfolio with front cover structure of the present invention;

FIG. 2 is a front view thereof;

FIG. 3 is a left end view thereof;

FIG. 4 is a right end view thereof;

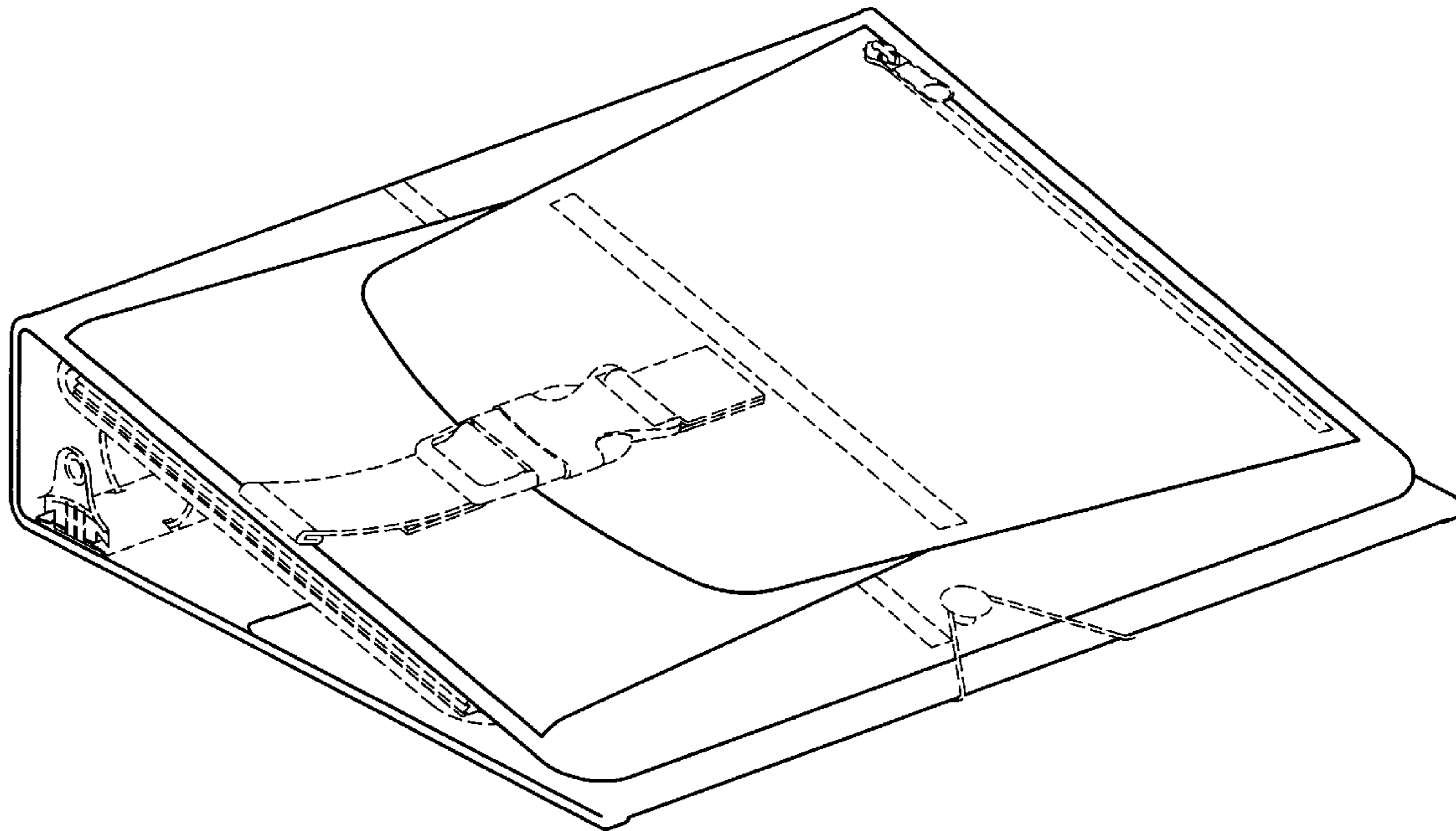
FIG. 5 is a top end view thereof;

FIG. 6 is bottom end view thereof; and,

FIG. 7 is a rear view thereof.

The broken lines are for illustrative purposes only, and do not constitute any part of the claimed design.

**1 Claim, 5 Drawing Sheets**



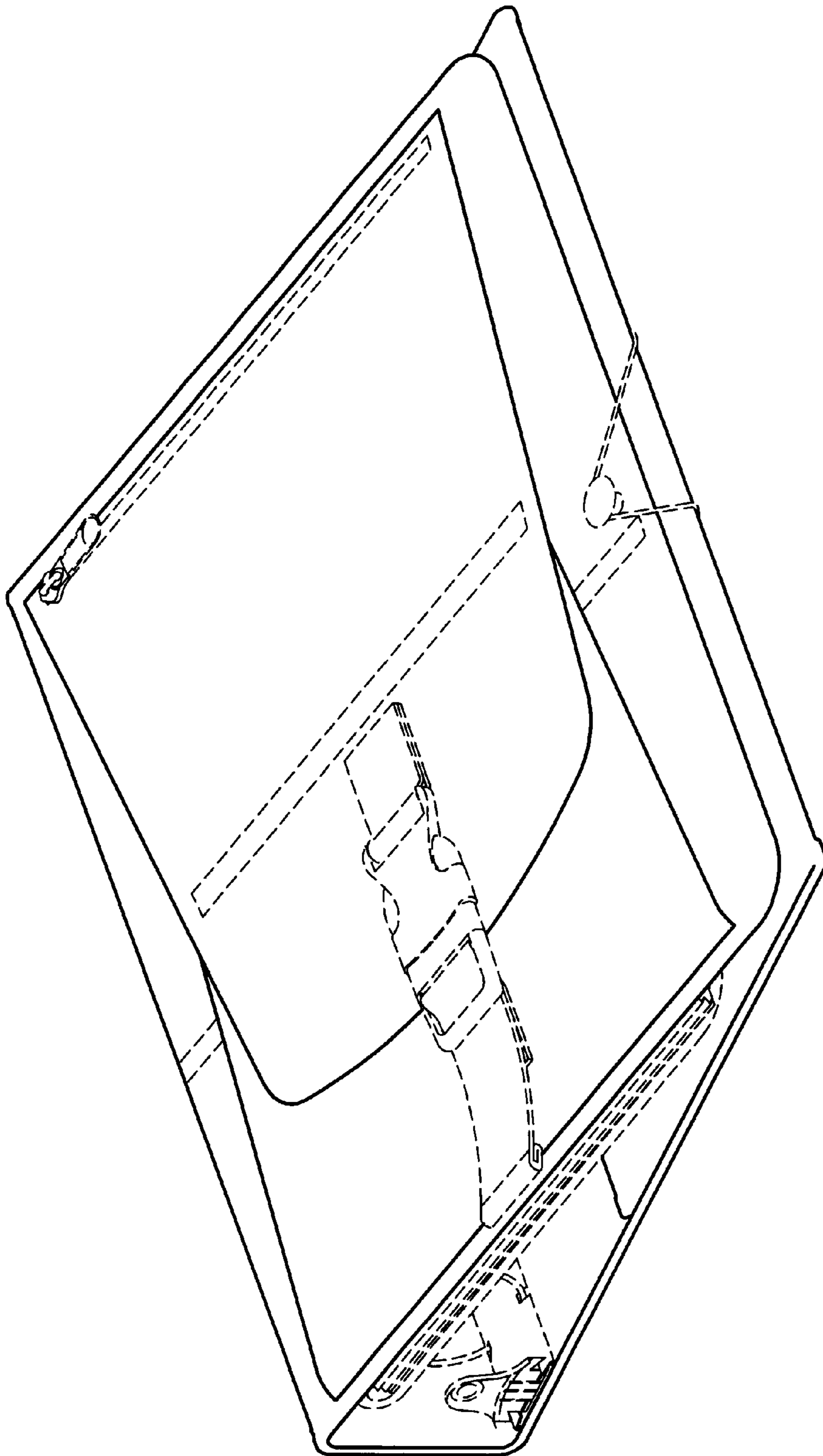


FIG. 1

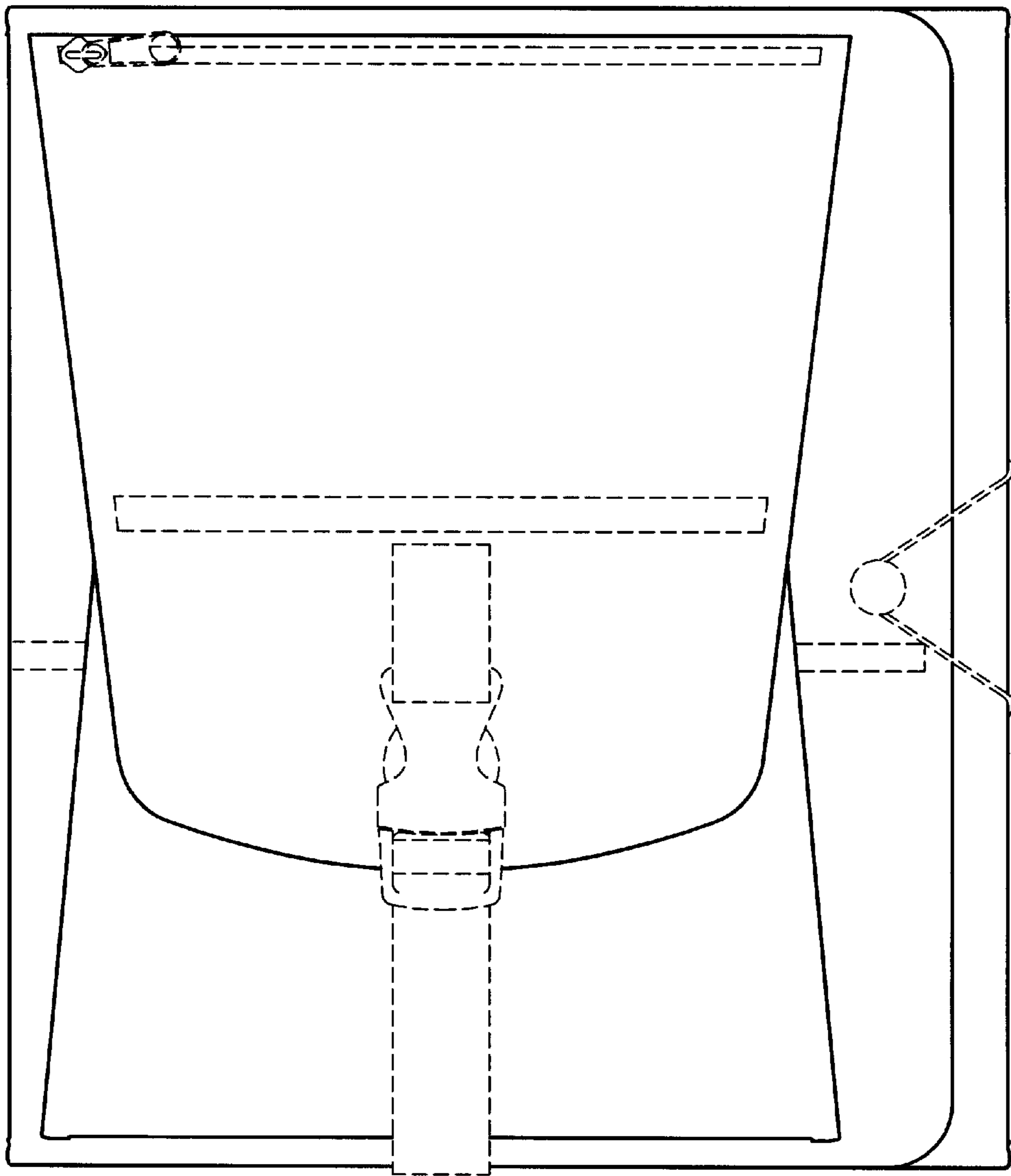


FIG. 2

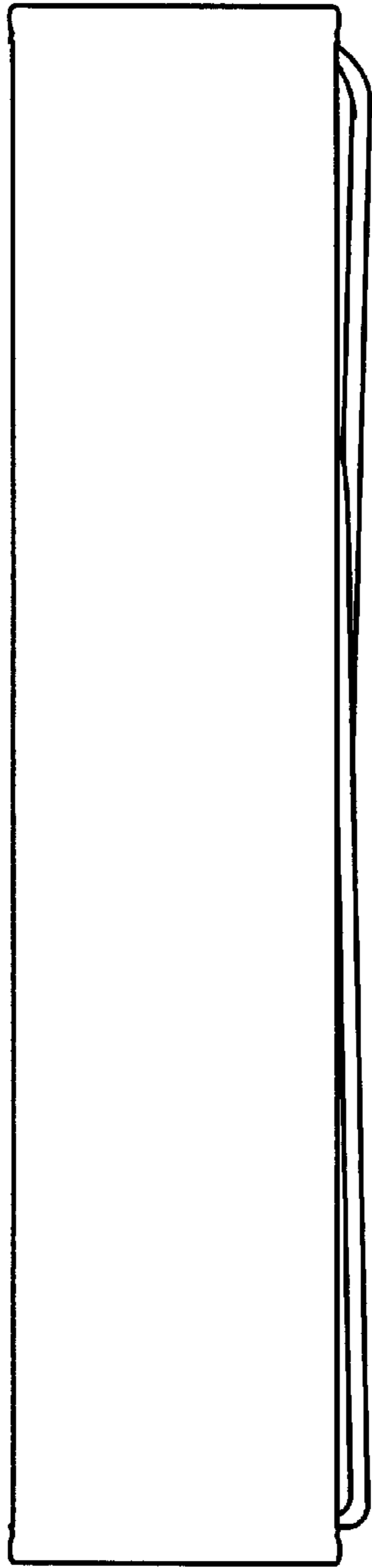


FIG. 3

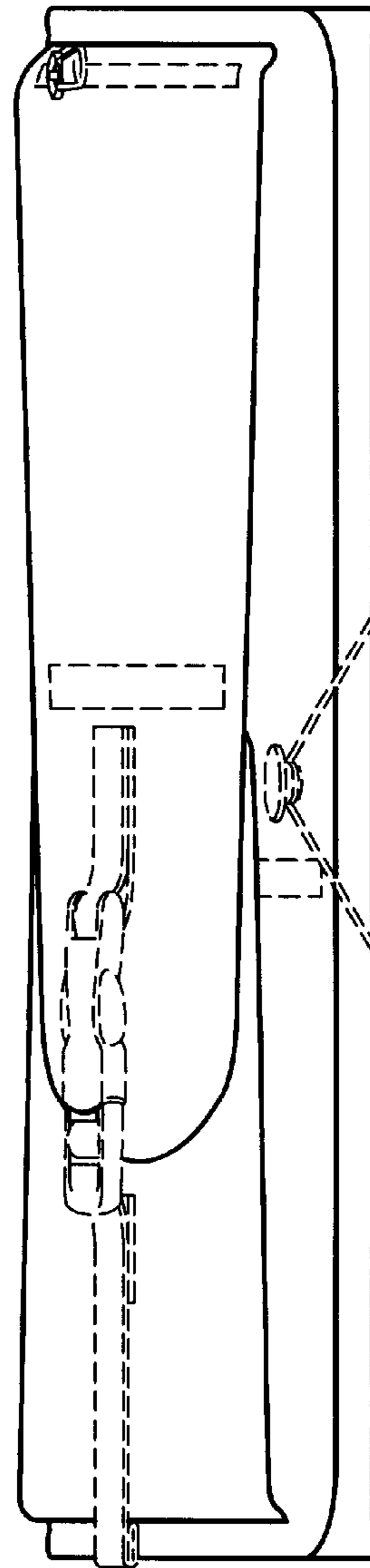


FIG. 4

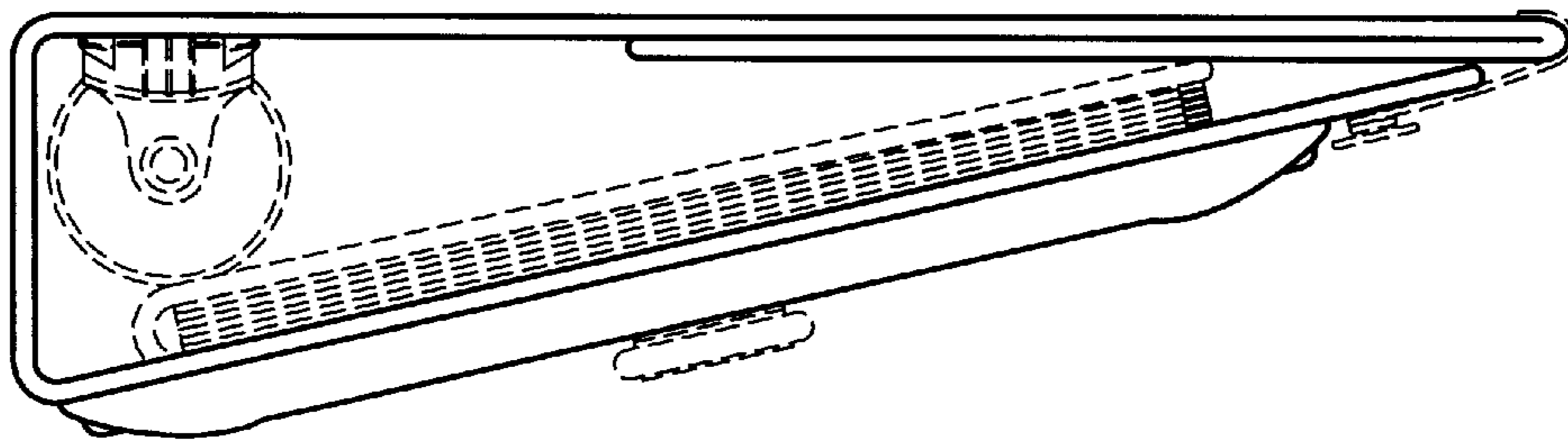


FIG. 5

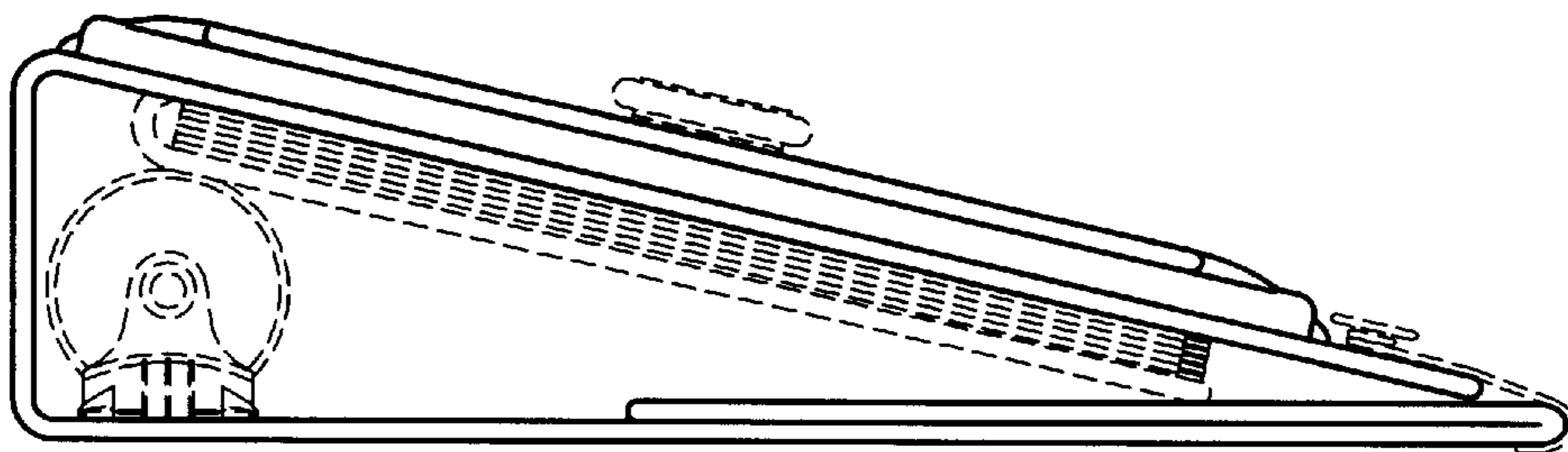


FIG. 6

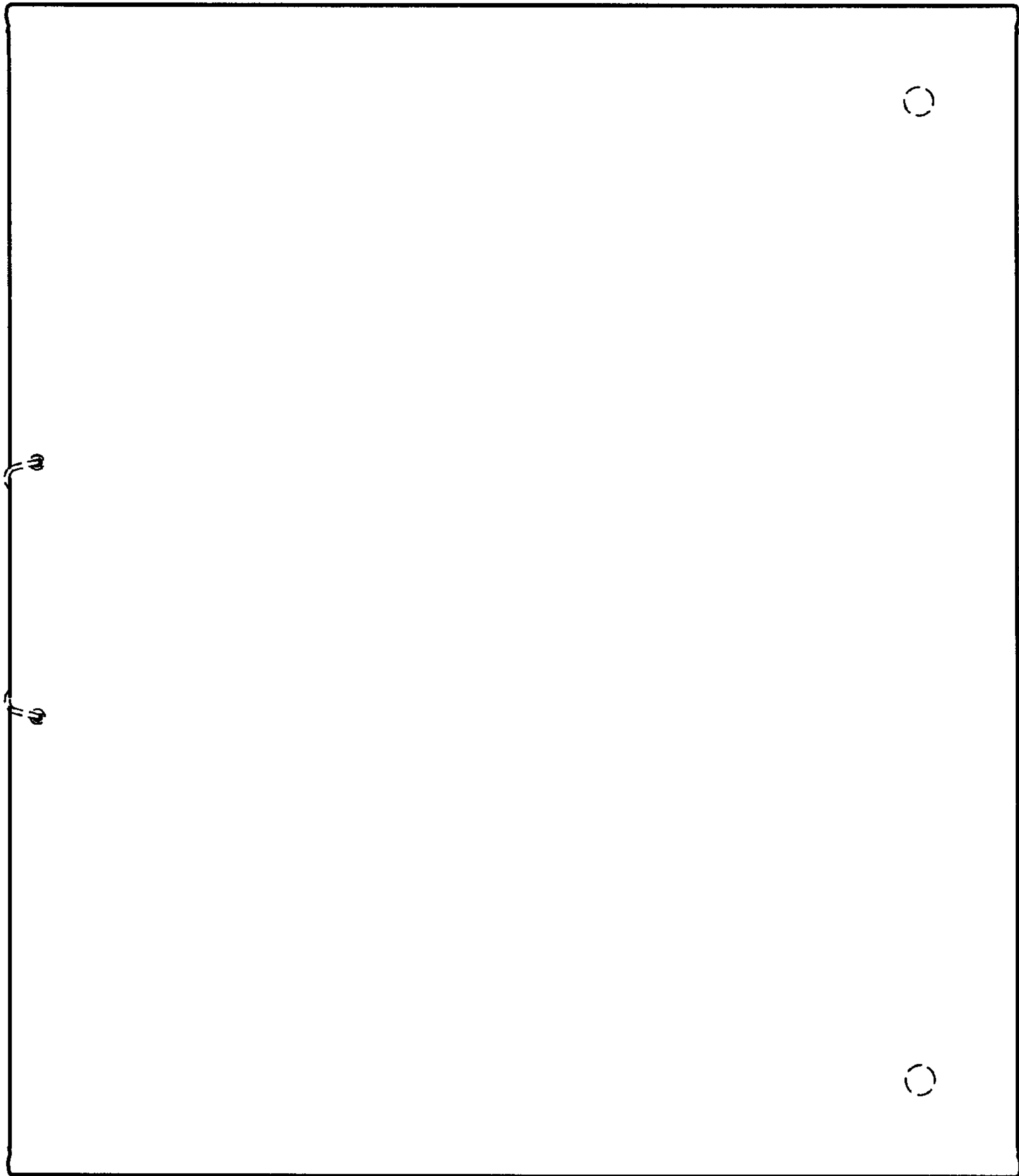


FIG. 7