



US00D486514S

(12) **United States Design Patent**
Oba

(10) **Patent No.:** **US D486,514 S**

(45) **Date of Patent:** **** Feb. 10, 2004**

(54) **PRINTER**

(75) Inventor: **Haruo Oba**, Tokyo (JP)

(73) Assignee: **Sony Corporation**, Tokyo (JP)

(**) Term: **14 Years**

(21) Appl. No.: **29/164,697**

(22) Filed: **Jul. 31, 2002**

(51) **LOC (7) Cl.** **14-02**

(52) **U.S. Cl.** **D18/50**

(58) **Field of Search** D18/36-39, 50,
D18/54-55; D14/462-470, 420-431; 400/613,
613.1-613.4, 691-694, 690.1-690.4

(56) **References Cited**

U.S. PATENT DOCUMENTS

D369,148 S	*	4/1996	Chen et al.	D14/422
D382,256 S	*	8/1997	Lin	D14/422
D424,610 S	*	5/2000	Scarton et al.	D18/55
D432,164 S	*	10/2000	Benedetto	D18/55
6,152,630 A	*	11/2000	Scarton et al.	400/642
D443,889 S	*	6/2001	Yamano et al.	D18/50
D450,345 S		11/2001	Miyazaki		
D466,922 S	*	12/2002	Tashiro	D18/54

FOREIGN PATENT DOCUMENTS

JP	1043626 S	7/1999
JP	1088459 S	10/2000
JP	1129462 S	12/2001
JP	1150353	6/2002

OTHER PUBLICATIONS

Web page "PrintFan with Pop Egg," <http://www.sony.jp/products/Consumer/popegg/printer.html>, 1 sheet, Sony (Mar. 2002).

Web page "Sakuraya Nets/Epson PM-830C," <http://www.sakuraya.co.jp/cgi-bin/inetc...ct/detail.jsp?OID=80018&pointcash=point>, 1 sheet, Sakuraya (Apr. 2002).

Web page "Sakuraya Nets/HP Deskjet 957C," <http://www.sakuraya.co.jp/cgi-bin/inetc...ct/detail.jsp?OID=36902&pointcash=point>," 1 sheet, Sakuraya (Apr. 2002).

* cited by examiner

Primary Examiner—Cathy Anne MacCormac

(74) *Attorney, Agent, or Firm*—Rader, Fishman & Grauer PLLC

(57) **CLAIM**

The ornamental design for a printer, as shown and described.

DESCRIPTION

FIG. 1 is a perspective view of a printer showing my new design;

FIG. 2 is a front elevational view thereof;

FIG. 3 is a rear elevational view thereof;

FIG. 4 is a left side elevational view thereof;

FIG. 5 is a right side elevational view thereof;

FIG. 6 is a top plan view thereof; and,

FIG. 7 is a bottom plan view thereof.

The broken lines are for purposes of illustration only and form no part of the claimed design.

1 Claim, 4 Drawing Sheets

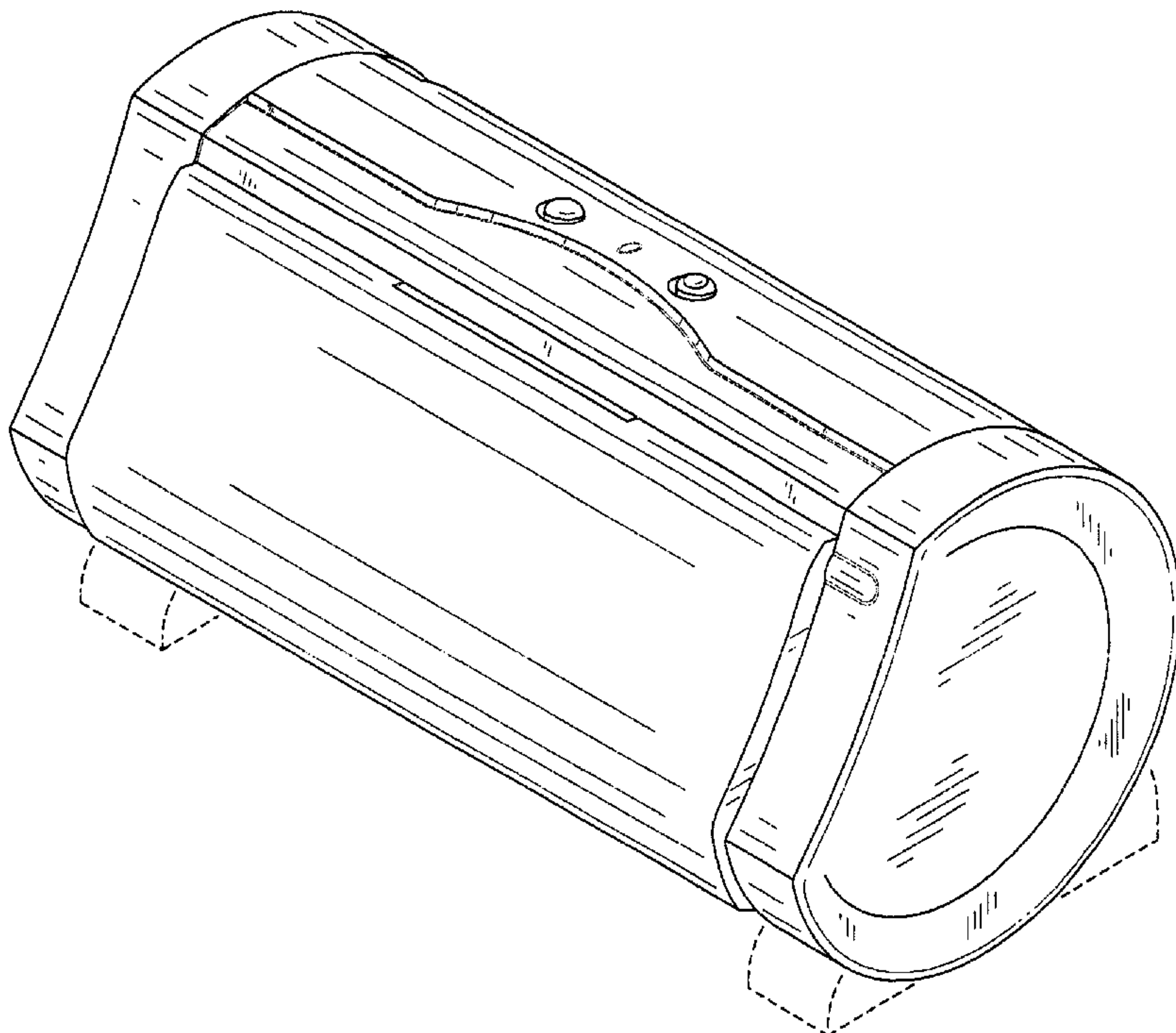


FIG. 1

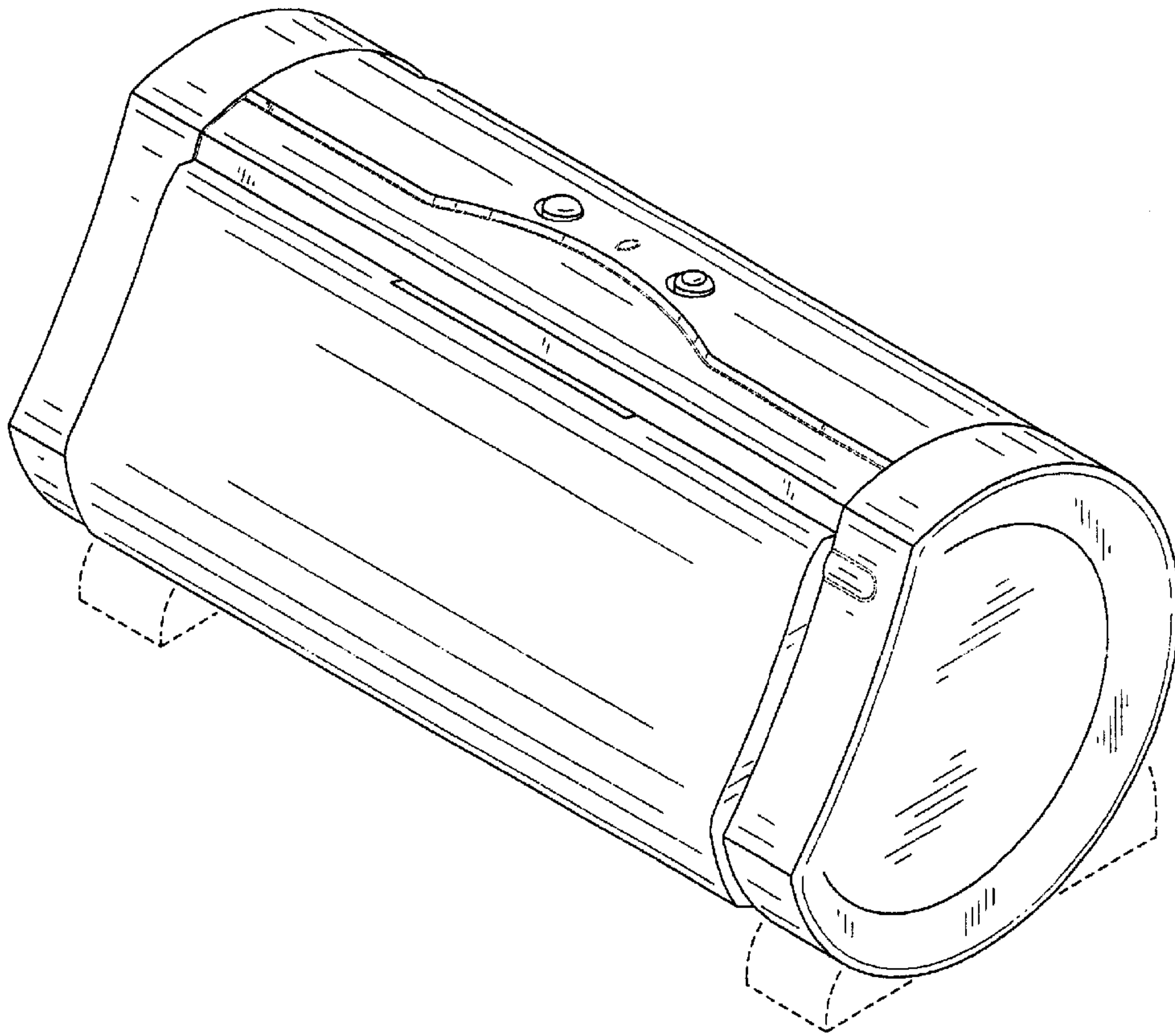


FIG.2

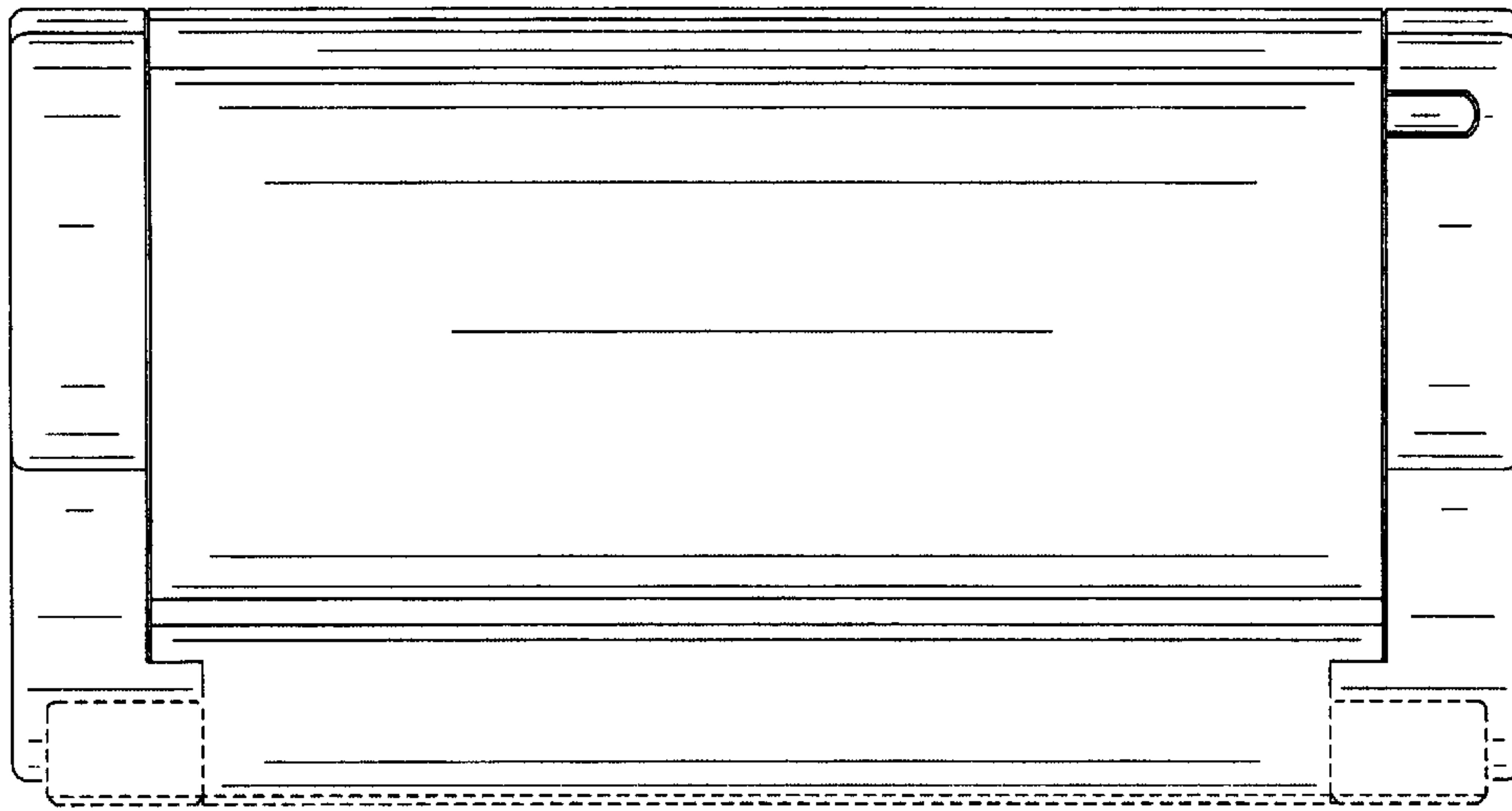


FIG.3

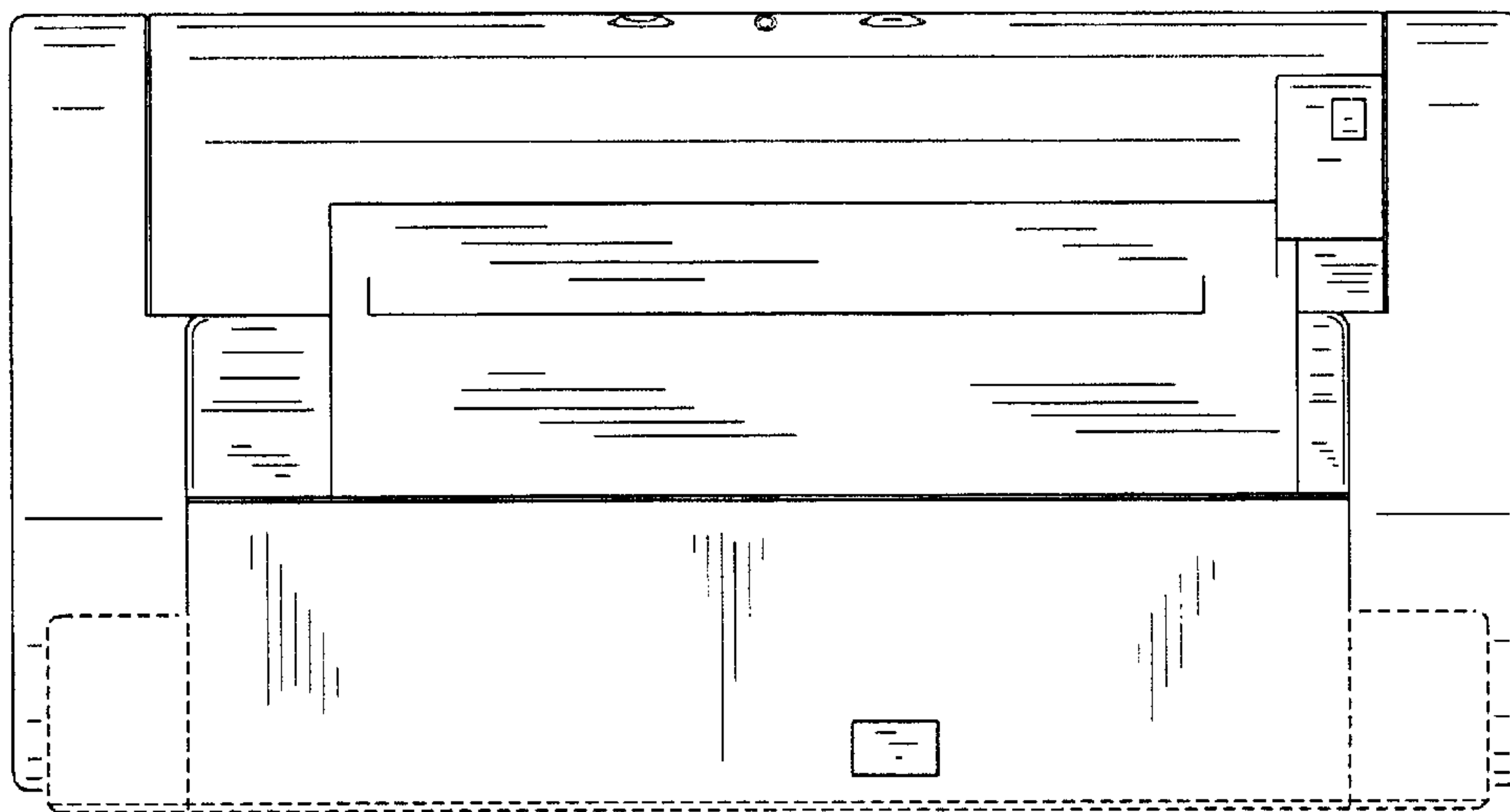


FIG.4

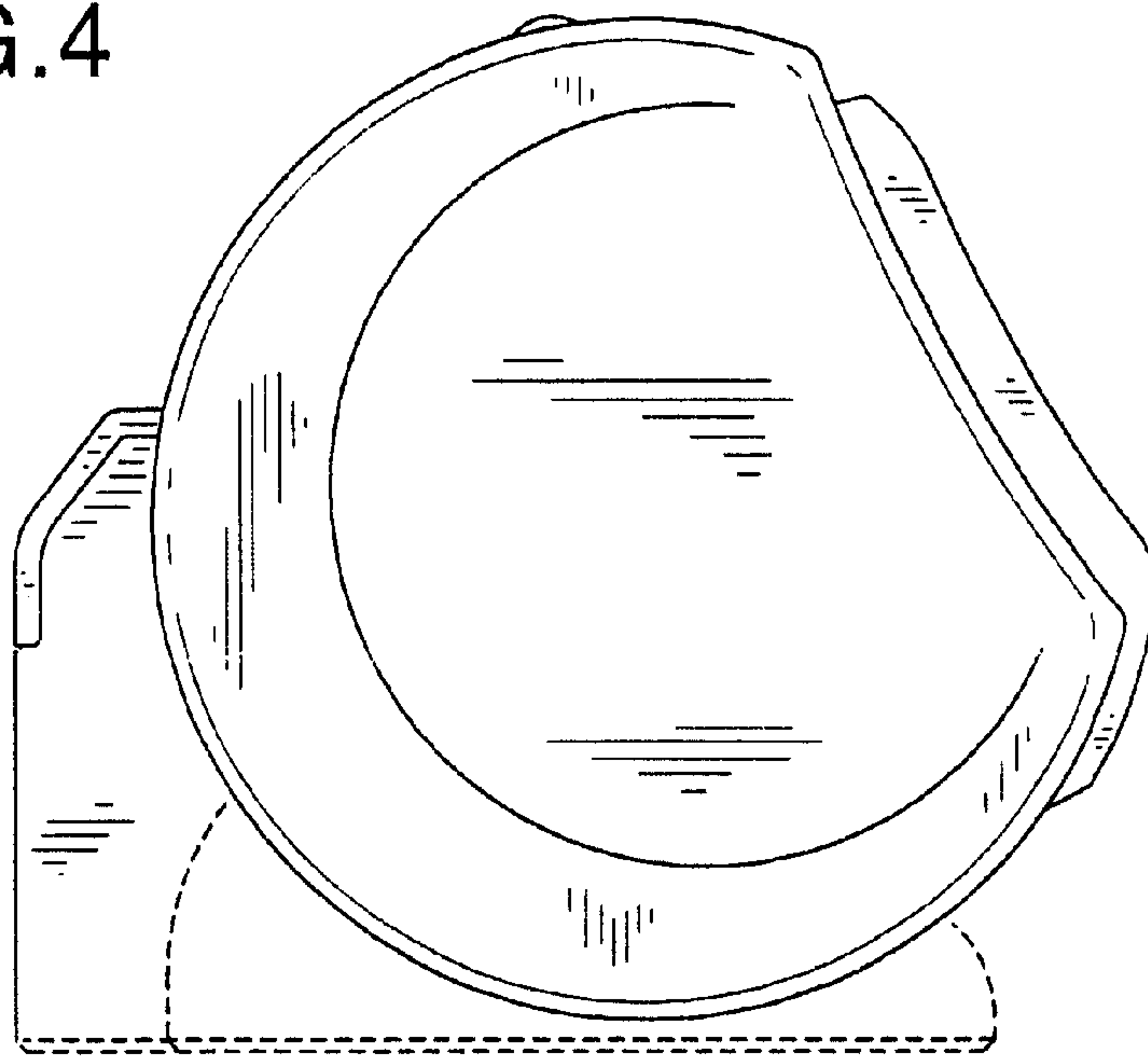


FIG.5

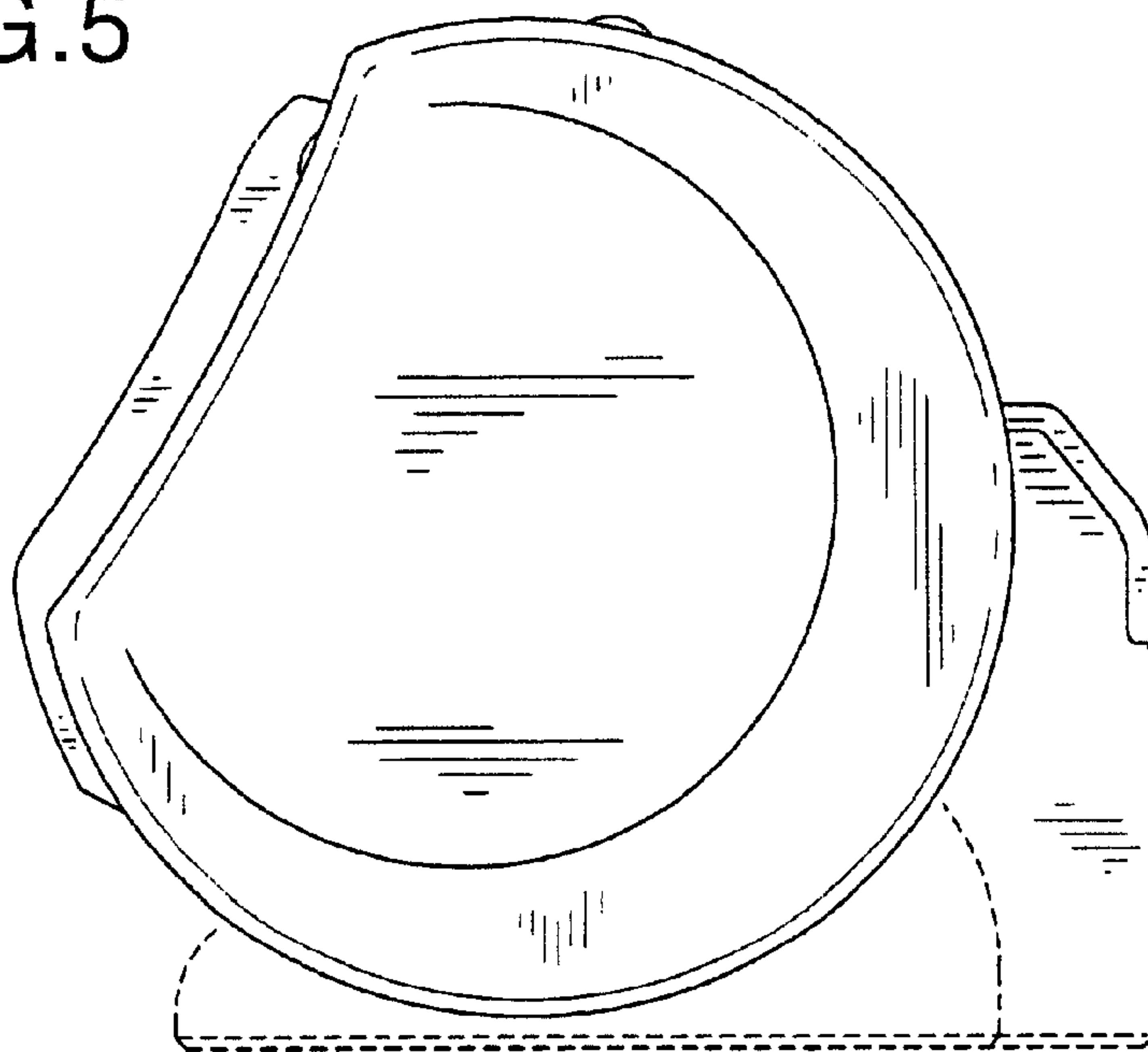


FIG.6

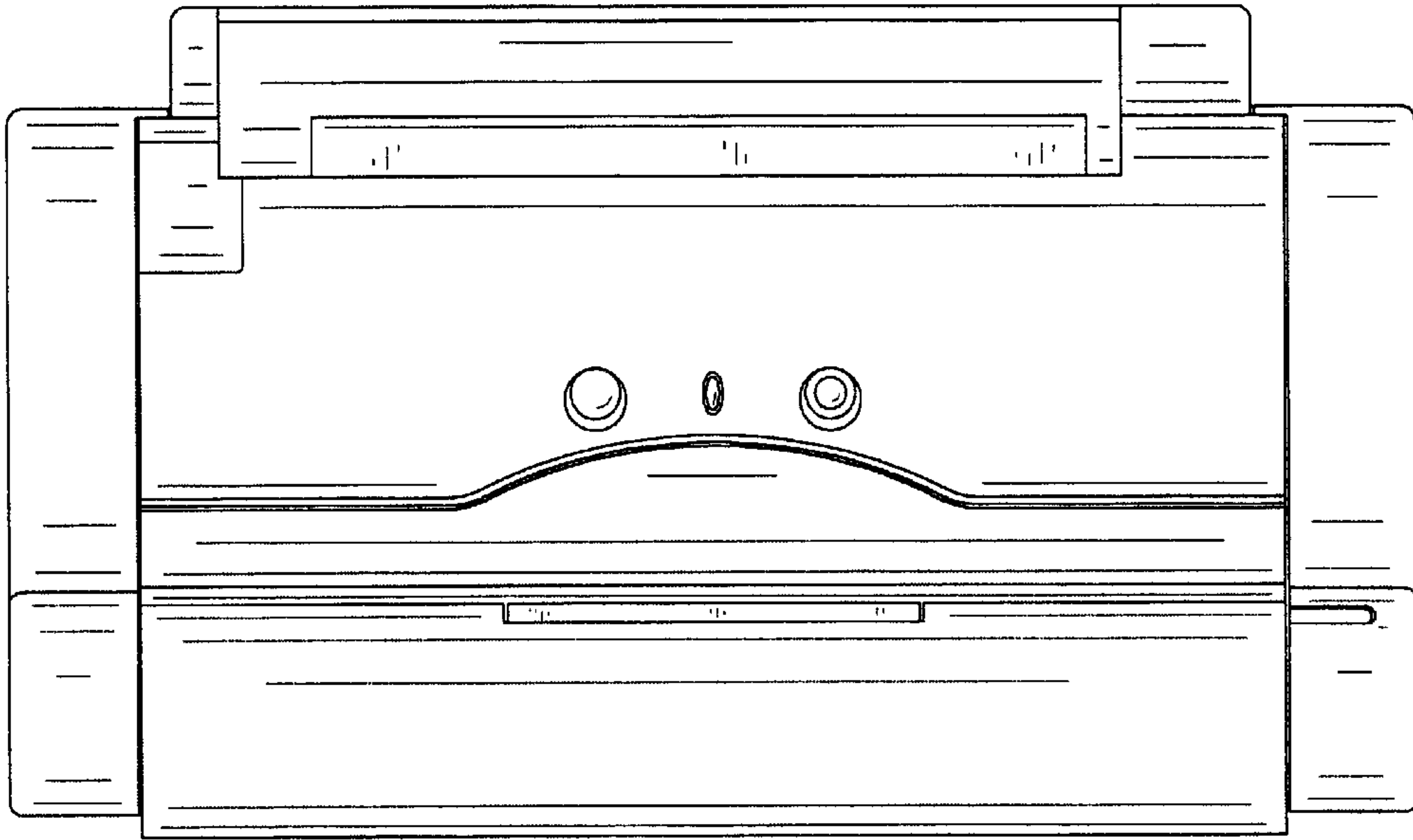


FIG.7

