



US00D486509S

(12) **United States Design Patent**
Suzuki

(10) **Patent No.:** **US D486,509 S**

(45) **Date of Patent:** **** Feb. 10, 2004**

(54) **CAMERA**

(75) Inventor: **Akio Suzuki**, Tokyo (JP)

(73) Assignee: **Sony Corporation**, Tokyo (JP)

(**) Term: **14 Years**

(21) Appl. No.: **29/180,597**

(22) Filed: **Apr. 28, 2003**

(51) **LOC (7) Cl.** **16-01**

(52) **U.S. Cl.** **D16/202; D16/203**

(58) **Field of Search** **D16/200–205,**
D16/208, 218; 348/143, 373, 374–376;
358/906, 909.1; 396/427, 433, 535–541

(56) **References Cited**

U.S. PATENT DOCUMENTS

5,610,678	A	*	3/1997	Tsuboi et al.	396/373
D401,603	S	*	11/1998	Hasegawa	D16/202
D410,480	S		6/1999	Takagi	D16/202
D412,003	S	*	7/1999	Sumida et al.	D16/202
D429,269	S	*	8/2000	Renkis	D16/203
D429,743	S	*	8/2000	Renkis	D16/203
D456,830	S	*	5/2002	Chen	D16/202
D464,365	S	*	10/2002	Su	D16/202

OTHER PUBLICATIONS

Web page “DSC–U20–U10 Top,” <http://www.sony.jp.products.Consumer/DSC/DSC–U10/index.html>, 1 sheet, Sony (Feb. 2003).

Web page “yodobashi.com: FinePix F601,” <http://www.yodobashi.com/enjoy/i.jsp?oid=2281497>, 1 sheet, Yodobashi Camera (Feb. 2003).

Web page “yodobashi.com: PDR–T20N SORA T20,” <http://www.yodobashi.com/enjoy/i.jsp?oid=3531643>, 1 sheet, Yodobashi Camera (Feb. 2003).

* cited by examiner

Primary Examiner—Adir Aronovich

(74) *Attorney, Agent, or Firm*—Rader, Fishman & Grauer PLLC

(57) **CLAIM**

The ornamental design for a camera, as shown.

DESCRIPTION

FIG. 1 is a perspective view of a camera showing my new design;

FIG. 2 is a front elevational view thereof;

FIG. 3 is a rear elevational view thereof;

FIG. 4 is a left side elevational view thereof;

FIG. 5 is a right side elevational view thereof;

FIG. 6 is a top plan view thereof; and,

FIG. 7 is a bottom plan view thereof.

1 Claim, 4 Drawing Sheets

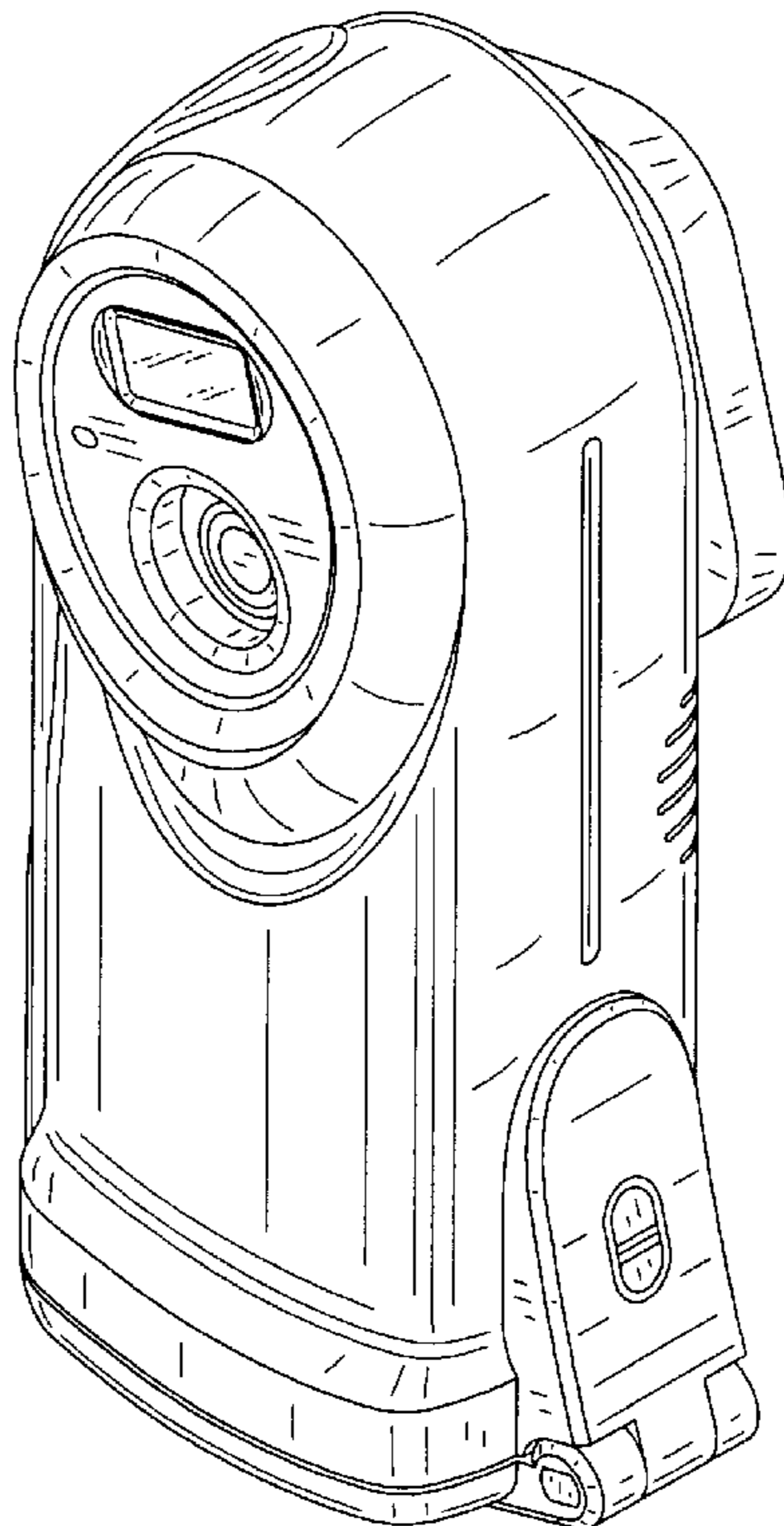


FIG. 1

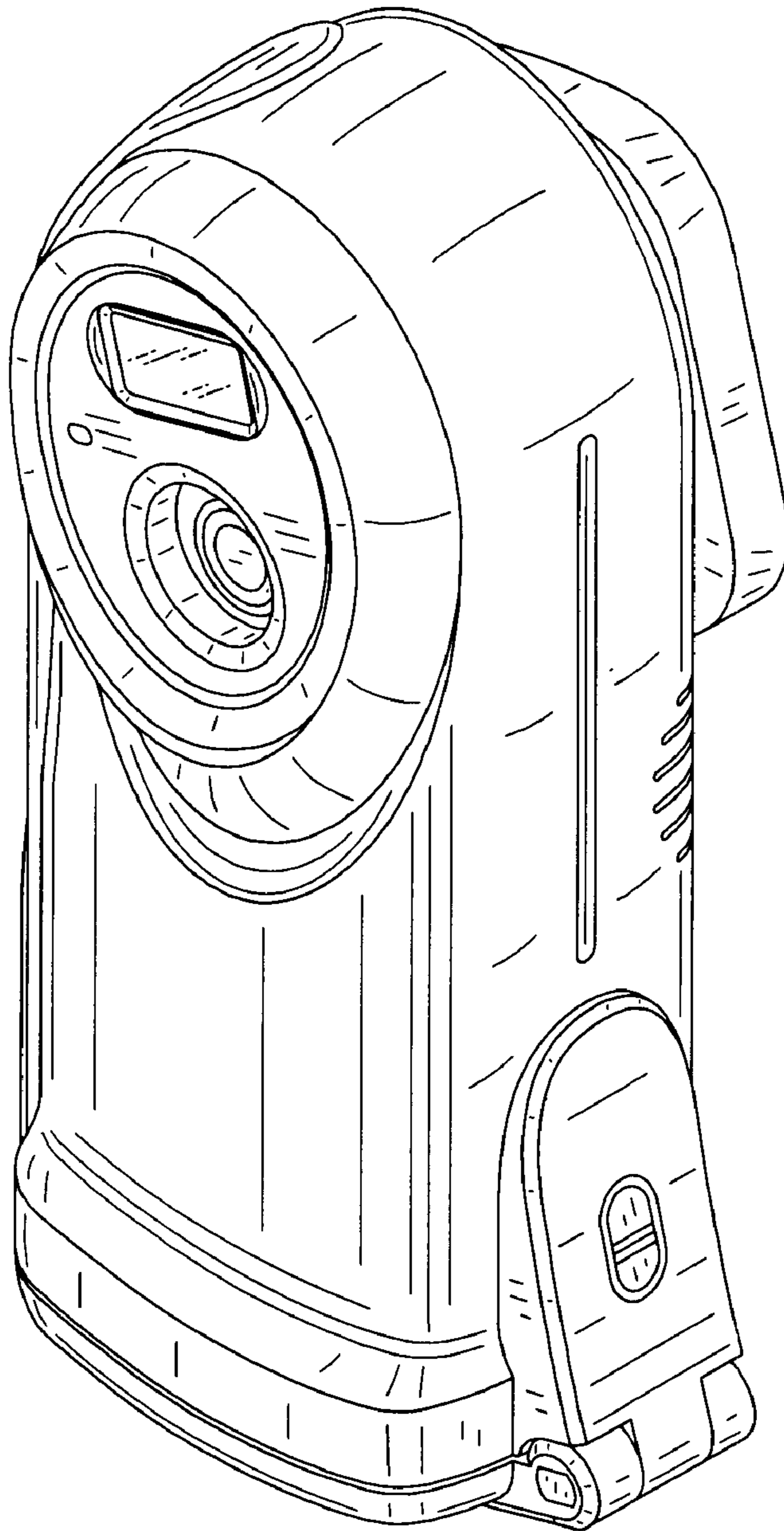


FIG. 3

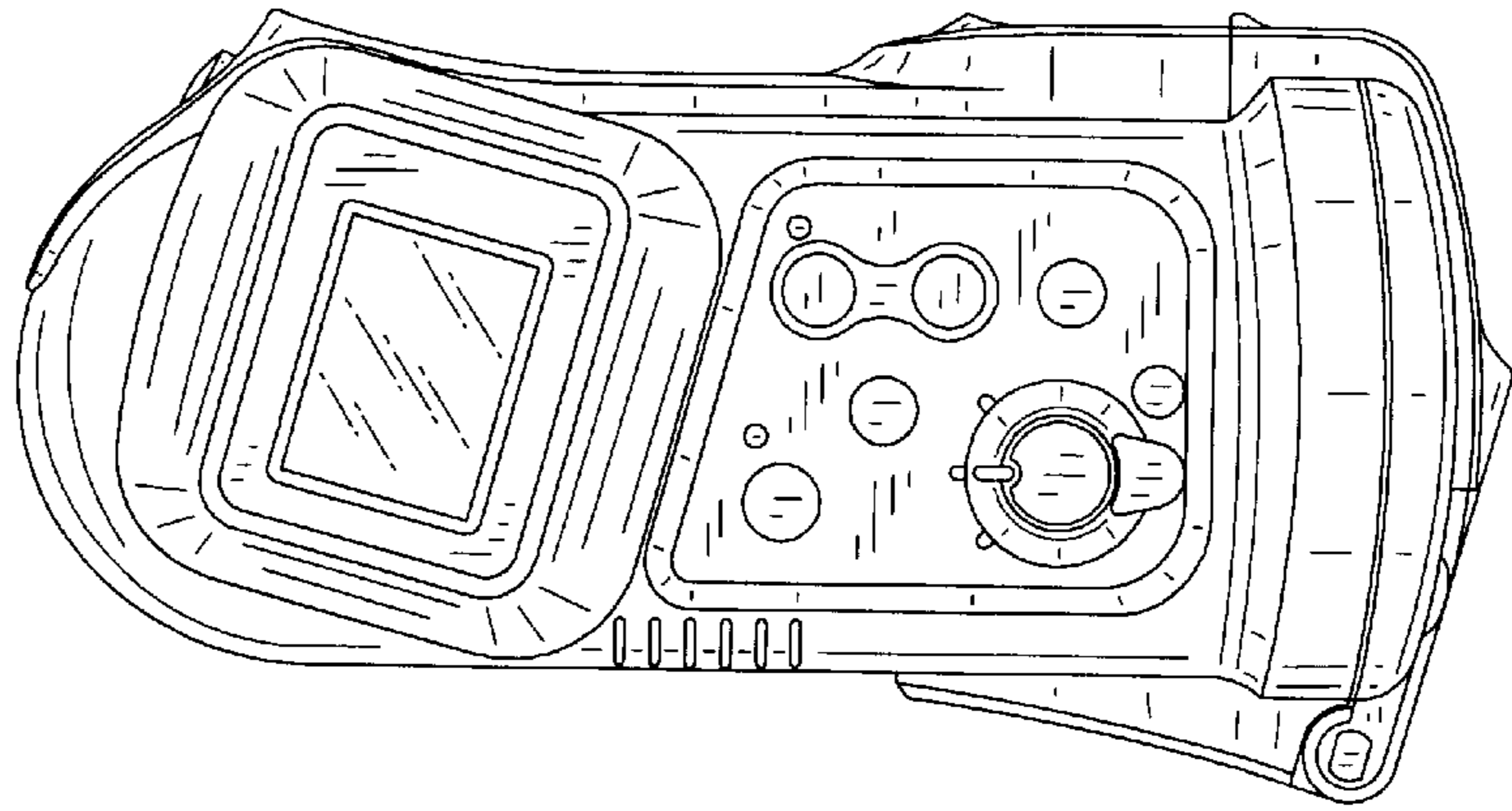


FIG. 2

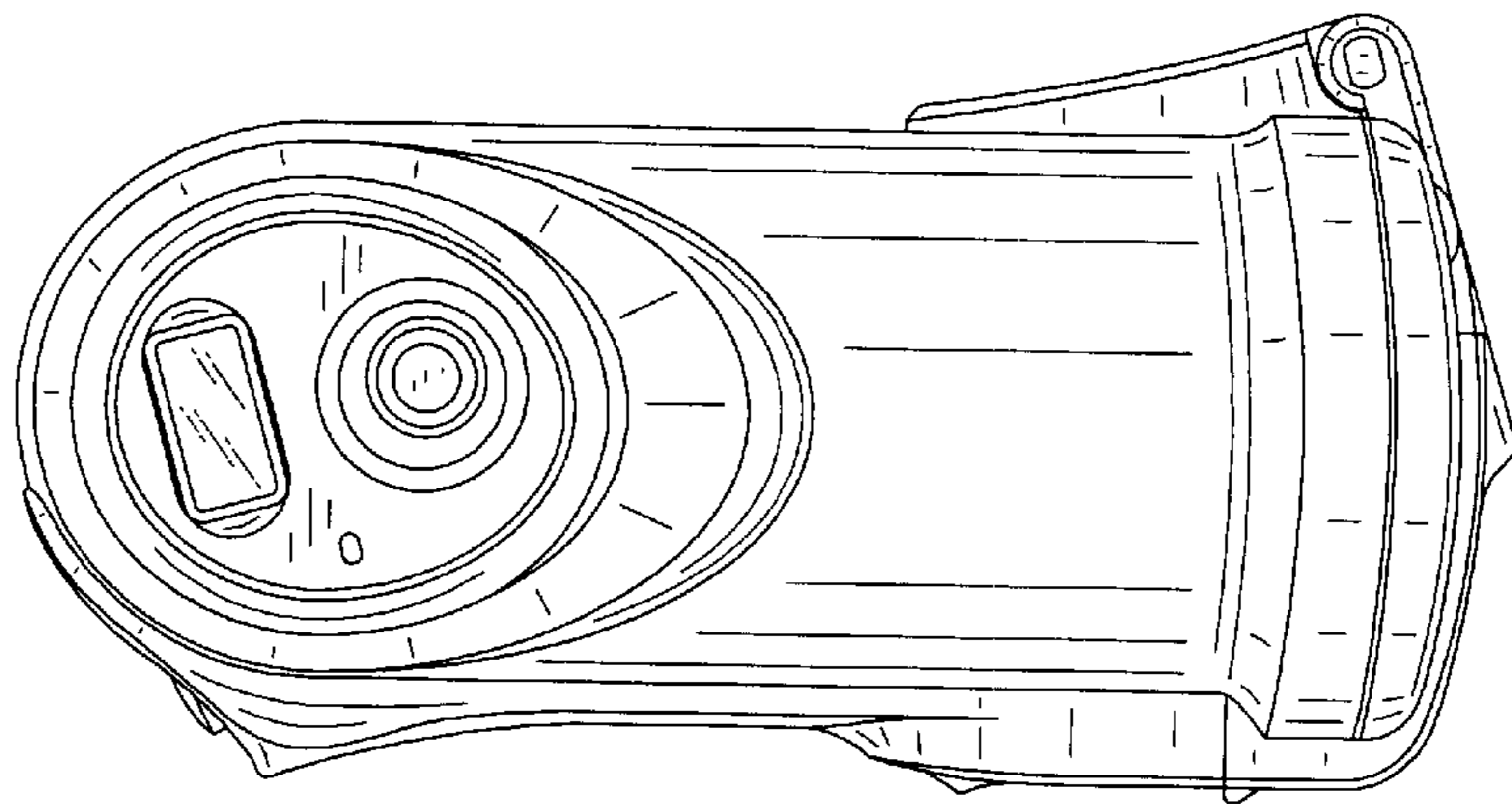


FIG. 5

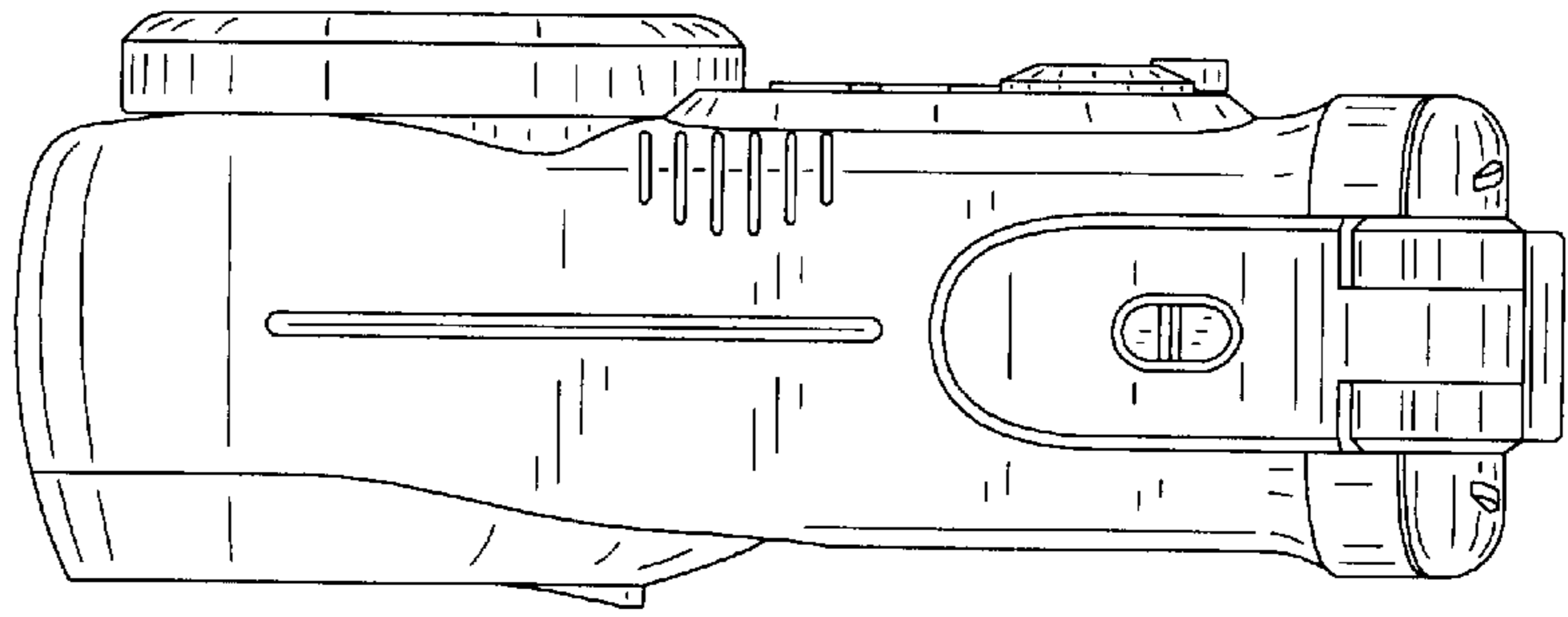


FIG. 4

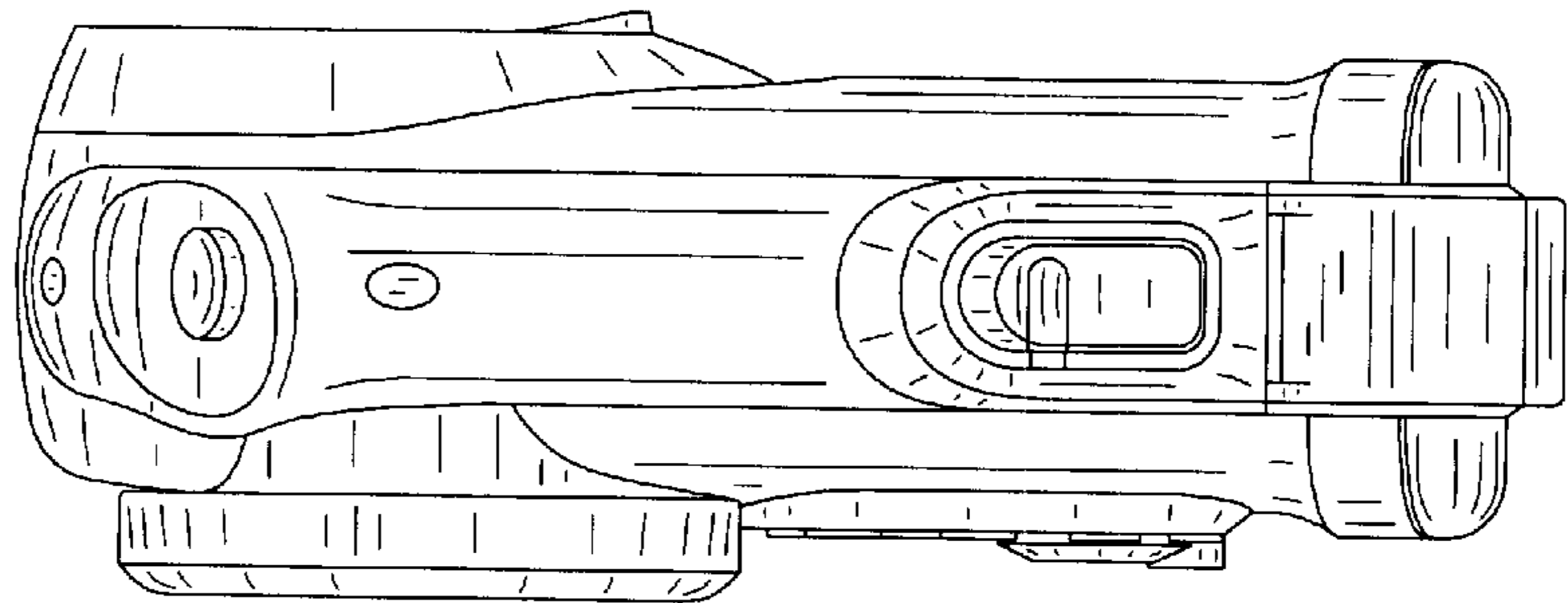


FIG. 6

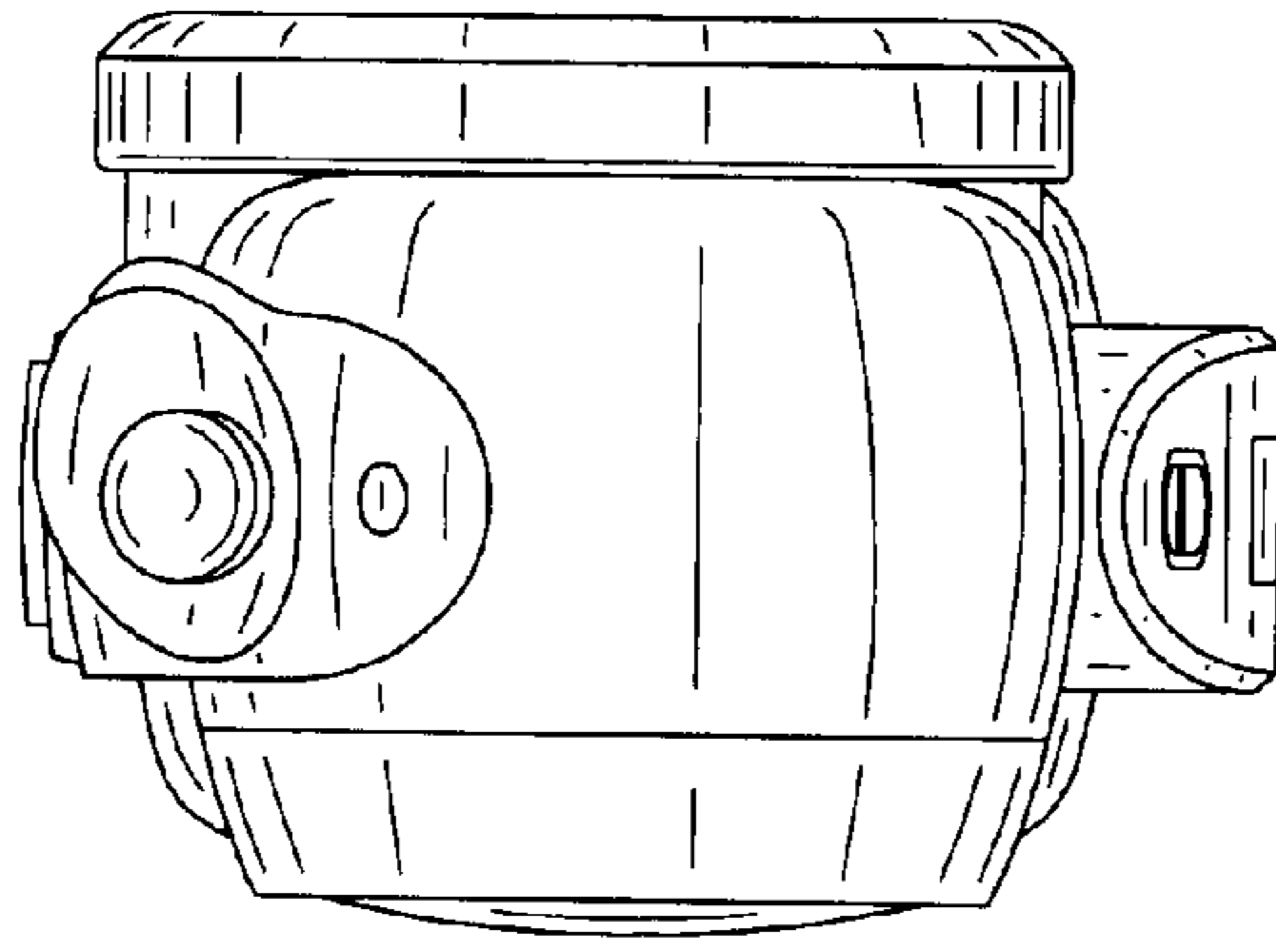


FIG. 7

