



US00D486504S

(12) **United States Design Patent**
Huang

(10) **Patent No.:** **US D486,504 S**

(45) **Date of Patent:** **** Feb. 10, 2004**

(54) **SAW TABLE HAVING FOLDABLE STAND**

D418,846 S * 1/2000 Chen D15/13 X

(75) Inventor: **Peter Huang**, Taichung (TW)

* cited by examiner

(73) Assignee: **Durq Machinery Corp.**, Taichung (TW)

Primary Examiner—Brian N. Vinson

(74) *Attorney, Agent, or Firm*—Bacon & Thomas, PLLC

(**) Term: **14 Years**

(57) **CLAIM**

(21) Appl. No.: **29/176,225**

The ornamental design for a “saw table having foldable stand,” as shown and described.

(22) Filed: **Feb. 21, 2003**

DESCRIPTION

(51) **LOC (7) Cl.** **15-09**

(52) **U.S. Cl.** **D15/133**

(58) **Field of Search** D15/127, 133,
D15/138, 141; 83/469, 471, 471.1, 477.2,
508.2, 648, 859, 743; 144/1.1, 20, 21, 218,
286.1

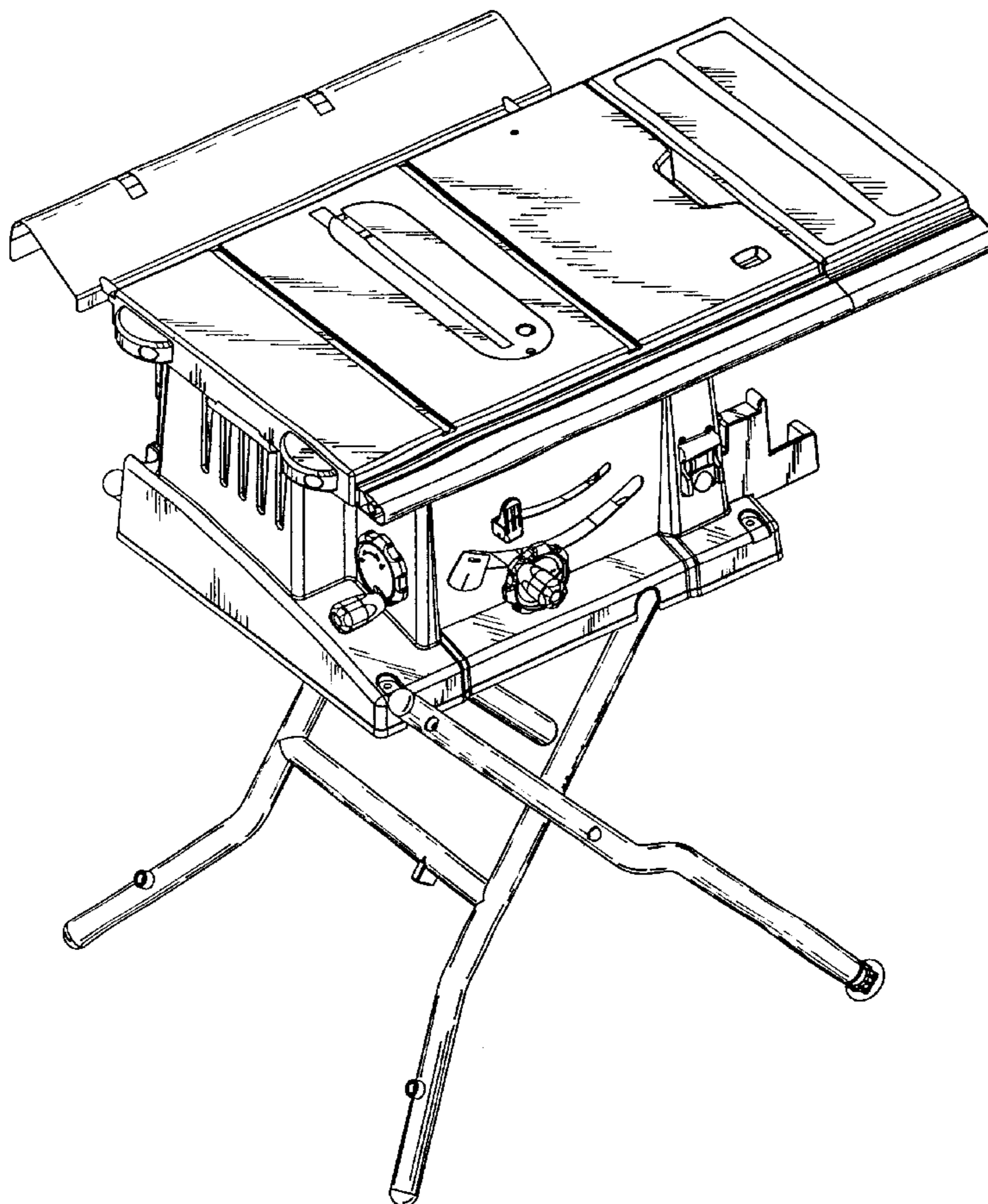
FIG. 1 shows a perspective view of the present design.
FIG. 2 shows a right side elevational view of the present design.
FIG. 3 shows a top plan view of the present design.
FIG. 4 shows a front elevational view of the present design.
FIG. 5 shows a bottom plan view of the present design.
FIG. 6 shows a left side elevational view of the present design.
FIG. 7 shows a rear elevational view of the present design; and,
FIG. 8 is also a rear elevational view of the present design, but showing that the stand of the saw table is folded.

(56) **References Cited**

U.S. PATENT DOCUMENTS

- D299,925 S * 2/1989 Brickner, Jr. et al. D15/133
- 5,024,257 A * 6/1991 Lloyd 144/1.1
- D364,412 S * 11/1995 Hilliard et al. D15/133
- D373,129 S * 8/1996 Wixey et al. D15/133
- D418,525 S * 1/2000 Watson et al. D15/133

1 Claim, 7 Drawing Sheets



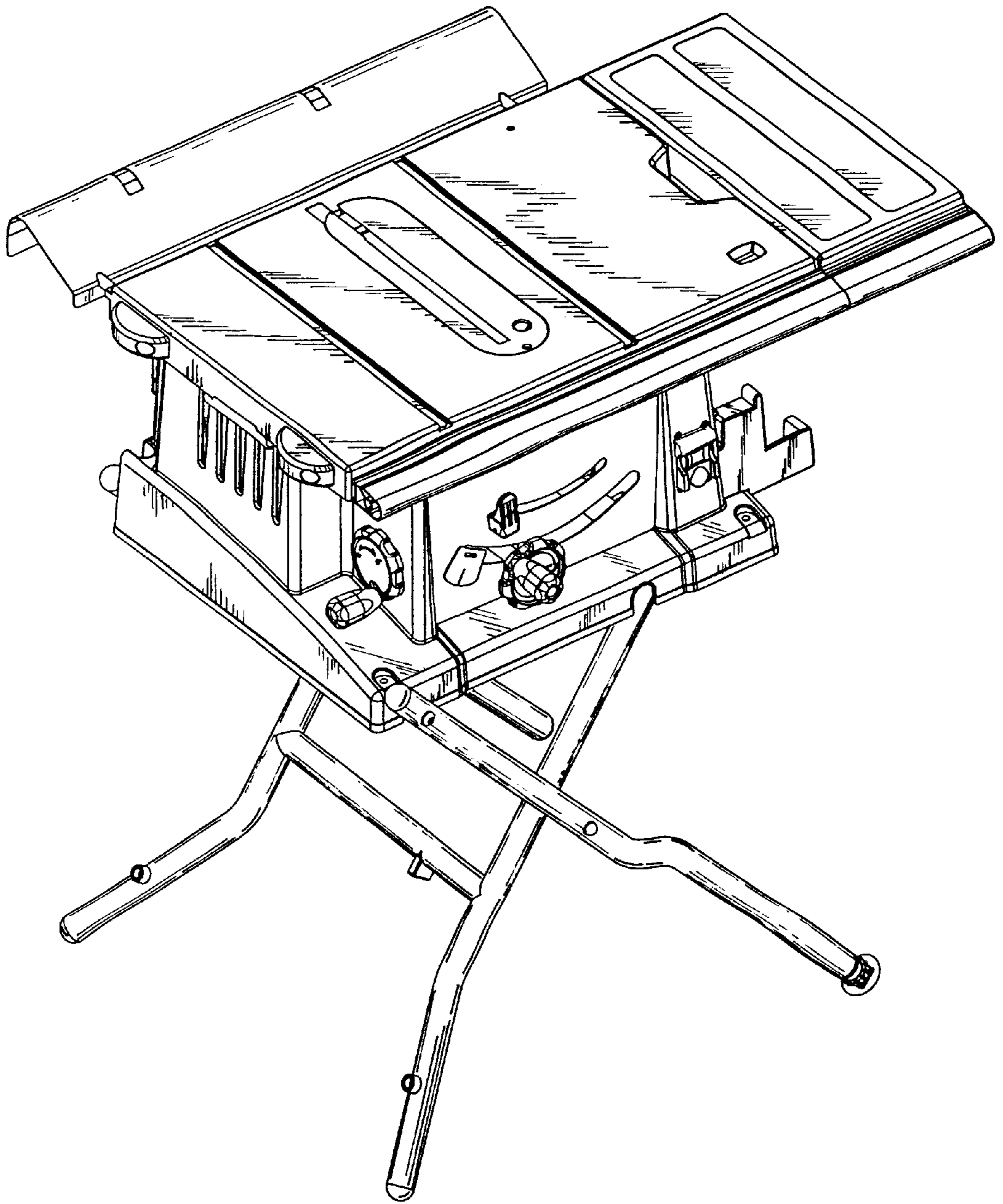


FIG. 1

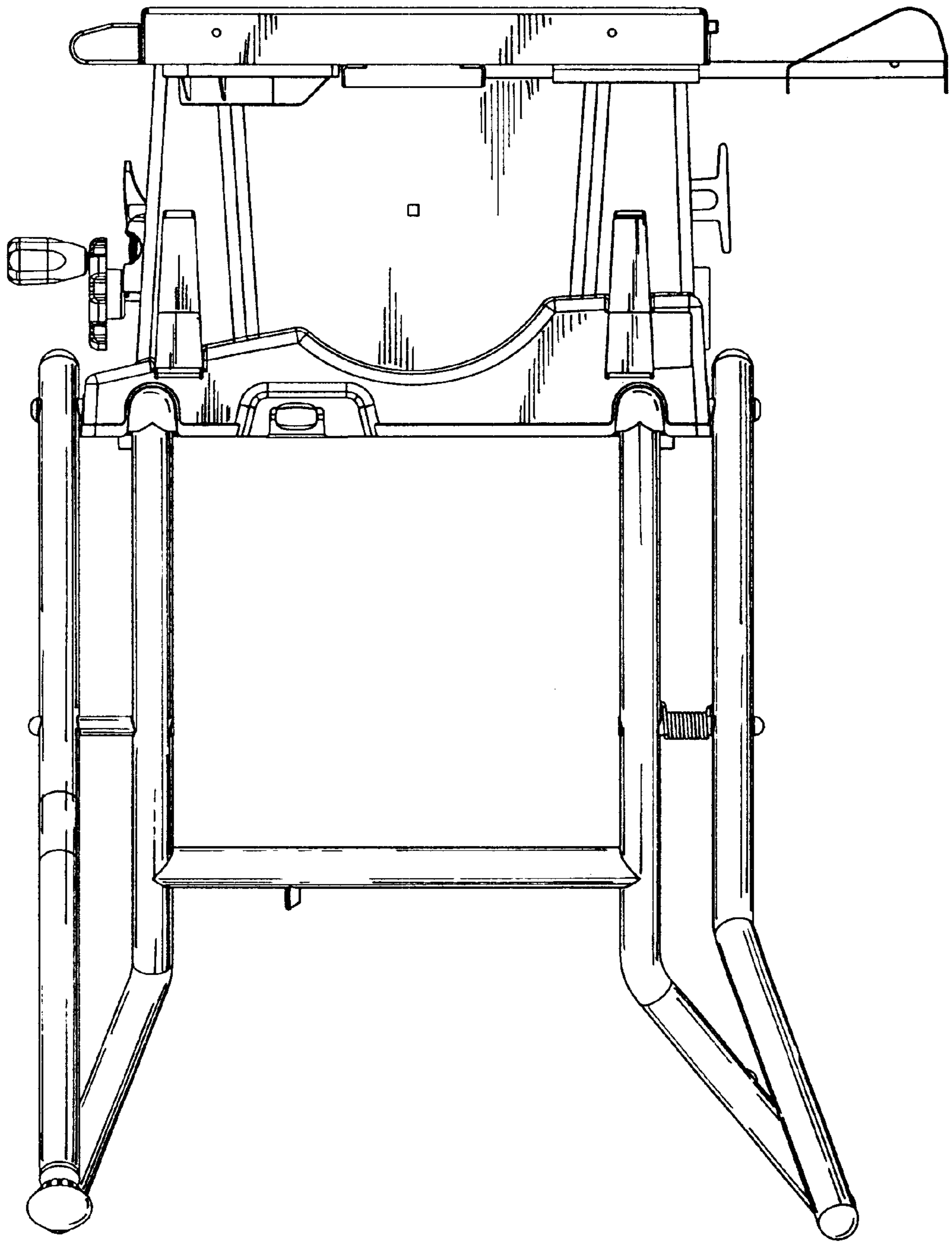


FIG. 2

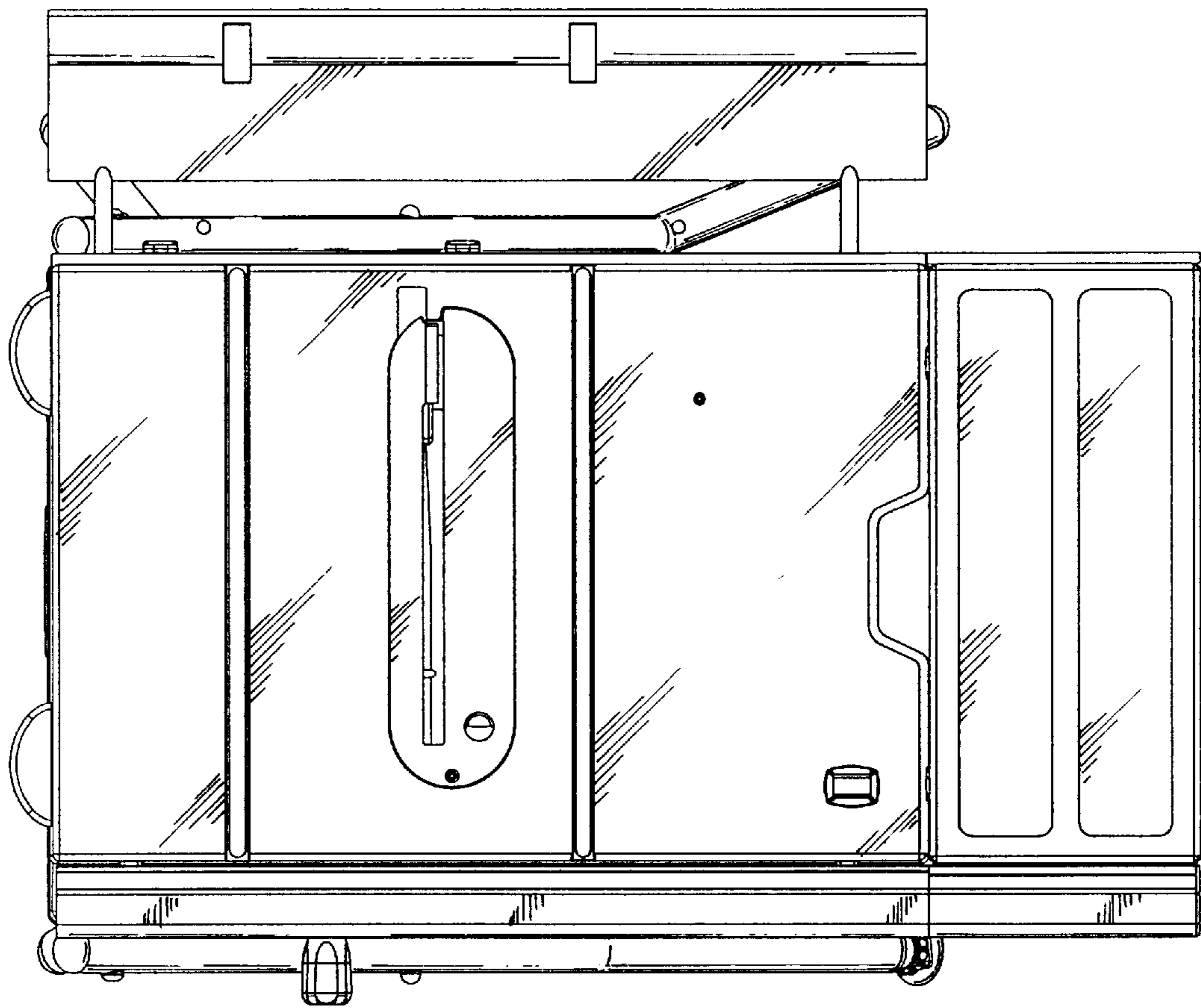


FIG.3

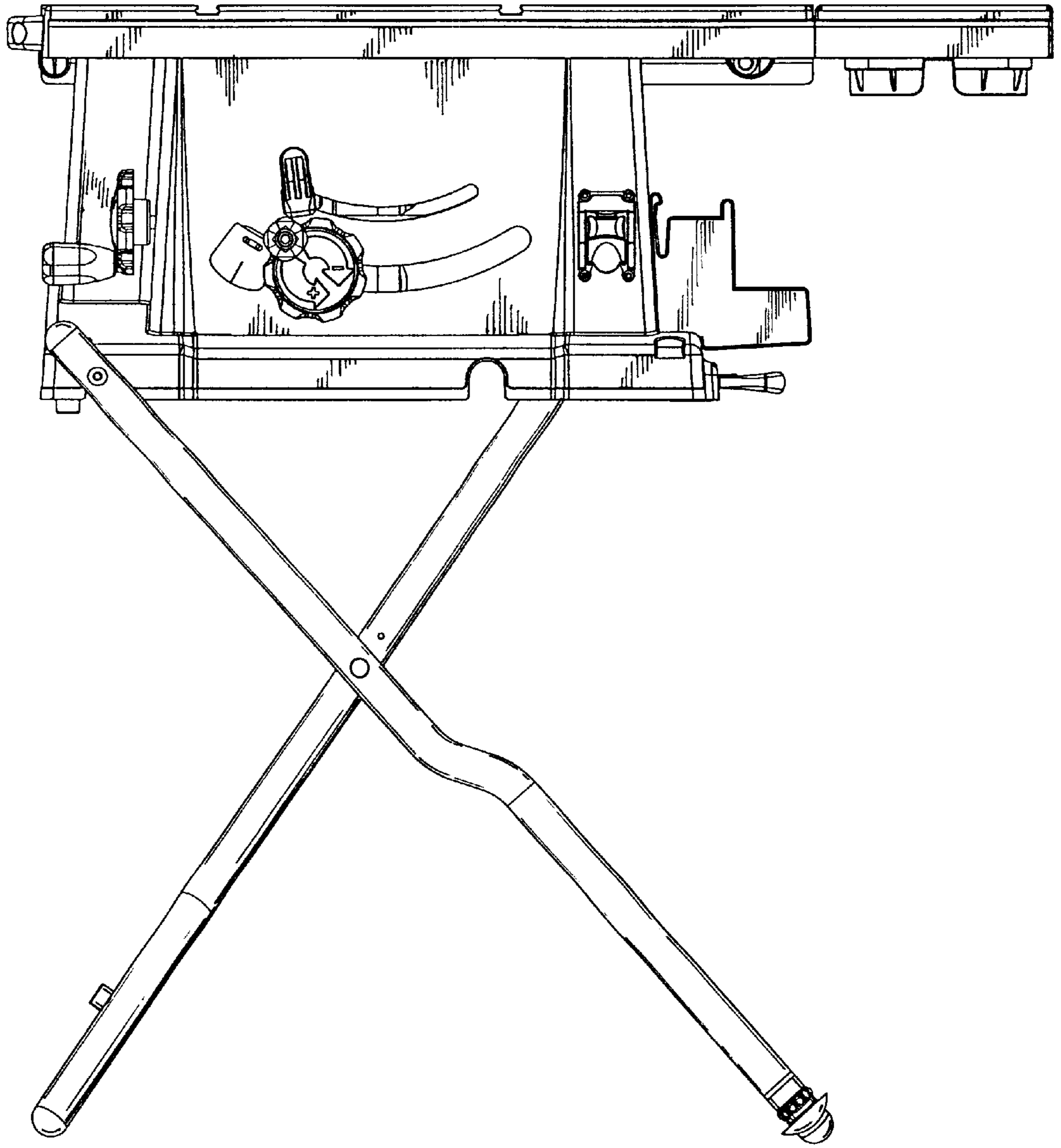


FIG. 4

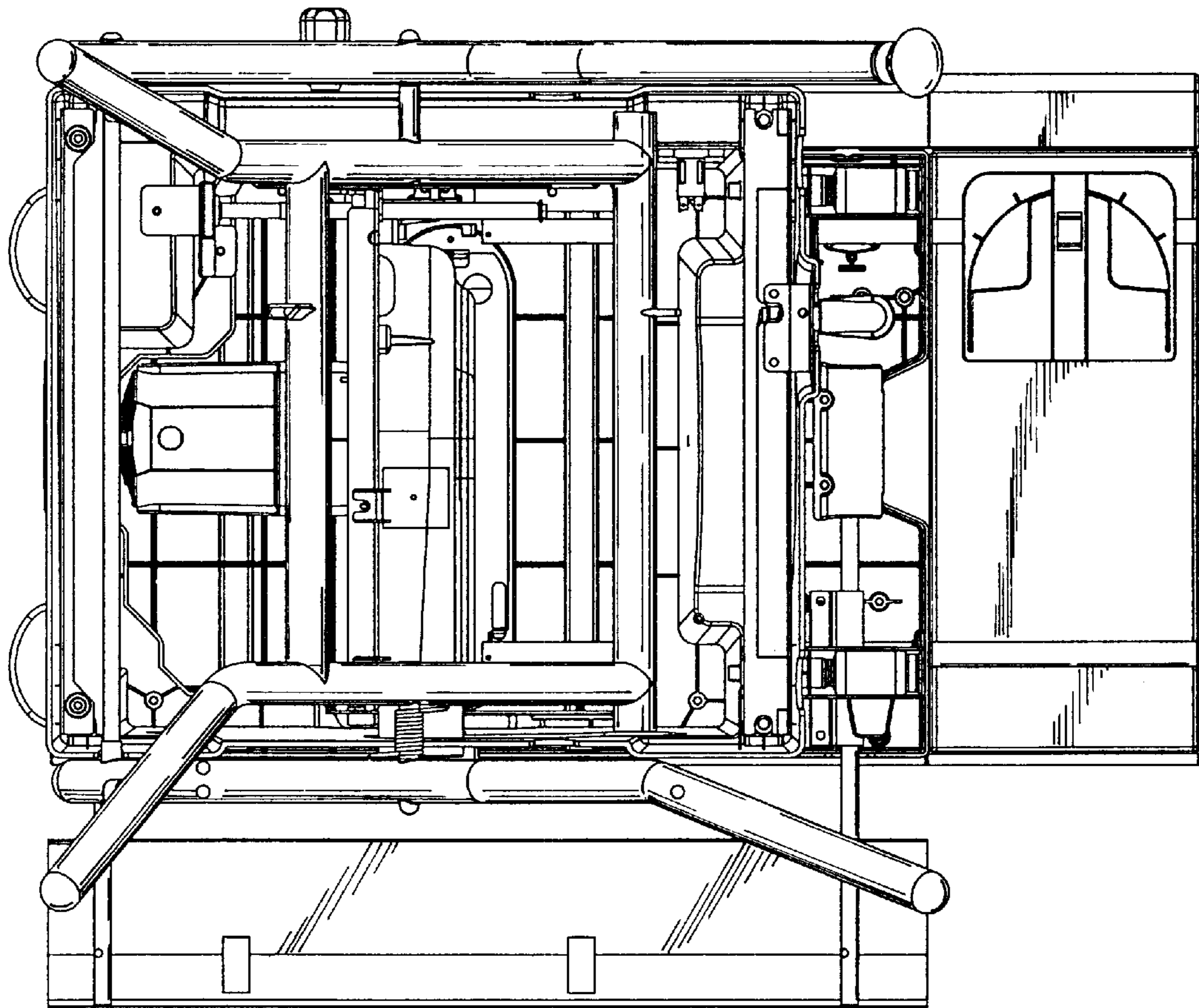


FIG. 5

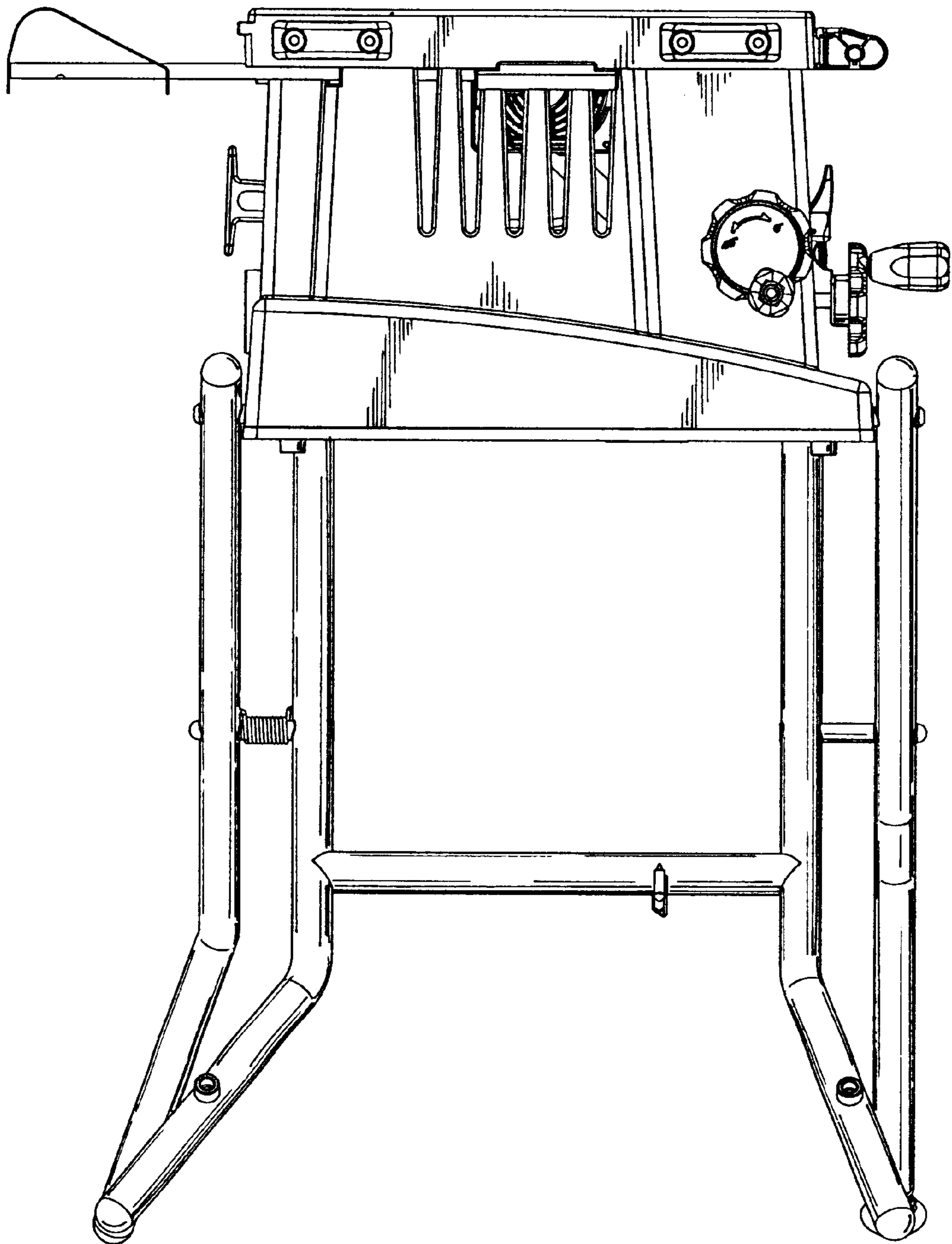


FIG. 6

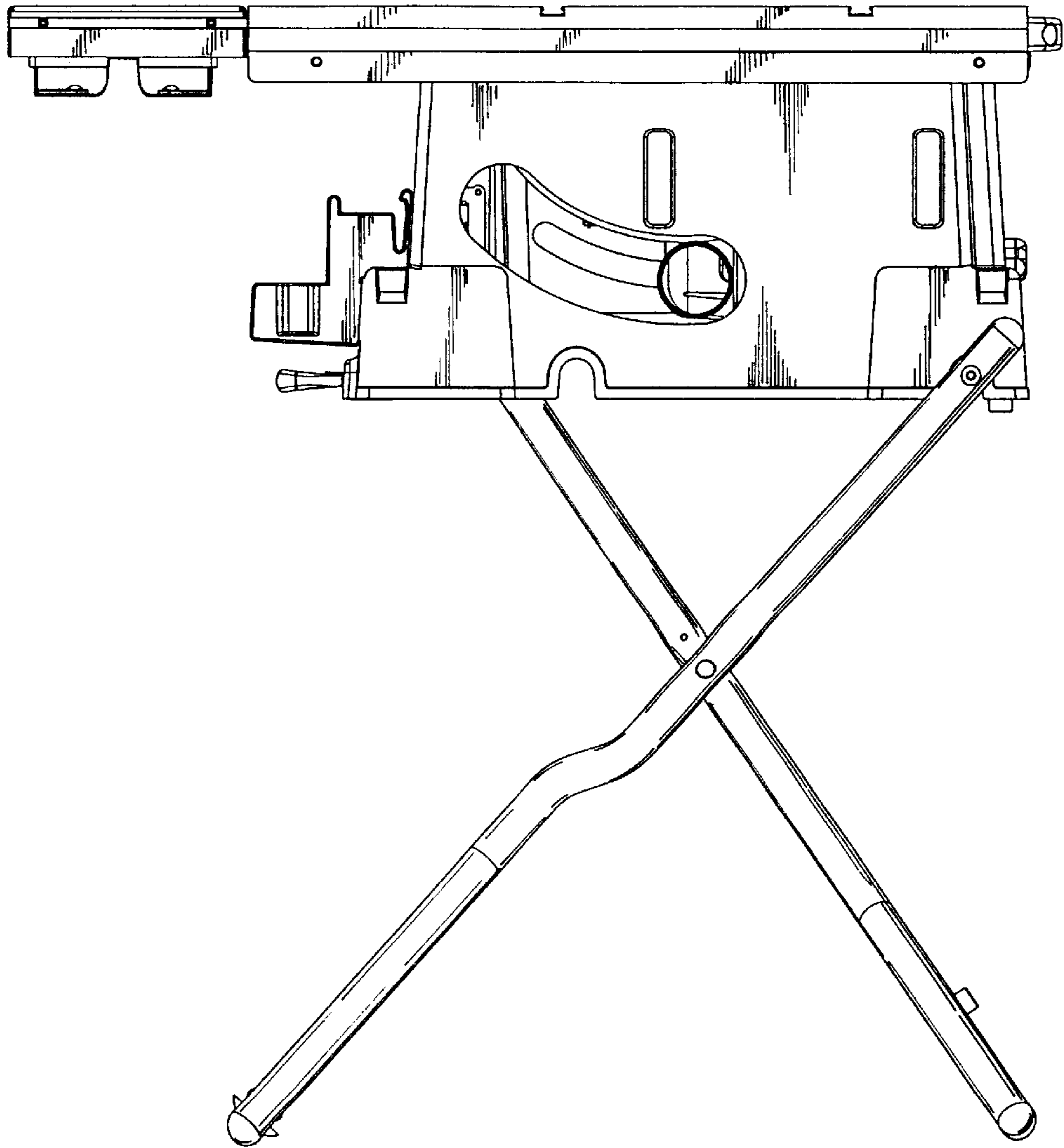


FIG. 7

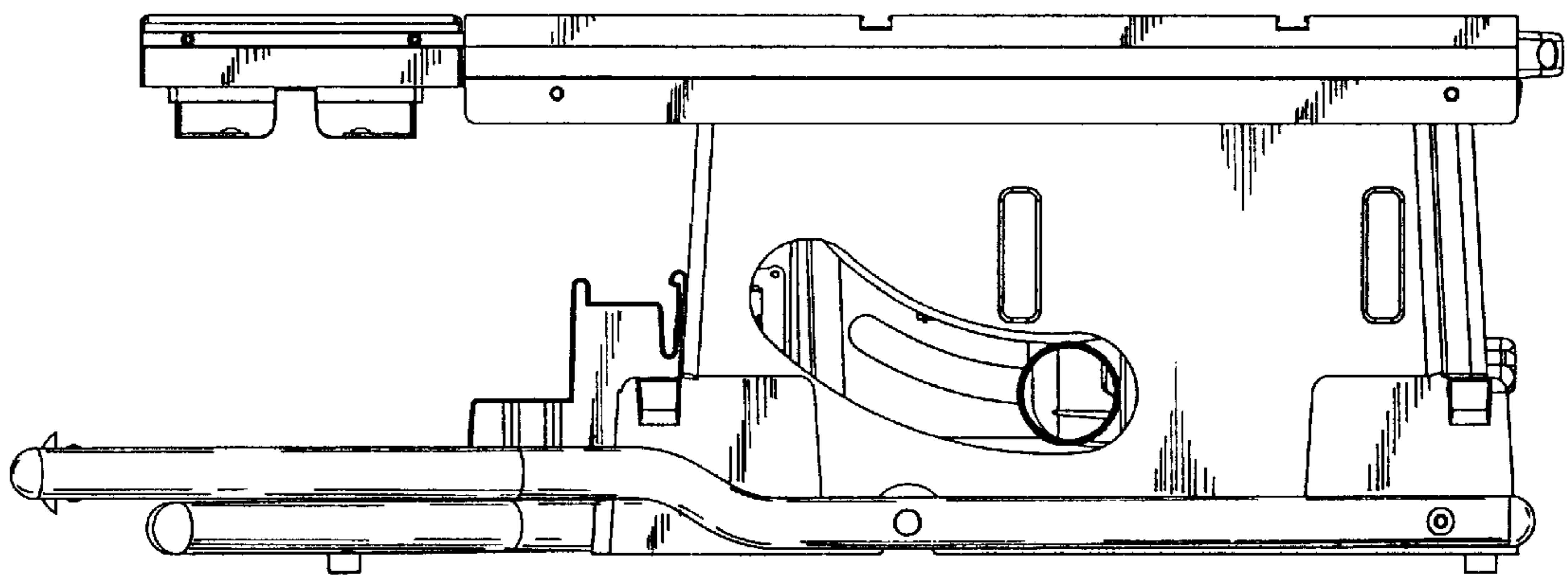


FIG. 8