



US00D486503S

(12) **United States Design Patent**
East

(10) **Patent No.:** **US D486,503 S**

(45) **Date of Patent:** **** Feb. 10, 2004**

(54) **DISK SAW TOOTH/RETAINER JOINT**

(76) Inventor: **C. Richard East**, 109 Elementary La.,
Patrick Springs, VA (US) 24133

(**) Term: **14 Years**

(21) Appl. No.: **29/172,586**

(22) Filed: **Dec. 13, 2002**

(51) **LOC (7) Cl.** **15-09**

(52) **U.S. Cl.** **D15/133**

(58) **Field of Search** D15/140; 83/840;
144/34.1, 336, 4.1; 451/420

4,848,205 A	7/1989	Suzuki et al.
4,879,936 A	11/1989	Anderson
4,932,447 A	6/1990	Morin
5,058,477 A	10/1991	MacLennan
5,085,112 A	2/1992	MacLennan
5,113,919 A	5/1992	MacLennan
5,131,305 A	7/1992	MacLennan
5,205,199 A	4/1993	MacLennan
5,211,212 A	5/1993	Carlson et al.
5,303,752 A	4/1994	MacLennan
5,307,719 A	5/1994	MacLennan
5,644,965 A	7/1997	MacLennan et al.

Primary Examiner—Antoine Duval Davis

(57) **CLAIM**

The ornamental design for a disk saw tooth/retainer joint, as shown and described.

(56) **References Cited**

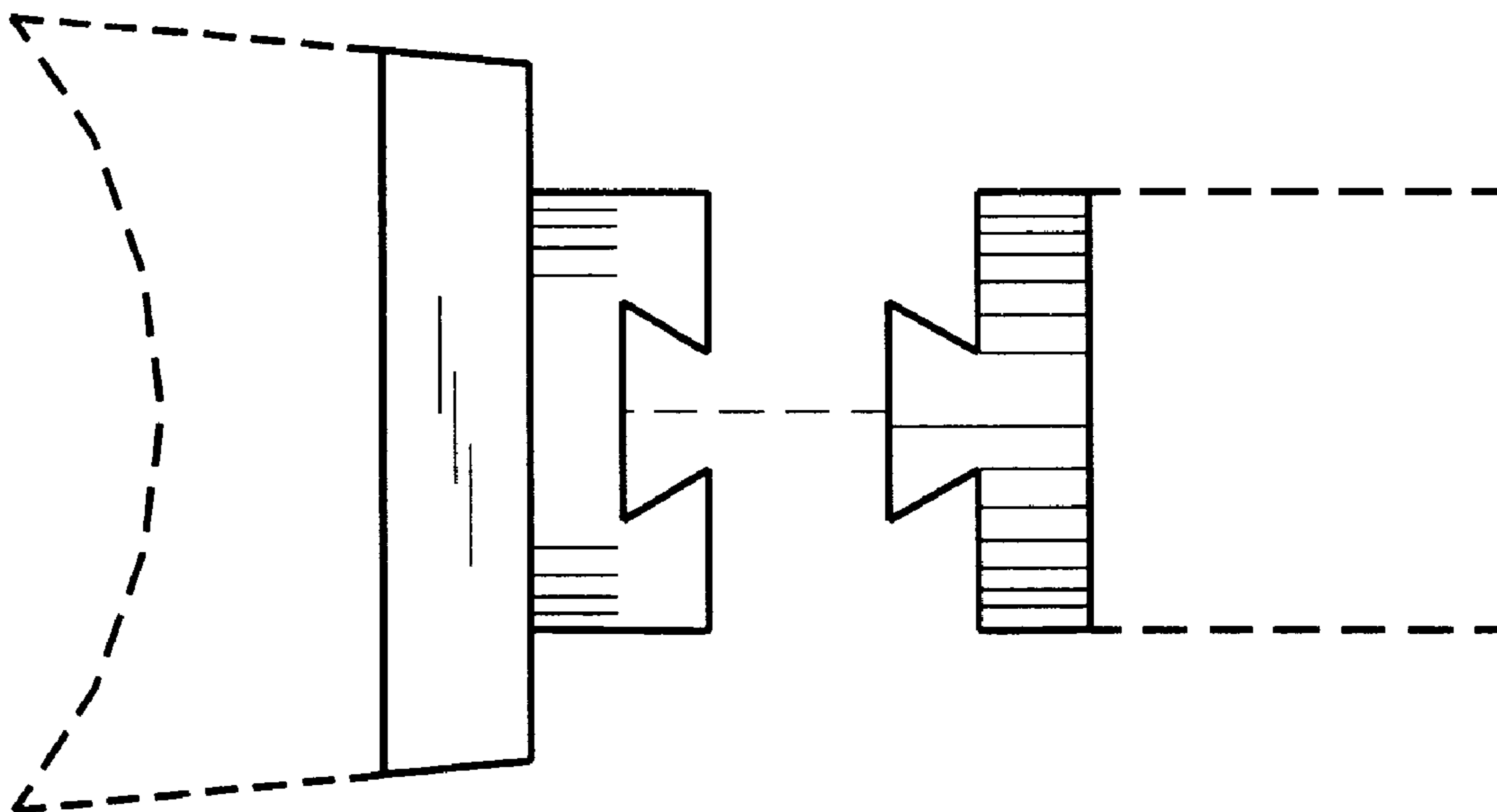
U.S. PATENT DOCUMENTS

1,653,265 A	12/1927	Foerster
2,160,525 A	5/1939	Thornton
2,736,352 A	2/1956	Wright
3,261,384 A	7/1966	Henderson
3,358,720 A	12/1967	Henderson
3,818,561 A	6/1974	Montana et al.
3,945,289 A	3/1976	Baez Rios
3,977,447 A	8/1976	Pease
3,986,421 A	10/1976	Schultz
4,084,470 A	4/1978	Reed
4,563,929 A	1/1986	Ringlee et al.
4,738,291 A	4/1988	Isley
4,744,278 A	5/1988	Wright
4,750,396 A	6/1988	Gaddis et al.
4,765,217 A	8/1988	Ludwig

DESCRIPTION

FIG. 1 is a top plan view of a saw tooth and a saw tooth retainer in unassembled fashion which forms the joint invention, the dotted line portions of the saw tooth and retainer not forming a part of the claimed design;
FIG. 2 shows a portion of the saw tooth and retainer in perspective fashion, also in unassembled form;
FIG. 3 shows a side view of the saw tooth and retainer in assembled form demonstrating the joint of the invention;
FIG. 4 is a perspective view of the joint as shown in FIG. 3; and,
FIG. 5 is a top plan view of the joint as shown in FIG. 3.

1 Claim, 1 Drawing Sheet



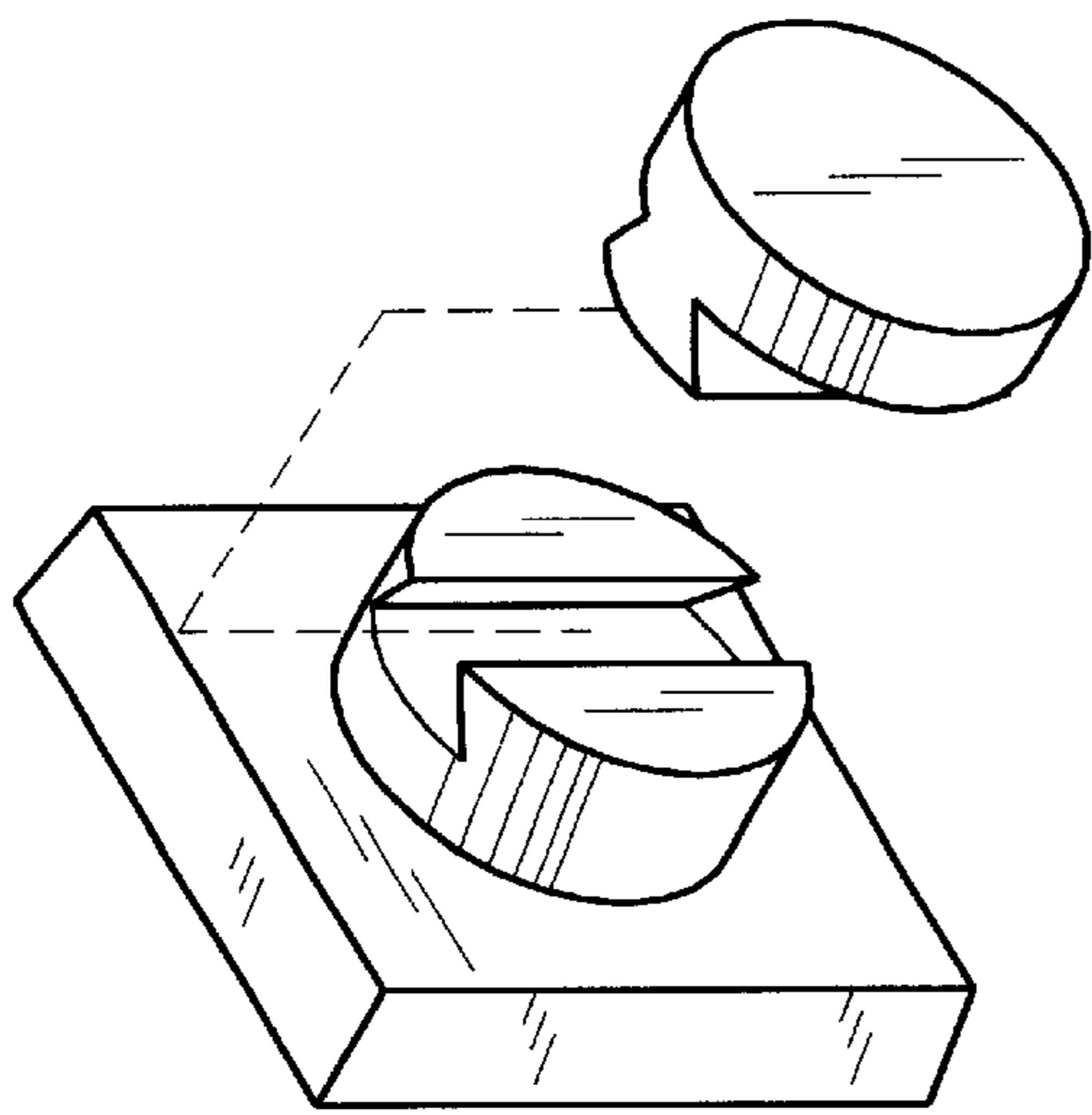


FIG. 2

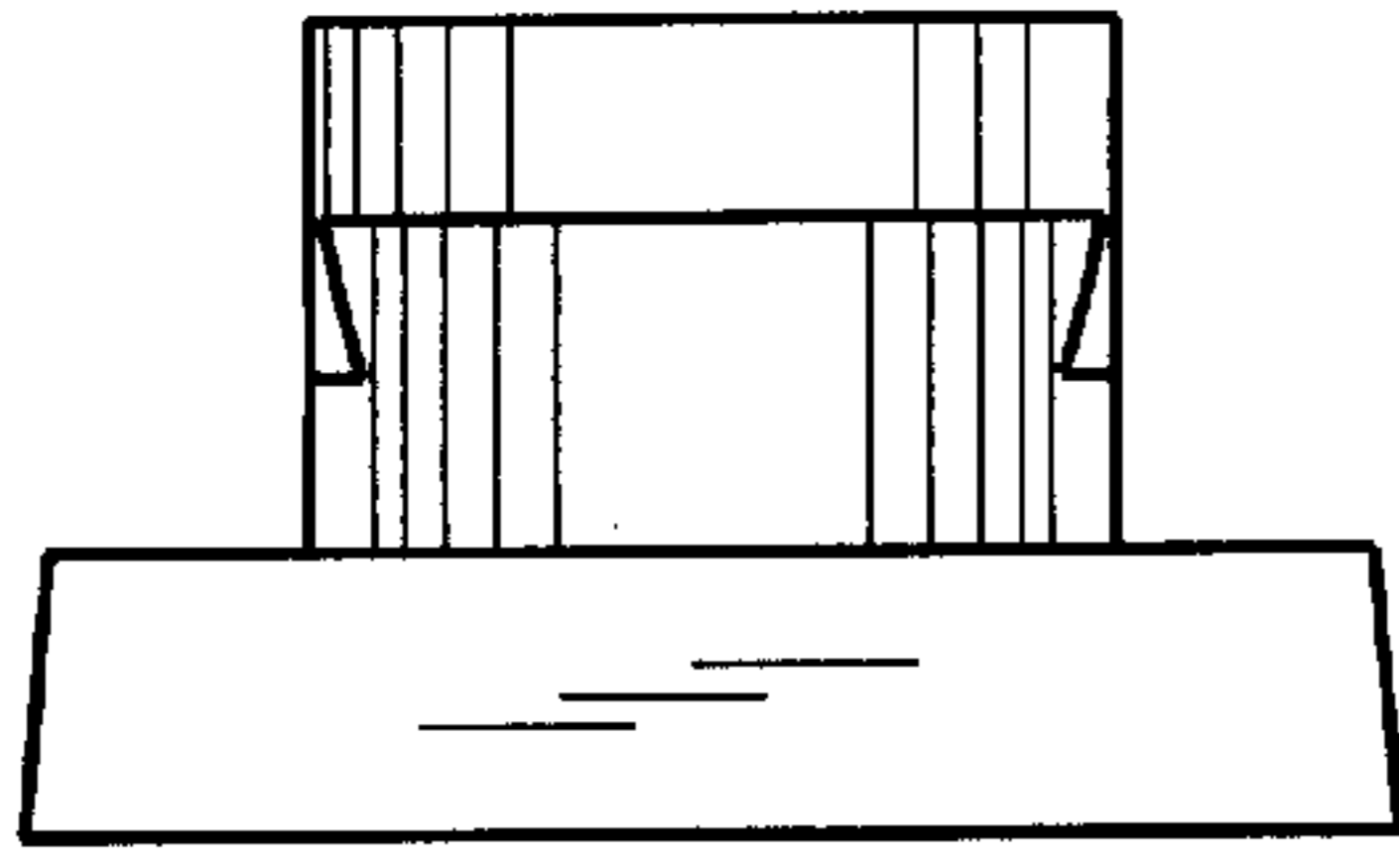


FIG. 3

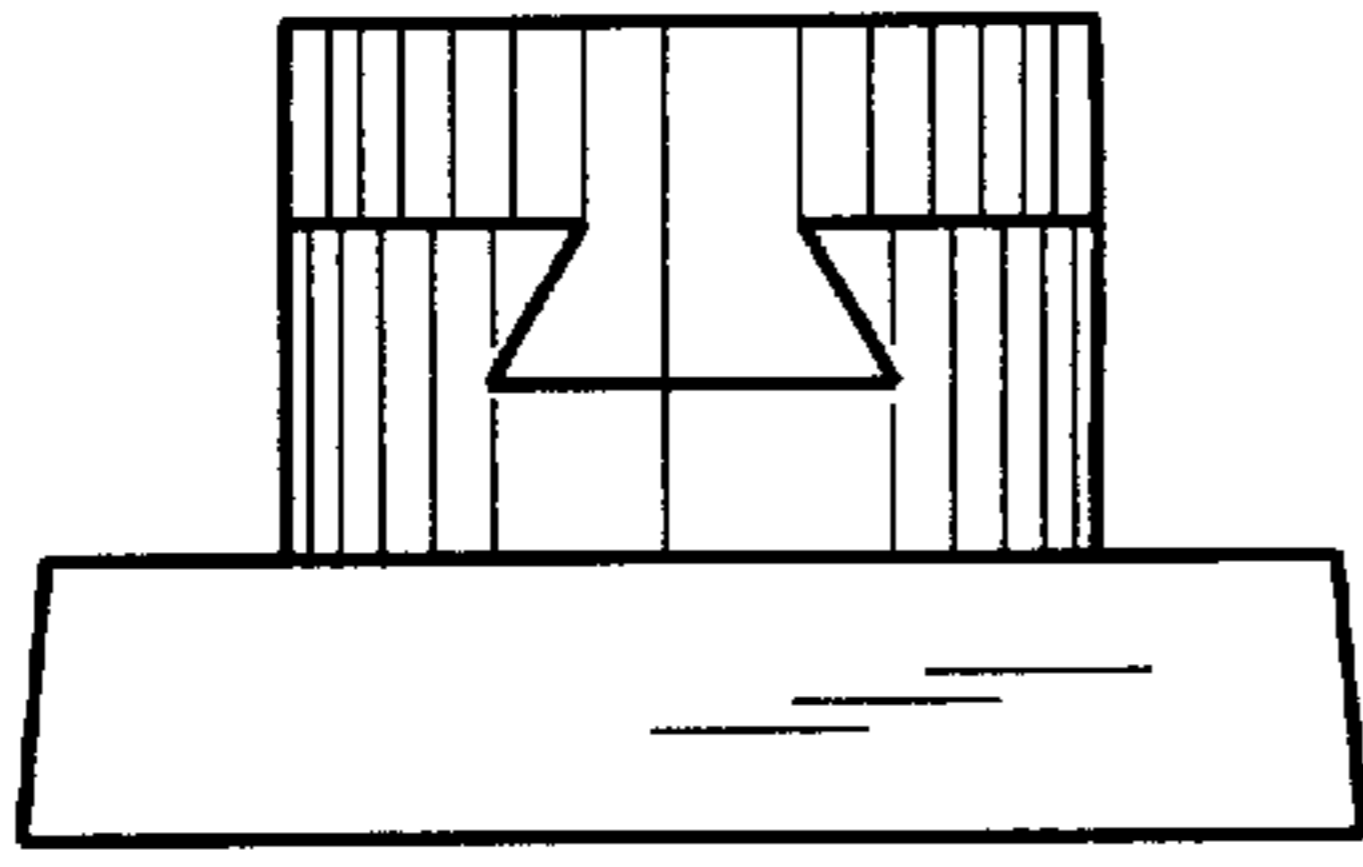


FIG. 5

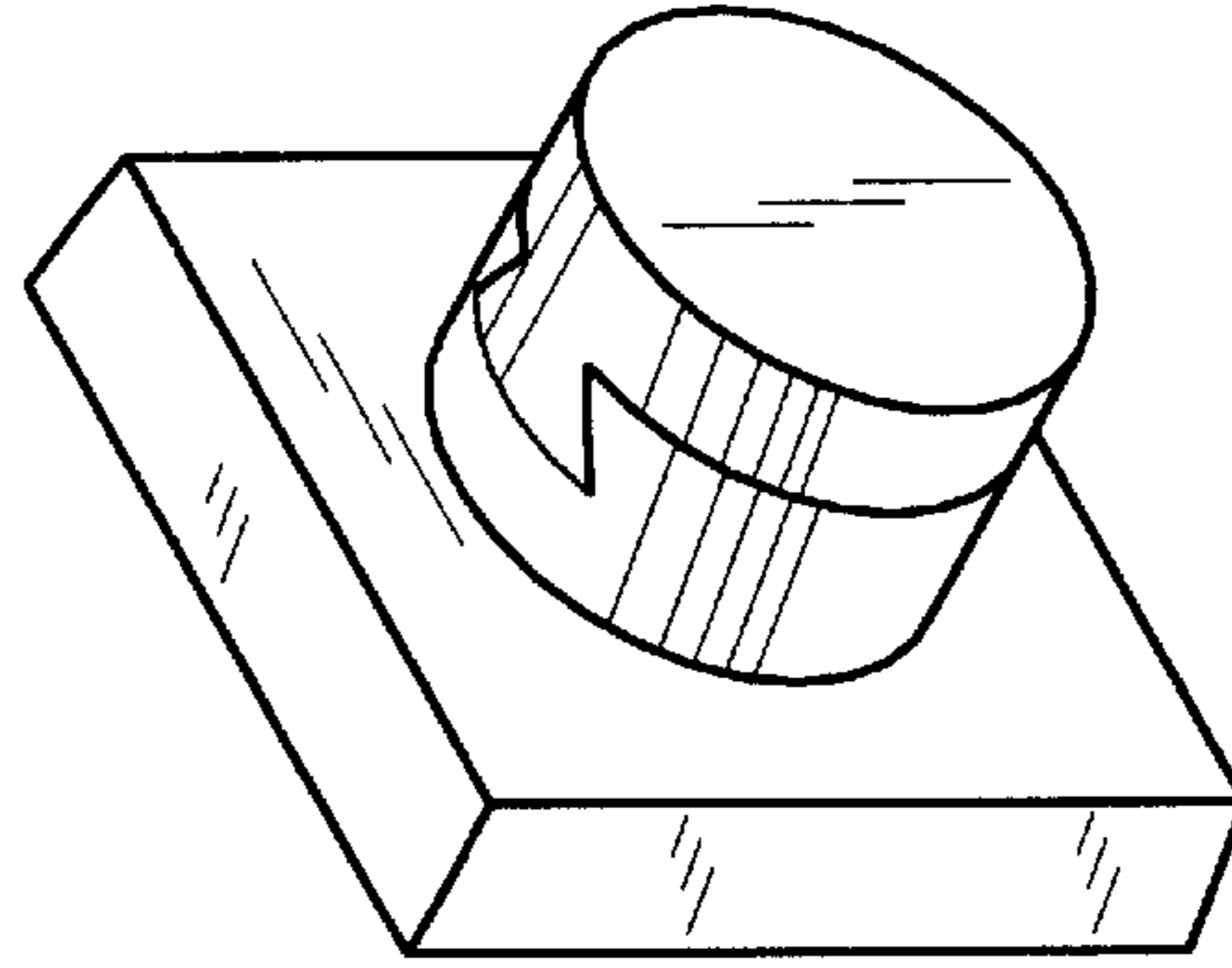


FIG. 4

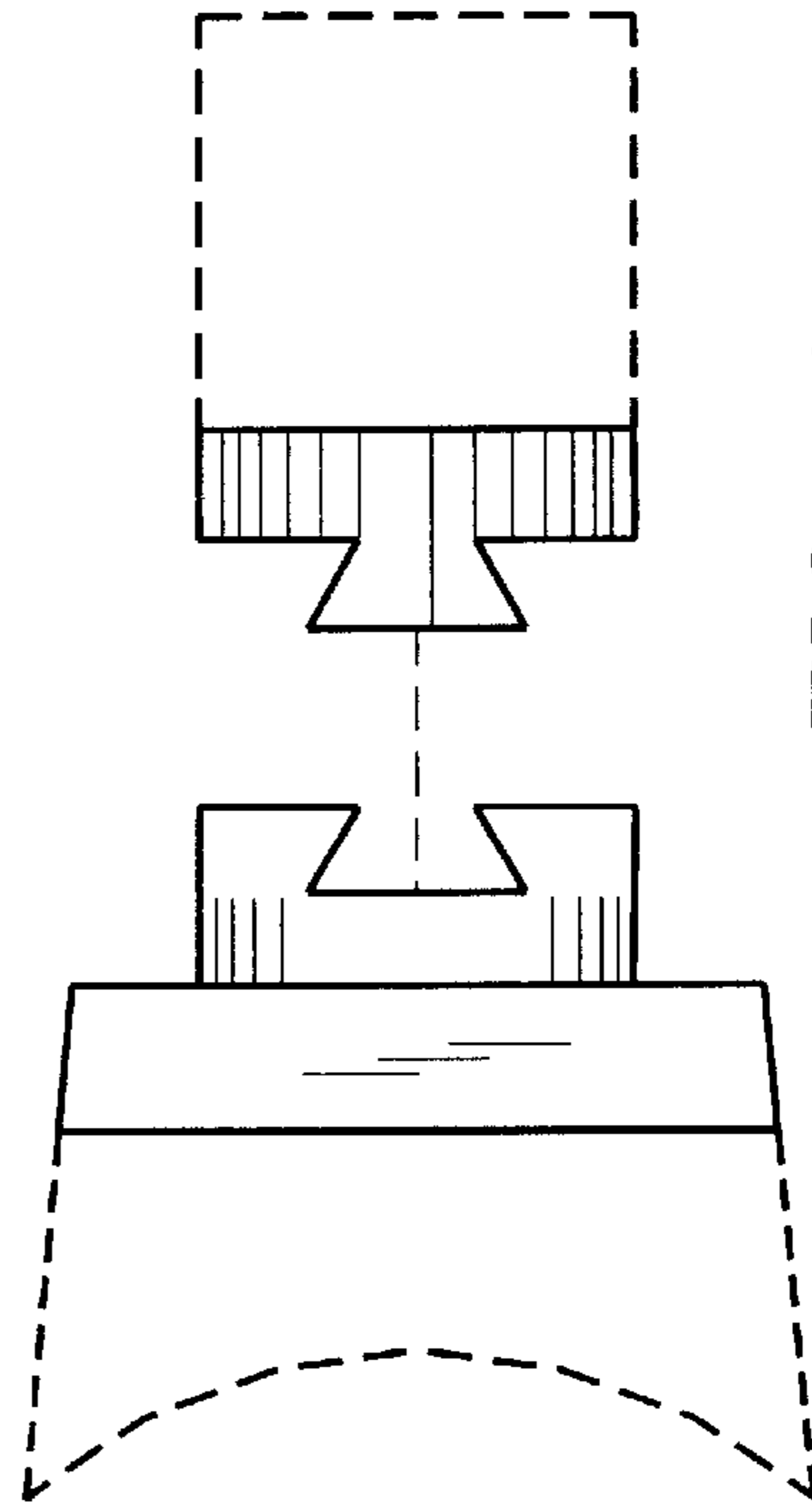


FIG. 1