



US00D486494S

(12) **United States Design Patent**  
**Gundogan et al.**

(10) **Patent No.:** **US D486,494 S**

(45) **Date of Patent:** **\*\* Feb. 10, 2004**

(54) **FRONT PANEL FOR ELECTRONIC CABINET**

D421,977 S \* 3/2000 Wong ..... D14/444  
D447,485 S \* 9/2001 Carbonneau et al. .... D14/445  
D454,881 S \* 3/2002 Daniels et al. .... D14/446  
D455,754 S \* 4/2002 Gant et al. .... D14/446

(75) Inventors: **C. Ilhan Gundogan**, Lexington, MA (US); **Gerald J. Cote**, Westborough, MA (US); **Albert F. Beinor, Jr.**, Sutton, MA (US); **Joseph P. King, Jr.**, Sterling, MA (US); **Joseph P. DeYesso**, Walpole, MA (US); **W. Brian Cunningham**, Westborough, MA (US); **Steven R. Cieluch**, Allston, MA (US)

\* cited by examiner

*Primary Examiner*—Freda Nunn  
(74) *Attorney, Agent, or Firm*—Chapin & Huang, L.L.C.; David E. Huang, Esq.

(73) Assignee: **EMC Corporation**, Hopkinton, MA (US)

(57) **CLAIM**

The ornamental design for a front panel for electronic cabinet, as shown and described.

(\*\*) Term: **14 Years**

**DESCRIPTION**

(21) Appl. No.: **29/167,918**

FIG. 1 is a perspective view of a front panel for electronic cabinet according to our new design;  
FIG. 2 is a front view thereof;  
FIG. 3 is a right side view thereof; and,  
FIG. 4 is a left side view thereof.

(22) Filed: **Sep. 24, 2002**

(51) **LOC (7) Cl.** ..... **14-02**

(52) **U.S. Cl.** ..... **D14/444**

(58) **Field of Search** ..... D14/441-446;  
D13/162, 184, 199; 312/223.2; 361/690-696

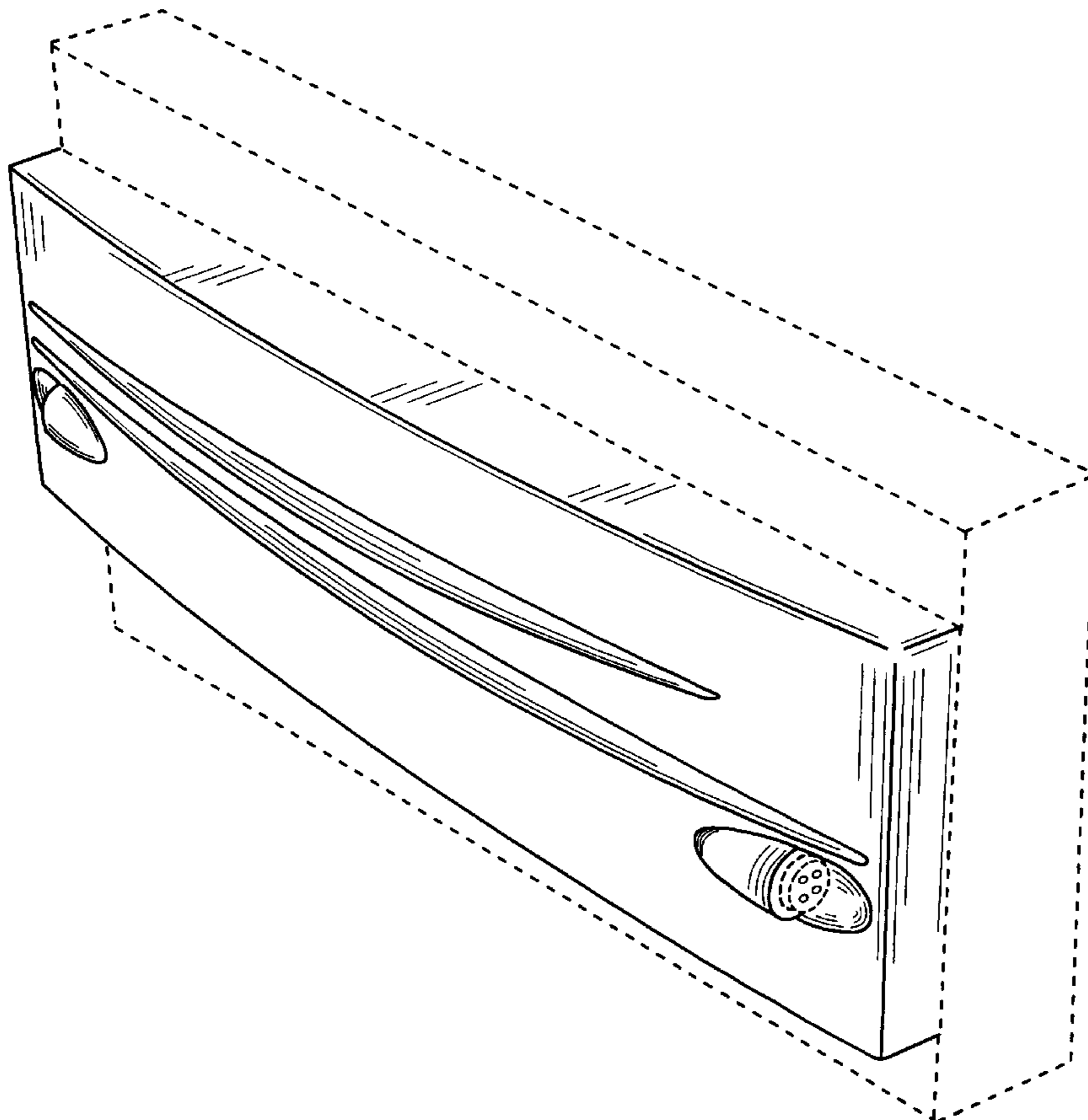
The broken line showing of environmental structure and boundaries of FIGS. 1-4 is for illustrative purposes only and forms no part of the claimed design.

(56) **References Cited**

**U.S. PATENT DOCUMENTS**

D421,431 S \* 3/2000 Mazzetti et al. .... D14/442

**1 Claim, 2 Drawing Sheets**



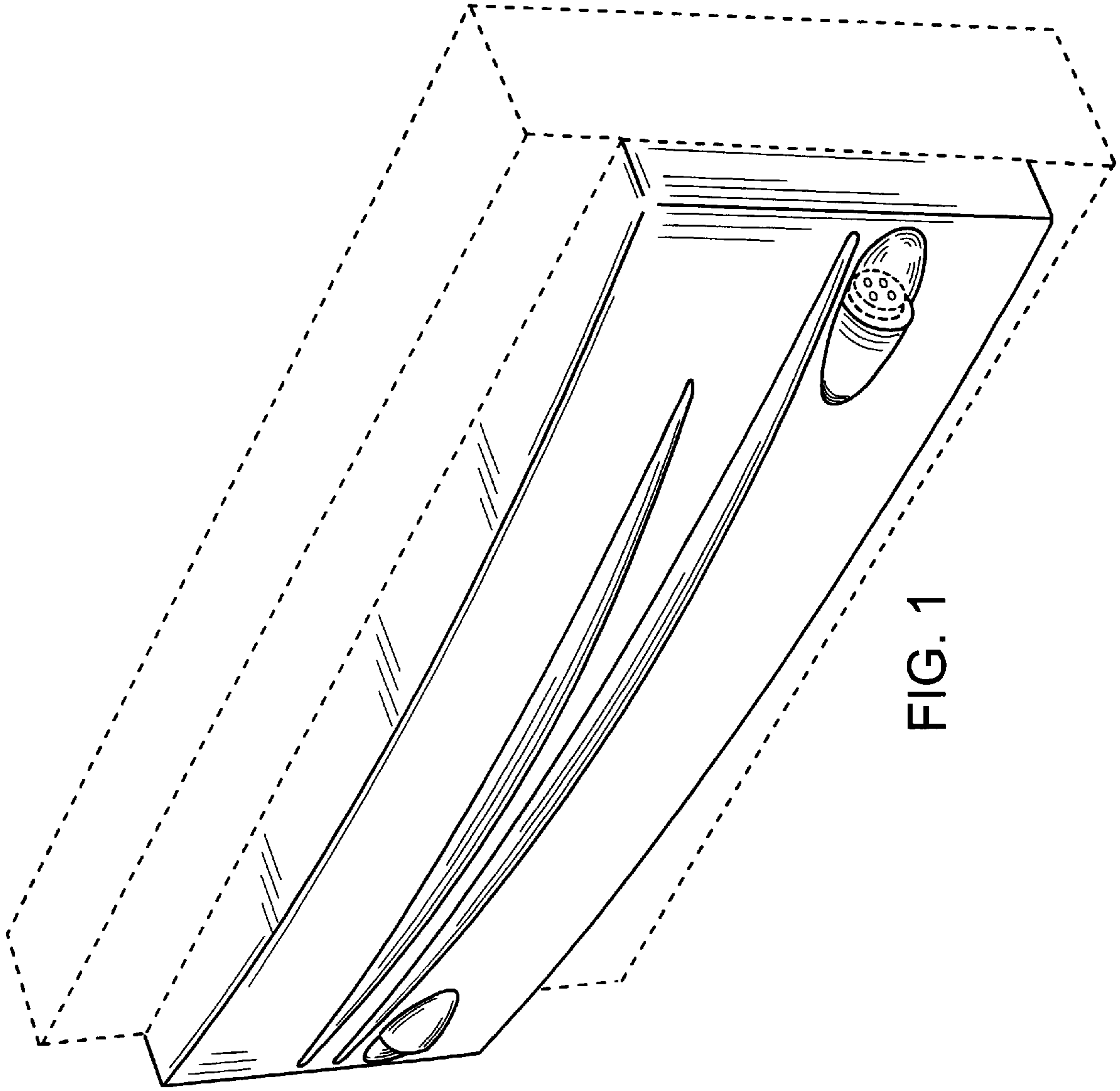


FIG. 1

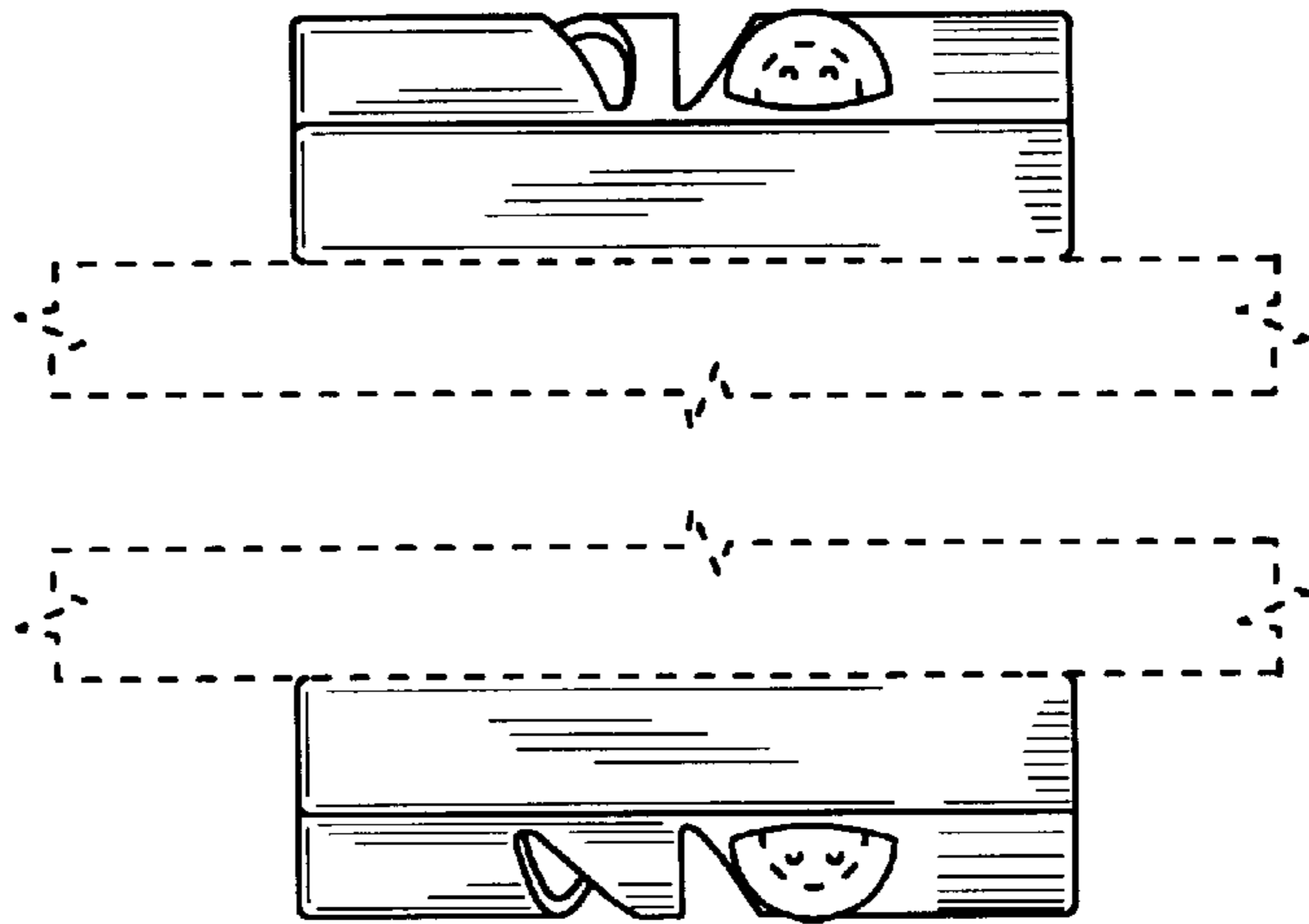


FIG. 4

FIG. 3

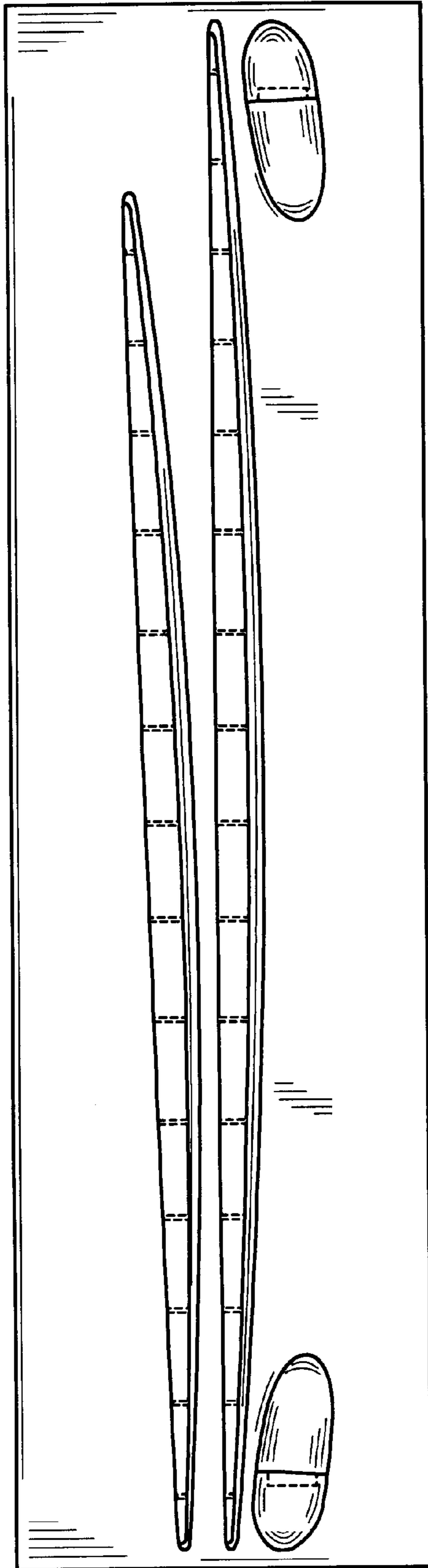


FIG. 2