



US00D486492S

(12) **United States Design Patent**
Sheu et al.

(10) **Patent No.:** **US D486,492 S**

(45) **Date of Patent:** **** Feb. 10, 2004**

(54) **HOLDER**

(75) Inventors: **Yu-Ming Sheu**, Sanchung (TW);
Wan-Hua Wu, Sanchung (TW);
Chien-Chung Hsueh, Sanchung (TW);
Mei-Chieh Ku, Sanchung (TW);
Tzu-Yu Huang, Sanchung (TW);
Wei-Chieh Lee, Sanchung (TW);
Kuo-Liang Wei, Sanchung (TW)

(73) Assignee: **Benq Corporation**, Taoyuan (TW)

(**) Term: **14 Years**

(21) Appl. No.: **29/176,856**

(22) Filed: **Feb. 26, 2003**

(30) **Foreign Application Priority Data**

Nov. 18, 2002 (TW) 91306722

(51) **LOC (7) Cl.** **14-02**

(52) **U.S. Cl.** **D14/434; D14/447**

(58) **Field of Search** D14/432, 434,
D14/447, 451, 448, 457; 361/686, 679-683;
D21/324, 333; 273/148 B; D13/108, 107

(56) **References Cited**

U.S. PATENT DOCUMENTS

D359,034 S * 6/1995 Kondo D14/434

D371,769 S * 7/1996 Shima et al. D14/434

D408,025 S * 4/1999 Tanimura D14/434

D411,835 S * 7/1999 Mizusugi et al. D14/434

D423,473 S * 4/2000 Iwamoto D14/434

D472,900 S * 4/2003 Matsumoto D14/447

* cited by examiner

Primary Examiner—Kay H. Chin

(74) *Attorney, Agent, or Firm*—Ladas & Parry

(57) **CLAIM**

The ornamental design for a holder, as shown and described.

DESCRIPTION

FIG. 1 is a front perspective view of a holder showing our new design;

FIG. 2 is a right side elevational view thereof;

FIG. 3 is a top plan view thereof;

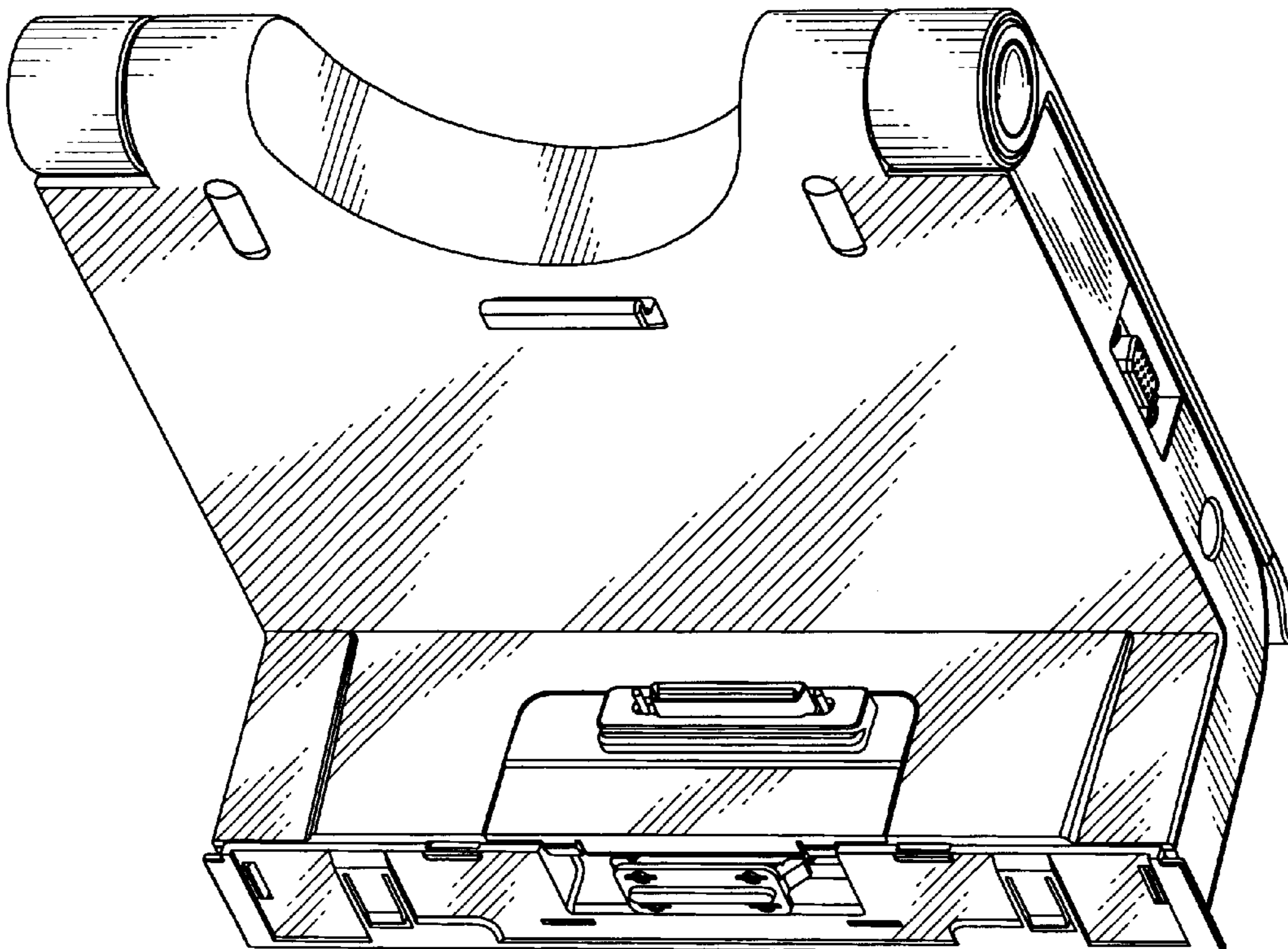
FIG. 4 is a front elevational view thereof;

FIG. 5 is a bottom plan view thereof;

FIG. 6 is a left side elevational view thereof; and,

FIG. 7 is a rear elevational view thereof.

1 Claim, 7 Drawing Sheets



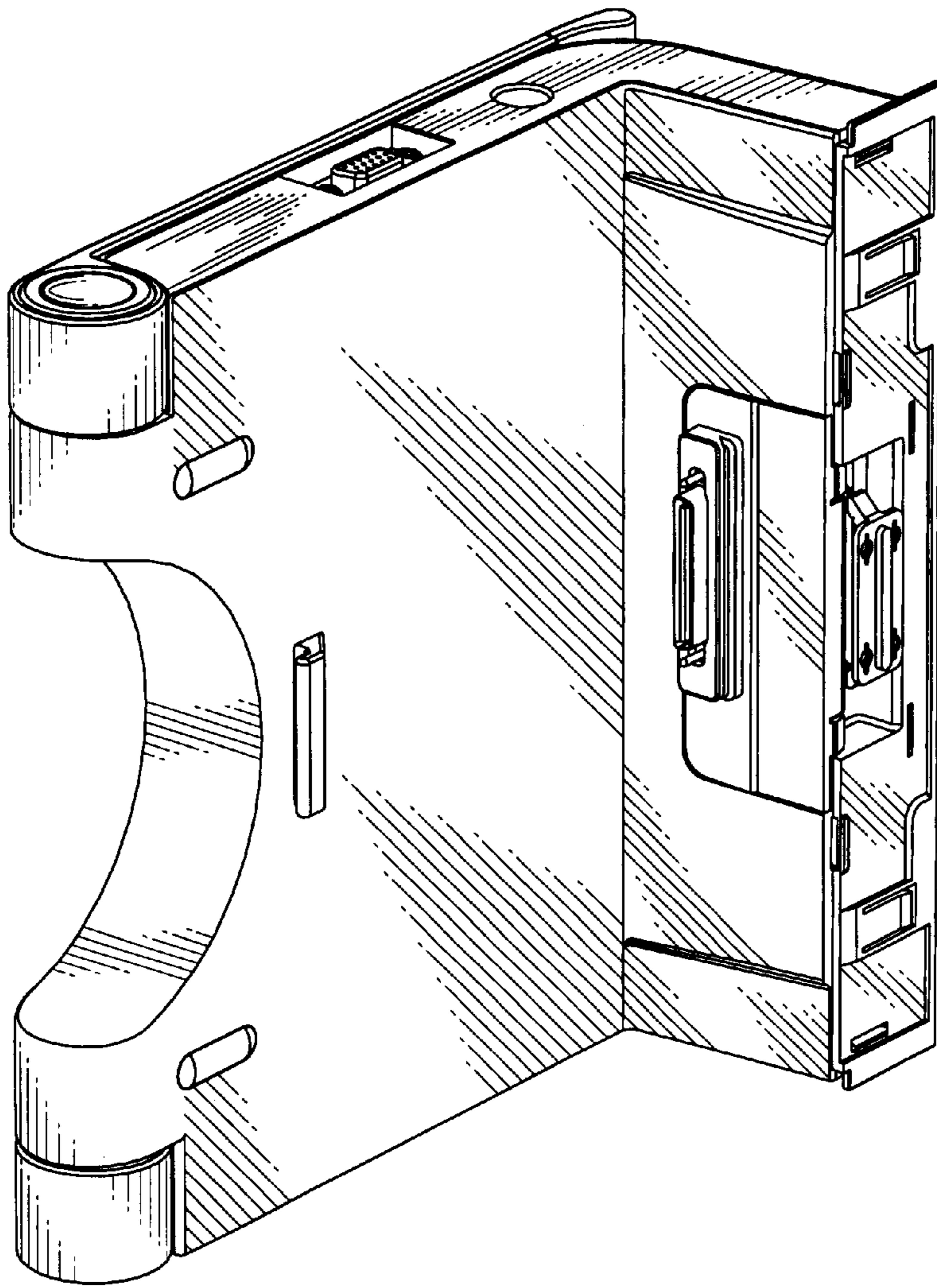


FIG. 1

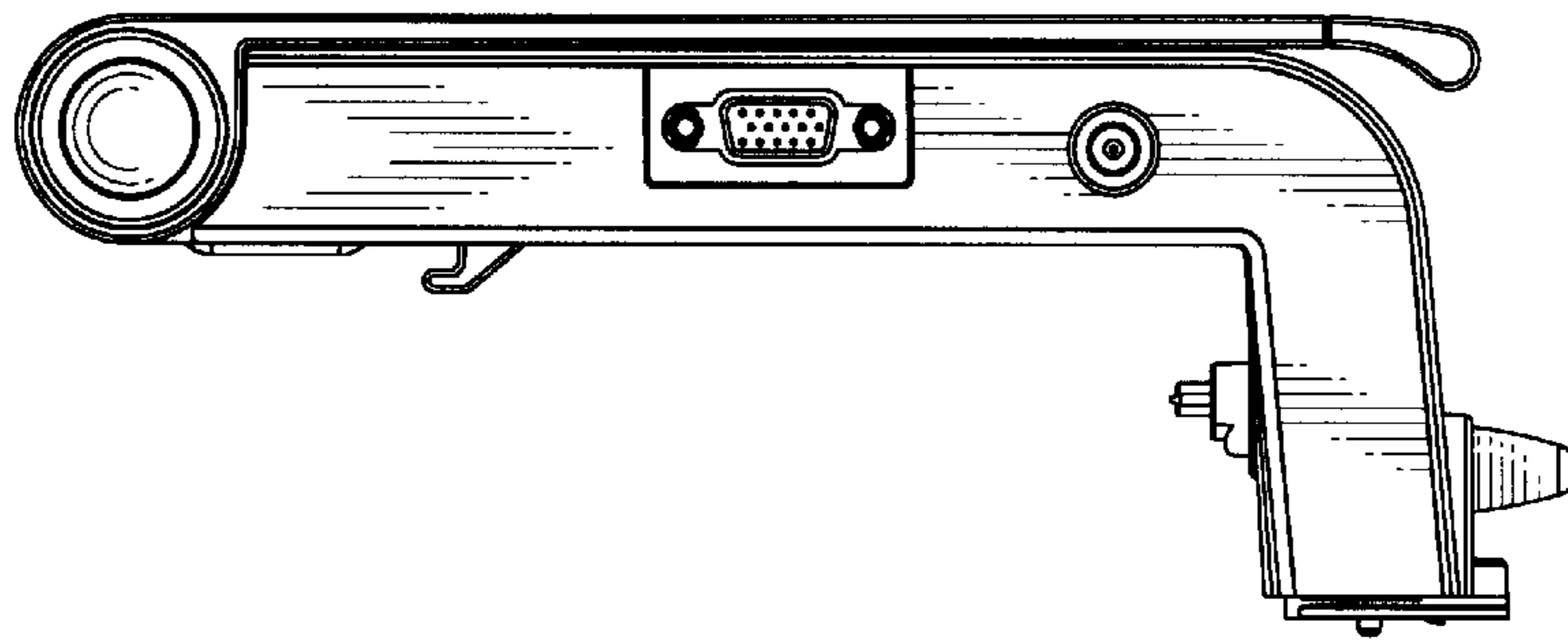


FIG. 2

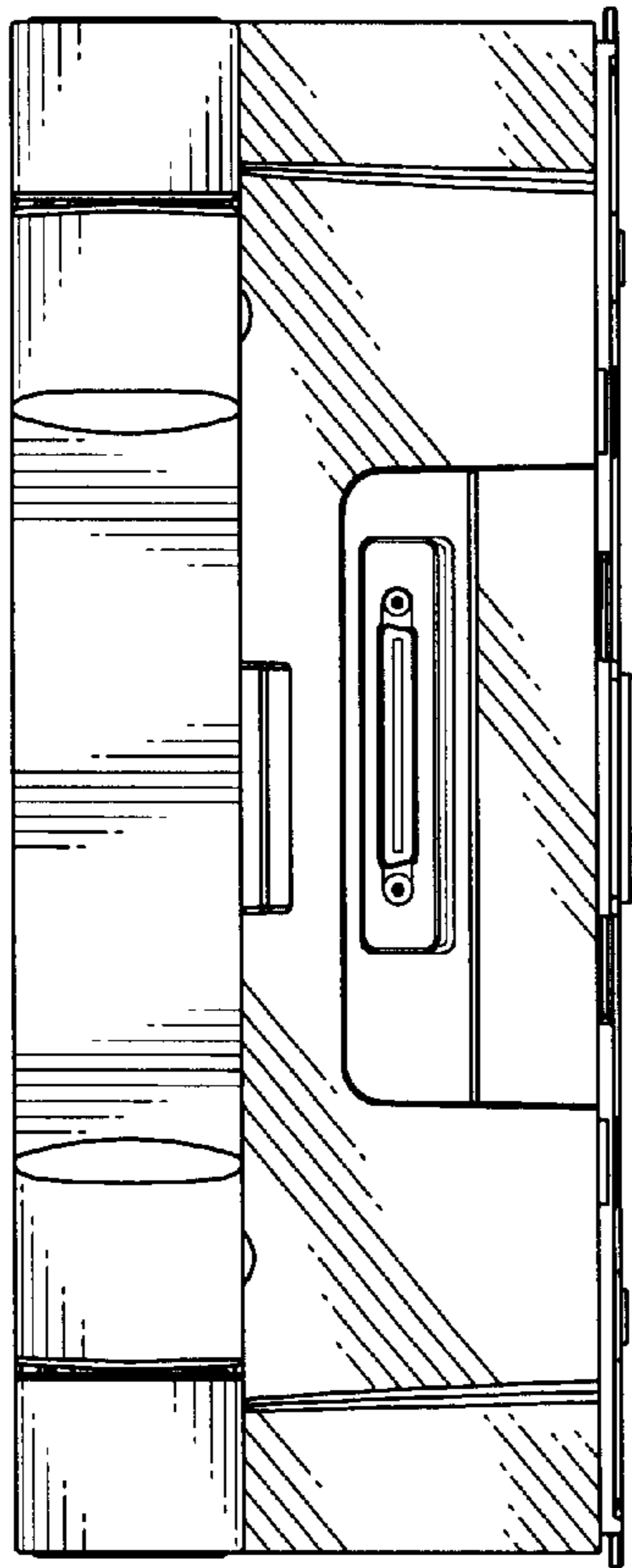


FIG. 3

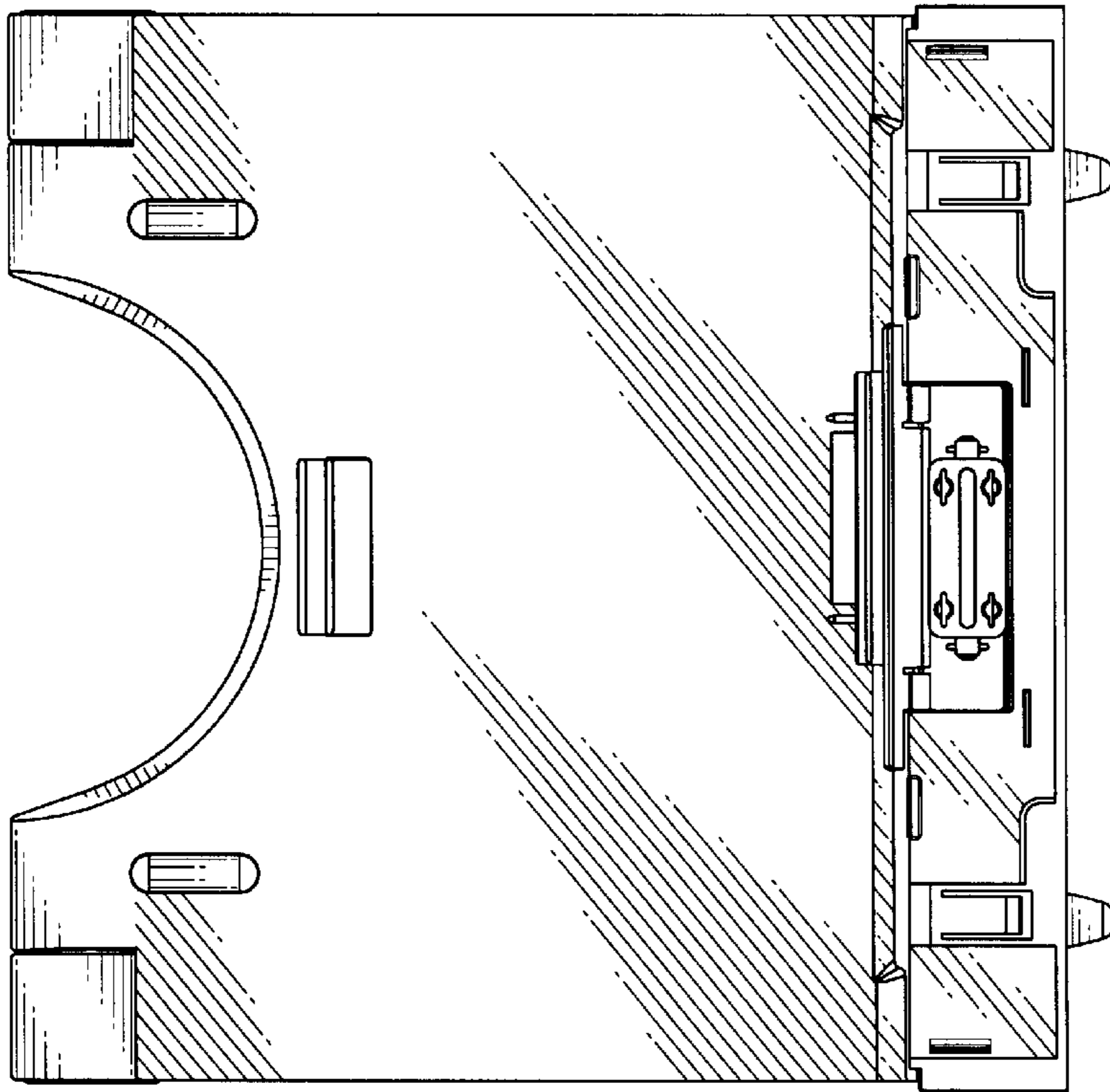


FIG. 4

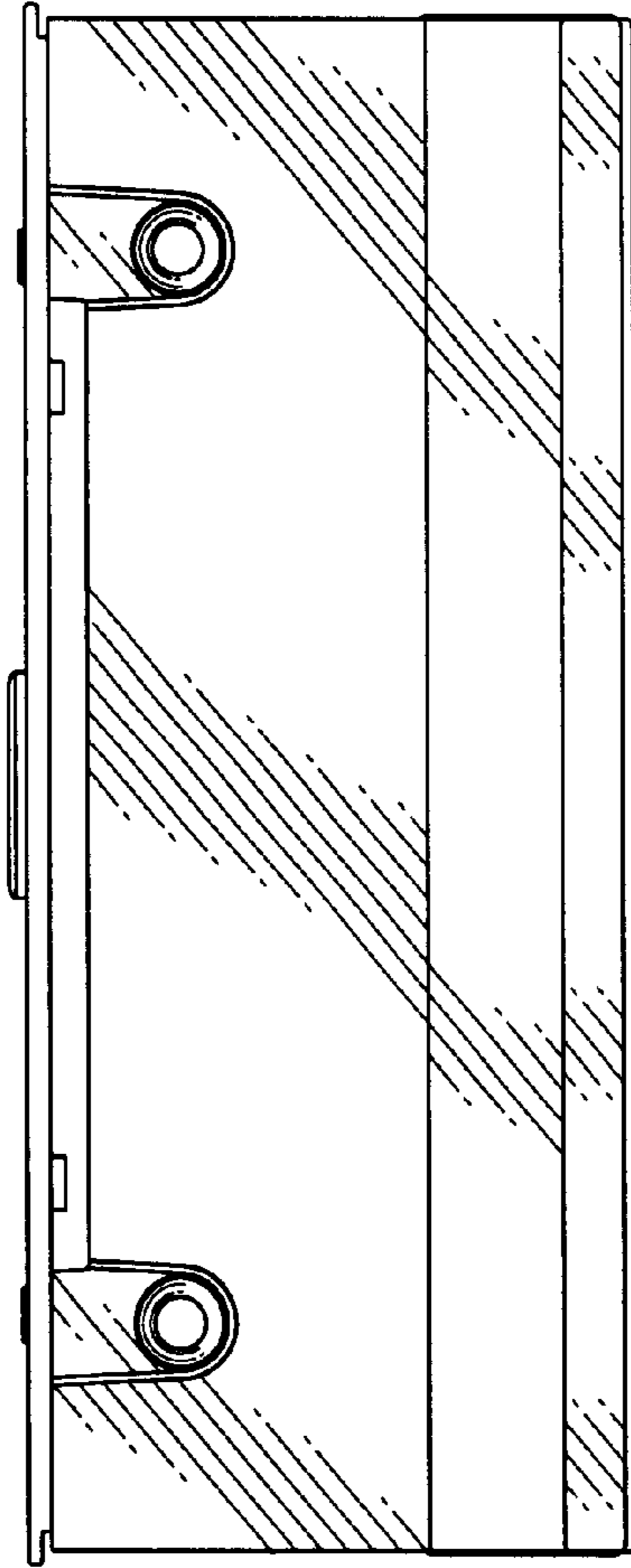


FIG. 5

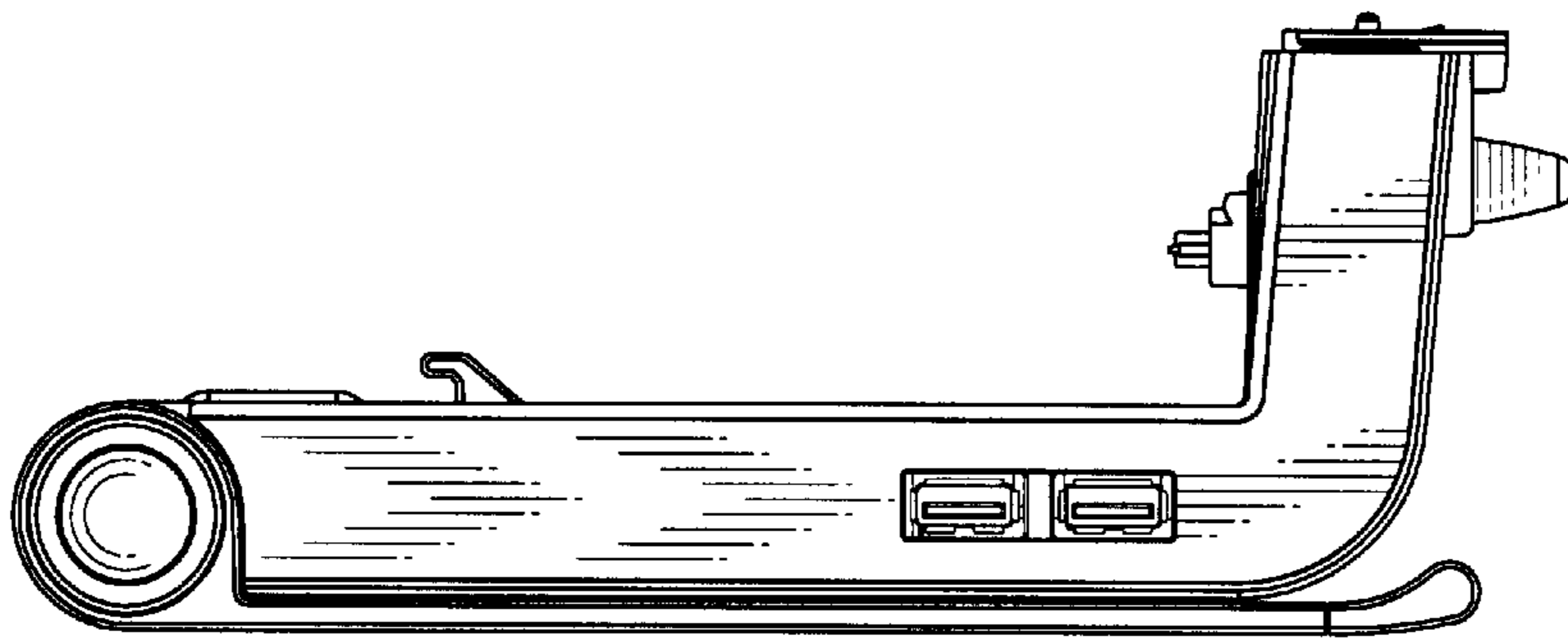


FIG. 6

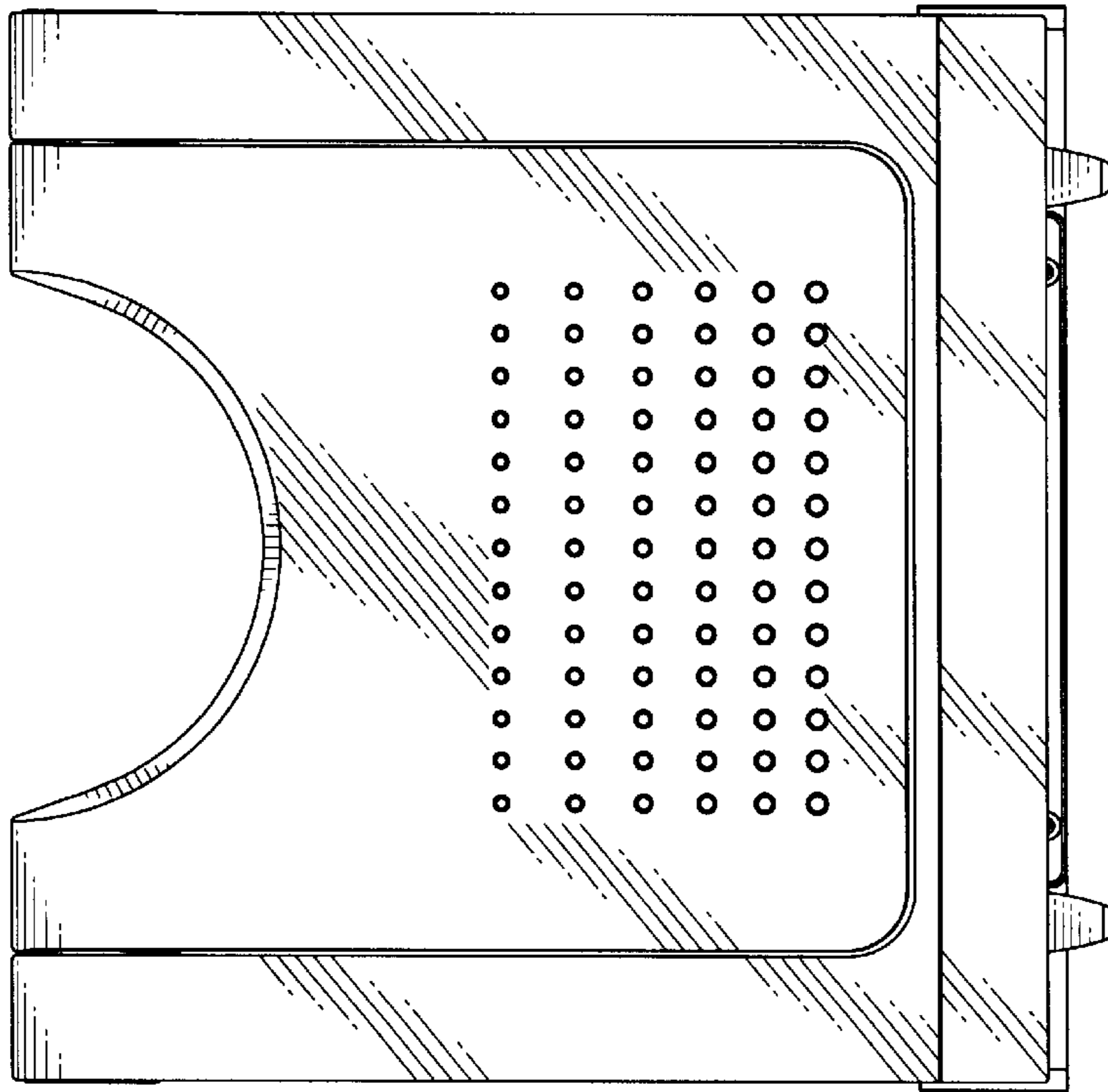


FIG. 7