



US00D486488S

(12) **United States Design Patent**
Olodort et al.

(10) **Patent No.:** **US D486,488 S**
(45) **Date of Patent:** **** Feb. 10, 2004**

(54) **FOLDABLE KEYBOARD**

(75) Inventors: **Robert Olodort**, Santa Monica, CA (US); **Peter M. Cazalet**, Campbell, CA (US); **John Tang**, San Carlos, CA (US); **Scott Summit**, San Francisco, CA (US)

(73) Assignee: **Think Outside, Inc.**, Santa Clara, CA (US)

(**) Term: **14 Years**

(21) Appl. No.: **29/171,715**

(22) Filed: **Nov. 27, 2002**

(51) **LOC (7) Cl.** **14-02**

(52) **U.S. Cl.** **D14/396**

(58) **Field of Search** D14/392-394,
D14/396, 345; D18/1, 2, 7; 178/17 A, 17 C;
200/5 A, 5 R, 6 A, 6 R; 345/160, 168;
341/22, 23; 235/145 A, 145 R; 400/472,
479, 484-489; 361/680

(56) **References Cited**

U.S. PATENT DOCUMENTS

4,509,873 A	*	4/1985	Ryan	400/489
5,457,453 A	*	10/1995	Chiu et al.	341/22
5,712,760 A	*	1/1998	Coulon et al.	361/680
D420,655 S	*	2/2000	Louis et al.	D14/396
D448,032 S	*	9/2001	Talley	D14/396
D457,525 S	*	5/2002	Olodort et al.	D14/396

* cited by examiner

Primary Examiner—Freda Nunn

(74) *Attorney, Agent, or Firm*—Blakely, Sokoloff, Taylor & Zafman LLP

(57) **CLAIM**

The ornamental design for a foldable keyboard, as shown and described.

DESCRIPTION

A portion of the disclosure of this patent document contains material to which a claim for copyright is made. The

copyright owner has no objection to the facsimile reproduction by anyone of the patent documents or the patent disclosure as it appears in the Patent and Trademark Office patent file or records, but reserves all other copyright rights whatsoever.

FIG. 1 is a top view of a foldable keyboard, showing our new ornamental design.

FIG. 2 is a front view of a foldable keyboard, showing our new ornamental design.

FIG. 3 is a bottom view of a foldable keyboard, showing our new ornamental design.

FIG. 4 is a back view of a foldable keyboard, showing our new ornamental design.

FIG. 5 is a right side view of a foldable keyboard, showing our new ornamental design.

FIG. 6 is a left side view of a foldable keyboard, showing our new ornamental design.

FIG. 7 is a top perspective view of a foldable keyboard, showing our new ornamental design.

FIG. 8 is a bottom perspective view of a foldable keyboard, showing our new ornamental design.

FIG. 9 is a top view of a foldable keyboard, showing an alternate position of our new ornamental design.

FIG. 10 is a front view of a foldable keyboard, showing an alternate position of our new ornamental design.

FIG. 11 is a bottom view of a foldable keyboard, showing an alternate position of our new ornamental design.

FIG. 12 is a back view of a foldable keyboard, showing an alternate position of our new ornamental design.

FIG. 13 is a left side view of a foldable keyboard, showing an alternate position of our new ornamental design.

FIG. 14 is a right side view of a foldable keyboard, showing an alternate position of our new ornamental design.

FIG. 15 is a top perspective view of a foldable keyboard, showing an alternate position of our new ornamental design.

FIG. 16 is another top perspective view of a foldable keyboard, showing an alternate position of our new ornamental design.

FIG. 17 is a top view of a foldable keyboard, showing an alternate position of our new ornamental design.

FIG. 18 is a front view of a foldable keyboard, showing an alternate position of our new ornamental design.

FIG. 19 is a bottom view of a foldable keyboard, showing an alternate position of our new ornamental design.

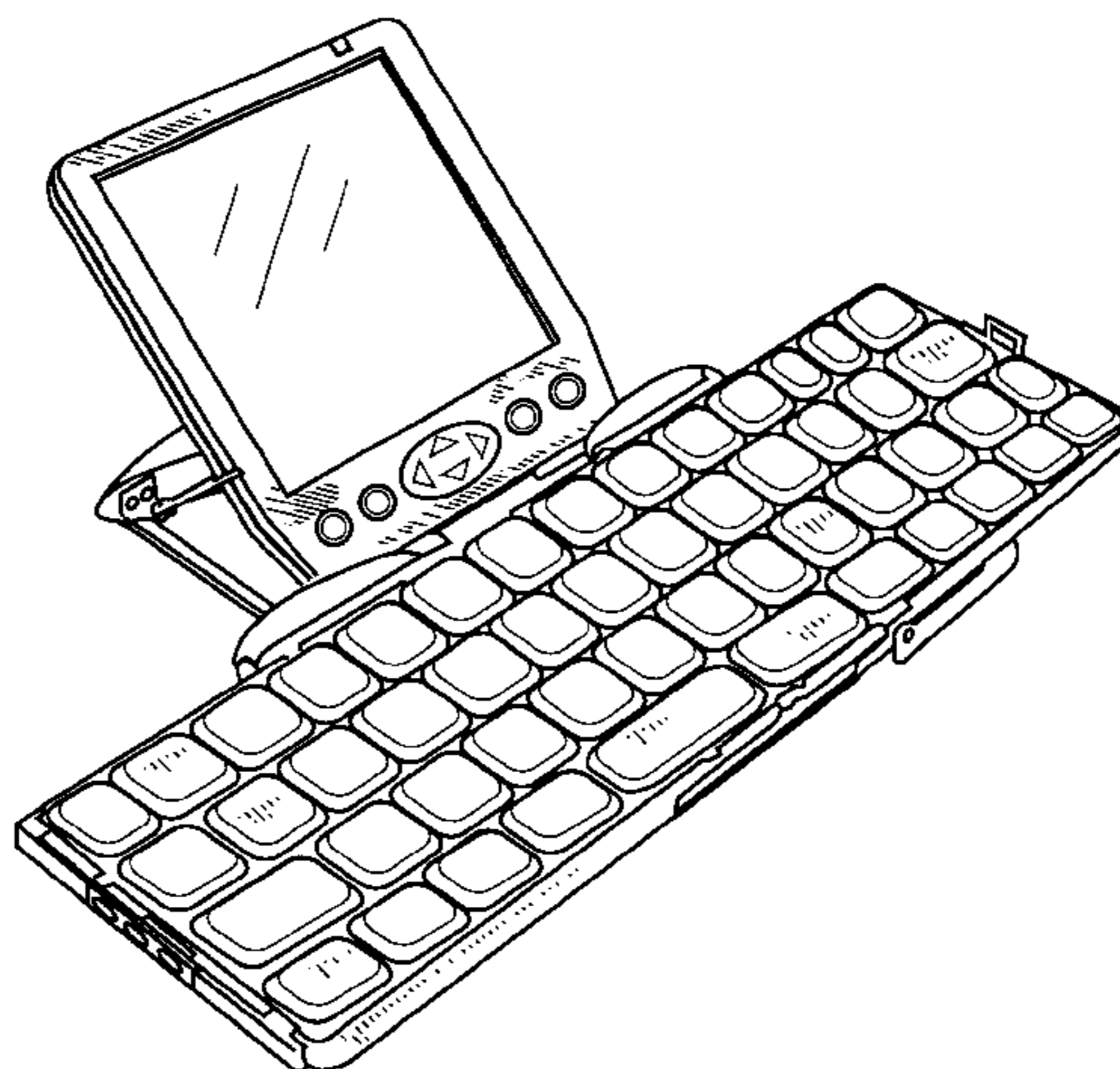
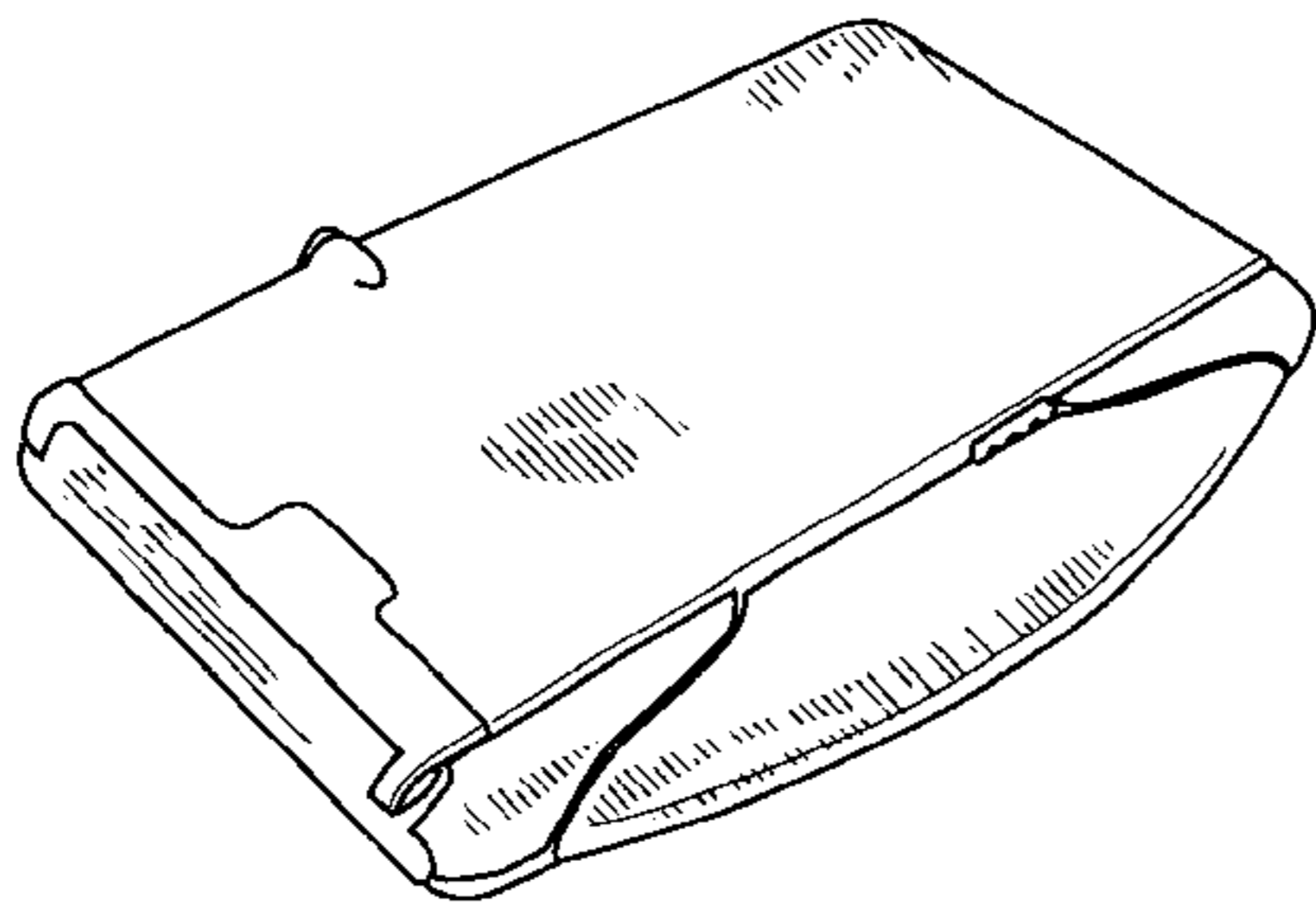


FIG. 20 is a back view of a foldable keyboard, showing an alternate position of our new ornamental design.

FIG. 21 is a right side view of a foldable keyboard, showing an alternate position of our new ornamental design.

FIG. 22 is a left side view of a foldable keyboard, showing an alternate position of our new ornamental design.

FIG. 23 is a top perspective view of a foldable keyboard, showing an alternate position of our new ornamental design.

FIG. 24 is another top perspective view of a foldable keyboard, showing an alternate position of our new ornamental design.

FIG. 25 is a top view of a foldable keyboard, showing an alternate position of our new ornamental design.

FIG. 26 is a front view of a foldable keyboard, showing an alternate position of our new ornamental design.

FIG. 27 is a bottom view of a foldable keyboard, showing an alternate position of our new ornamental design.

FIG. 28 is a back view of a foldable keyboard, showing an alternate position of our new ornamental design.

FIG. 29 is a right side view of a foldable keyboard, showing an alternate position of our new ornamental design.

FIG. 30 is a left side view of a foldable keyboard, showing an alternate position of our new ornamental design.

FIG. 31 is a top perspective view of a foldable keyboard, showing an alternate position of our new ornamental design; and,

FIG. 32 is another top perspective view of a foldable keyboard, showing an alternate position of our new ornamental design.

1 Claim, 16 Drawing Sheets

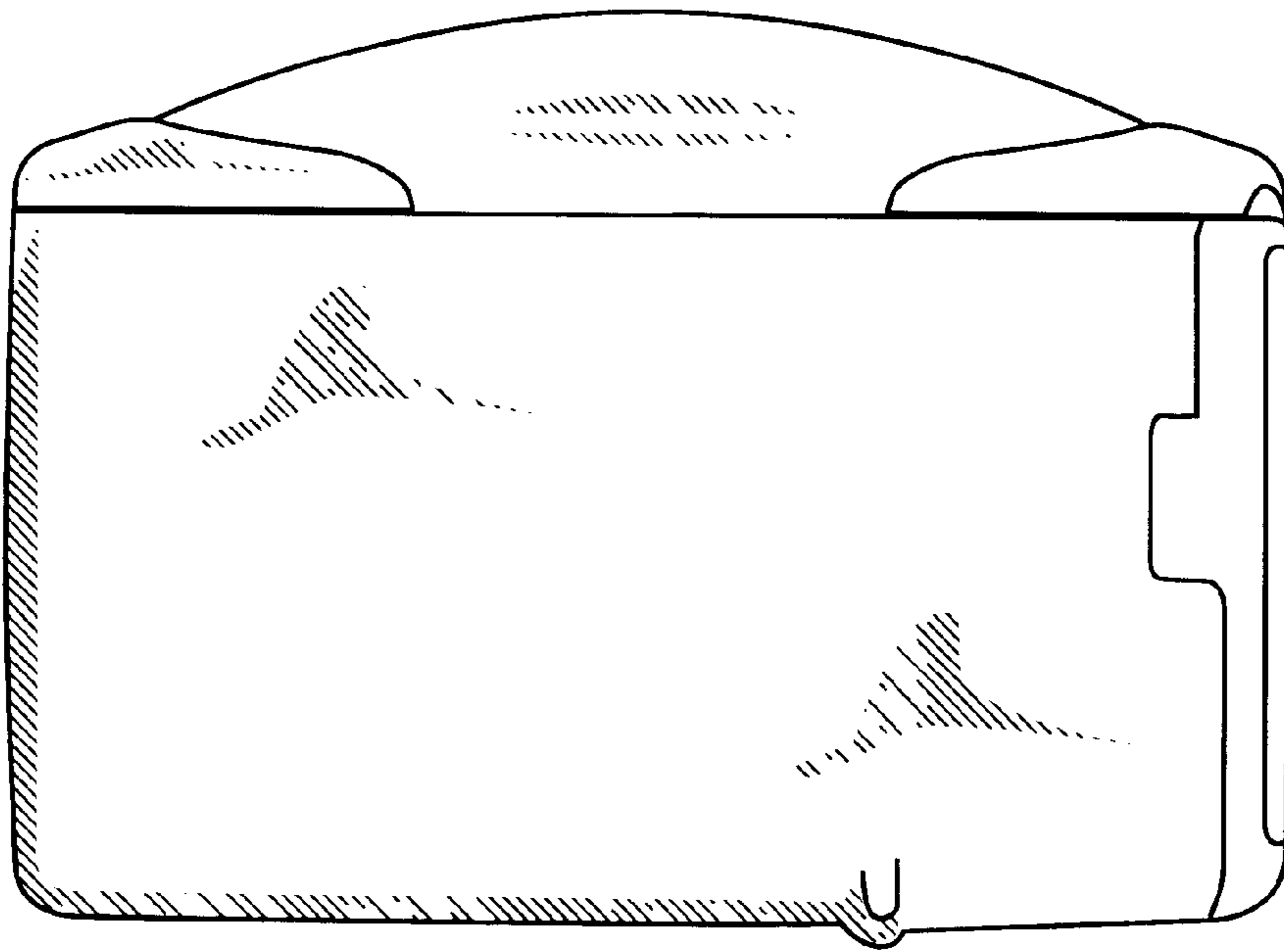


FIG. 1

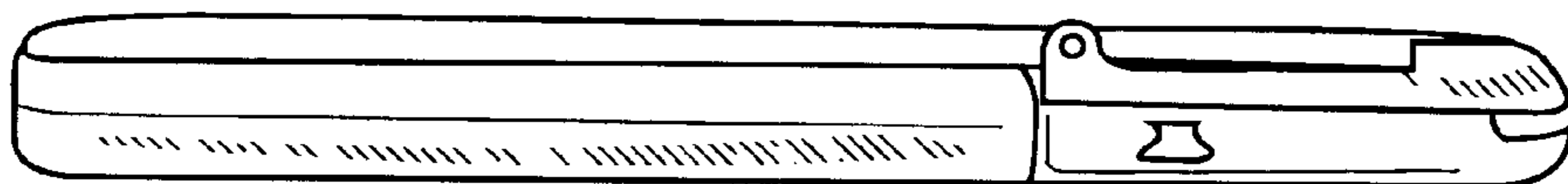


FIG. 2

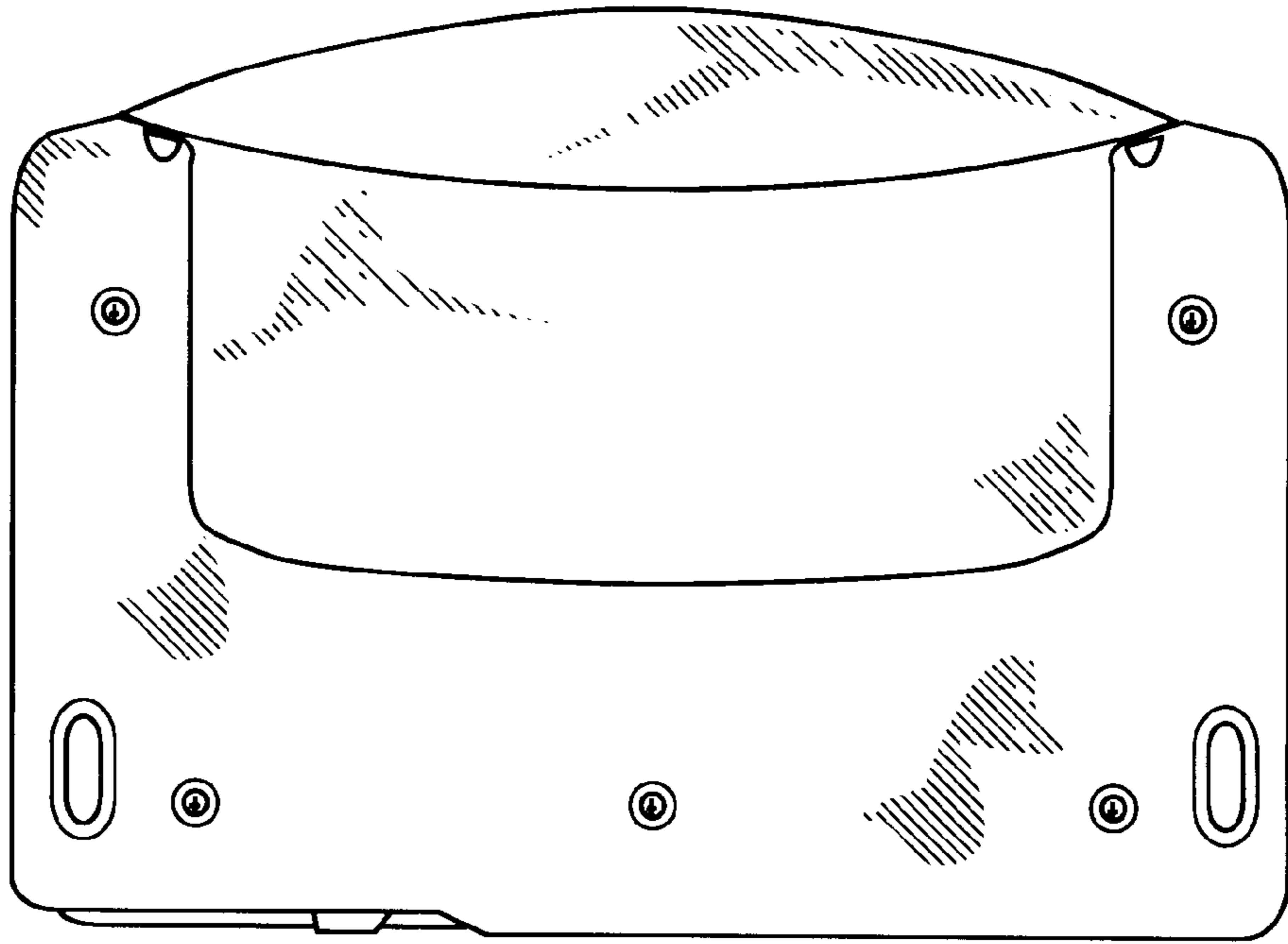


FIG. 3

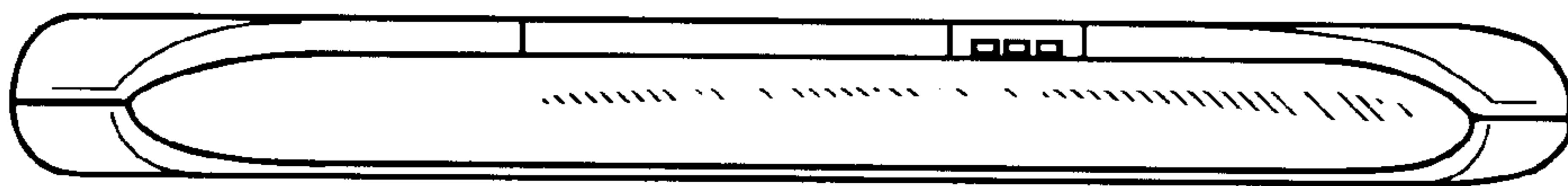


FIG. 4

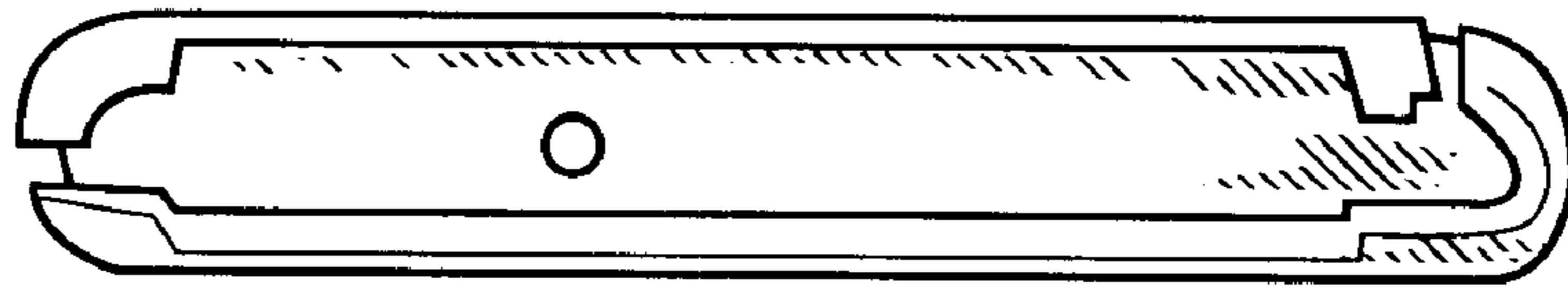


FIG. 5

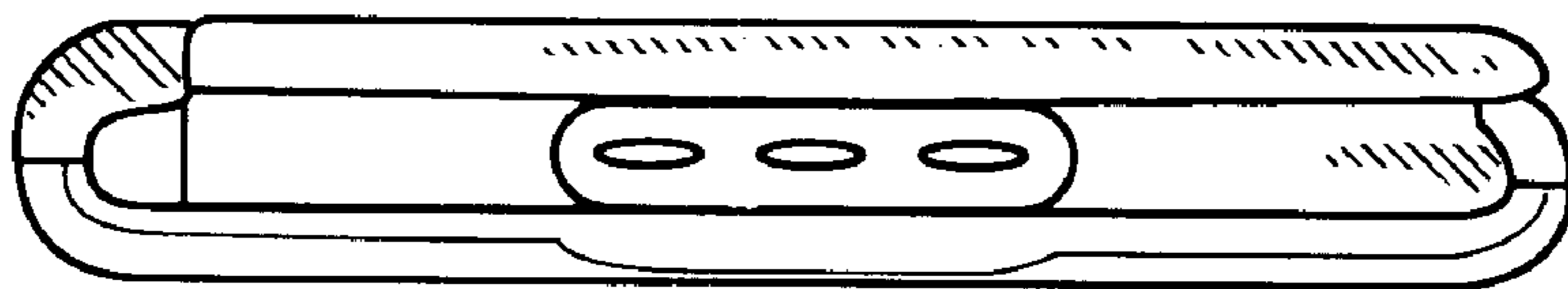


FIG. 6

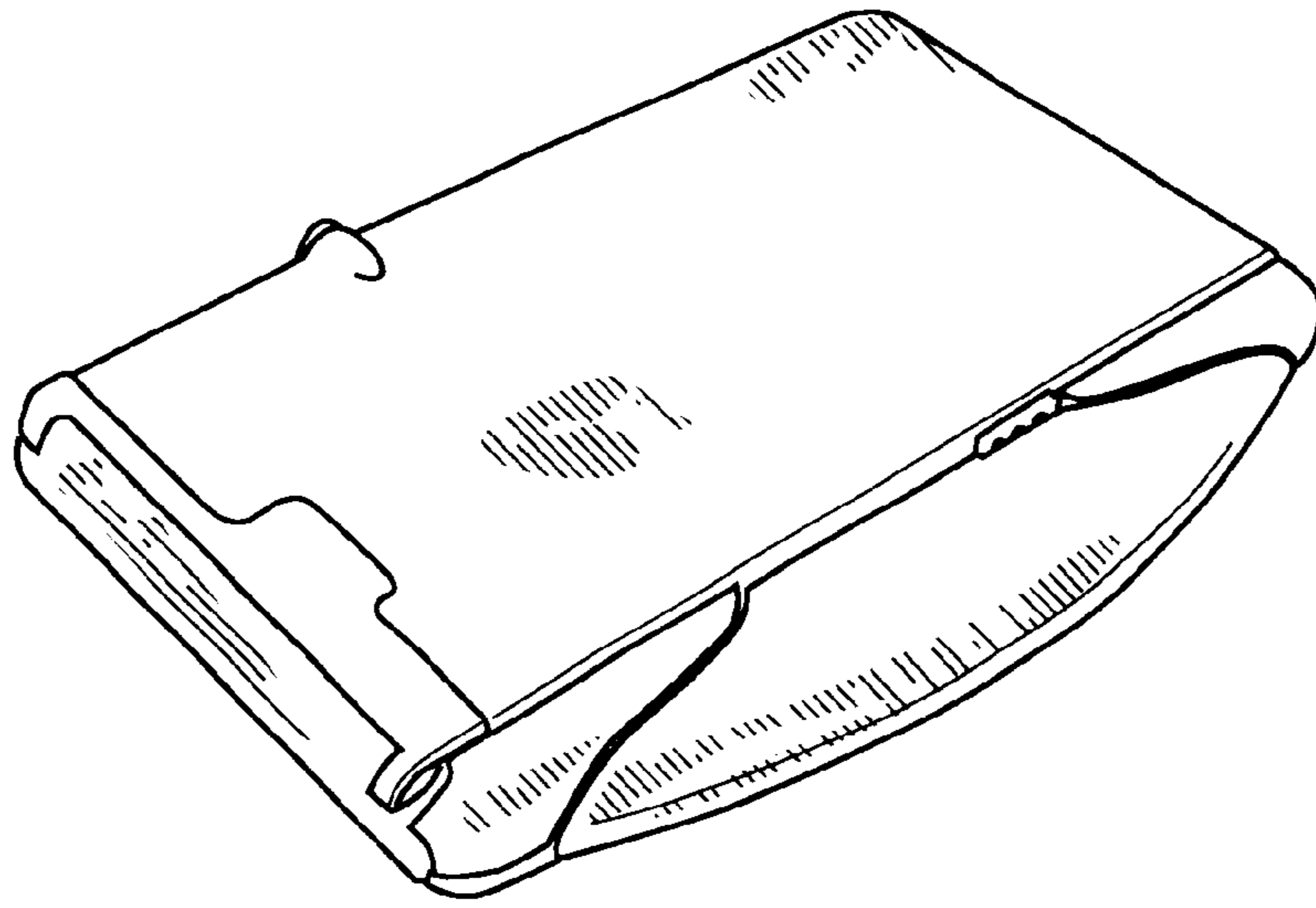


FIG. 7

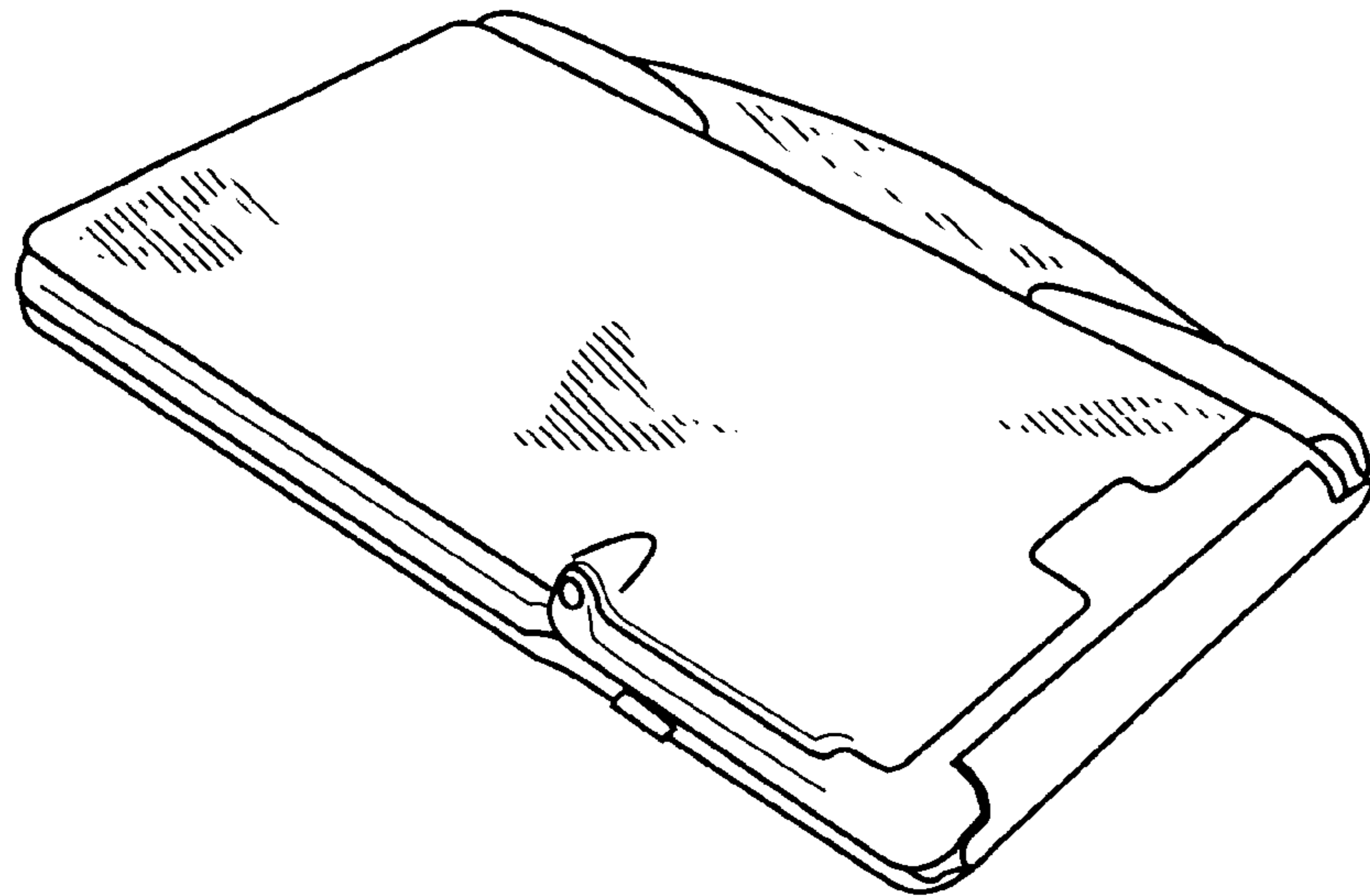


FIG. 8

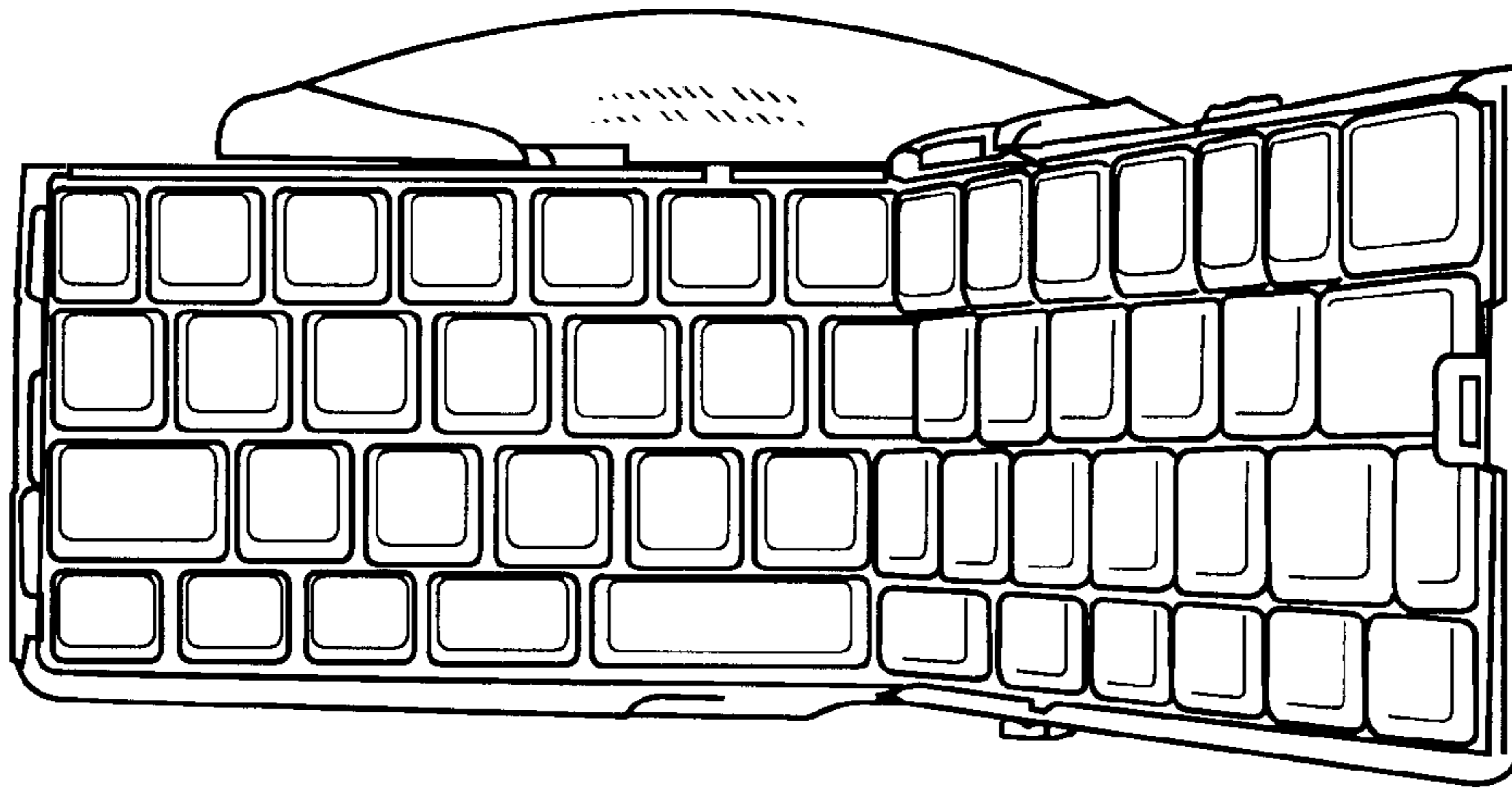


FIG. 9

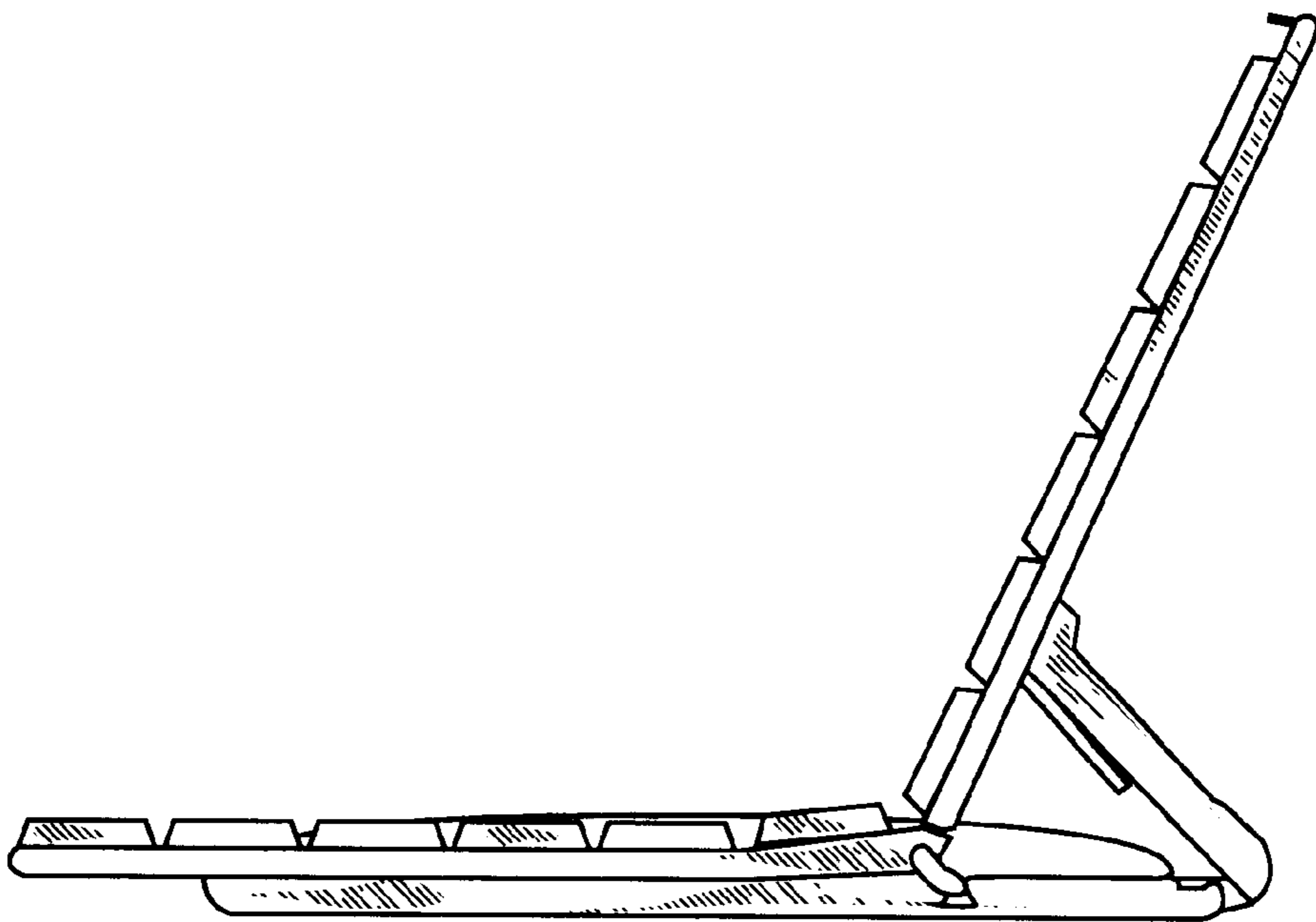


FIG. 10

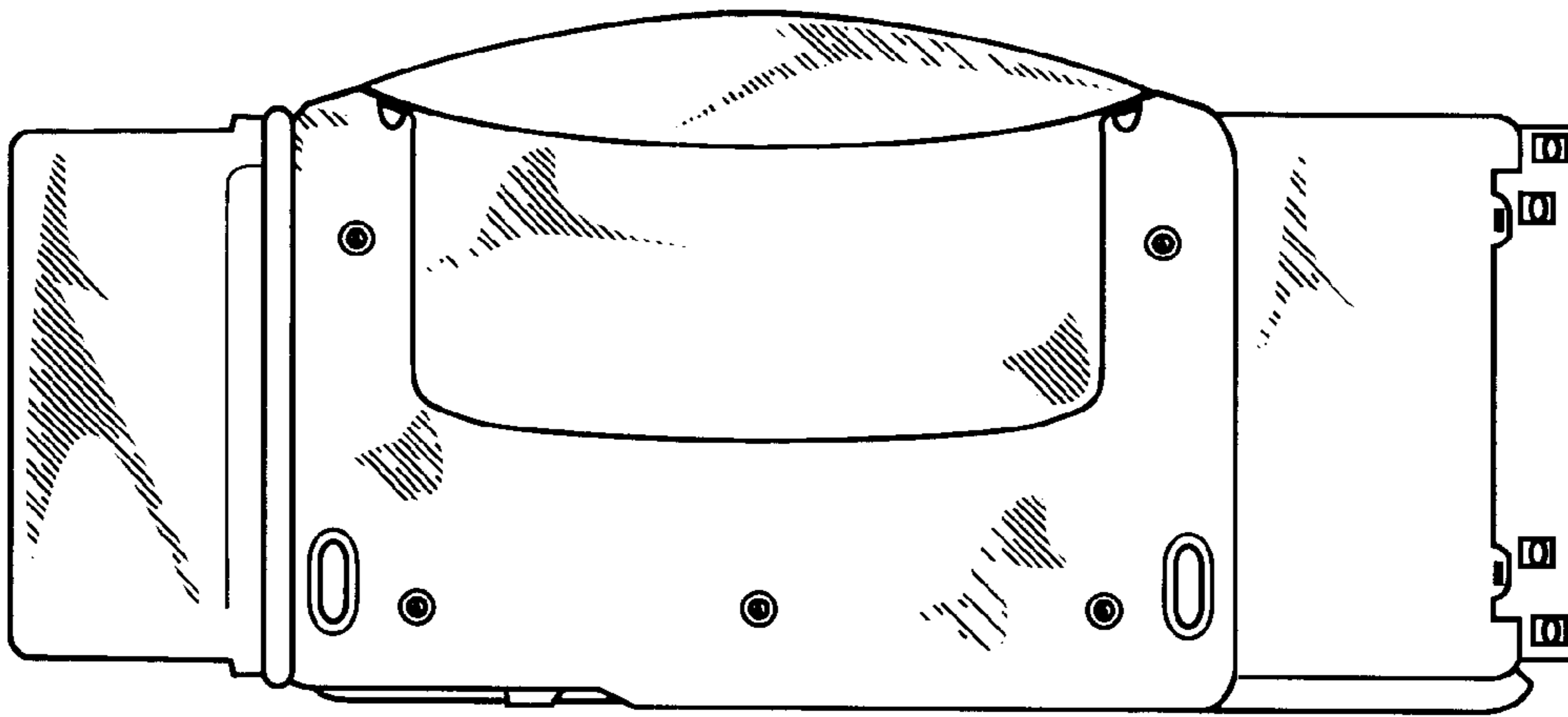


FIG. 11

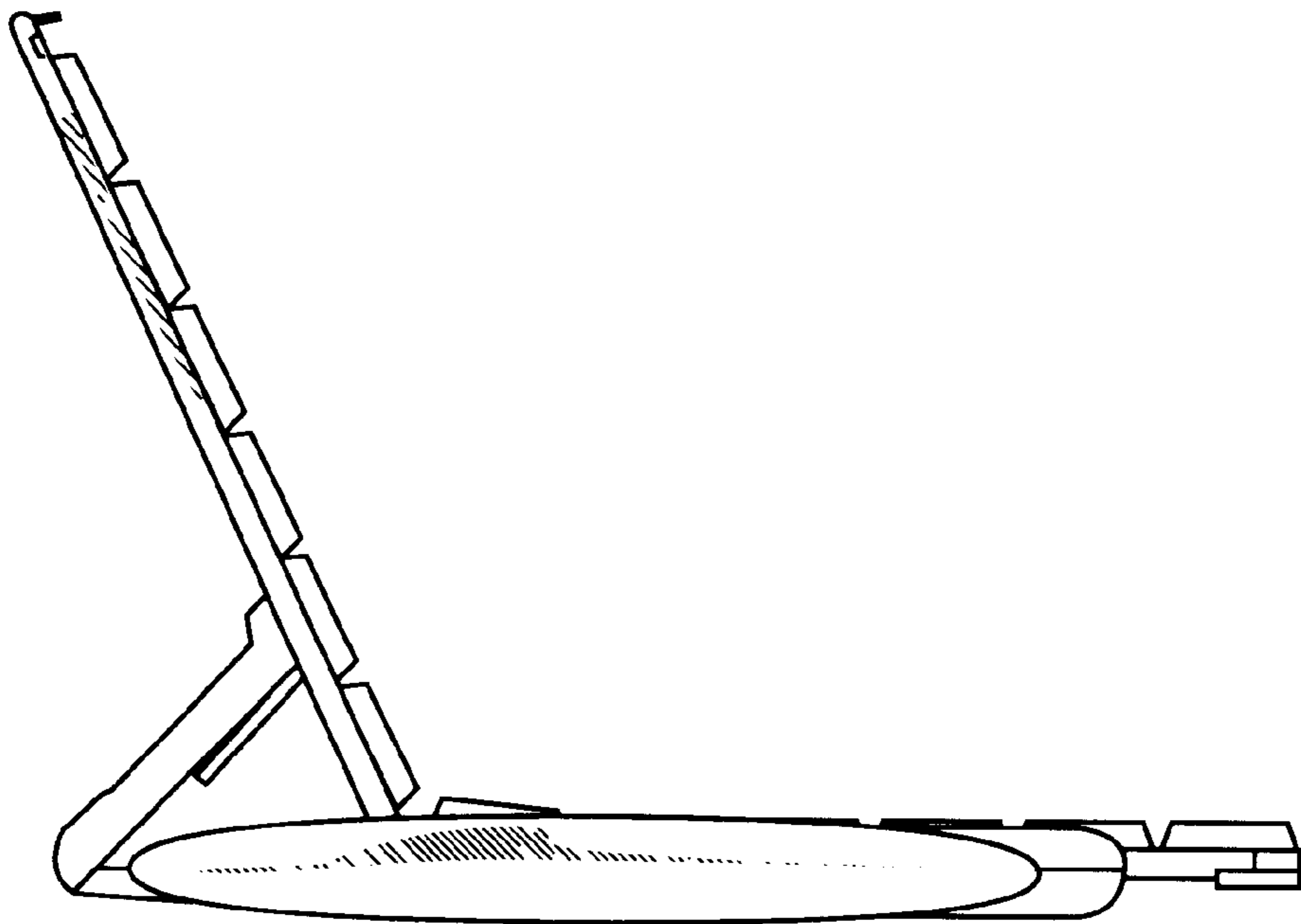


FIG. 12

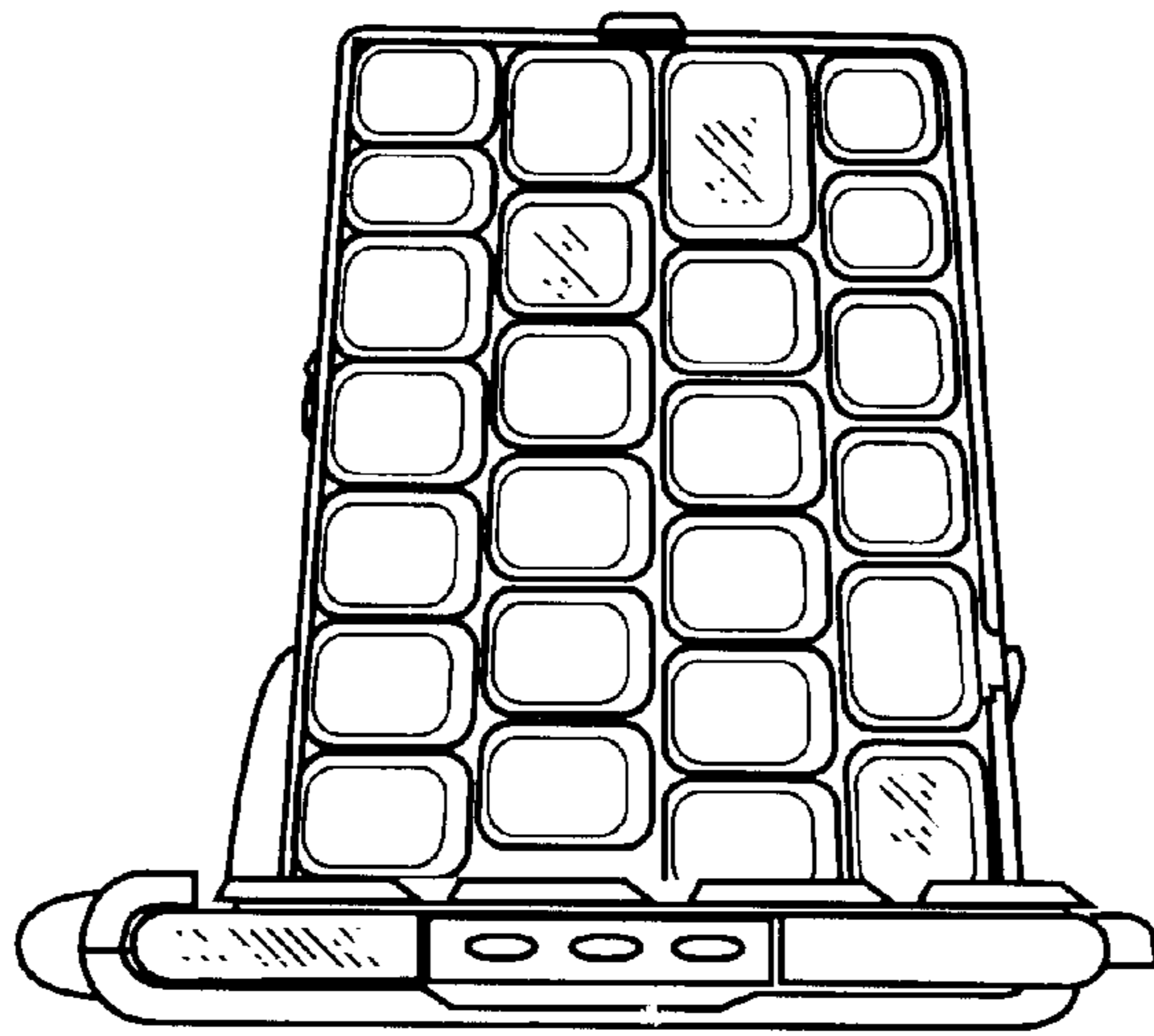


FIG. 13

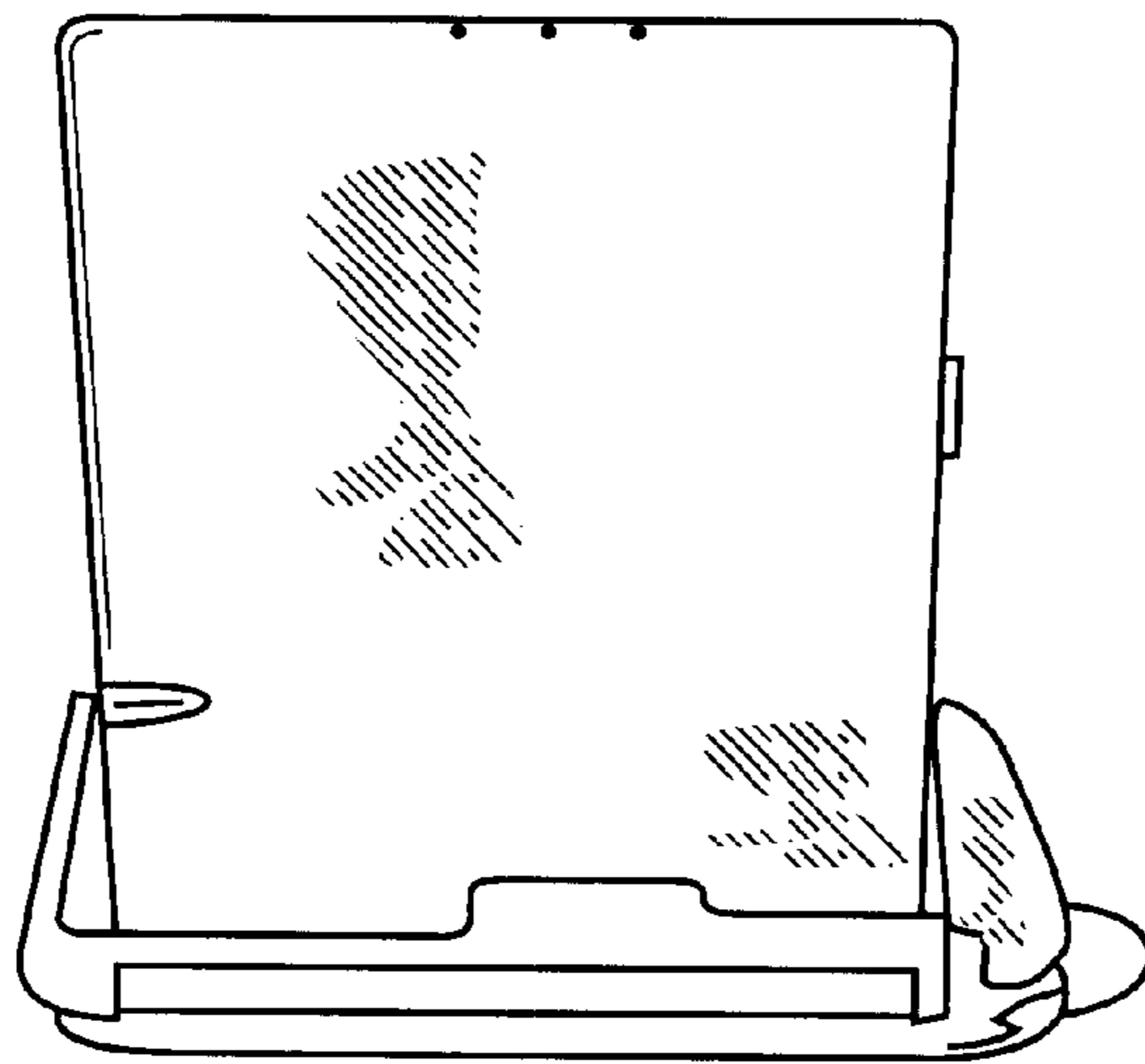


FIG. 14

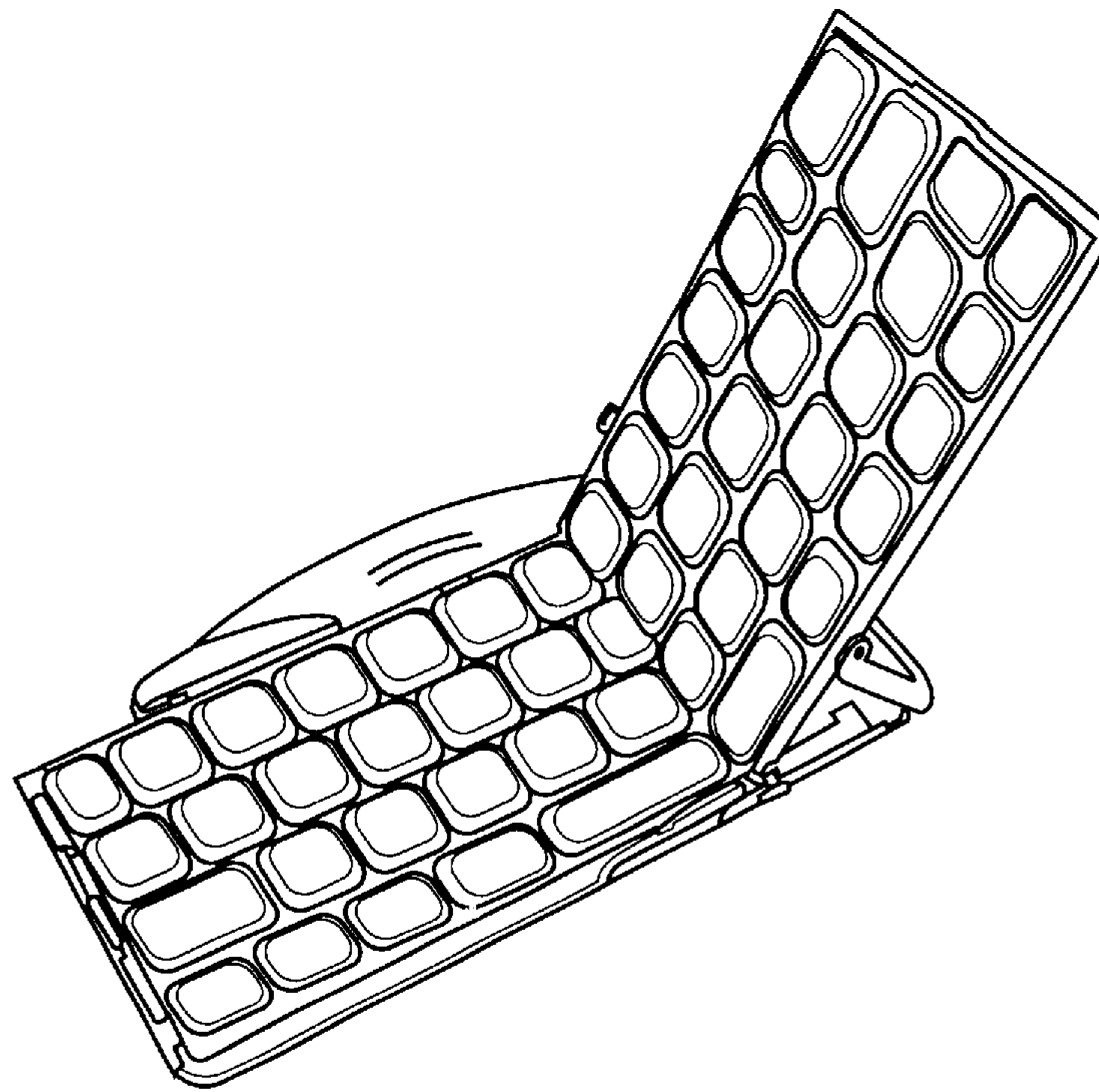


FIG. 15

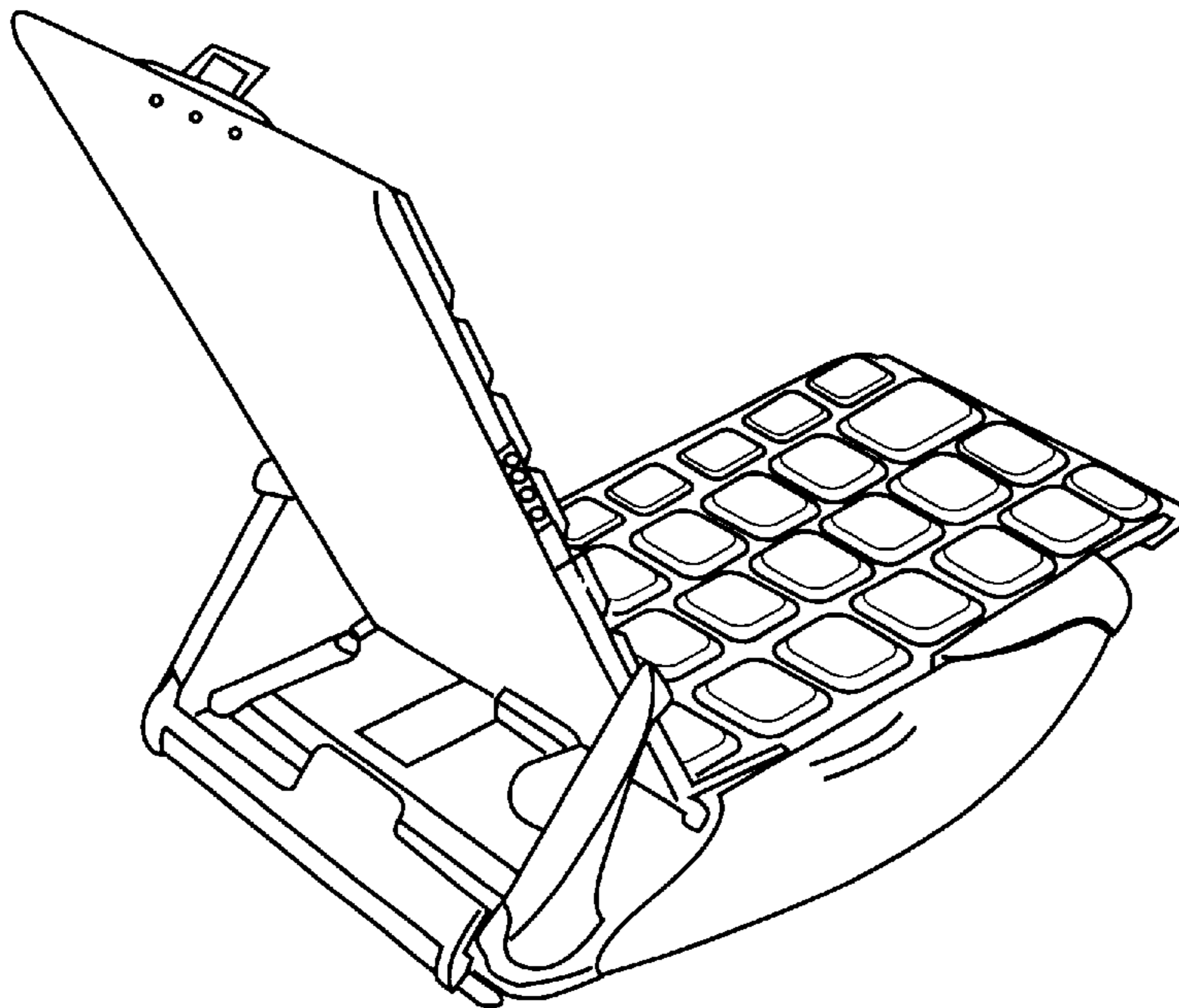


FIG. 16

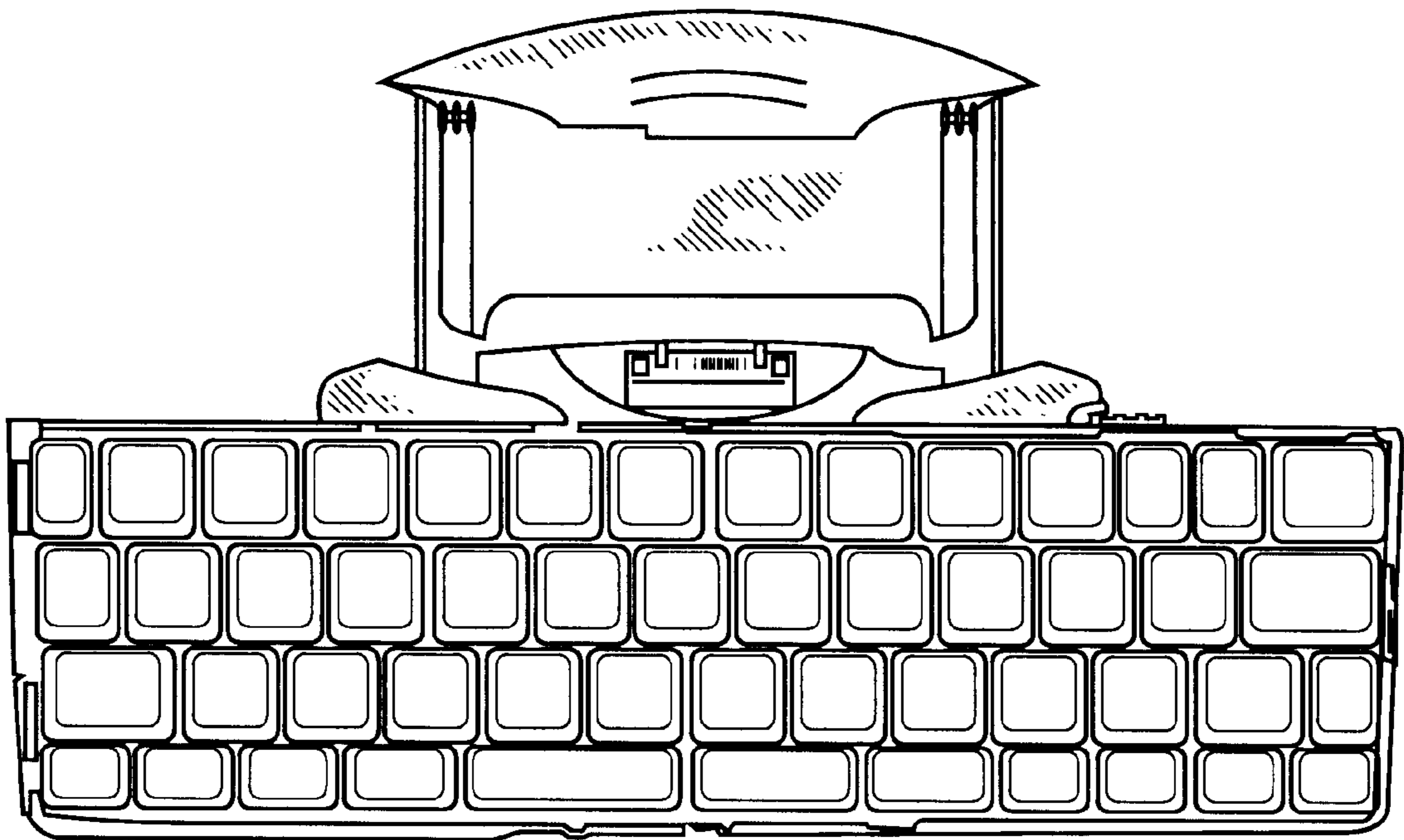


FIG. 17

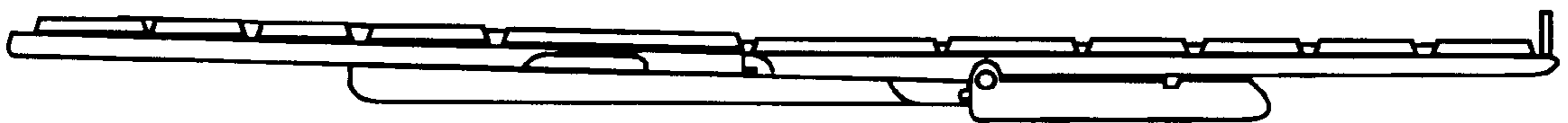


FIG. 18

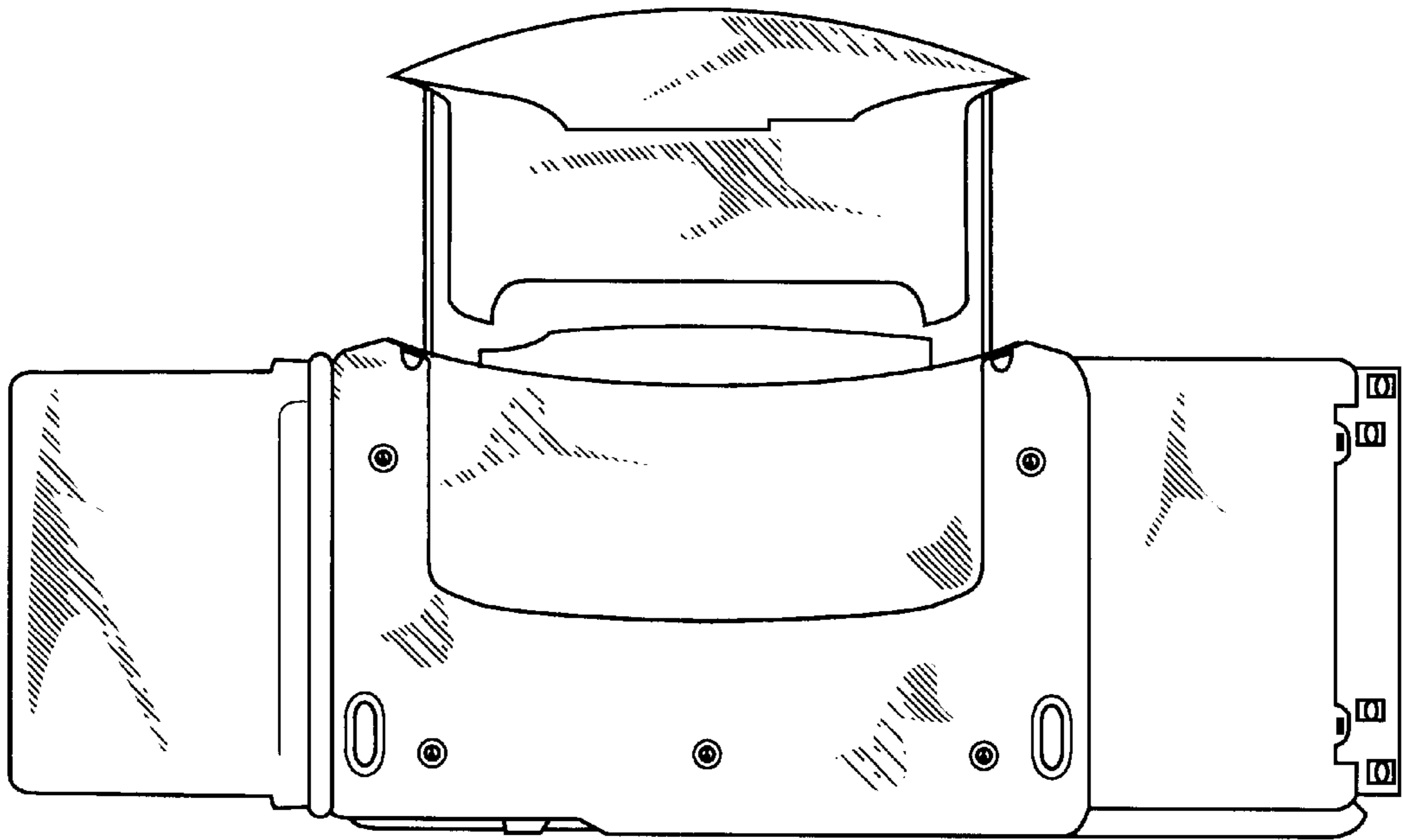


FIG. 19

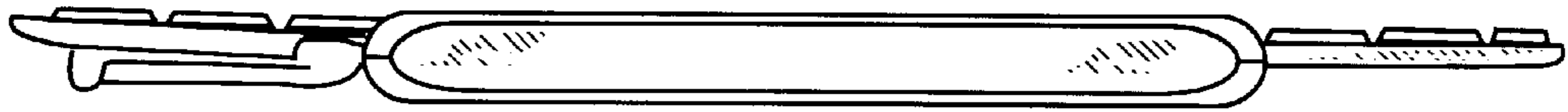


FIG. 20

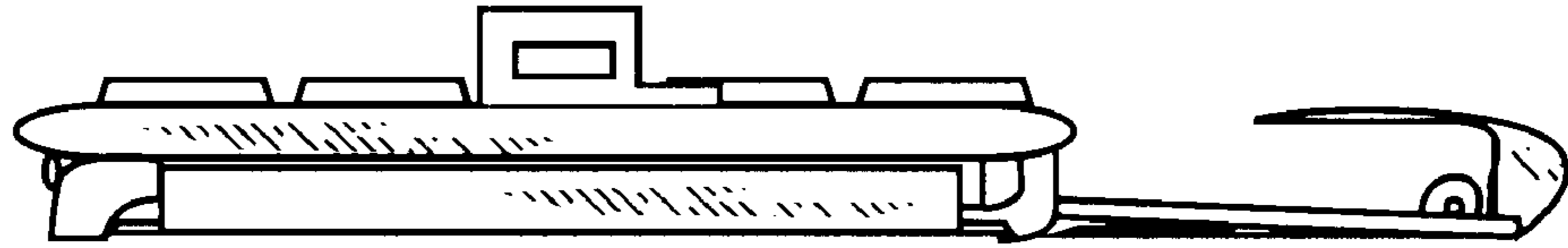


FIG. 21



FIG. 22

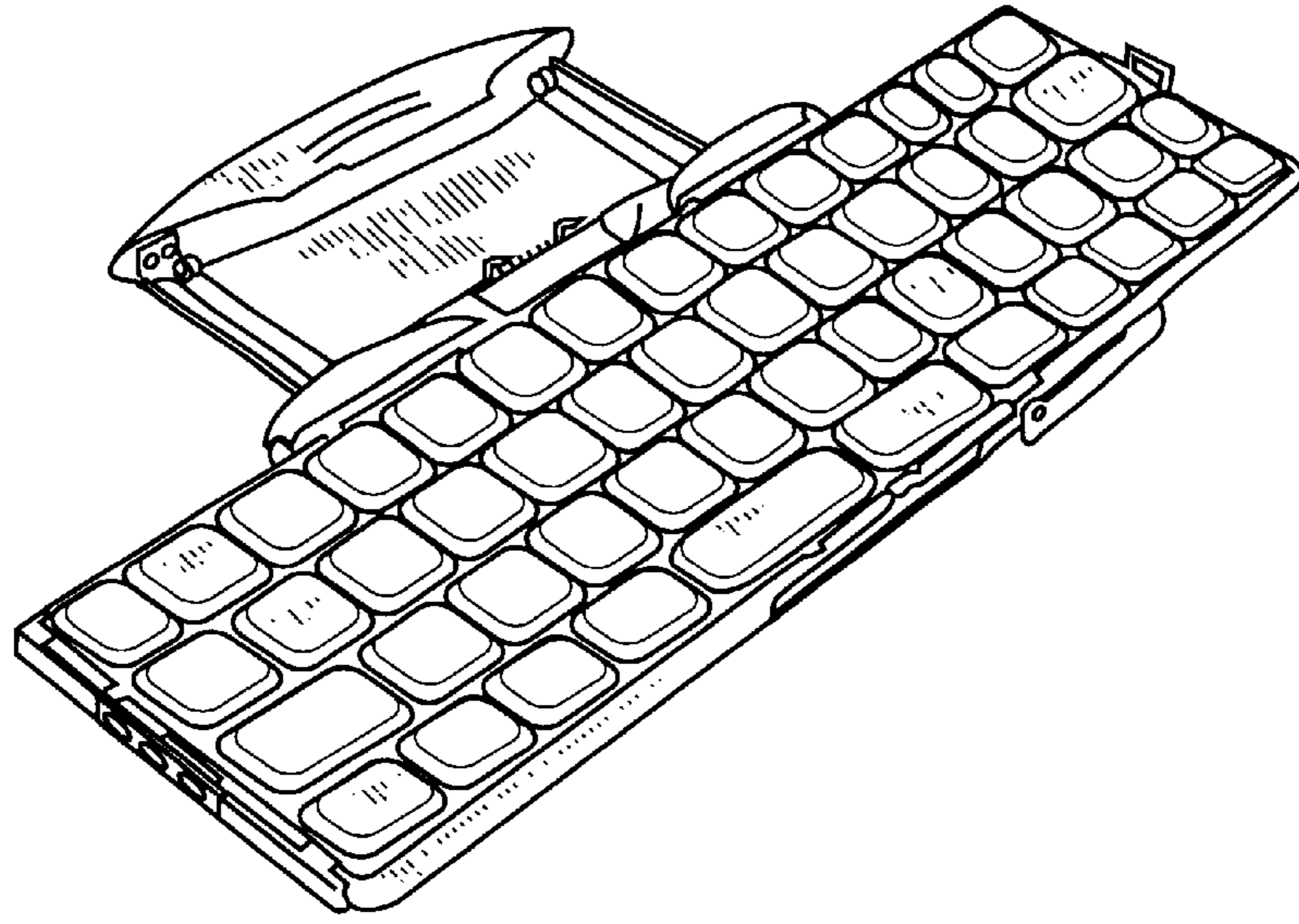


FIG. 23

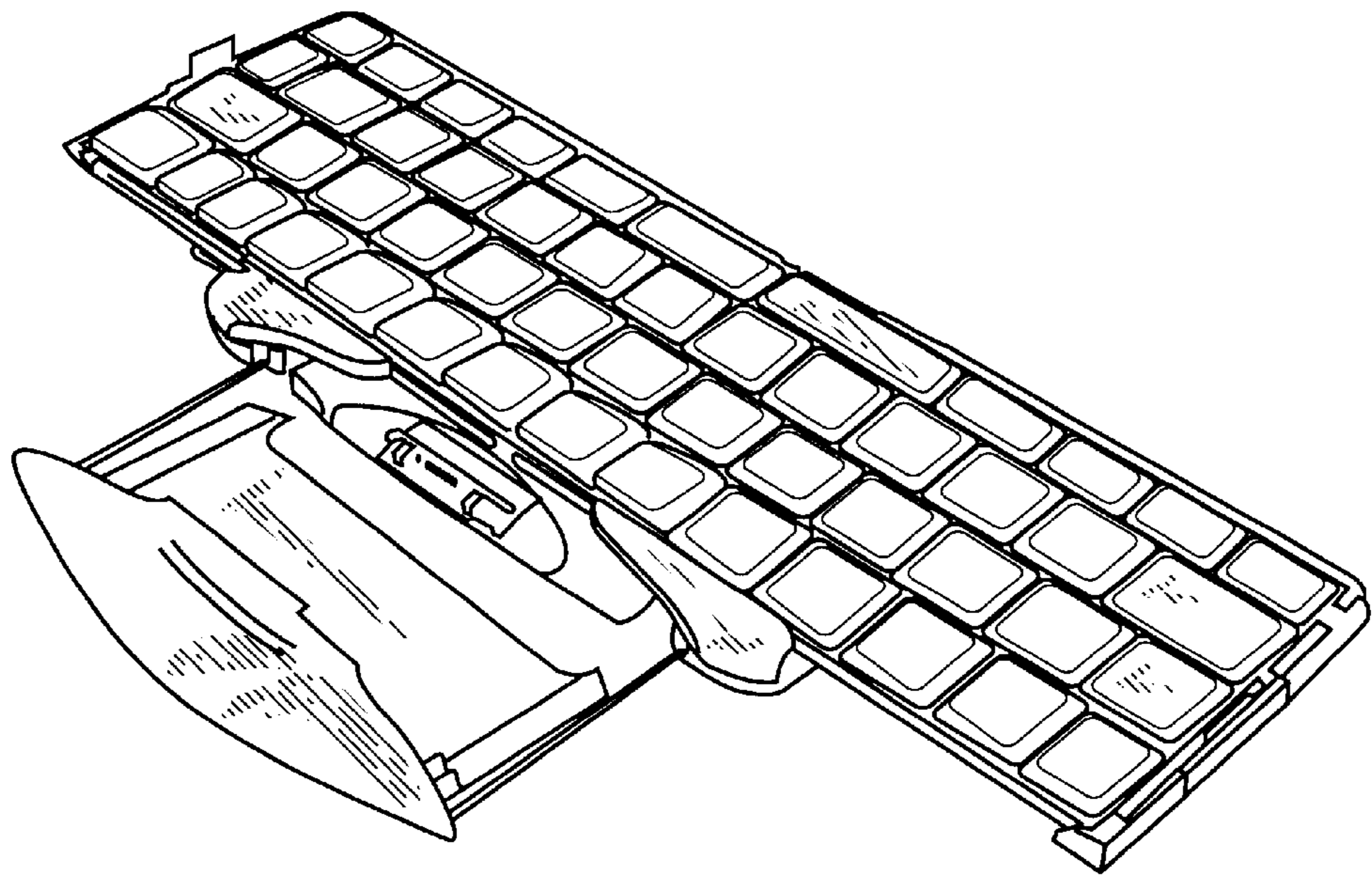


FIG. 24

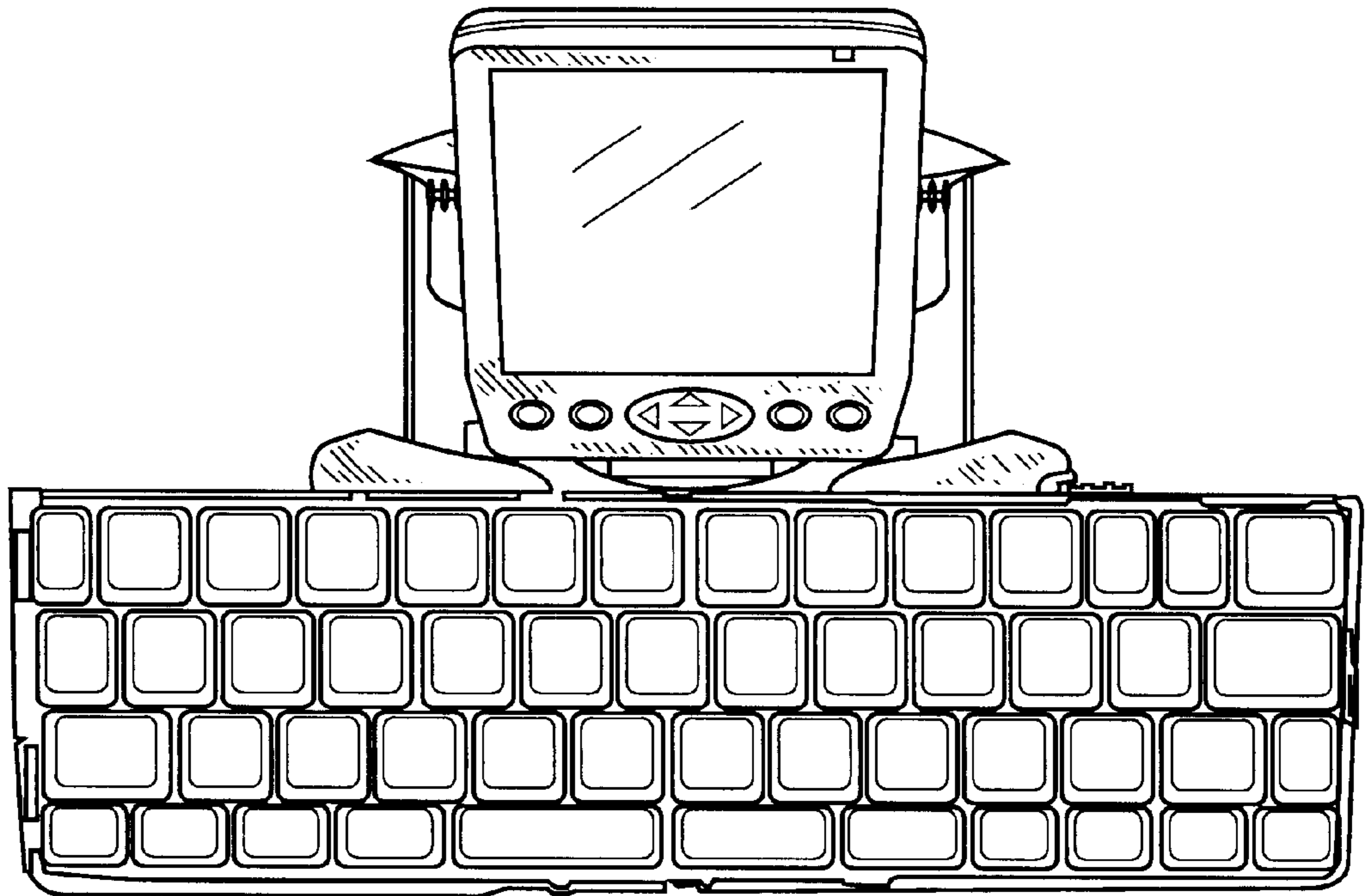


FIG. 25

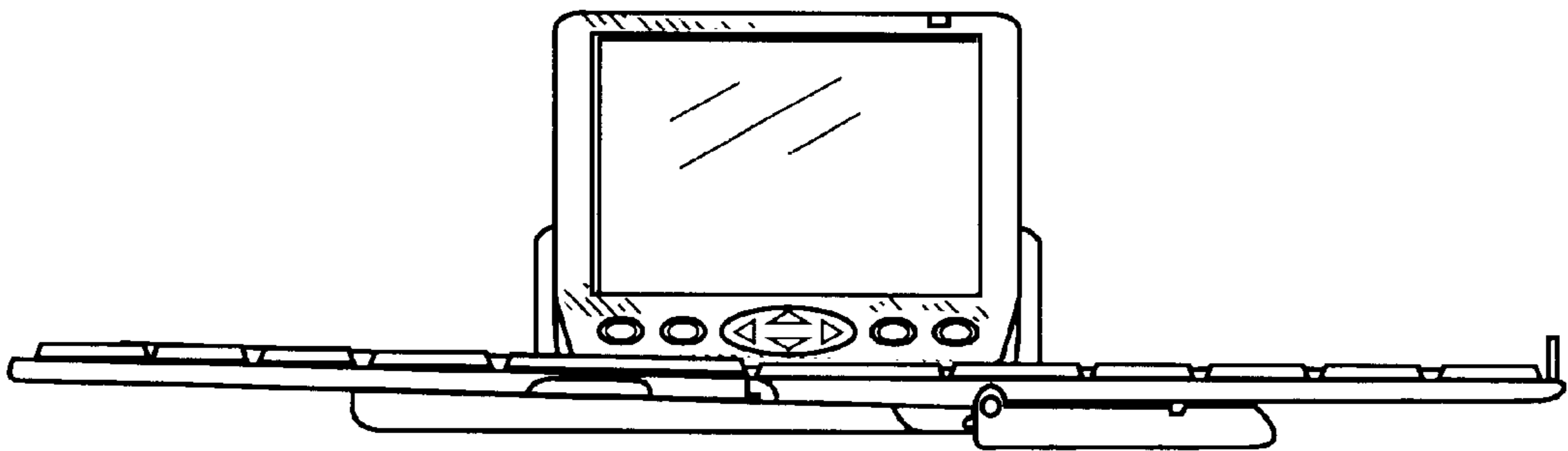


FIG. 26

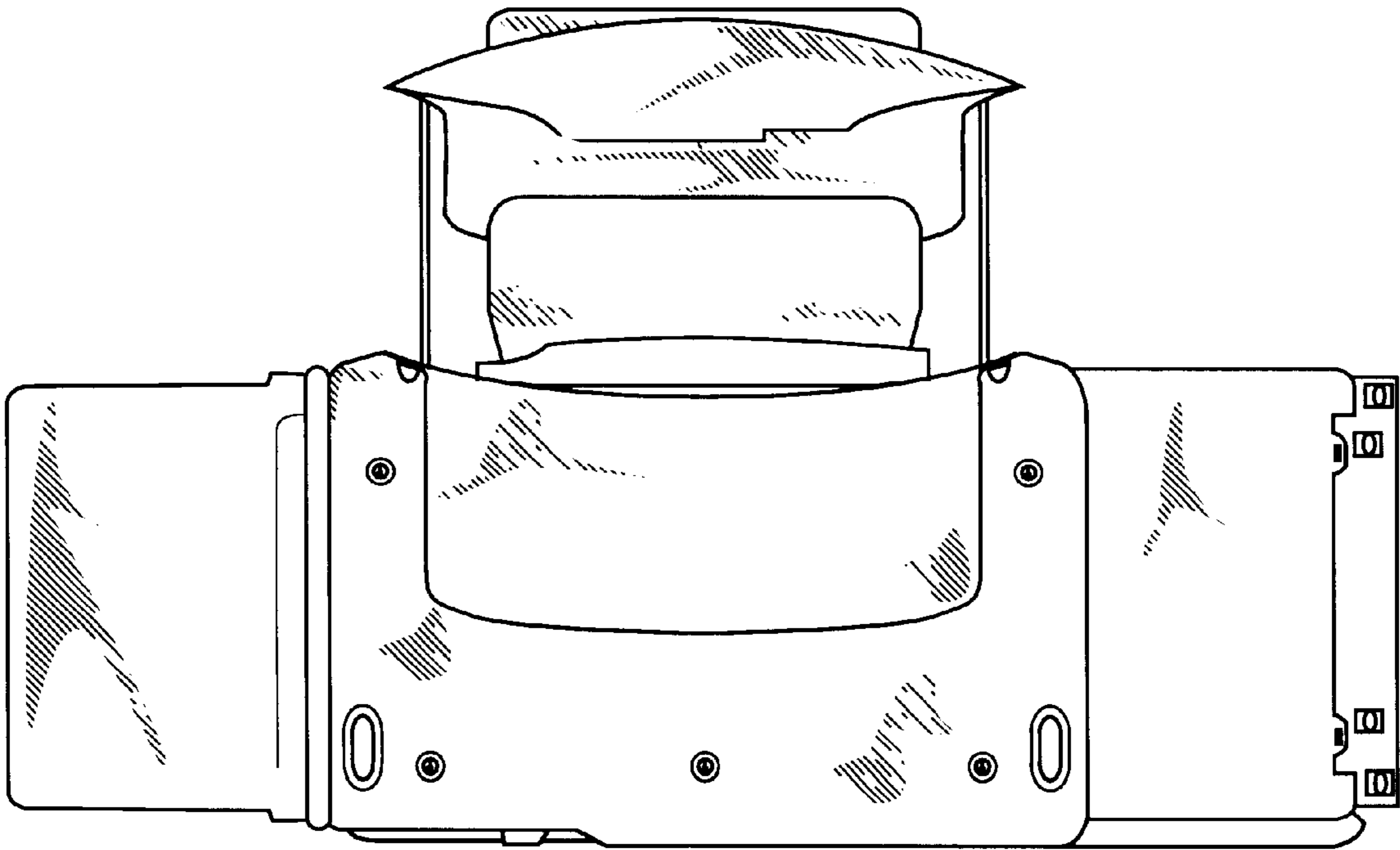


FIG. 27

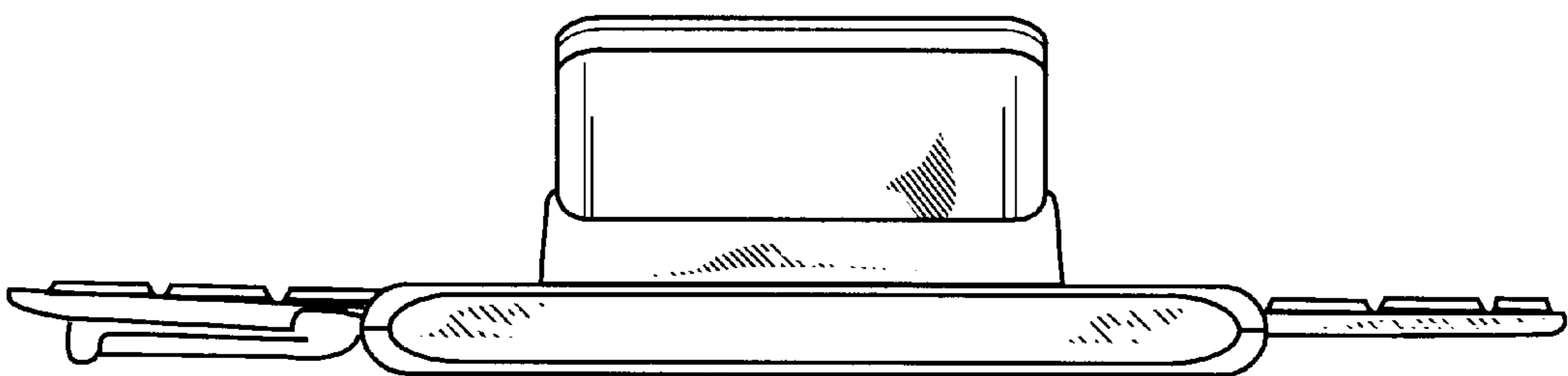


FIG. 28

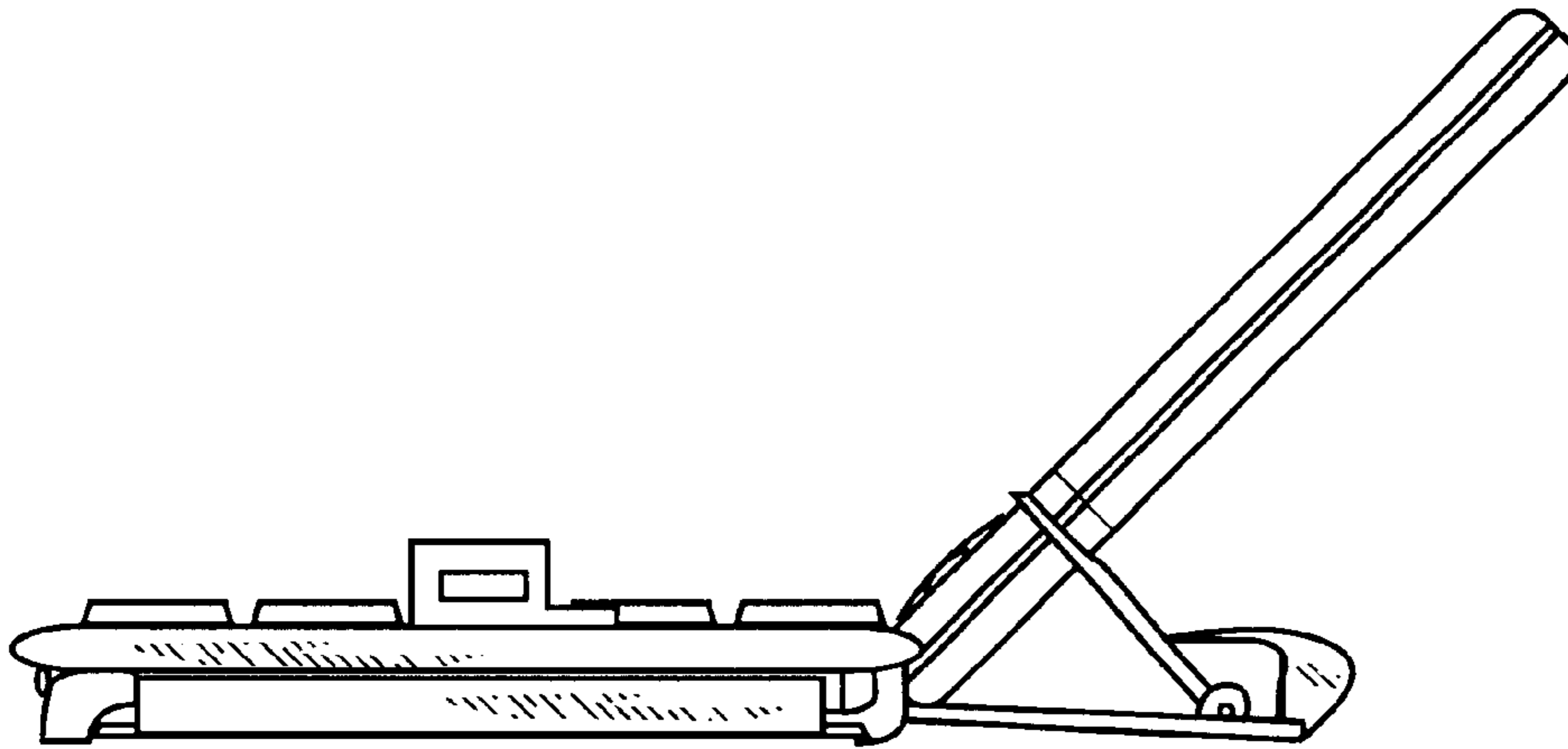


FIG. 29

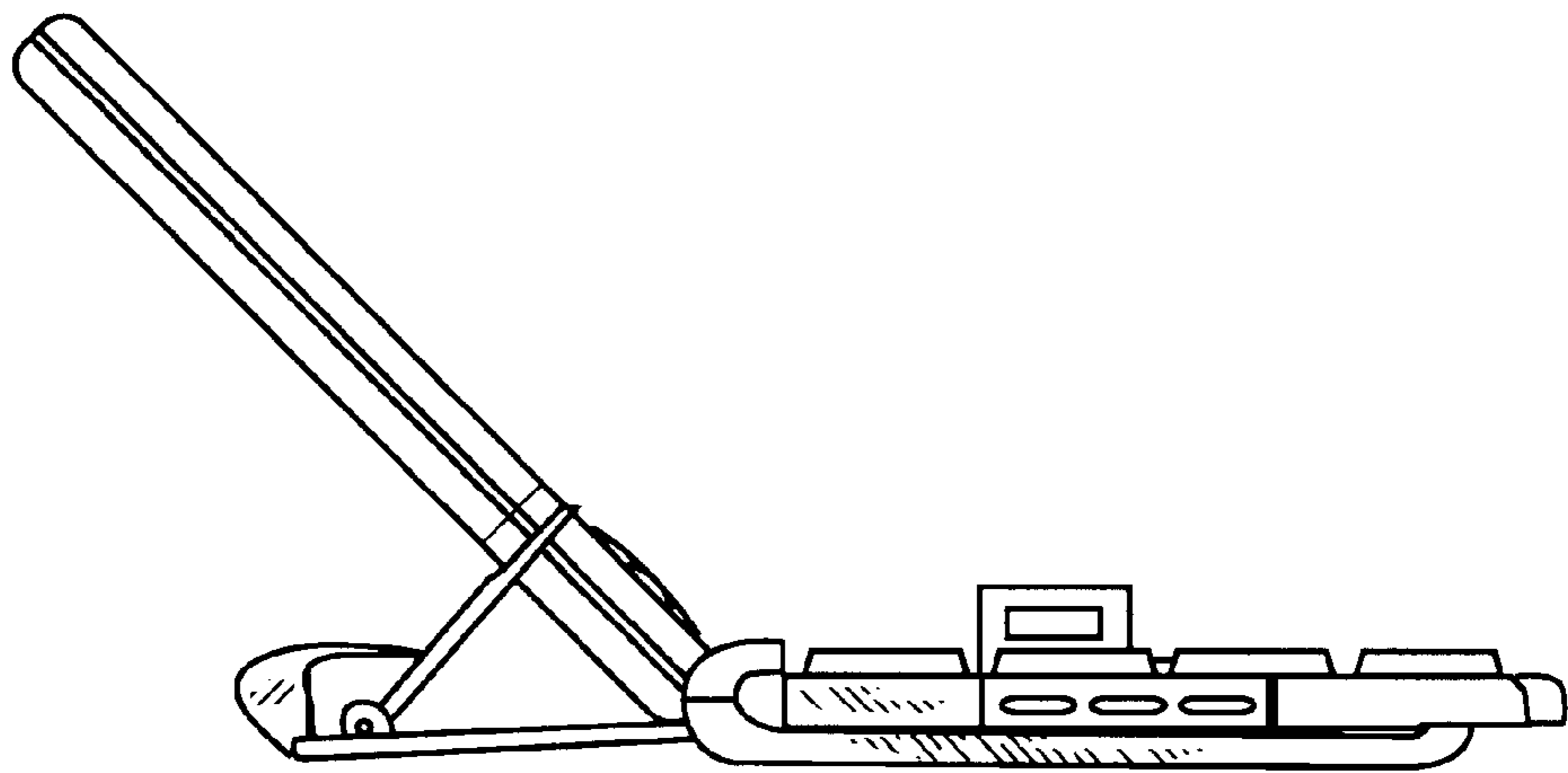


FIG. 30

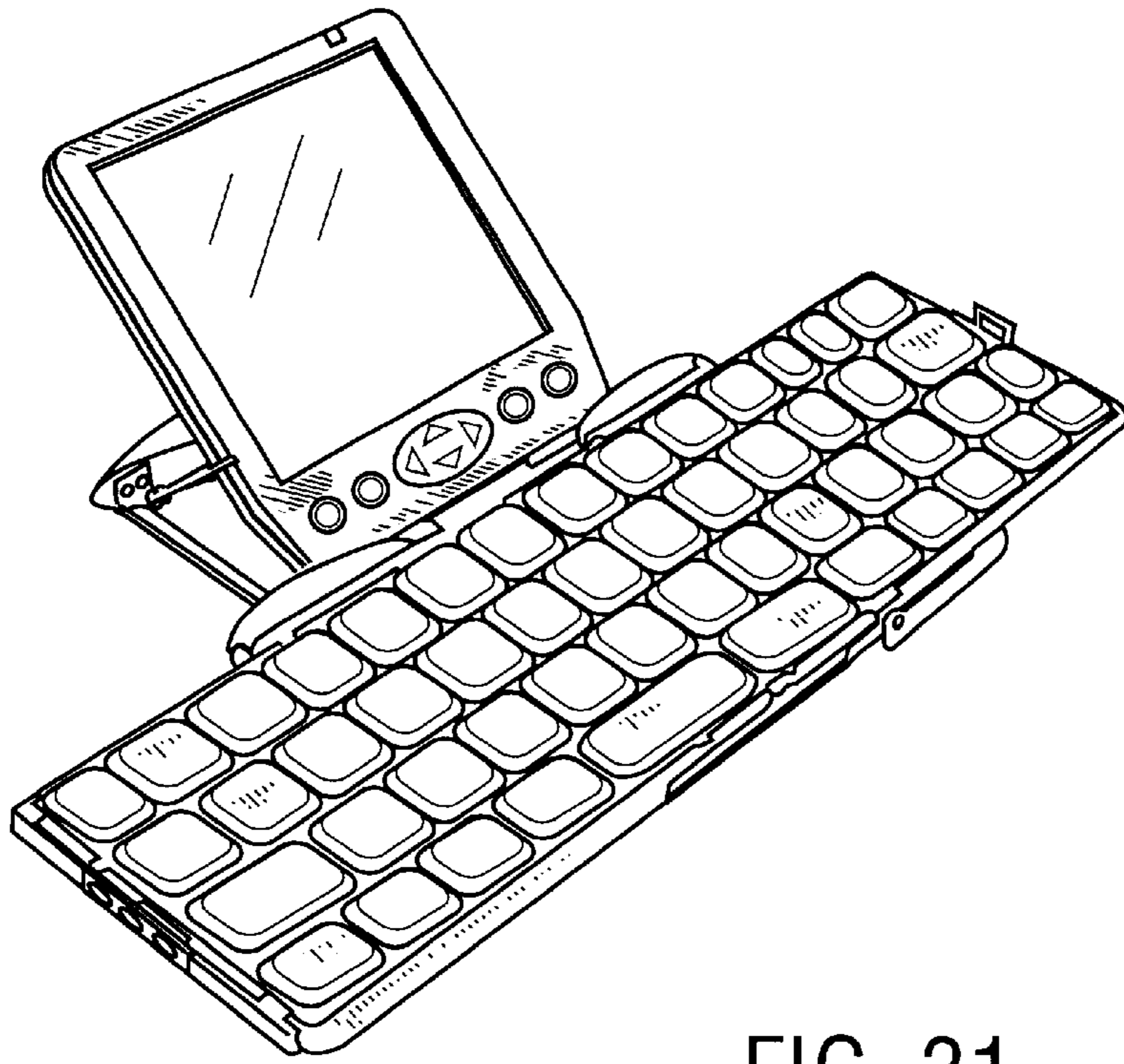


FIG. 31

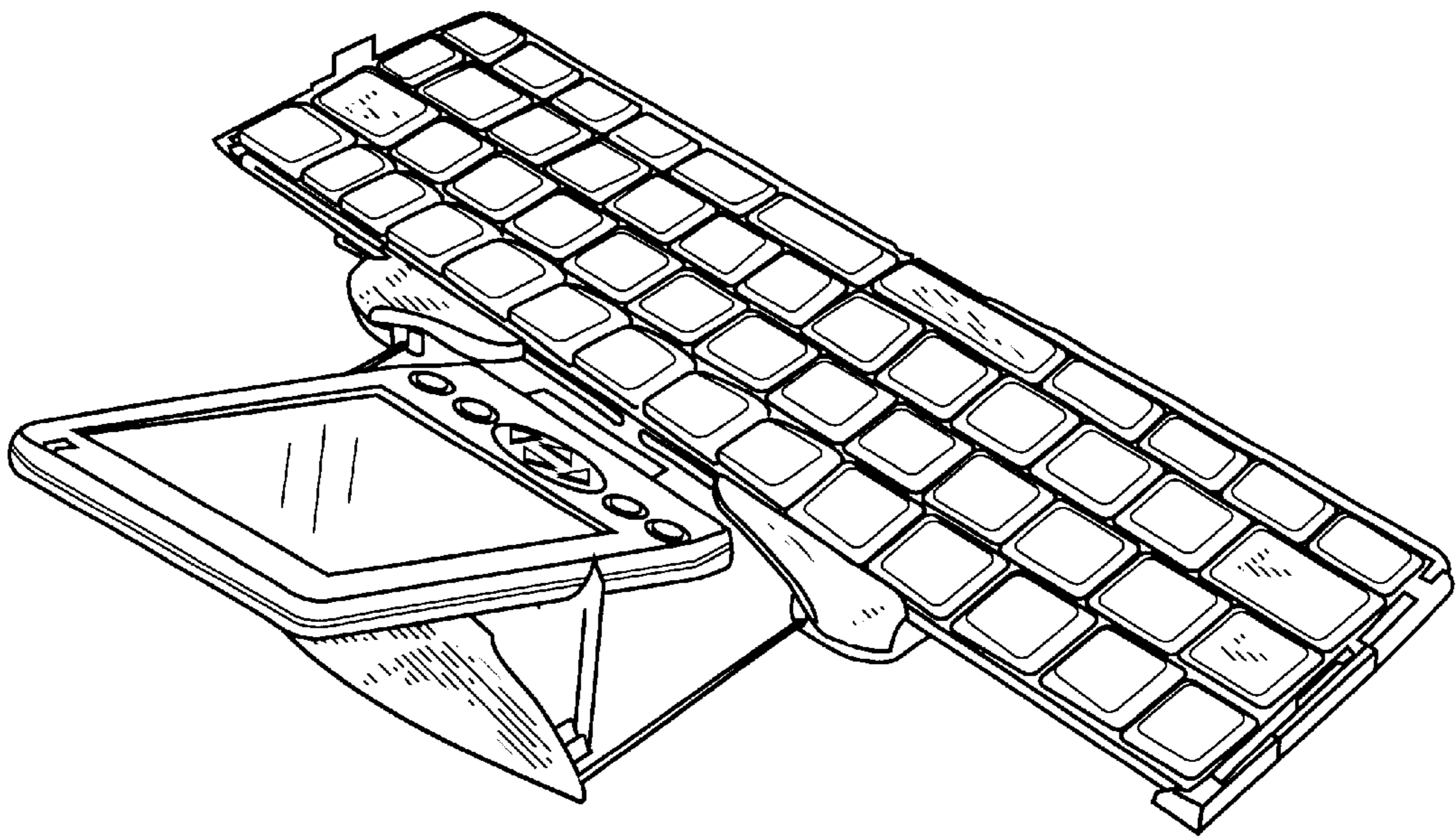


FIG. 32