



US00D486487S

(12) **United States Design Patent**
Zuege et al.

(10) **Patent No.:** **US D486,487 S**

(45) **Date of Patent:** **** Feb. 10, 2004**

(54) **DISPLAY**

(75) Inventors: **Brad Zuege**, Taipei (TW); **Holger Hoehn**, Taipei (TW); **Marco Heusdens**, Taipei (TW); **Reinier Bloem**, Taipei (TW); **White Chu**, Taipei (TW)

(73) Assignee: **Hannsprees Inc.**, Taipei (TW)

(**) Term: **14 Years**

(21) Appl. No.: **29/160,818**

(22) Filed: **May 15, 2002**

(51) **LOC (7) Cl.** **14-02**

(52) **U.S. Cl.** **D14/371**

(58) **Field of Search** D14/371-375,
D14/125-129; 248/917-924; 341/12; 345/104,
156, 168, 173; 348/180, 184, 325, 739;
349/1, 2, 11, 62; D21/398, 430, 329, 515;
40/594

(56) **References Cited**

U.S. PATENT DOCUMENTS

5,564,209 A * 10/1996 Zagnoli 40/594

D406,613 S * 3/1999 Nakanishi D21/329

D426,545 S * 6/2000 Smith et al. D14/371

D456,049 S * 4/2002 Hood D21/515

* cited by examiner

Primary Examiner—Freda Nunn

(74) *Attorney, Agent, or Firm*—Merchant & Gould P.C.

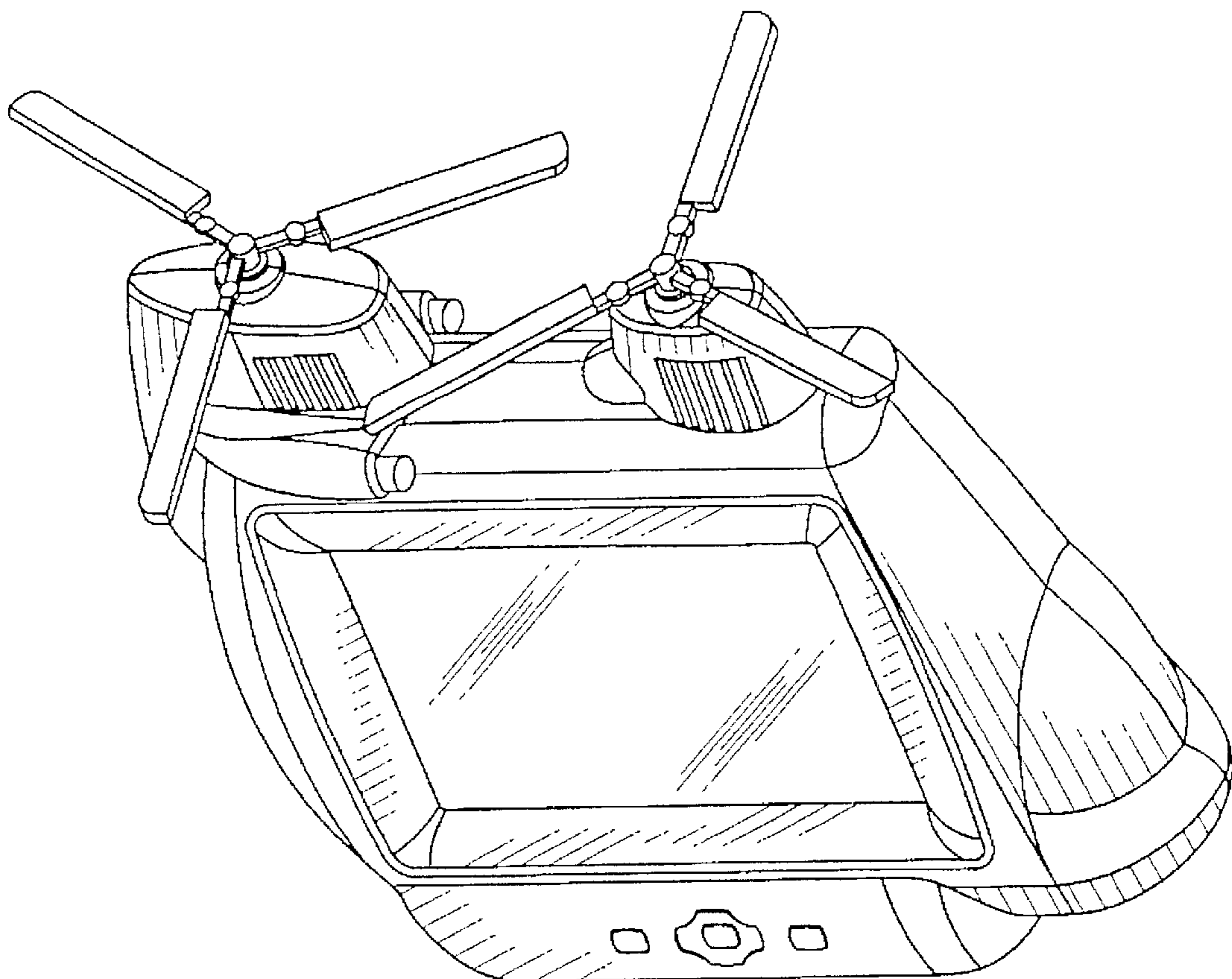
(57) **CLAIM**

The ornamental design for a display, as shown and described.

DESCRIPTION

FIG. 1 is a front perspective view thereof;
FIG. 2 is a right side elevational view thereof;
FIG. 3 is a top plane view thereof;
FIG. 4 is a front elevational view thereof;
FIG. 5 is a bottom plane view thereof;
FIG. 6 is a left side elevational view thereof; and,
FIG. 7 is a rear elevational view wherein thereof.

1 Claim, 7 Drawing Sheets



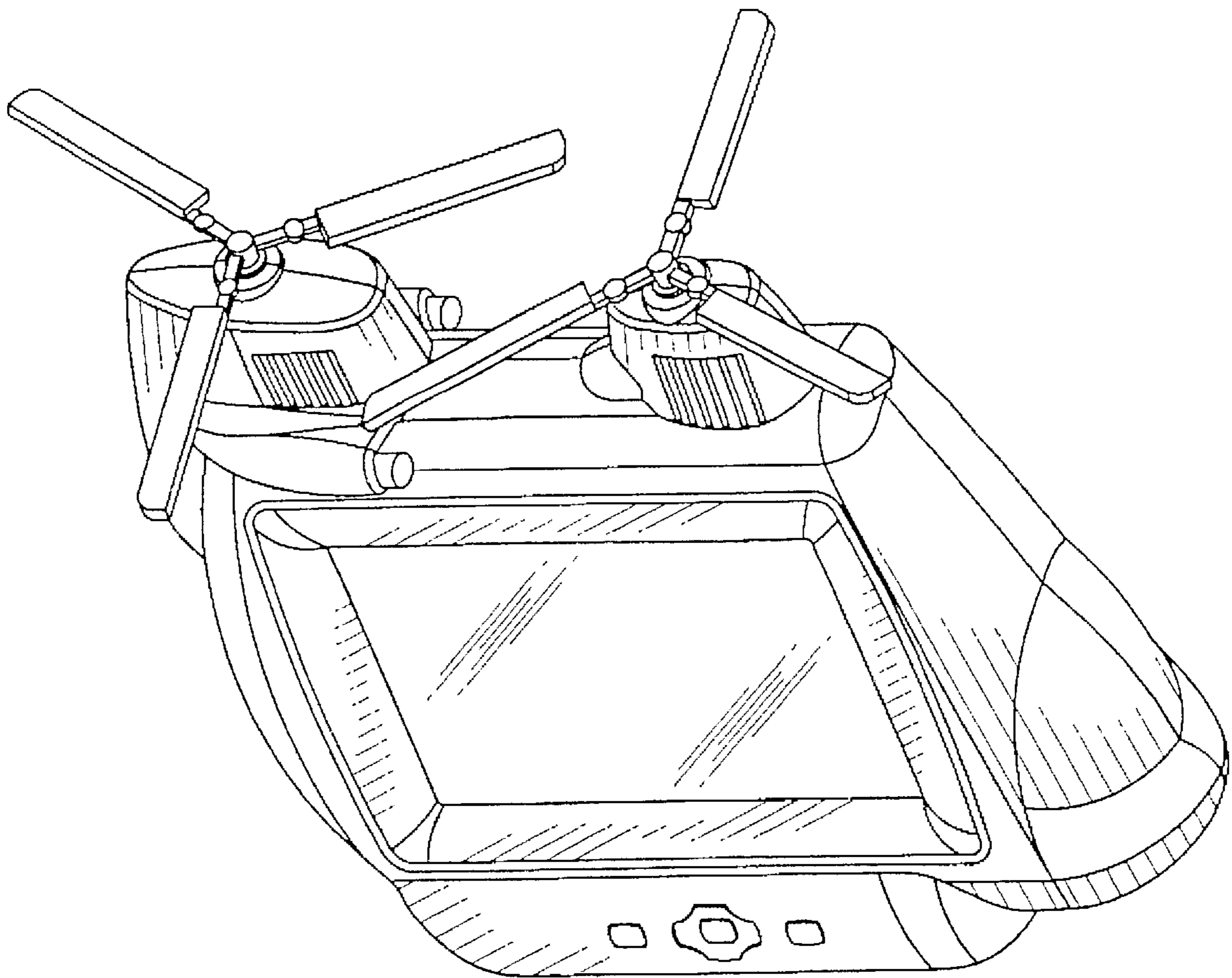


FIG. 1

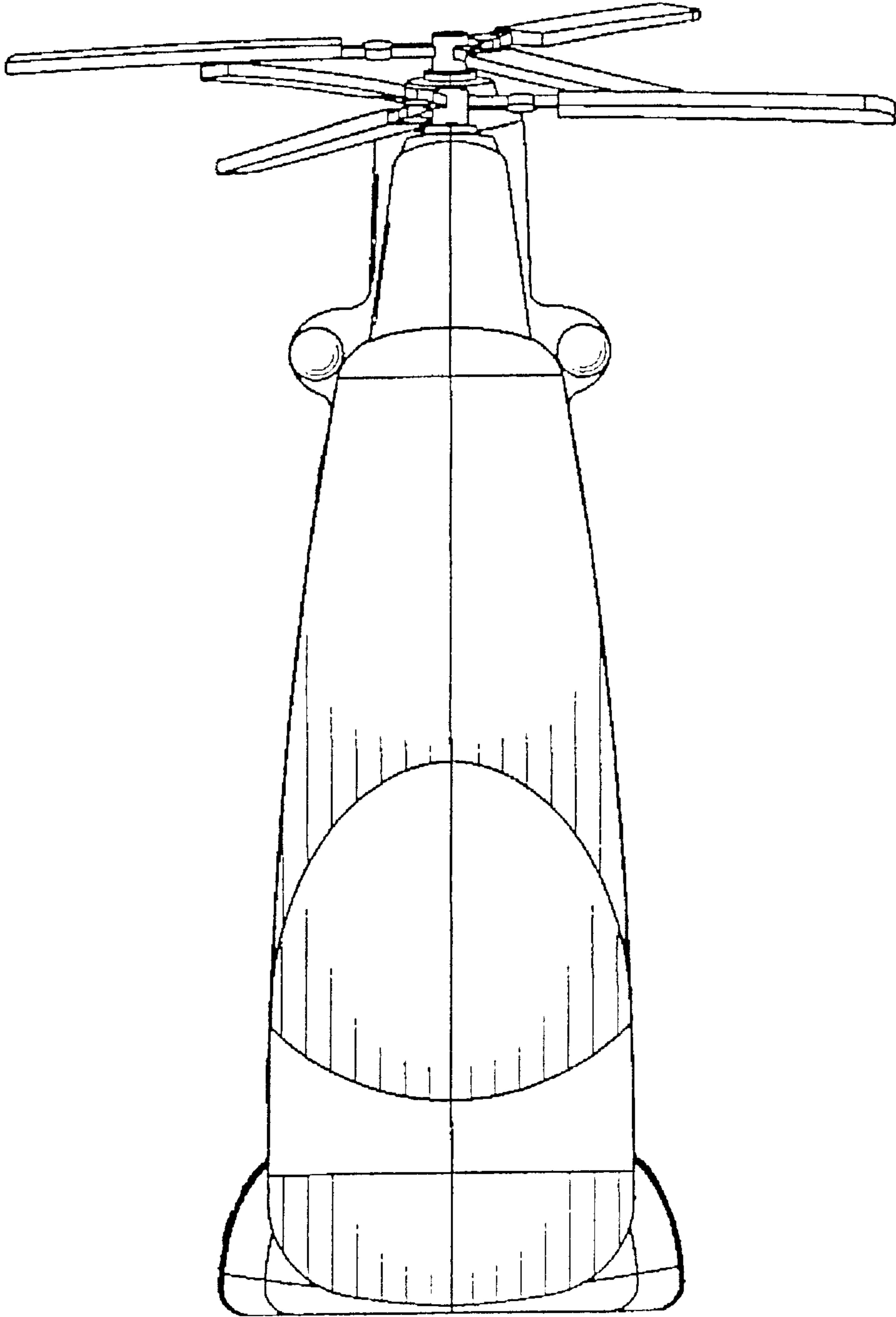


FIG. 2

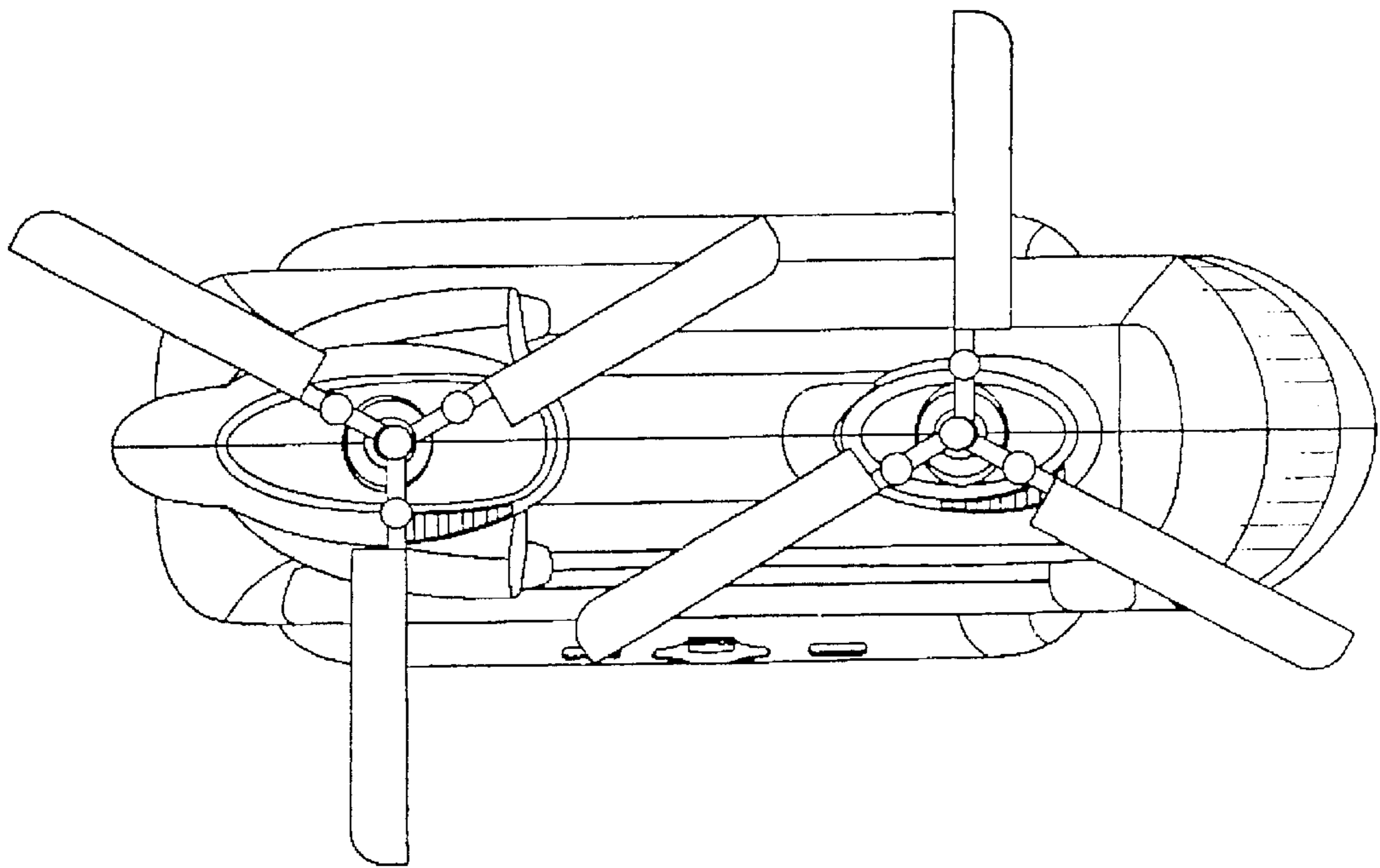


FIG. 3

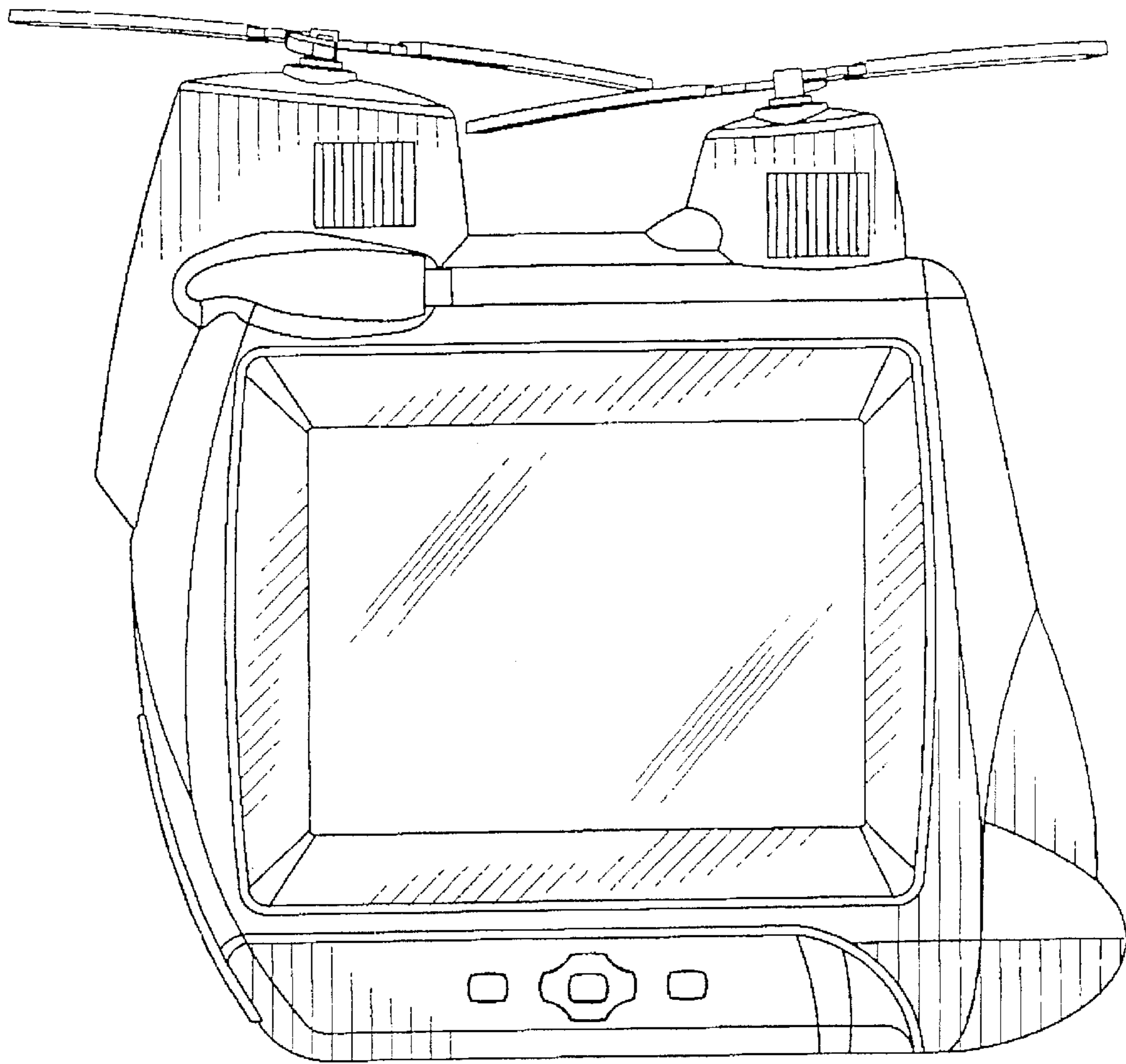


FIG. 4

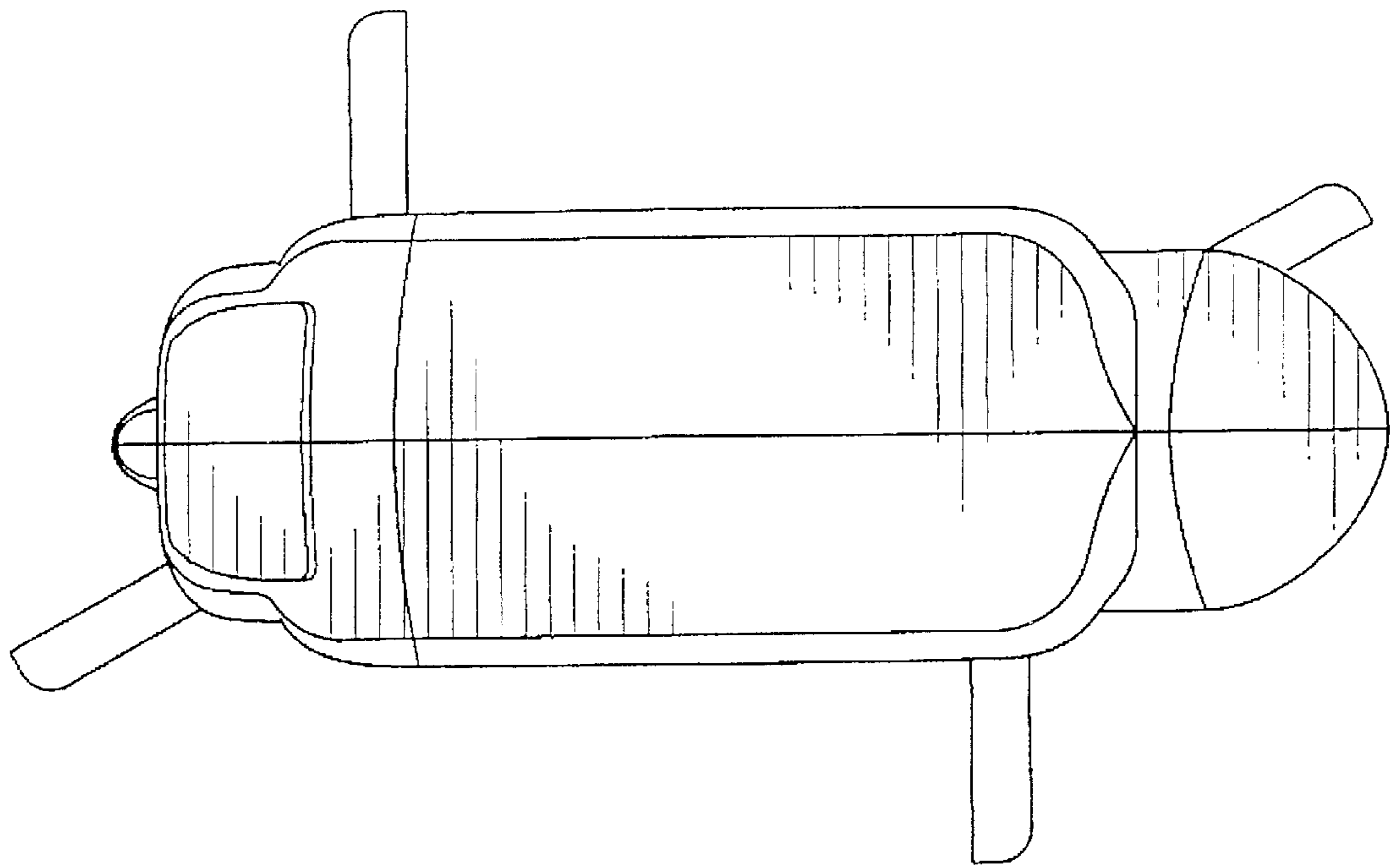


FIG. 5

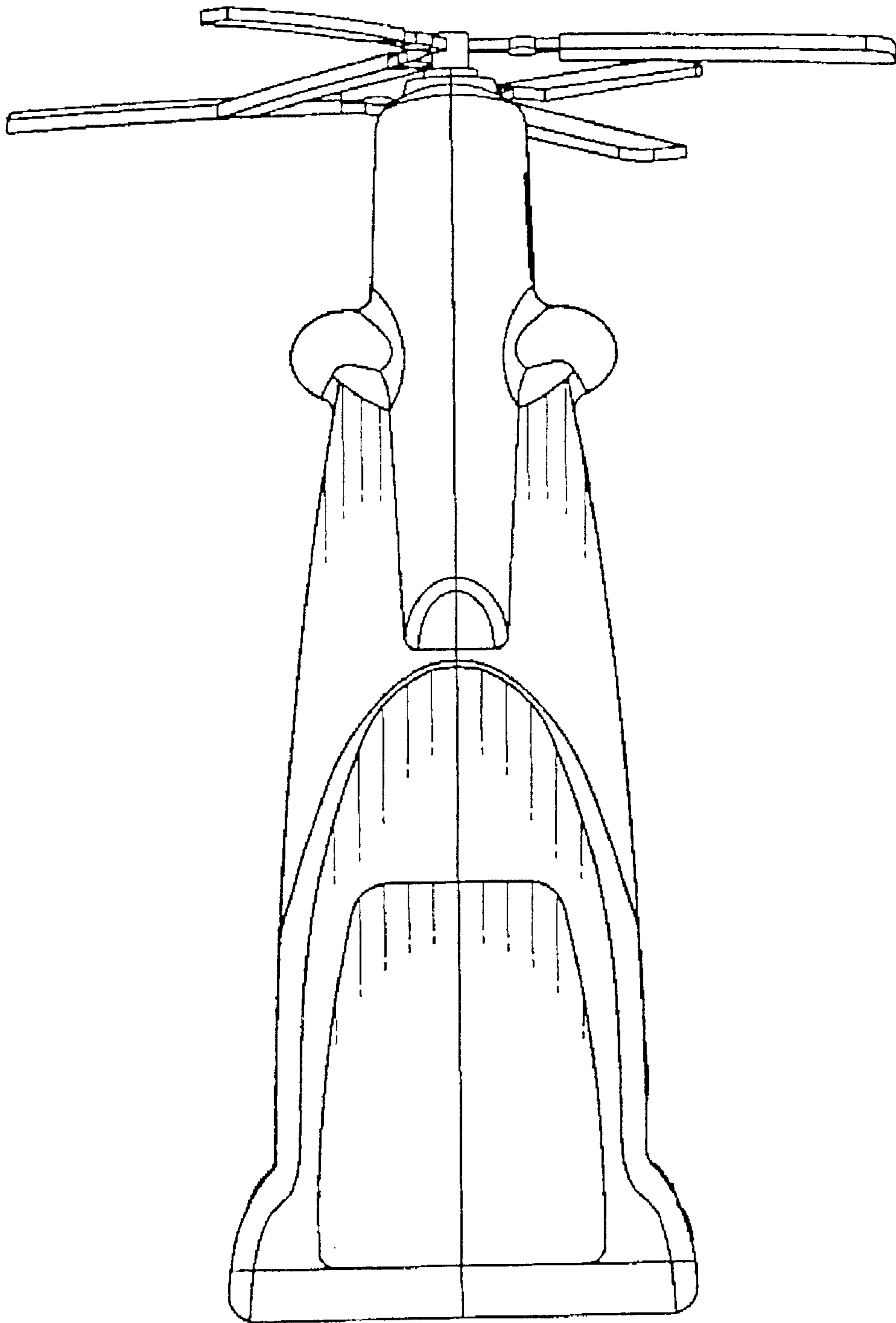


FIG. 6

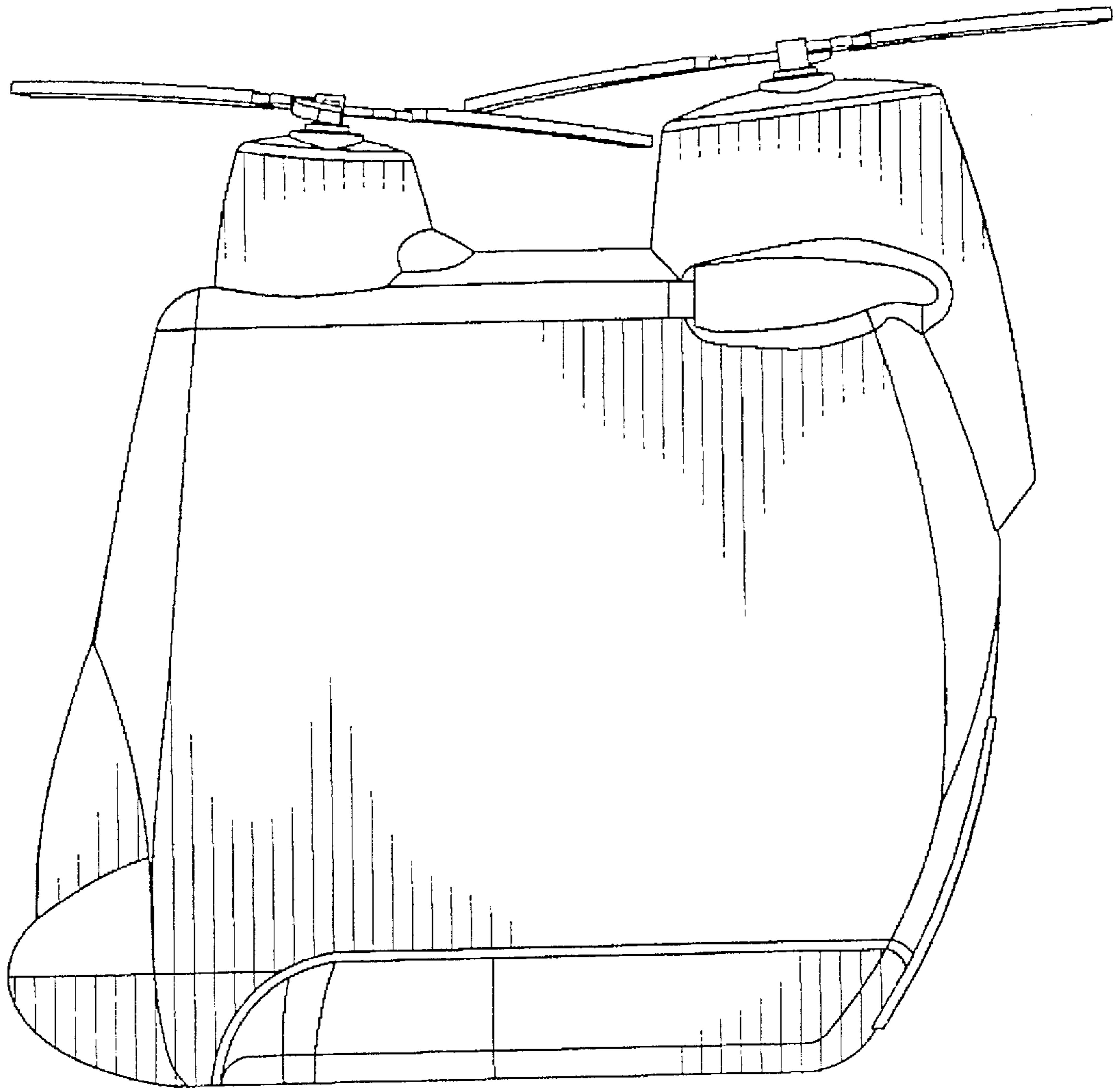


FIG. 7