



US00D486486S

(12) **United States Design Patent**
Jobs et al.

(10) **Patent No.: US D486,486 S**

(45) **Date of Patent: ** Feb. 10, 2004**

(54) **DISPLAY DEVICE WITH A MOVEABLE ASSEMBLY**

(75) Inventors: **Steven P. Jobs**, Palo Alto, CA (US); **Bartley K. Andre**, Menlo Park, CA (US); **Michael D. Hillman**, Campbell, CA (US); **Frank Tsai**, San Jose, CA (US); **Brian T. Sudderth**, Leonard, TX (US); **Daniel L. McBroom**, Leonard, TX (US); **Michael D. McBroom**, Leonard, TX (US); **Arthur S. Brigham**, Sunnyvale, CA (US); **Joel F. Jensen**, Redwood City, CA (US); **Robert B. Brownell, Jr.**, Decatur, GA (US); **Sung Kim**, Palo Alto, CA (US); **Anwyl M. McDonald**, Lafayette, CA (US); **Russell C. Mead, Jr.**, Mountain View, CA (US); **Arturo Meuniot**, San Francisco, CA (US); **Jesus Beltran**, Mountain View, CA (US); **Jonathan Ive**, San Francisco, CA (US); **Christopher J. Stringer**, Pacifica, CA (US)

(73) Assignee: **Apple Computer, Inc.**, Cupertino, CA (US)

(**) Term: **14 Years**

(21) Appl. No.: **29/153,043**

(22) Filed: **Nov. 8, 2001**

(51) **LOC (7) Cl. 14-02**

(52) **U.S. Cl. D14/371; D14/337**

(58) **Field of Search D14/371, 374, D14/375, 336, 337, 125-129; 248/917-924, 183.3, 184.1, 124.1; 708/272; 348/180, 184, 325, 739, 838; 349/1, 2, 11, 62; 345/104, 156, 168, 173, 87; D18/4.5**

(56) **References Cited**

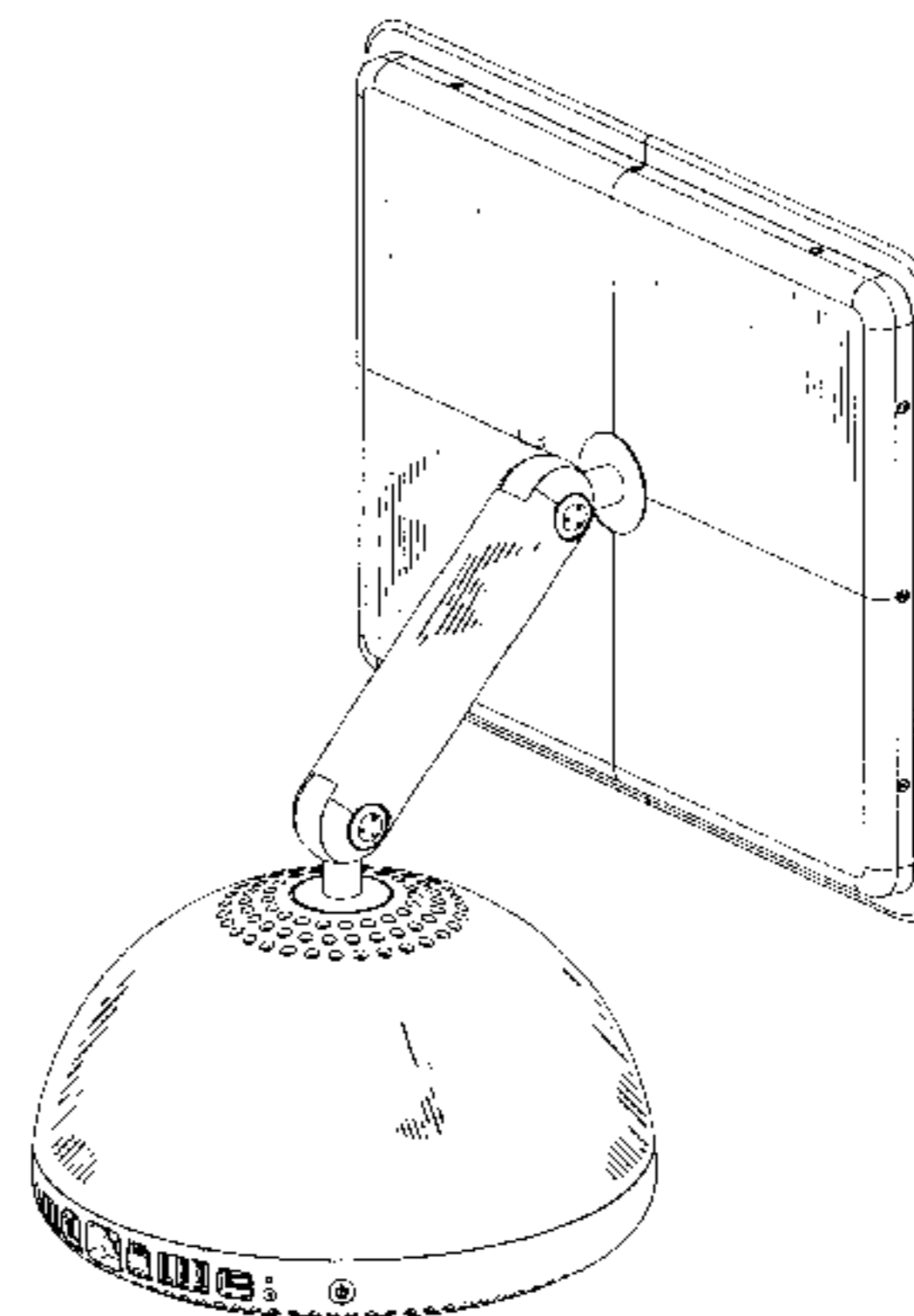
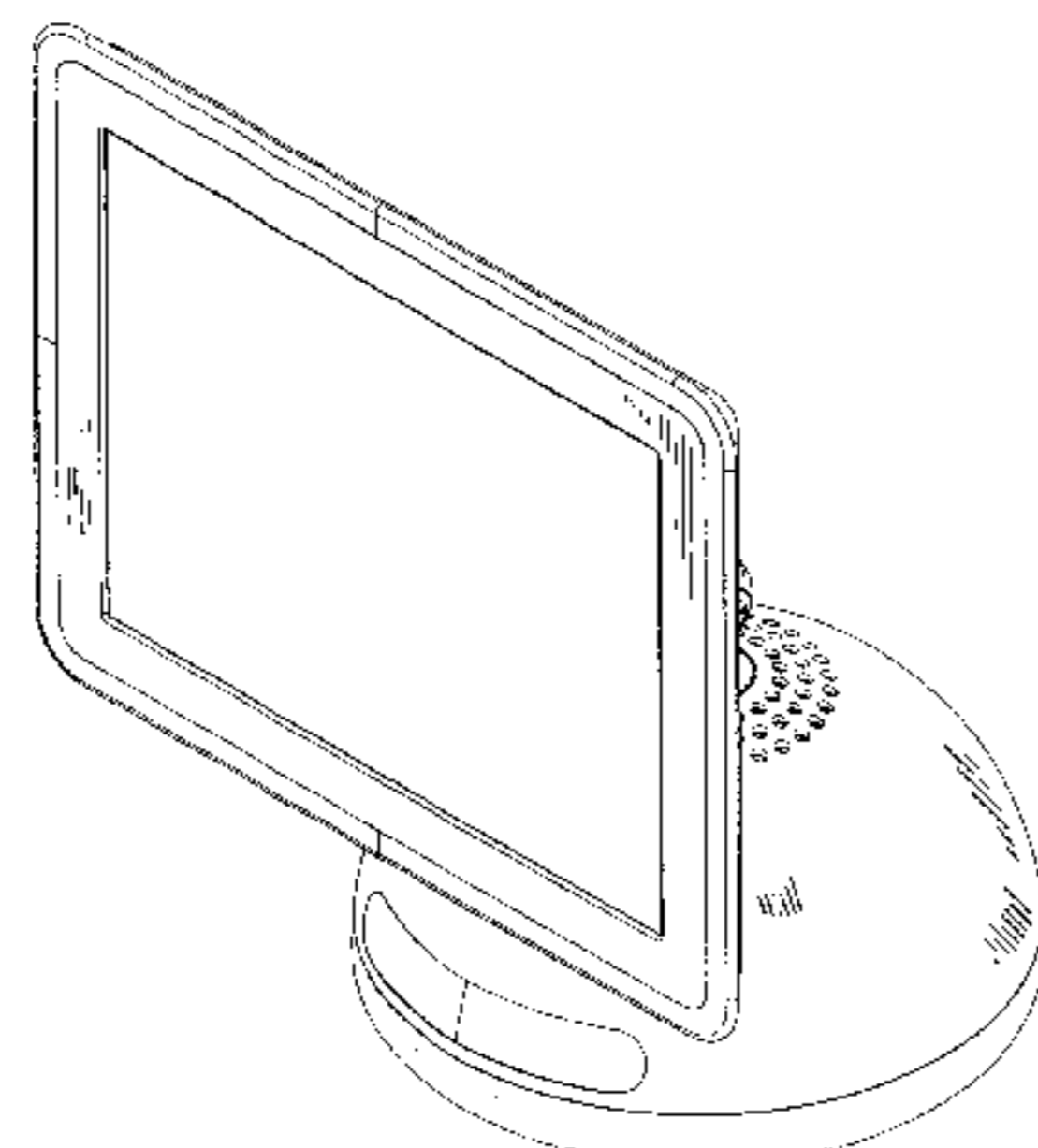
U.S. PATENT DOCUMENTS

3,983,386 A 9/1976 Schallenkammer
4,080,530 A 3/1978 Krogsrud
4,447,031 A 5/1984 Souder, Jr. et al.

4,453,204 A 6/1984 Warshawsky
4,459,650 A 7/1984 Pike
4,484,255 A 11/1984 Warshawsky
4,507,043 A 3/1985 Flatau
4,545,555 A 10/1985 Koch
4,554,620 A 11/1985 Warshawsky
4,589,621 A * 5/1986 Hunt et al. 248/586
4,661,895 A 4/1987 Hull
4,729,533 A * 3/1988 Hillary et al. 248/184.1
4,756,204 A 7/1988 Wittwer et al.
4,834,329 A * 5/1989 Delapp 248/183.3
4,846,434 A 7/1989 Krogsrud
4,964,062 A 10/1990 Ubhayakar et al.
4,989,813 A * 2/1991 Kim et al. 248/184.1
5,025,359 A 6/1991 Saluja et al.
5,141,325 A 8/1992 Huang
5,142,932 A 9/1992 Moya et al.
5,168,423 A 12/1992 Ohgami et al.
D337,104 S * 7/1993 Orchard D14/375
5,413,454 A 5/1995 Movsesian
5,538,207 A 7/1996 O'Connell et al.
5,668,570 A 9/1997 Ditzik
5,815,735 A 9/1998 Baker
5,887,837 A 3/1999 Johns et al.
5,918,841 A 7/1999 Sweere et al.
5,923,528 A 7/1999 Lee
D414,471 S 9/1999 Poole et al.
5,992,809 A 11/1999 Sweere et al.
6,015,120 A 1/2000 Sweere et al.
6,019,332 A 2/2000 Sweere et al.
6,061,104 A 5/2000 Evanicky et al.
D428,411 S 7/2000 Poole et al.
6,105,919 A 8/2000 Min
6,179,263 B1 1/2001 Rosen et al.
6,199,810 B1 3/2001 Wu et al.
6,216,989 B1 4/2001 Shioya et al.
6,220,741 B1 4/2001 Kawachi et al.
6,233,138 B1 5/2001 Osgood
6,256,017 B1 7/2001 Bullister
6,268,998 B1 7/2001 Cho
6,304,431 B1 10/2001 Kim
6,317,316 B1 11/2001 Bentley et al.
D453,509 S 2/2002 Kazamaki

OTHER PUBLICATIONS

Scott Hudson, *PC OEMs Get Creative: The iPaq, WebPC, Profile 2, eVectra, and NetVista*, Cahners In-Stat Group, 3 pages, Apr. 4, 2000.



Dan Littman, *Compaq iPaq Home Internet Appliance IA-1*, CNET Review, 2 pages, Sep. 5, 2001.

Compaq, *iPAQ Home Internet Appliance*, Screen dumps, 3 pages. (undated).

Dell Computer Corporation, *Webpc photos featured on enclosed CD*, 2 pages. (undated).

ComputingReview.com, *Gateway Profile 2 500cx*, 1 page. (undated).

Davis English, *Gateway Profile 3cx Pentium III 933 MHz*, ZDNet, 2 pages, Mar. 16, 2001.

Gateway Inc., *Gateway Profile 3 Product Tour*, Screen dumps, 4 pages. (undated).

Bill O'Brien, *IBM NetVista X41*, CNET Review, 2 pages, Nov. 7, 2001.

Bill O'Brien, *IBM Netvista X40i Pentium III 800 MHz*, ZDNet Review, 2 pages, Mar. 13, 2001.

IBM, *Thin Client Zero Footprint Option*, 1 page. (undated).

IBM, *IBM NetVista X40*, 3 pages, Oct. 2000 & Sep. 2001.

IBM, *IBM Introduces New NetVista Brand of Personal Computing Devices*, Press Releases, 2 pages, Mar. 13, 2000.

IBM, *IBM Announces New NetVista Computers*, Press Releases, 3 pages, May 8, 2000.

IBM, *IBM NetVista: X Series*, Screen dump, 13 pages. (undated).

Asa Somers, *Gateway Profile 2: Trendy and Easy*, Computer Shopper, Feb. 7, 2000.

Gateway Inc., *Gateway Profile 2—Main view, Rear view, Left view, Right View, Bottom View*, Gateway eSupport, 11 pages. (undated).

Ergo In Demand, Inc., *Mounting Solutions*, 1 page. (undated).

Ergo In Demand, Inc., *The JetMaster LCD Arms*, 1 page. (undated).

* cited by examiner

Primary Examiner—Freda Nunn

(74) *Attorney, Agent, or Firm*—Blakely, Sokoloff, Taylor & Zafman LLP

(57) **CLAIM**

The ornamental design for a display device with a moveable assembly, as shown and described.

DESCRIPTION

FIG. 1 Shows a front perspective view of a display device with a moveable assembly attached to a flat panel display and to a base, the moveable assembly shown in a first position.

FIG. 2 Shows a back perspective view of a display device with moveable assembly attached to a flat panel display and to a base, the moveable assembly shown in a first position.

FIG. 3 shows a front view of a second embodiment of a display device with a moveable assembly attached to a flat

panel display and to a base, the moveable assembly shown in a first position.

FIG. 4 Shows a side right view of a display device with a moveable assembly attached to a flat panel display and to a base, the moveable assembly shown in a first position.

FIG. 5 Shows a back view of a display device with a moveable assembly attached to a flat panel display and to a base, the moveable assembly shown in a first position.

FIG. 6 Shows a side left view of a display device with a moveable assembly attached to a flat panel display and to a base, the moveable assembly shown in a first position.

FIG. 7 Shows a top view of a display device with a moveable assembly attached to a flat panel display and to a base, the moveable assembly shown in a second position.

FIG. 8 Shows a bottom view of a display device with a moveable assembly attached to a flat panel display and to a base, the moveable assembly shown in a second position.

FIG. 9 Shows a front perspective view of a display device with moveable assembly attached to a flat panel display and to a base, the moveable assembly shown in a second position.

FIG. 10 Shows a back perspective view of a display device with a moveable assembly attached to a flat panel display and to a base, the moveable assembly shown in a second position.

FIG. 11 shows a front perspective view of a third embodiment of a display device with a moveable assembly attached to a flat panel display and to a base, the moveable assembly shown in a first position.

FIG. 12 Shows a back perspective view of a display device with moveable assembly attached to a flat panel display and to a base, the moveable assembly shown in a first position.

FIG. 13 shows a front view of a fourth embodiment of a display device with a moveable assembly attached to a flat panel display and to a base.

FIG. 14 Shows a back view of a display device with a moveable assembly attached to a flat panel display and to a base.

FIG. 15 Shows a side left view of a display device with a moveable assembly attached to a flat panel display and to a base.

FIG. 16 Shows a side right view of a display device with a moveable assembly attached to a flat panel display and to a base.

FIG. 17 Shows a bottom view of a display device with moveable assembly attached to a flat panel display and to a base; and,

FIG. 18 Shows a top view of a display device with a moveable assembly attached to a flat panel display and to a base.

1 Claim, 9 Drawing Sheets

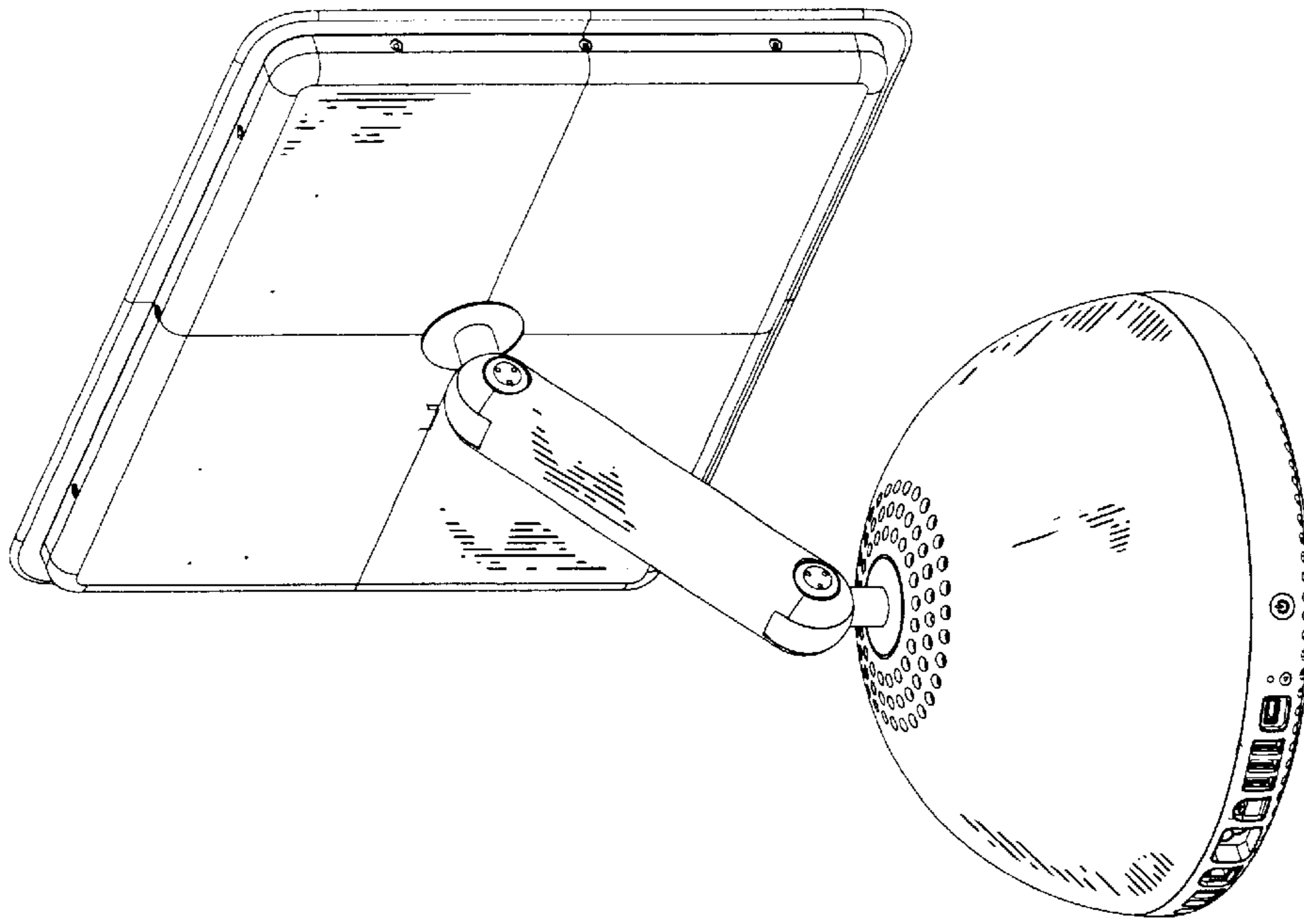


FIG. 2

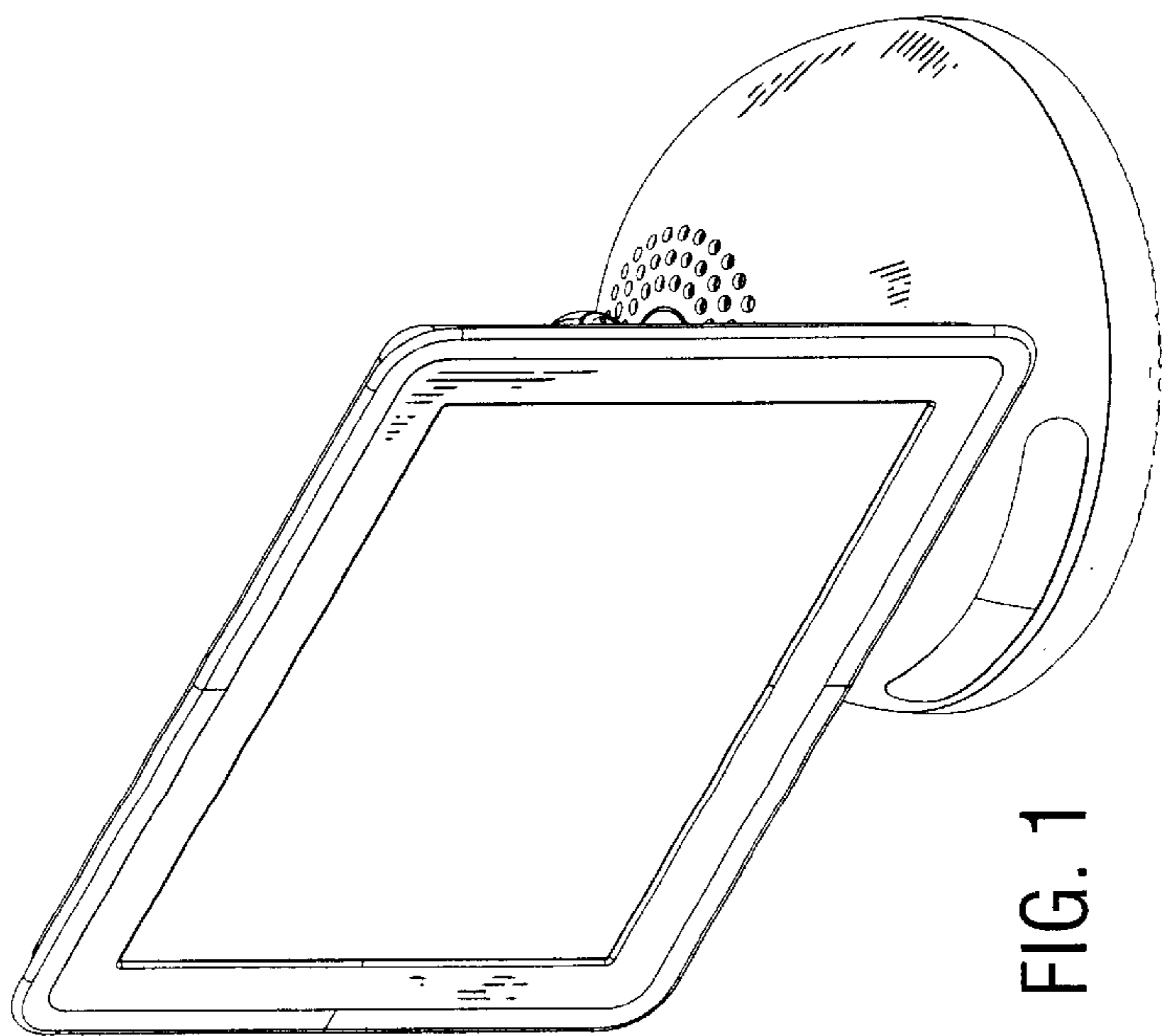


FIG. 1

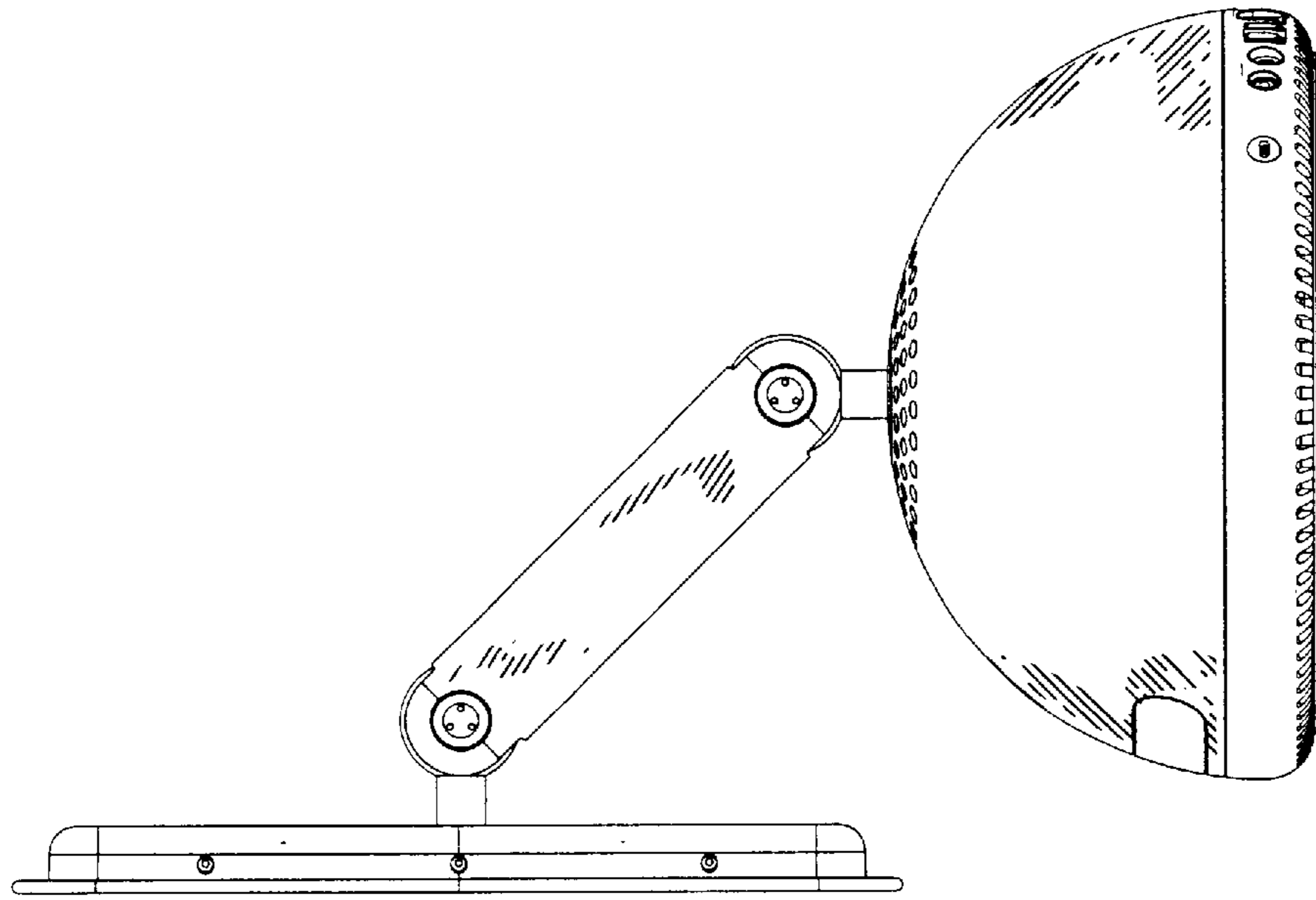


FIG. 4

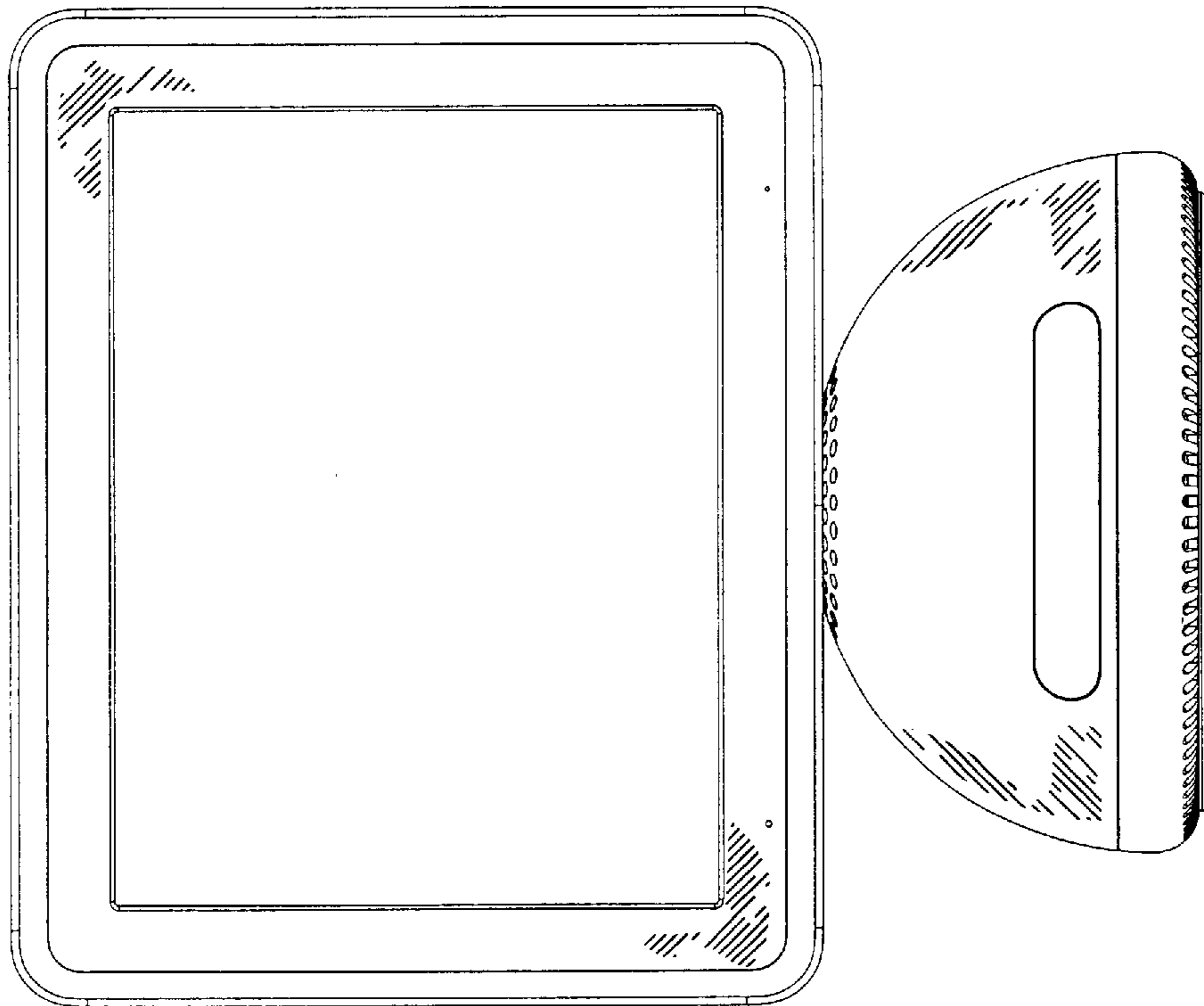


FIG. 3

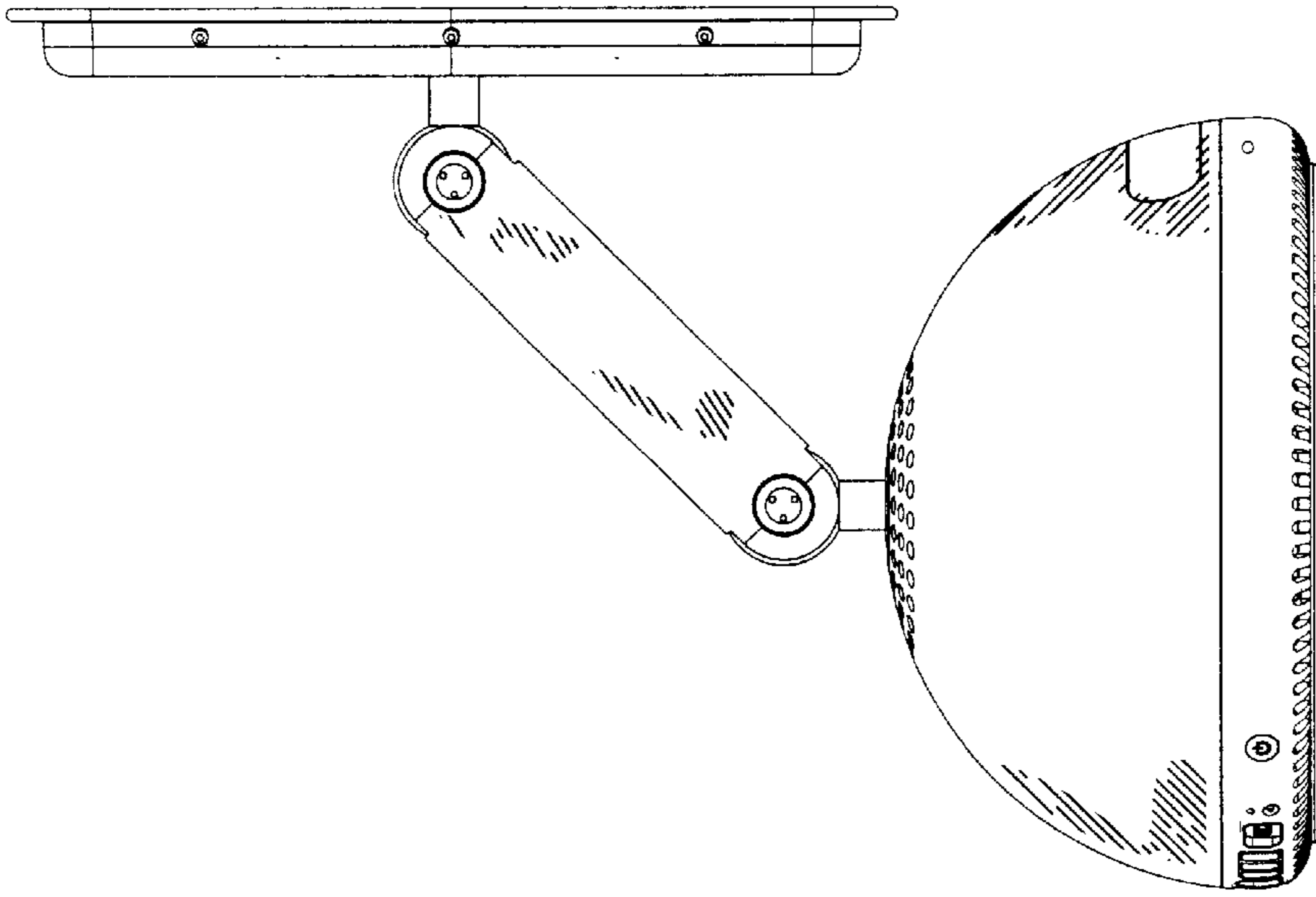


FIG. 6

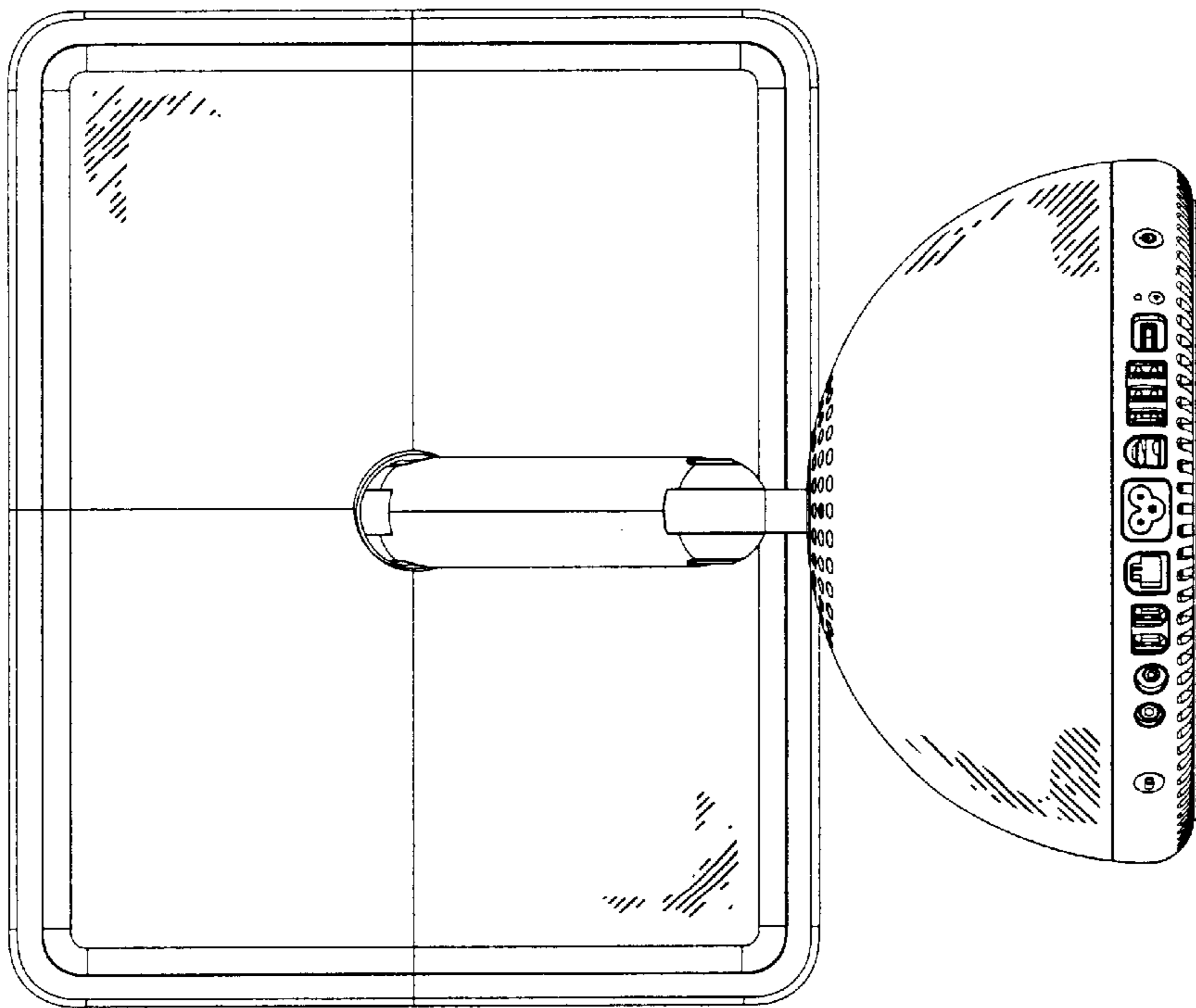


FIG. 5

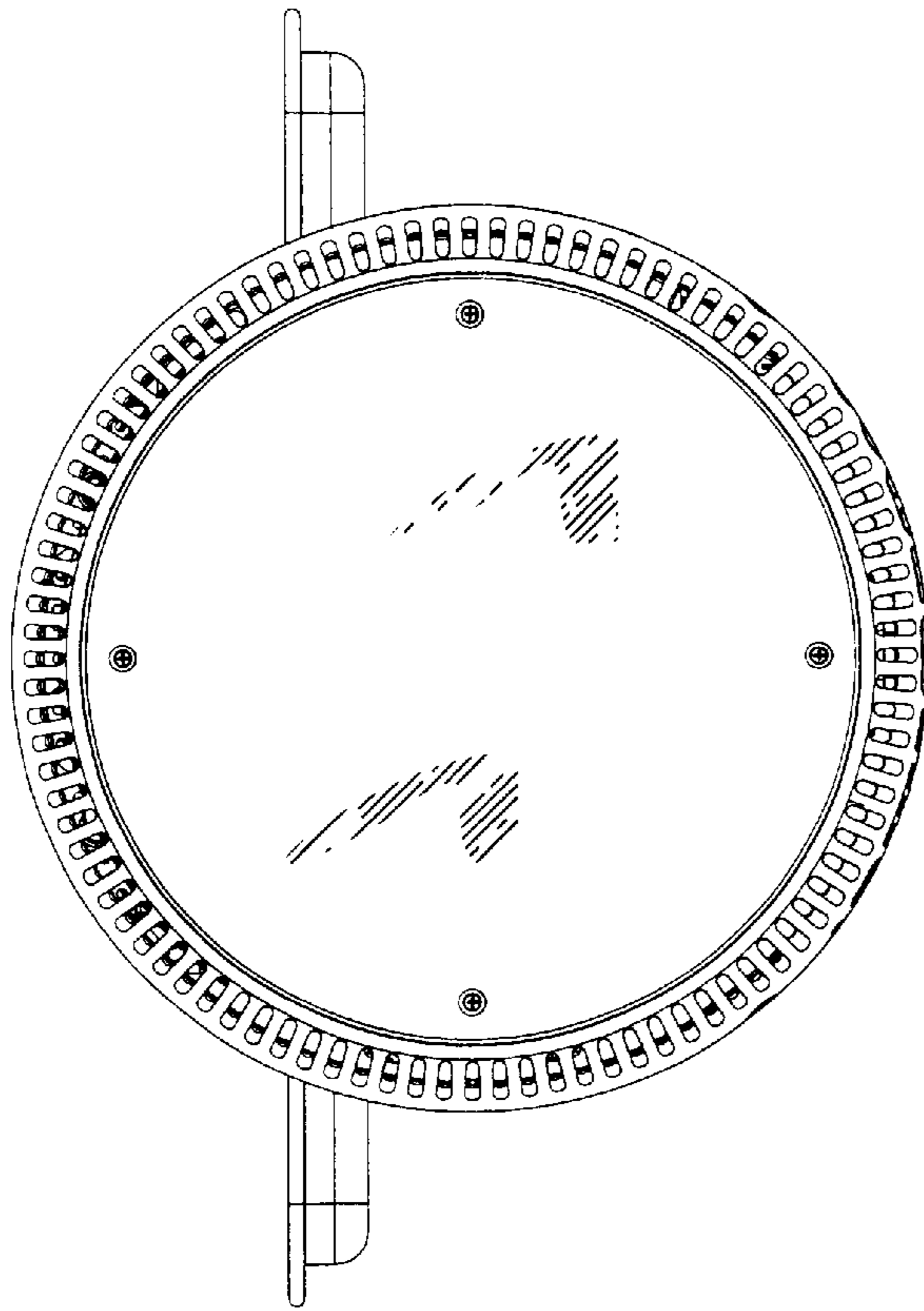


FIG. 8

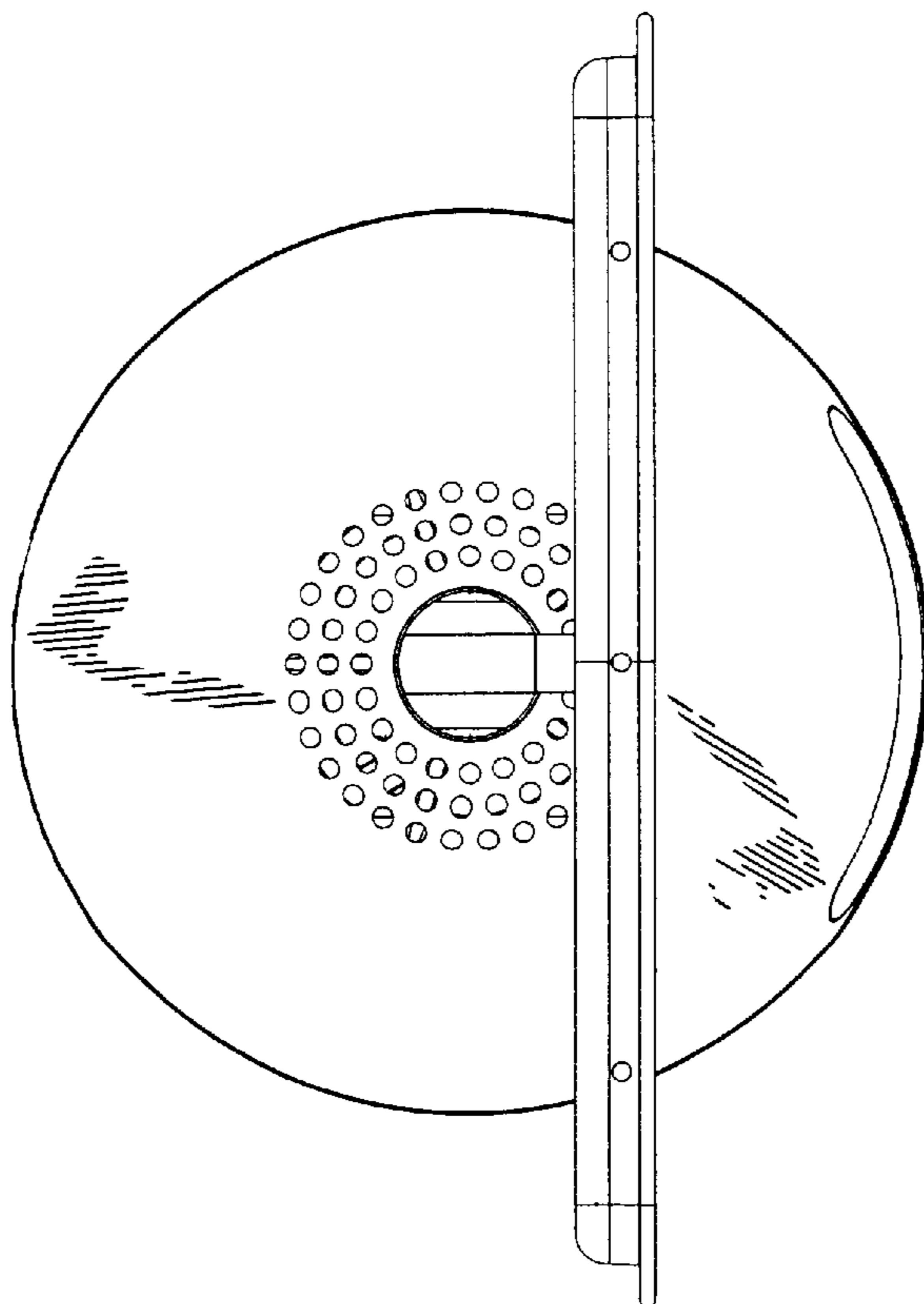


FIG. 7

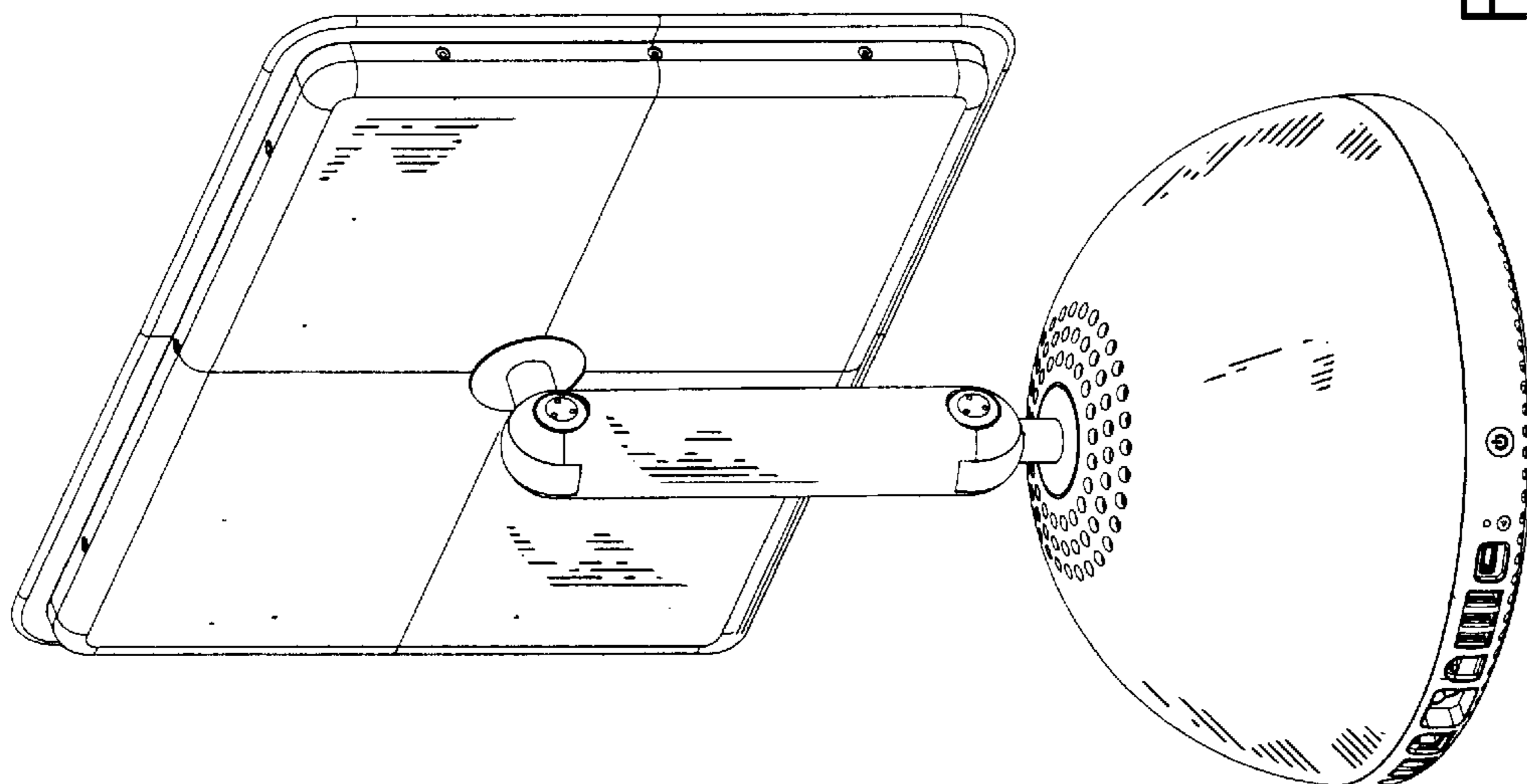


FIG. 10

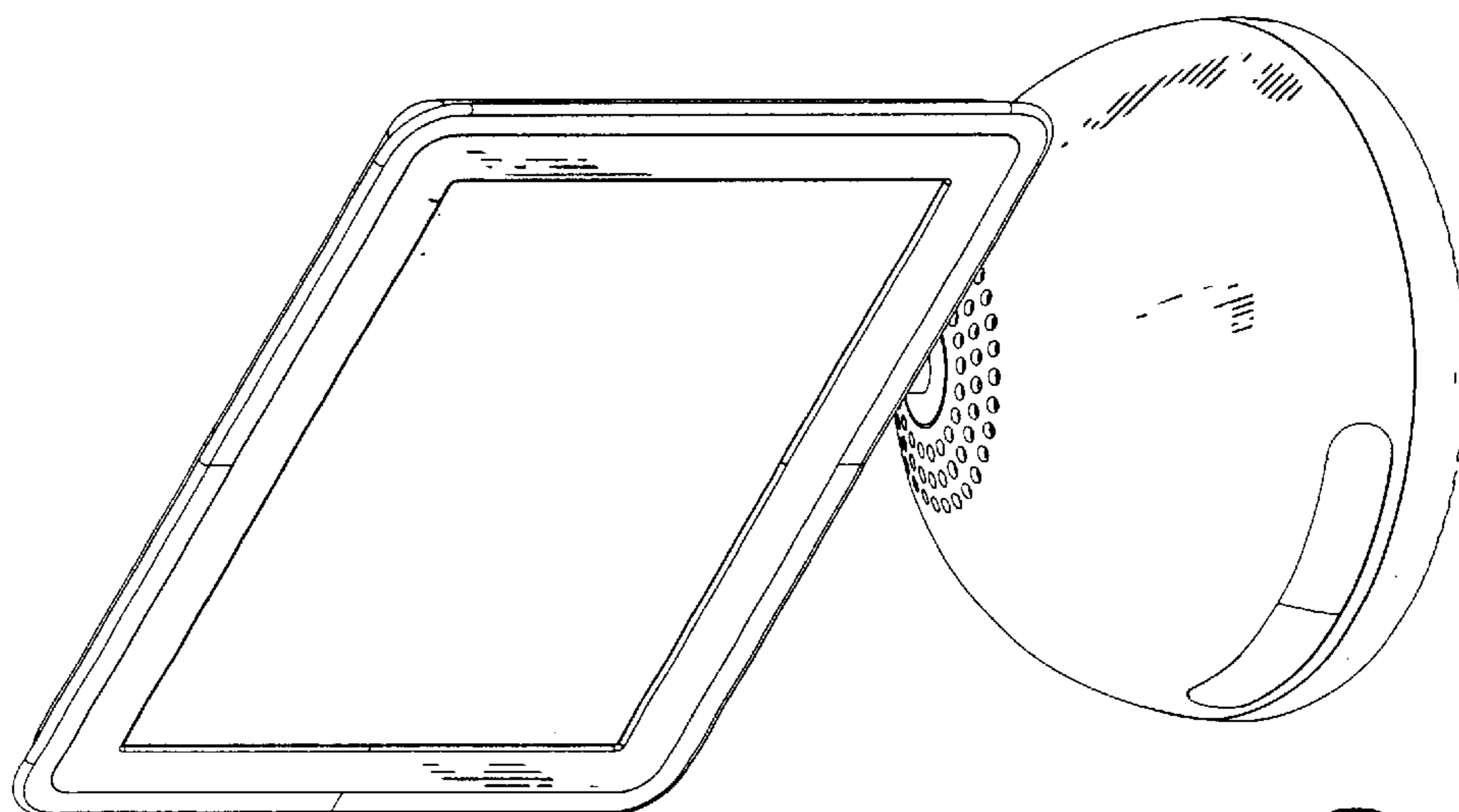


FIG. 9

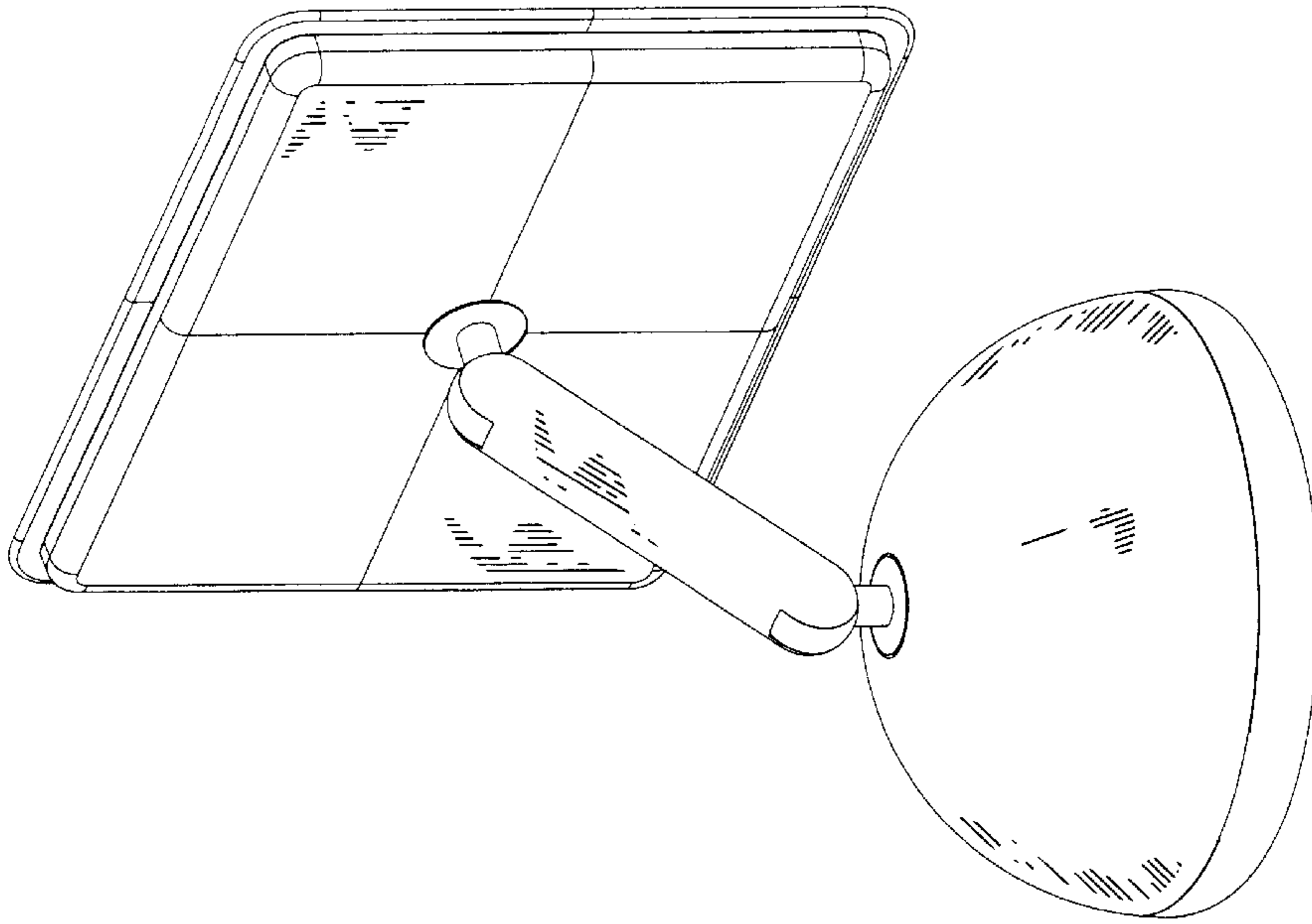


FIG. 12

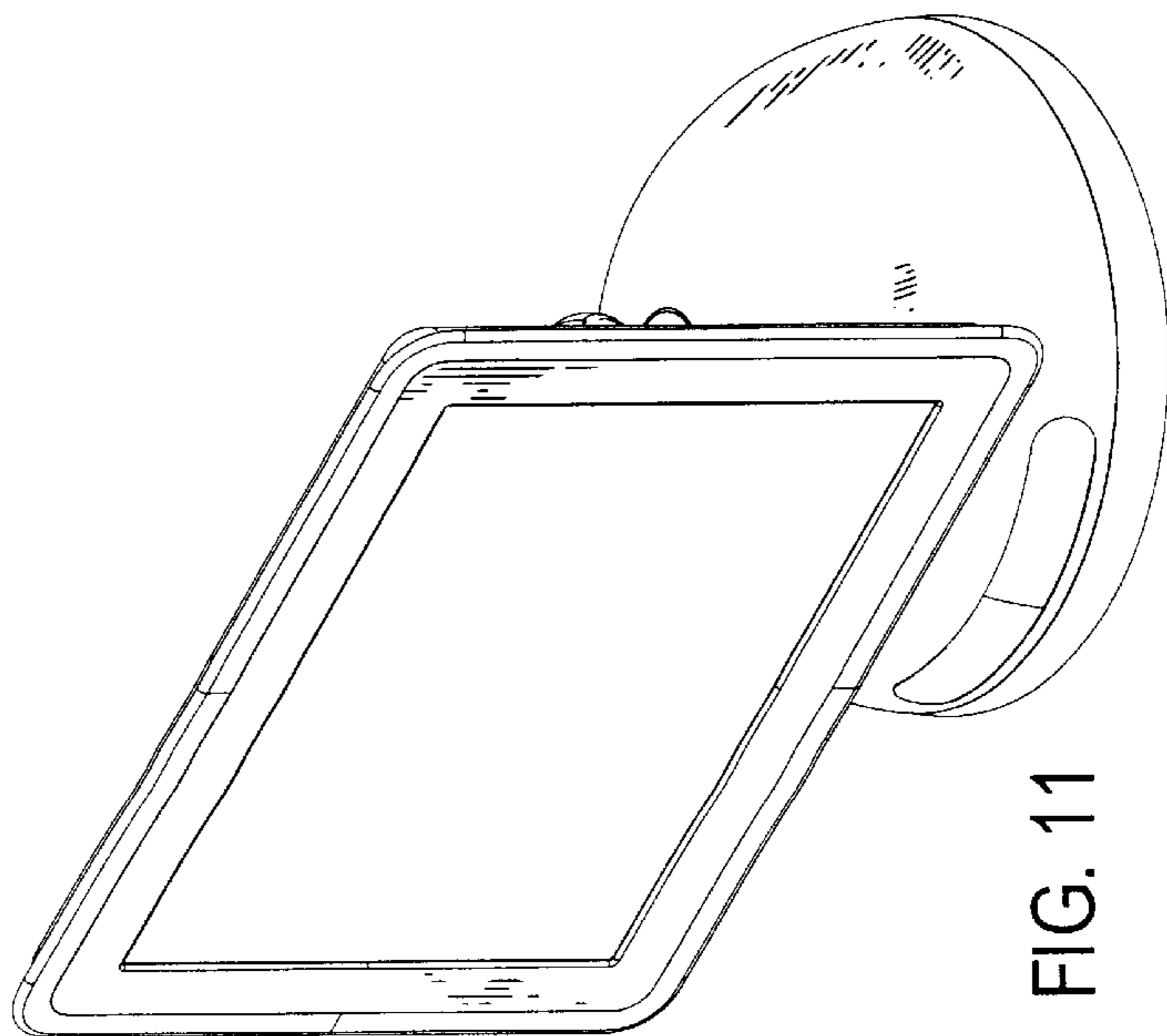


FIG. 11

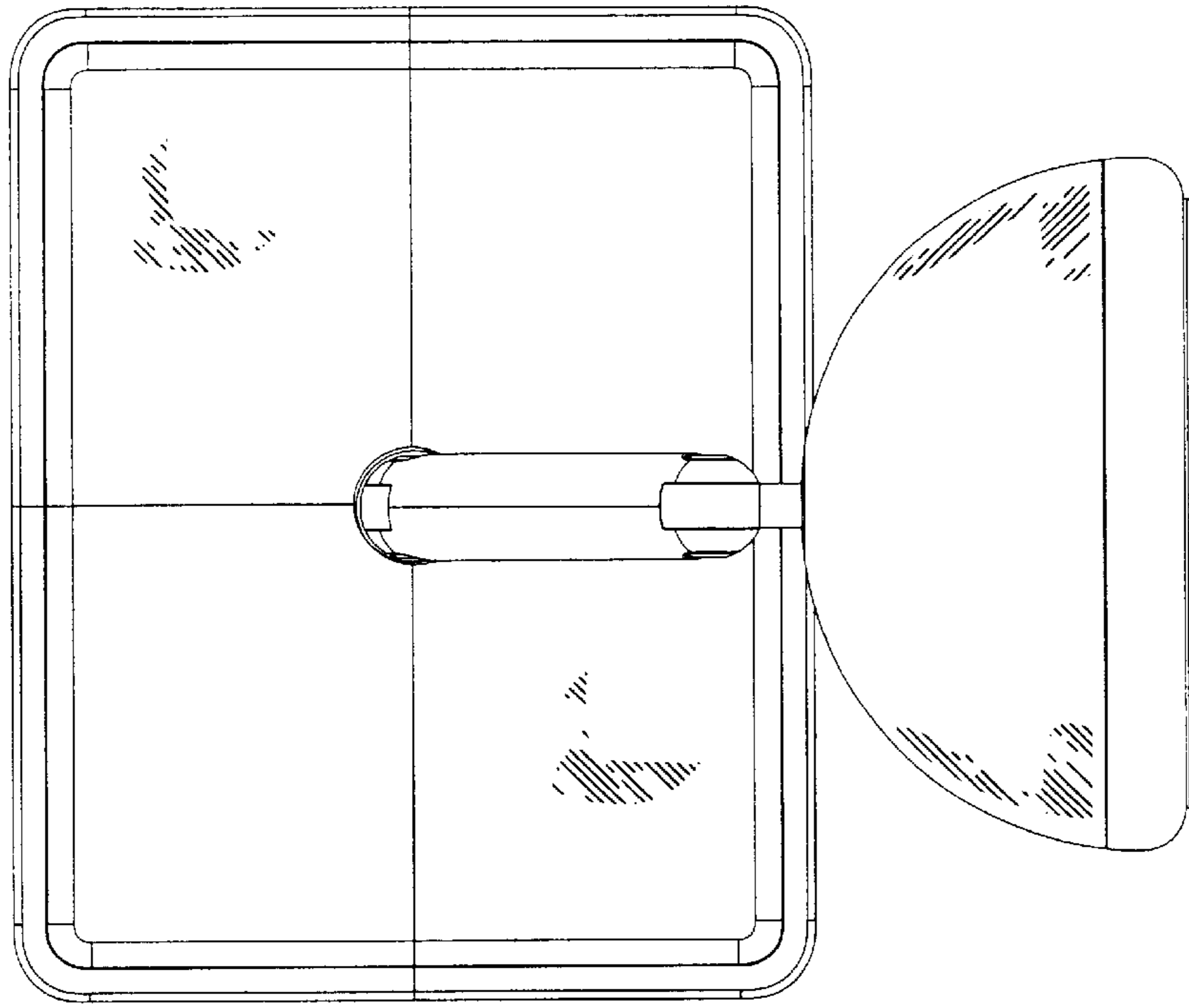


FIG. 14

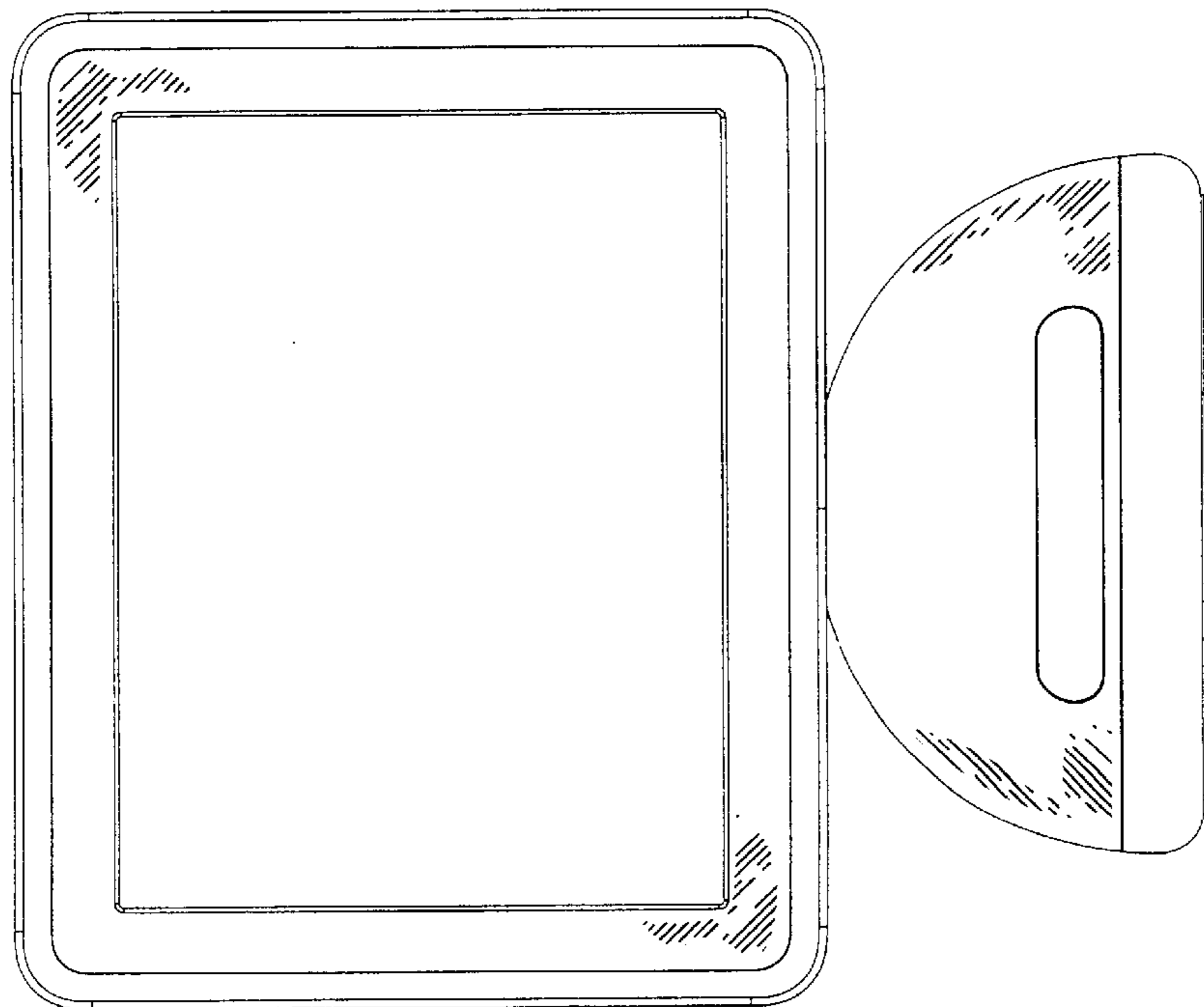


FIG. 13

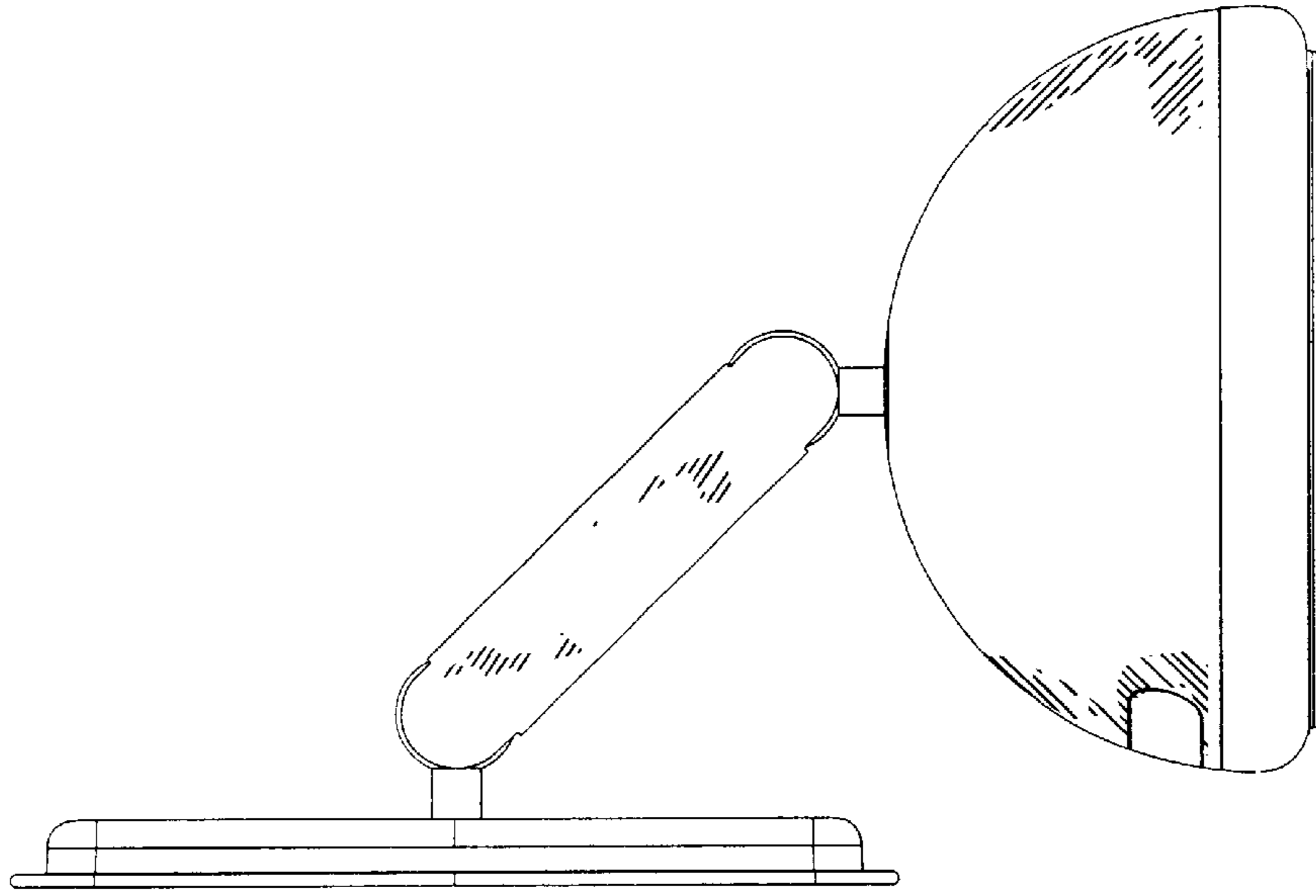


FIG. 15

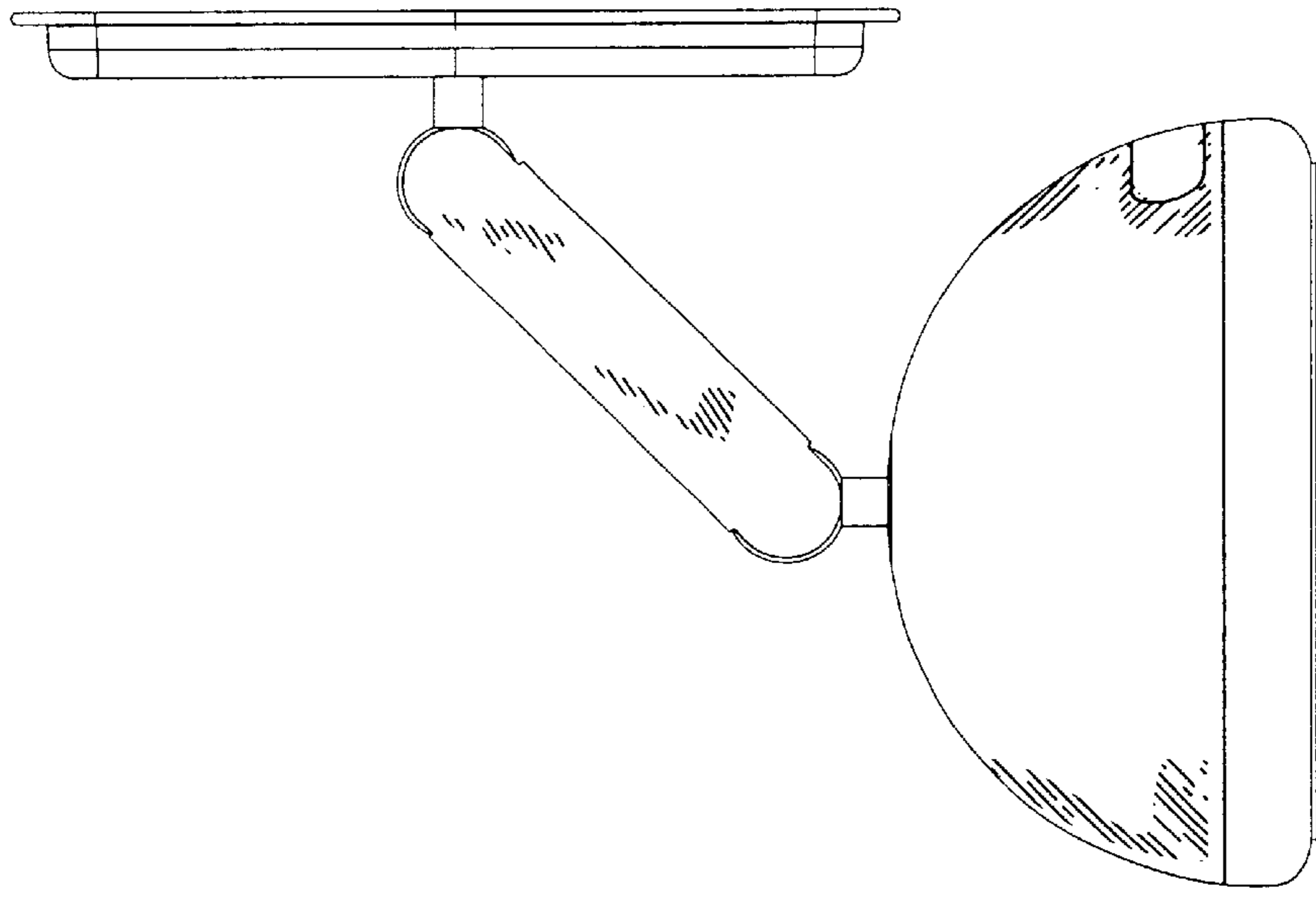


FIG. 16

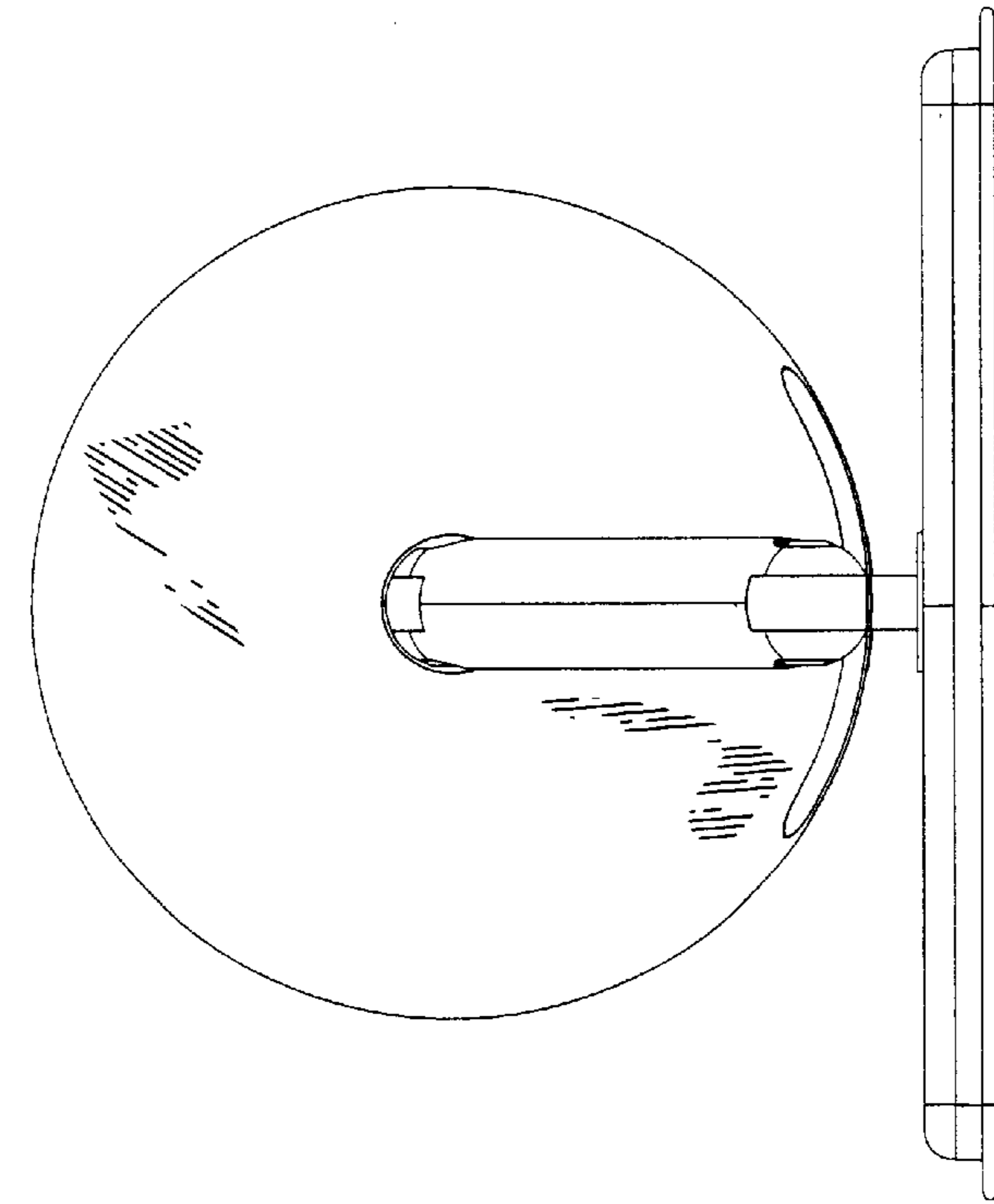


FIG. 18

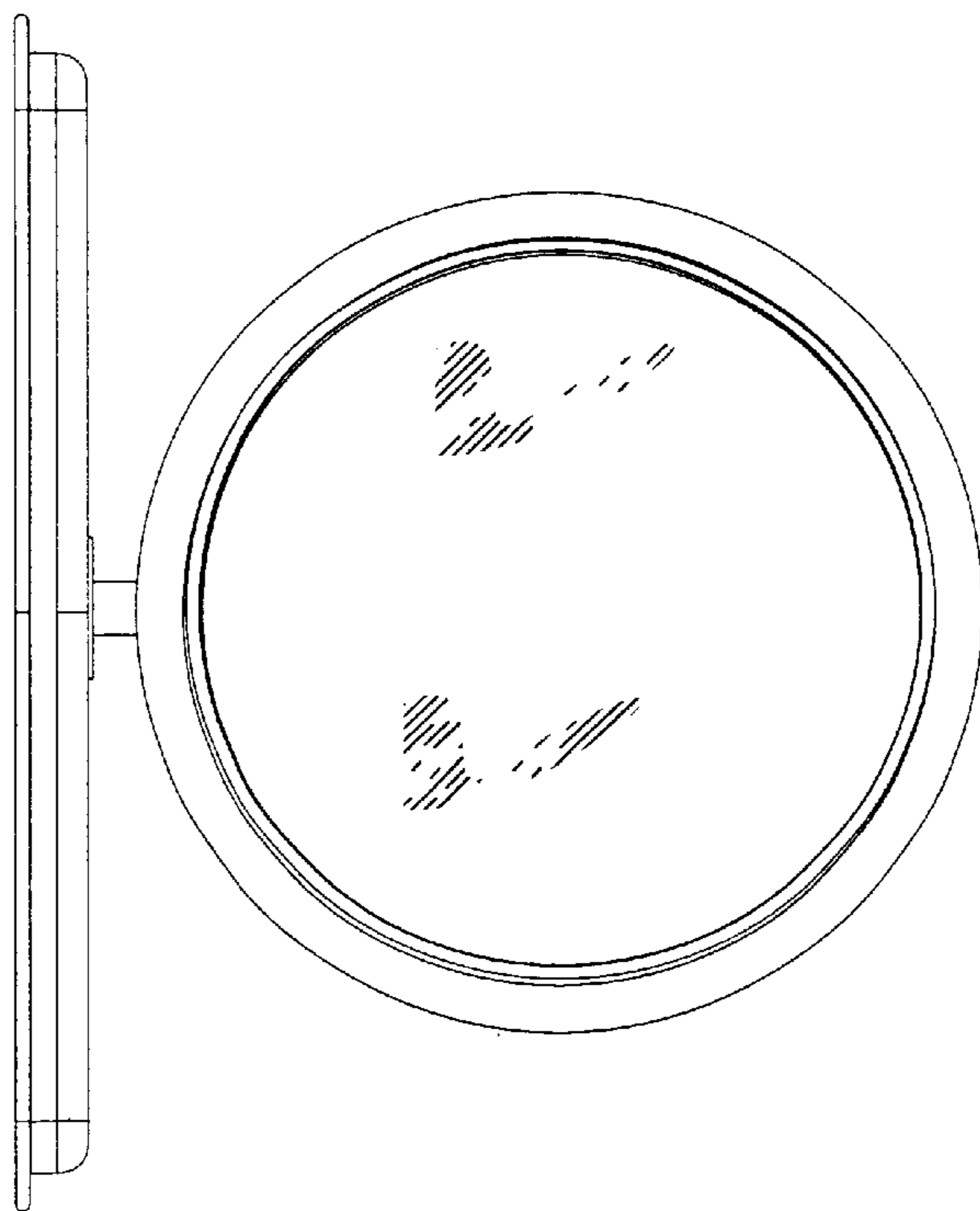


FIG. 17