



US00D486485S

(12) **United States Design Patent**  
**Dodson**

(10) **Patent No.:** **US D486,485 S**

(45) **Date of Patent:** **\*\* Feb. 10, 2004**

(54) **COMPUTER**

(76) **Inventor:** **Douglas A. Dodson**, 5995 Avenida Encinas, Carlsbad, CA (US) 92008

(\*\*) **Term:** **14 Years**

(21) **Appl. No.:** **29/180,860**

(22) **Filed:** **Apr. 29, 2003**

(51) **LOC (7) Cl.** ..... **14-02**

(52) **U.S. Cl.** ..... **D14/314; D14/348; D14/355**

(58) **Field of Search** ..... **D14/300, 308, D14/310, 312, 313, 314, 349-355; 361/683, 724; 312/223.2**

(56) **References Cited**

**U.S. PATENT DOCUMENTS**

D306,283 S	*	2/1990	Loose	.....	D14/355
D306,432 S	*	3/1990	Kato et al.	.....	D14/355
D311,388 S	*	10/1990	Yoshitake	.....	D14/348
D319,225 S	*	8/1991	Kline et al.	.....	D14/368

D351,145 S	*	10/1994	Hill et al.	.....	D14/362
D456,022 S	*	4/2002	Dodson	.....	D14/355
D471,908 S	*	3/2003	Stone et al.	.....	D14/356

\* cited by examiner

*Primary Examiner*—Joel Sincavage  
(74) *Attorney, Agent, or Firm*—Calif Tervo

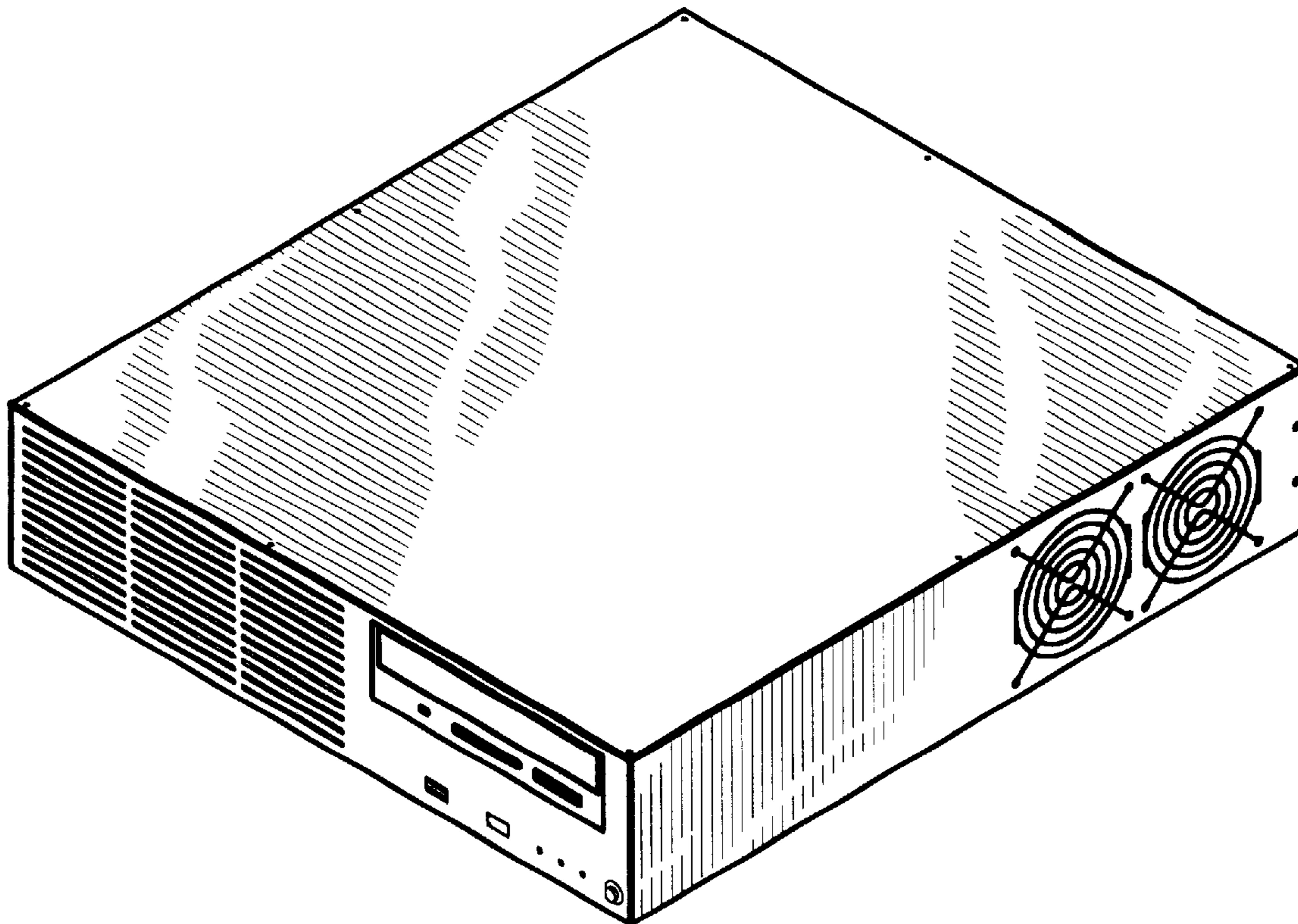
(57) **CLAIM**

The ornamental design for a computer, as shown and described.

**DESCRIPTION**

FIG. 1 is a perspective view of a computer showing my new design;  
FIG. 2 is a top plan view thereof;  
FIG. 3 is a front elevation view thereof;  
FIG. 4 is a bottom plan view thereof;  
FIG. 5 is a right side elevation view thereof;  
FIG. 6 is a rear elevation view thereof; and,  
FIG. 7 is a left side elevation view thereof.

**1 Claim, 2 Drawing Sheets**



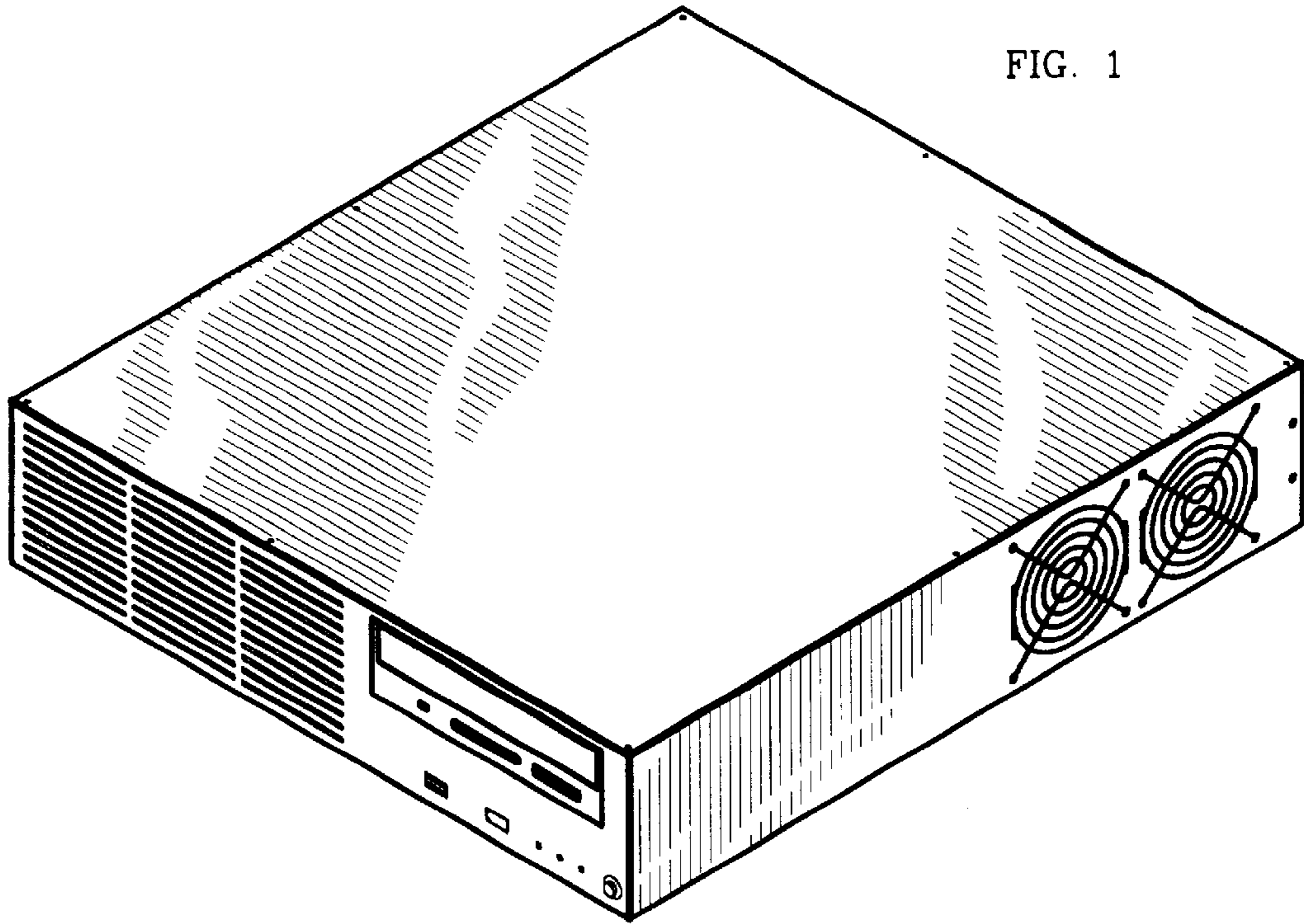


FIG. 1

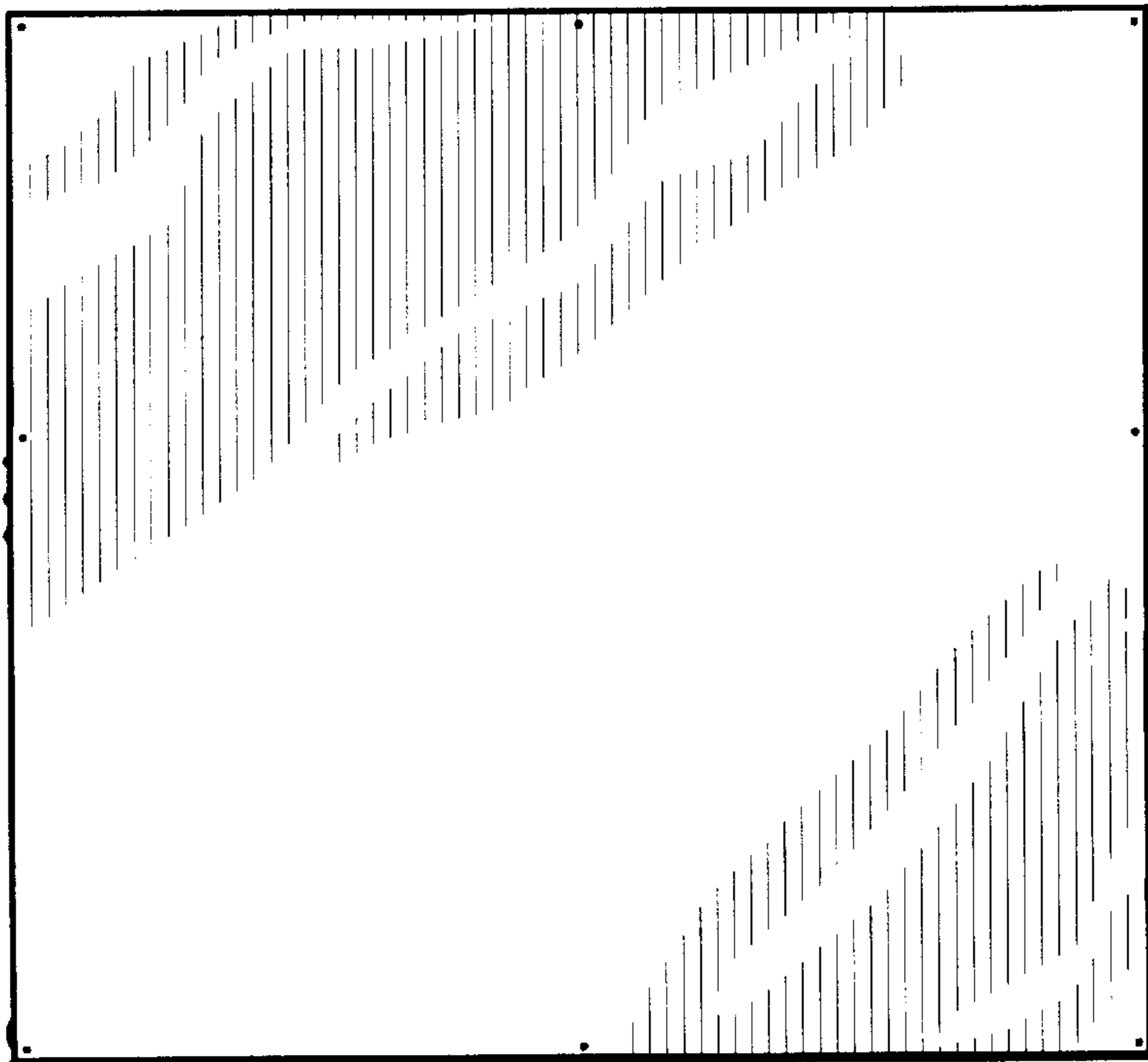


FIG. 2

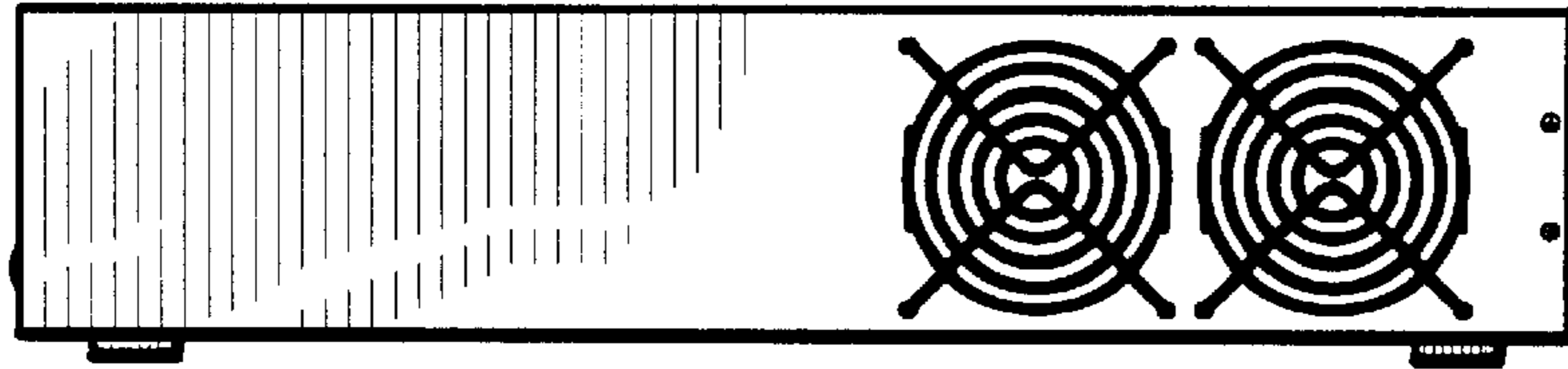


FIG. 5

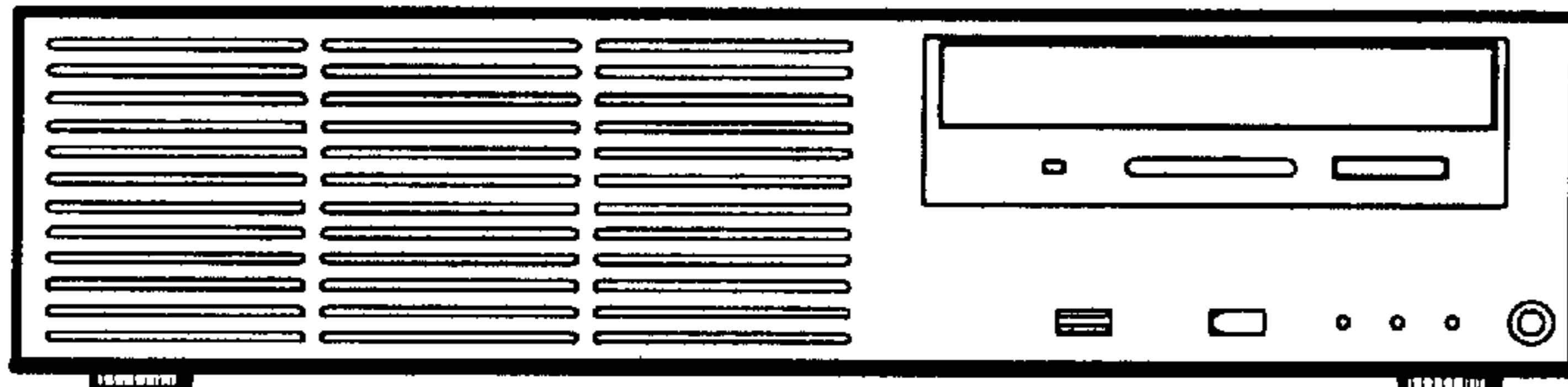


FIG. 3

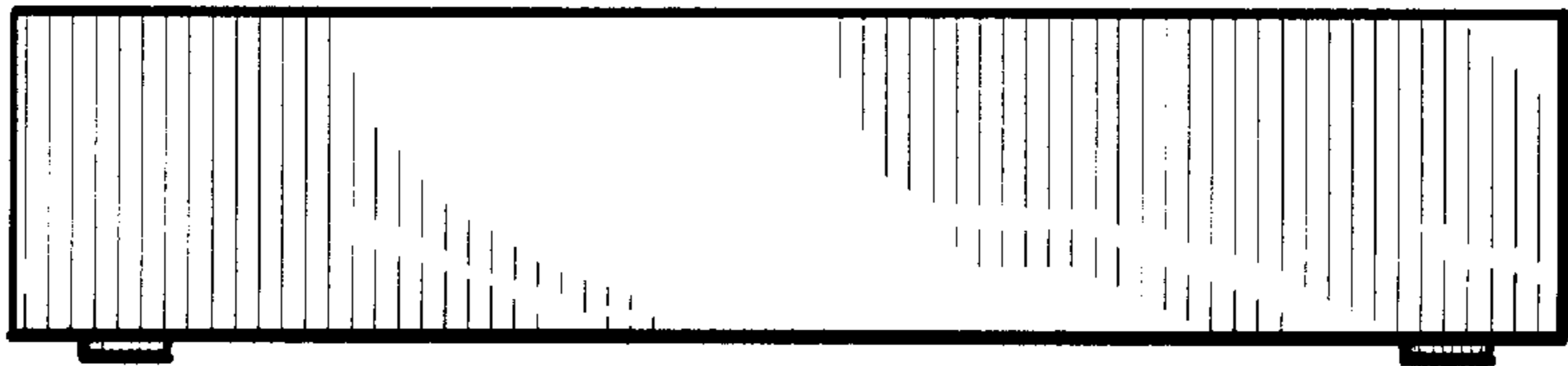


FIG. 7

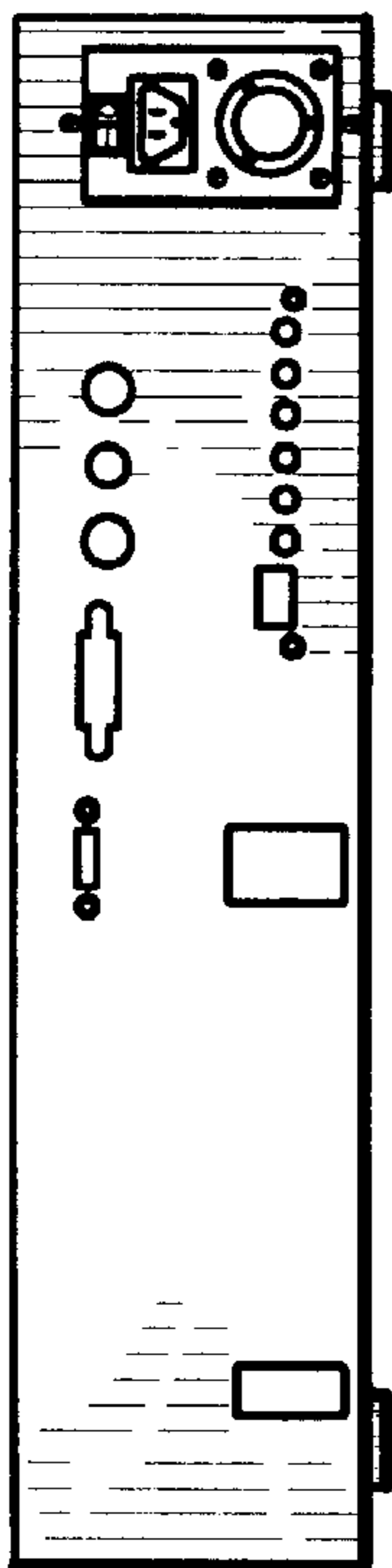


FIG. 6

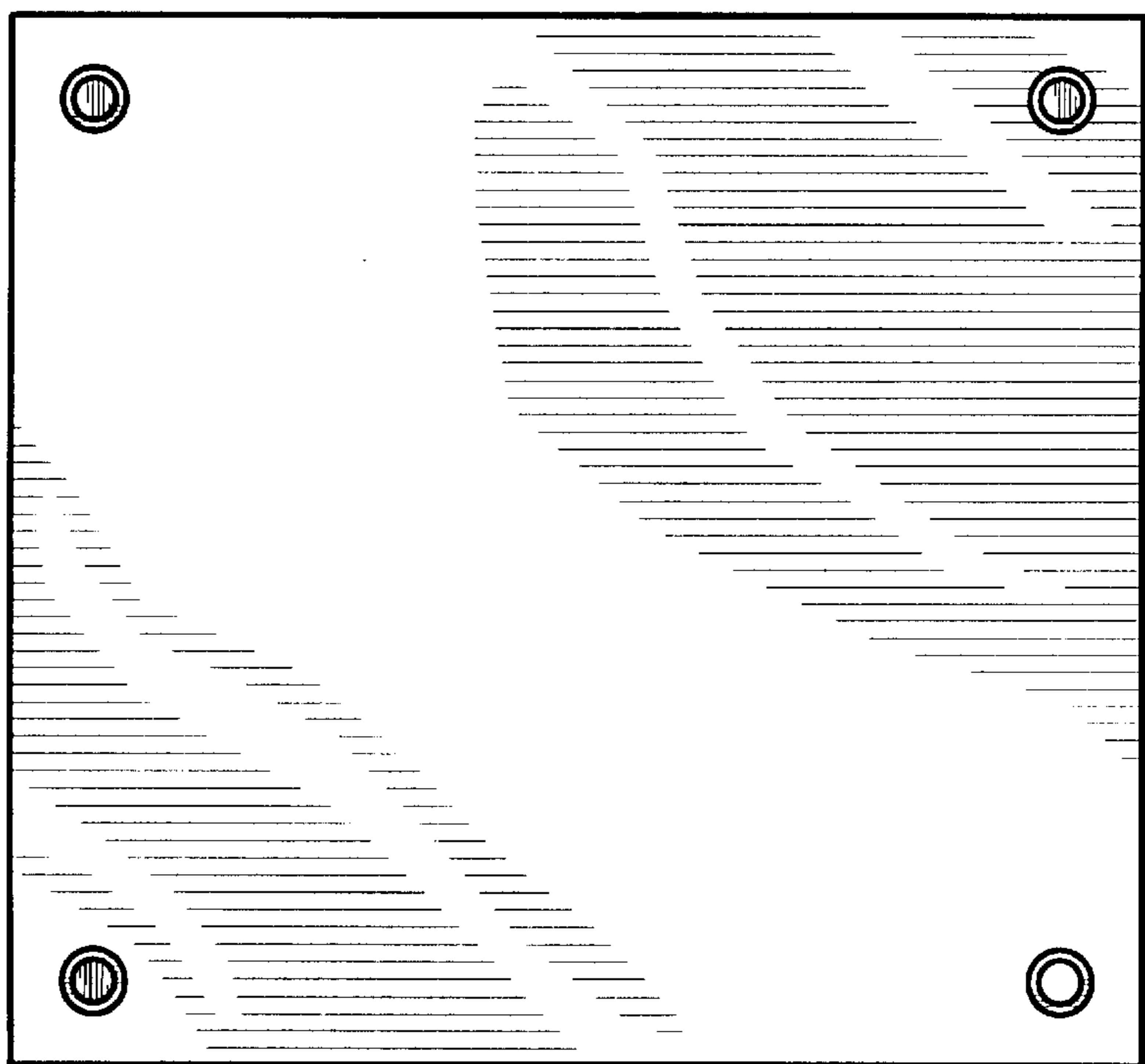


FIG. 4