



US00D486482S

(12) **United States Design Patent**
Huang

(10) **Patent No.:** **US D486,482 S**

(45) **Date of Patent:** **** Feb. 10, 2004**

(54) **NETWORK CARD DEVICE**

(75) **Inventor:** **Chia Min Huang, Chong Ho (TW)**

(73) **Assignee:** **Ko Yuan Investment Co., Ltd., Taipei (TW)**

(**) **Term:** **14 Years**

(21) **Appl. No.:** **29/182,304**

(22) **Filed:** **May 23, 2003**

(51) **LOC (7) Cl. 14-03**

(52) **U.S. Cl. D14/242; D14/436**

(58) **Field of Search D14/432-438, D14/242, 240; 361/600, 622, 684, 724-728; D13/182, 184, 164, 147, 123, 110; 379/433.01-433.13, 420.01-420.04, 440, 428.01-428.04**

(56) **References Cited**

U.S. PATENT DOCUMENTS

- D355,412 S * 2/1995 Rak et al. D14/242
- 5,913,174 A * 6/1999 Casarez et al. 455/557
- D415,479 S * 10/1999 Yang et al. D14/436

D425,045 S * 5/2000 Ting D14/438

D431,035 S * 9/2000 Lehtomaki D14/242

6,183,308 B1 * 2/2001 Laity 439/676

D452,494 S * 12/2001 Sodling D14/242

6,353,534 B1 * 3/2002 Chen 361/684

* cited by examiner

Primary Examiner—Kay H. Chin

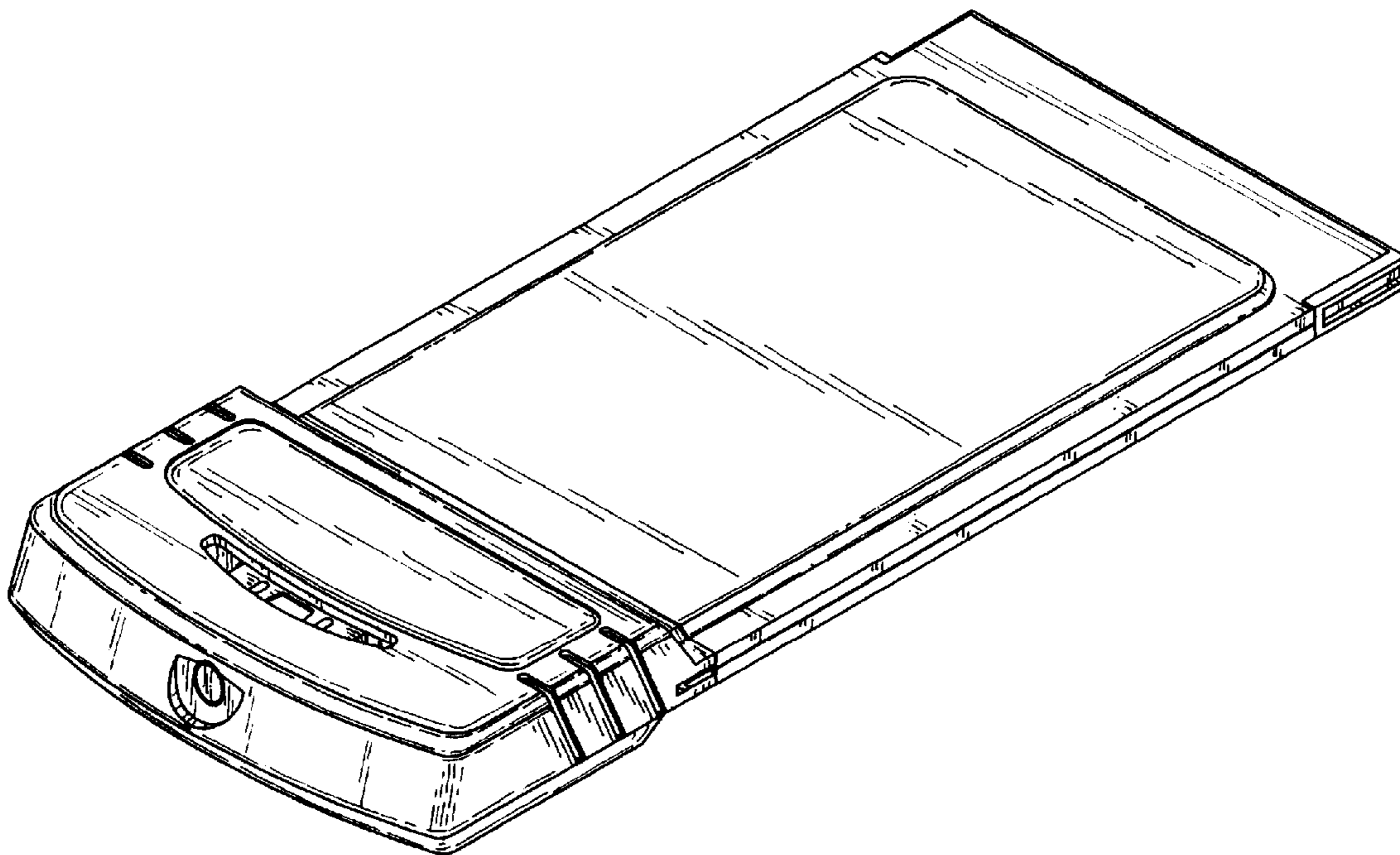
(57) **CLAIM**

The ornamental design for a network card device, as shown and described.

DESCRIPTION

FIG. 1 is a perspective view of a network card device showing my new design;
 FIG. 2 is a front elevational view thereof;
 FIG. 3 is a rear elevational view thereof;
 FIG. 4 is a top plan view thereof;
 FIG. 5 is a bottom plan view thereof;
 FIG. 6 is a left side elevational view thereof; and,
 FIG. 7 is a right side elevational view thereof.

1 Claim, 3 Drawing Sheets



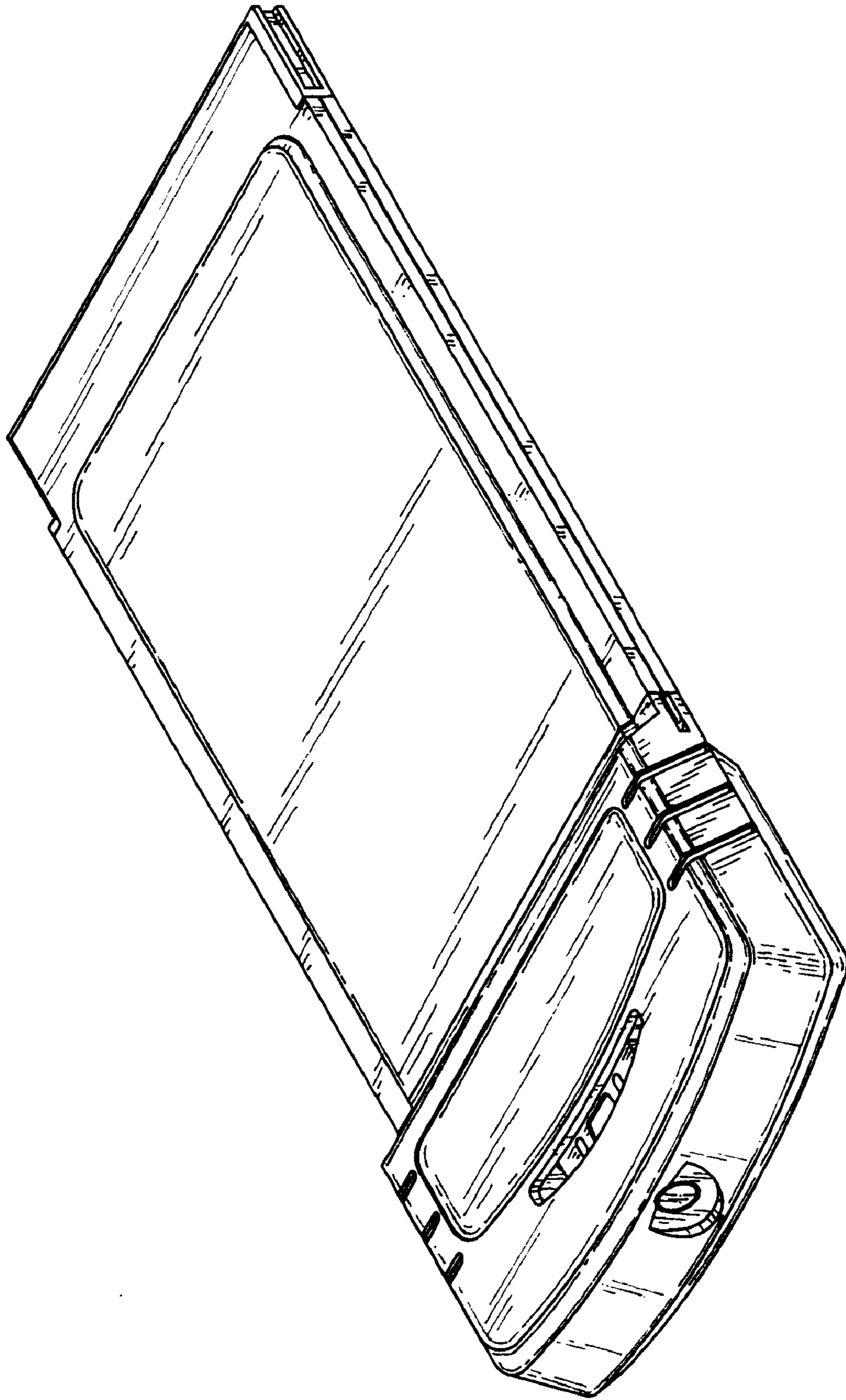


FIG. 1

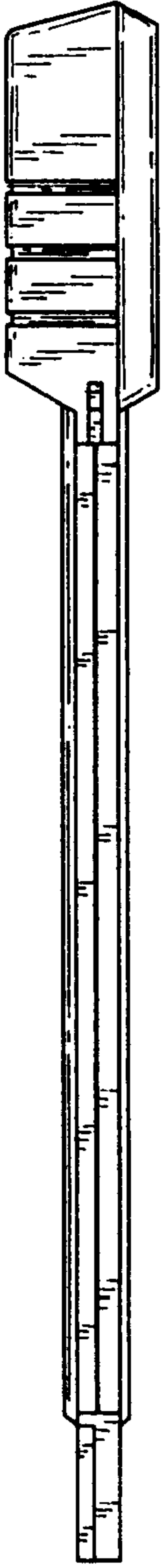


FIG. 6



FIG. 2

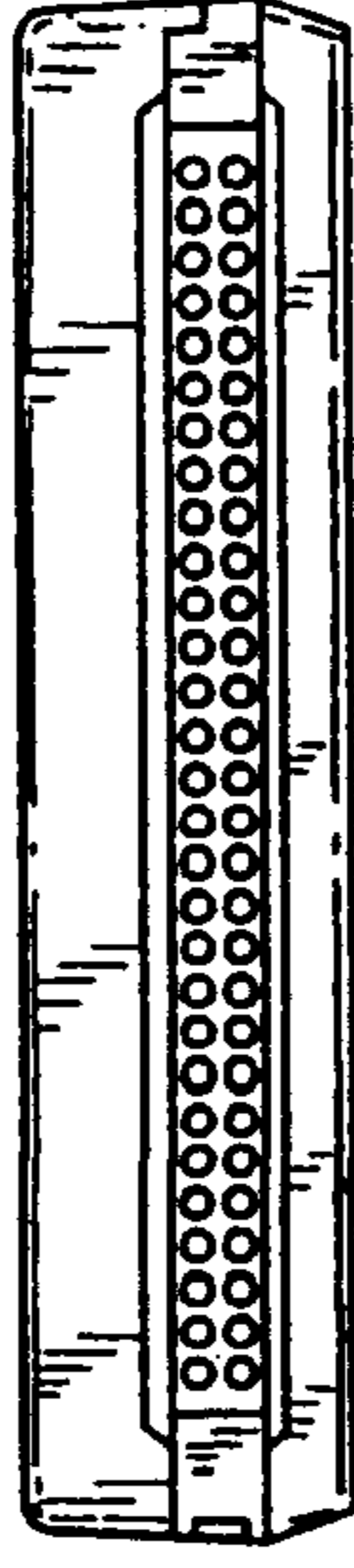


FIG. 3

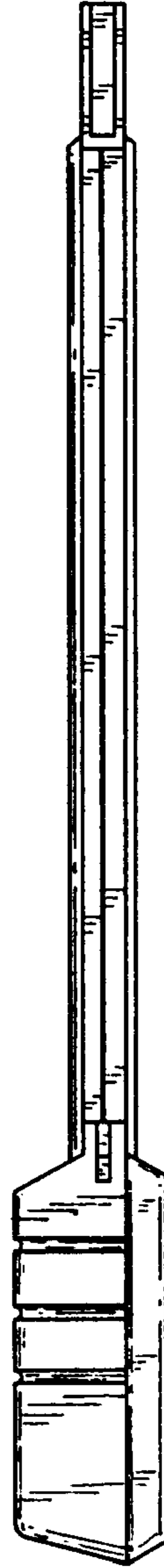


FIG. 7

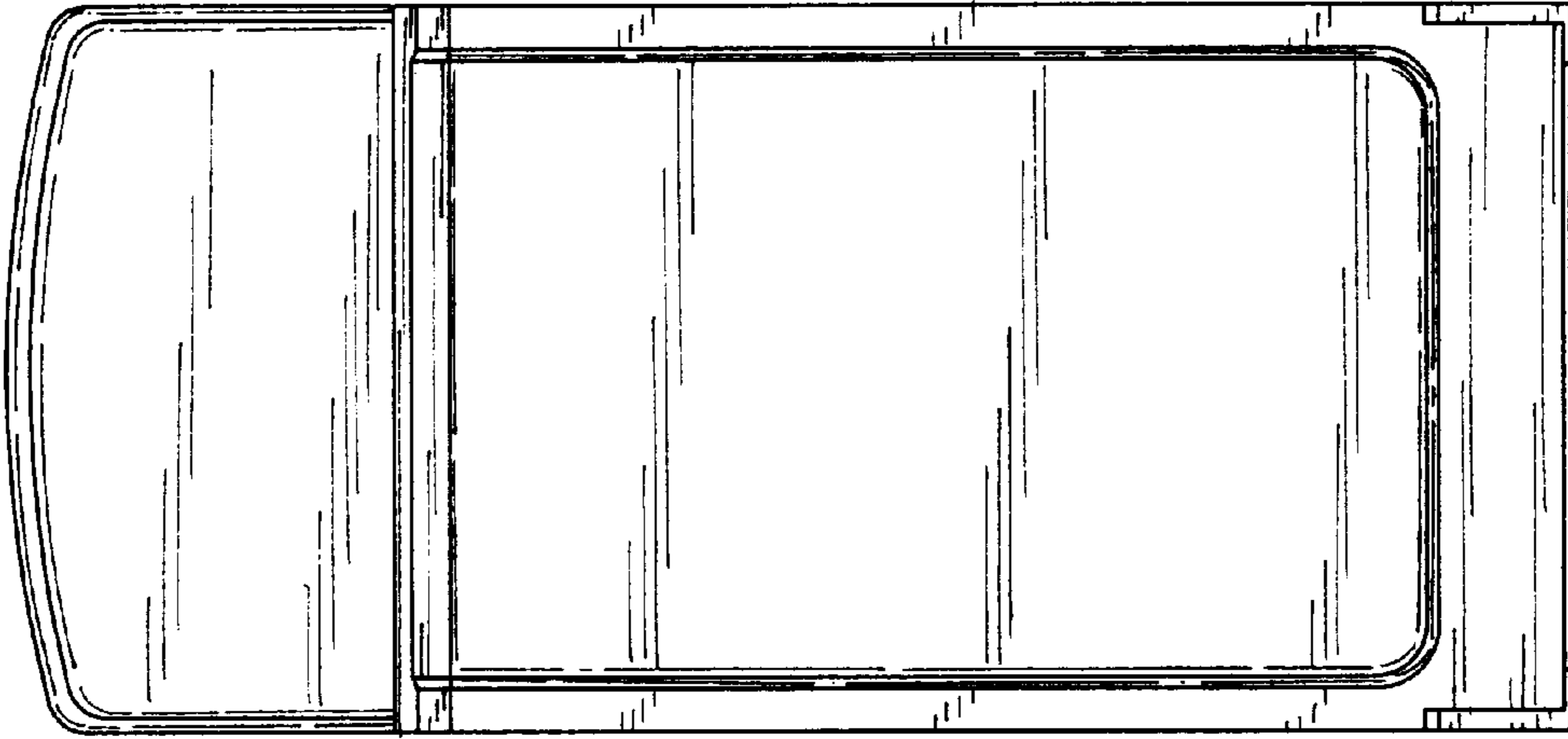


FIG. 5

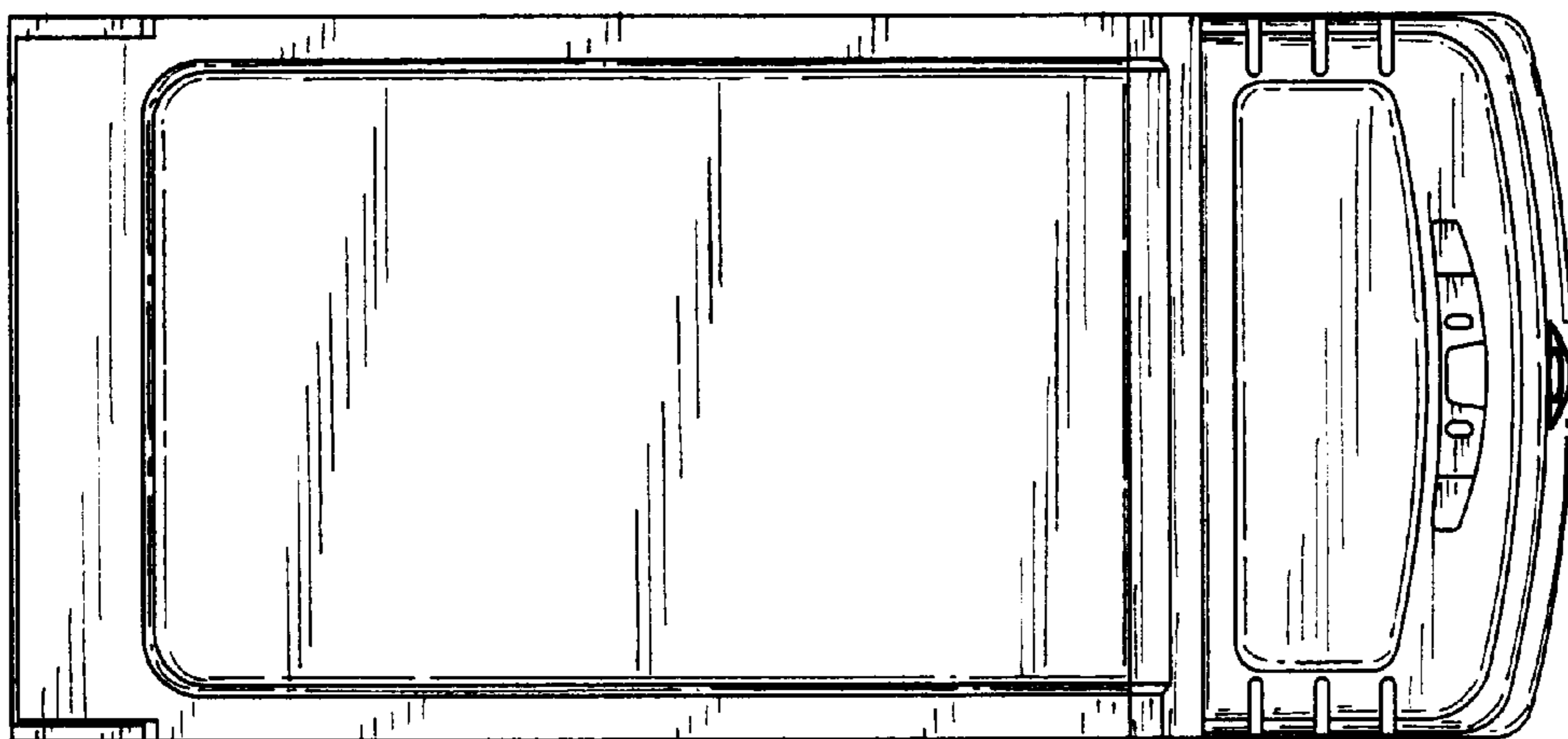


FIG. 4