



US00D486480S

(12) **United States Design Patent**
Tanaka

(10) **Patent No.:** **US D486,480 S**

(45) **Date of Patent:** **** Feb. 10, 2004**

(54) **MODEM FOR DATA COMMUNICATIONS**

(75) **Inventor:** **Keita Tanaka, Meguroku (JP)**

(73) **Assignee:** **Kabushiki Kaisha Toshiba (JP)**

(**) **Term:** **14 Years**

(21) **Appl. No.:** **29/172,113**

(22) **Filed:** **Dec. 6, 2002**

(30) **Foreign Application Priority Data**

Jun. 6, 2002 (JP) 2002-015221

(51) **LOC (7) Cl.** **14-03**

(52) **U.S. Cl.** **D14/242**

(58) **Field of Search** D14/242, 240,
D14/353; 379/440, 93.08, 93.09, 93.15,
93.16, 165; D13/184; 361/622; 455/500-556,
557-565; 375/200-225

(56) **References Cited**

U.S. PATENT DOCUMENTS

D359,287 S	*	6/1995	Heberling et al.	D14/242
D363,722 S	*	10/1995	Aldridge et al.	D14/242
D384,672 S	*	10/1997	Heberling	D14/242
D437,314 S	*	2/2001	DeLeon	D14/242
D437,592 S	*	2/2001	DeLeon	D14/242
D464,341 S		10/2002	Tanaka		
D471,183 S	*	3/2003	Wang et al.	D14/242
D473,547 S		4/2003	Tanaka		

FOREIGN PATENT DOCUMENTS

DE	49811608		9/1999		
JP	867894		5/1993		
JP	1065960		4/2000		
WO	DM/052978	*	8/2000	14/3
WO	DM/054656	*	10/2000	14/3
WO	DM/056218	*	5/2001	14/3
WO	DM/061536	*	10/2002	14/3

OTHER PUBLICATIONS

Fujitsu, Net Vehicle-S20, May 25, 2000.

* cited by examiner

Primary Examiner—Charles A. Rademaker

(74) *Attorney, Agent, or Firm*—Banner & Witcoff, Ltd.

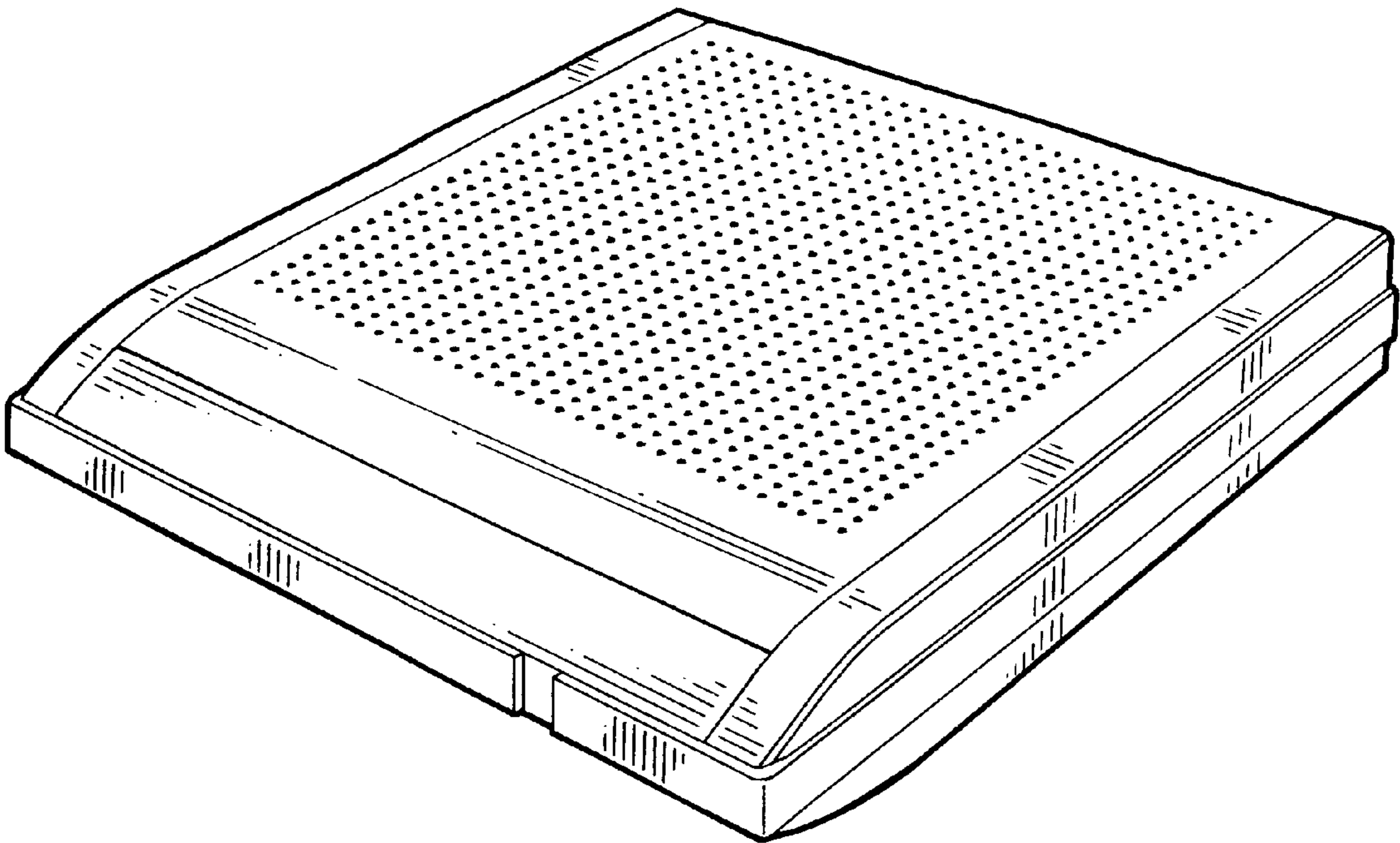
(57) **CLAIM**

The ornamental design for a modem for data communications, as shown and described.

DESCRIPTION

FIG. 1 is a front, top and right side perspective view of a modem for data communications, showing my new design; FIG. 2 is a front elevational view thereof; FIG. 3 is a rear elevational view thereof; FIG. 4 is a right side elevational view thereof; FIG. 5 is a left side elevational view thereof; FIG. 6 is a top plan view thereof; and, FIG. 7 is a bottom plan view thereof.

1 Claim, 2 Drawing Sheets



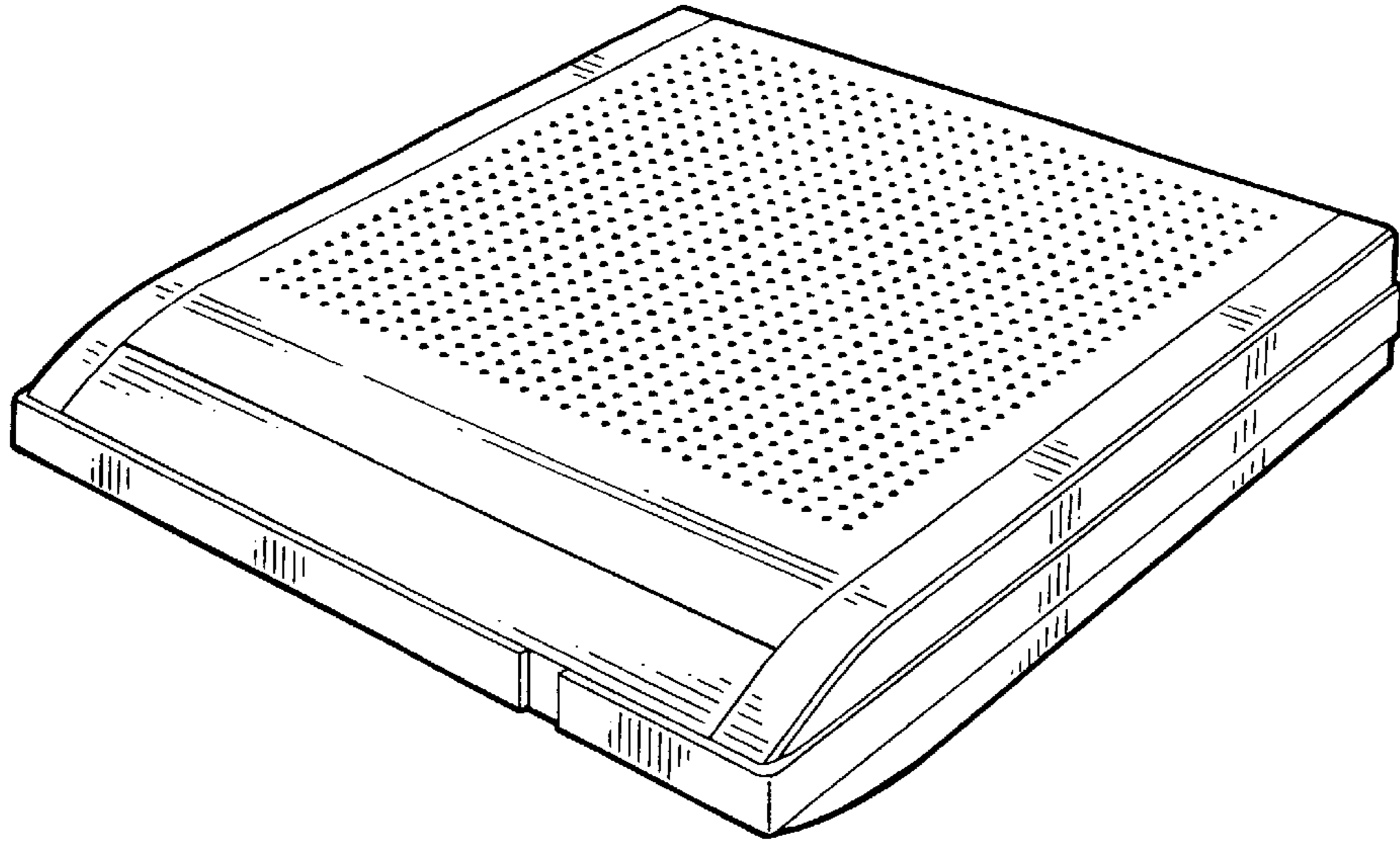


Fig.1

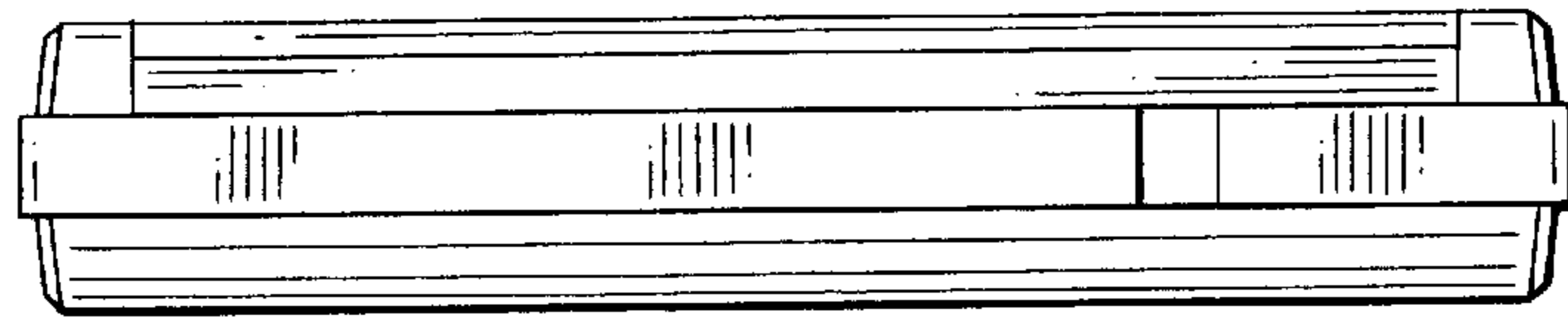


Fig.2

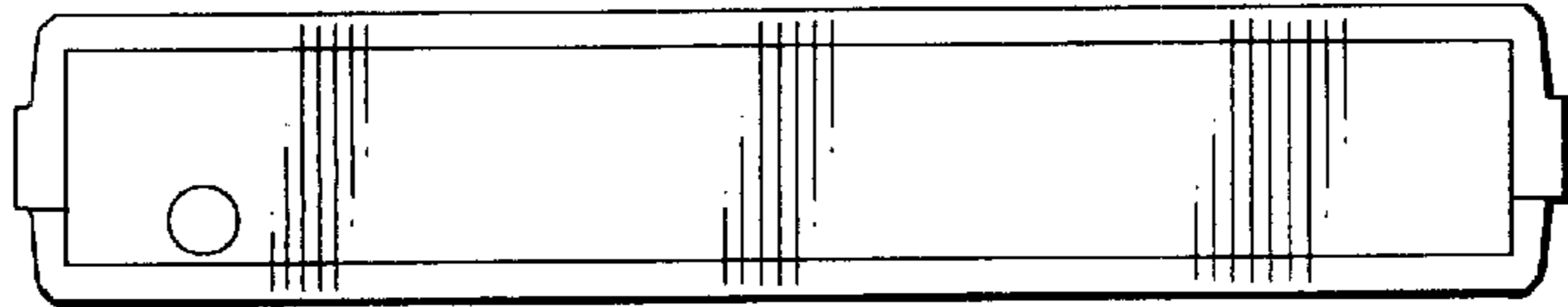


Fig.3

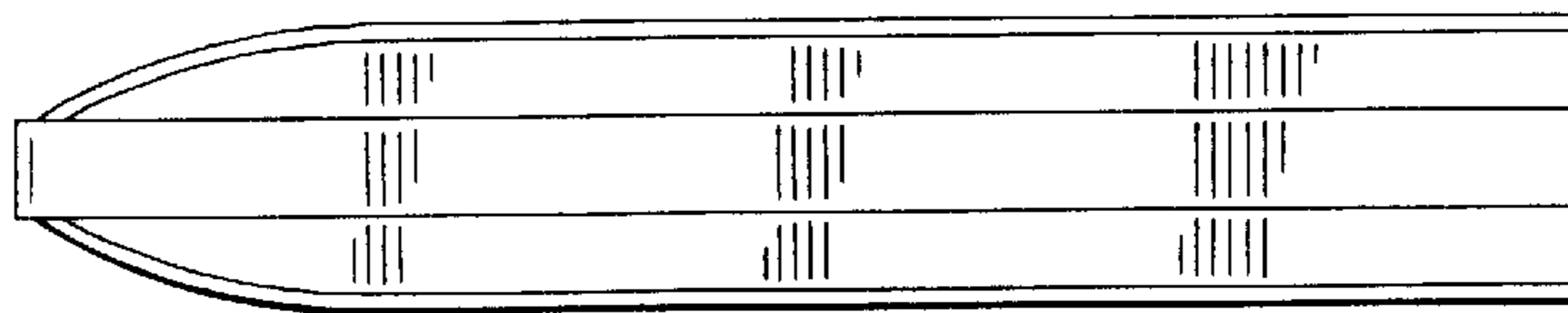


Fig.4

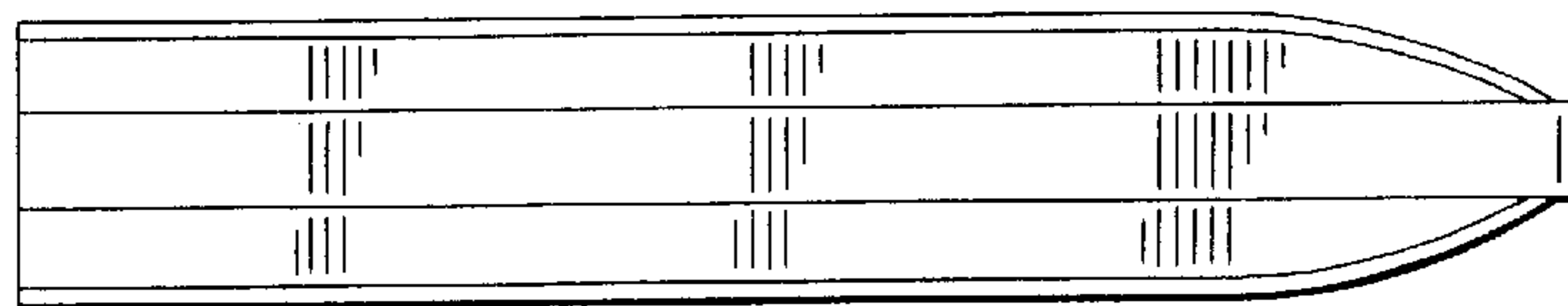


Fig.5

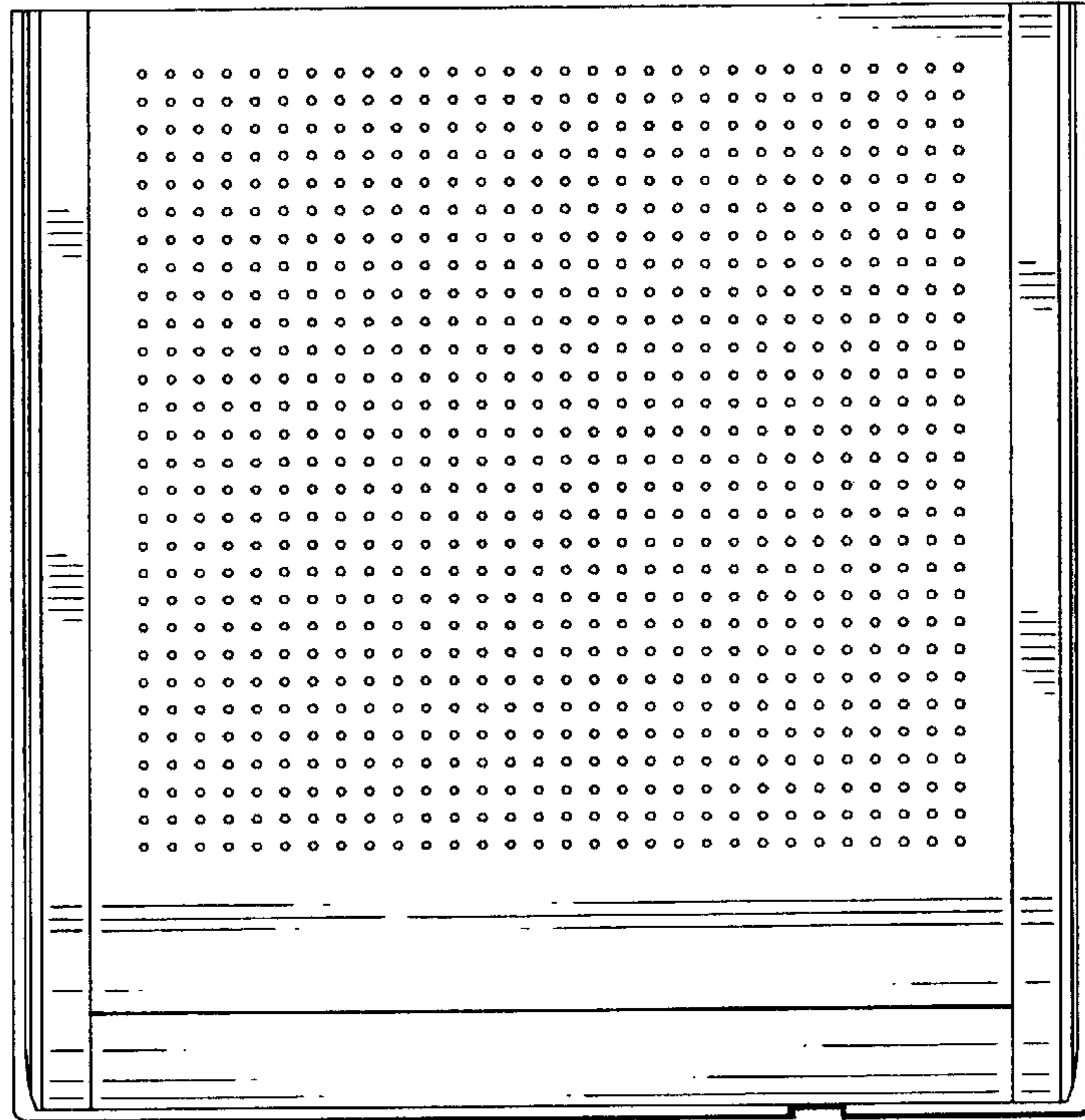


Fig. 6

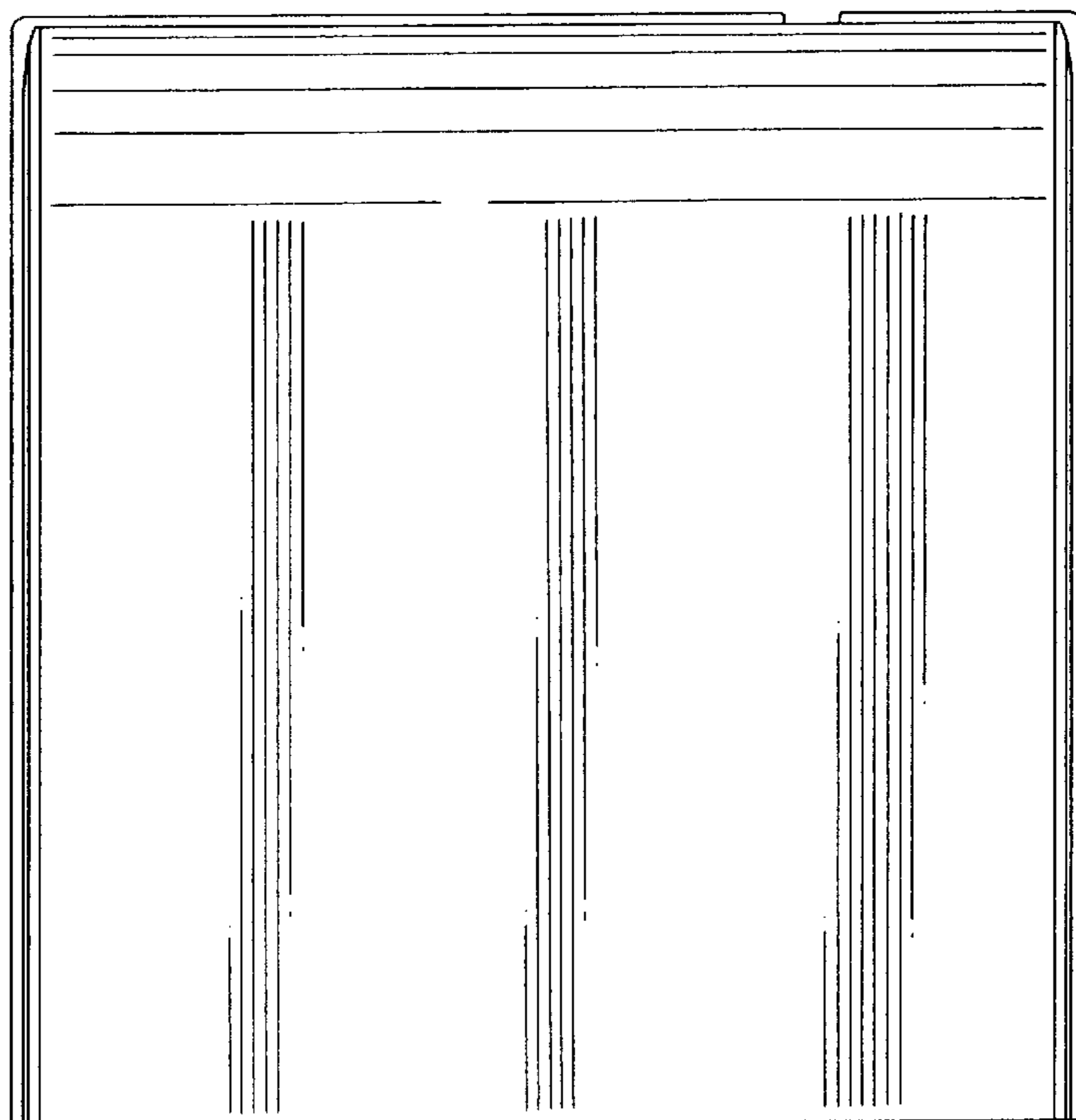


Fig. 7