



US00D486479S

(12) **United States Design Patent**
Chung

(10) **Patent No.:** **US D486,479 S**

(45) **Date of Patent:** **** Feb. 10, 2004**

(54) **NETWORK DEVICE**

(75) Inventor: **Ming-Tsai Chung**, Hsinchu (TW)

(73) Assignee: **D-Link Corporation**, Hsinchu (TW)

(**) Term: **14 Years**

(21) Appl. No.: **29/166,749**

(22) Filed: **Sep. 5, 2002**

(51) **LOC (7) Cl.** **14-03**

(52) **U.S. Cl.** **D14/240**

(58) **Field of Search** D14/240, 242,
D14/137, 356, 367; D13/184; 379/419,
428.01, 440, 441-442; 355/39; 455/575.1;
359/237, 618

(56) **References Cited**

U.S. PATENT DOCUMENTS

D308,864 S	*	6/1990	Takai	D14/242
D309,731 S	*	8/1990	Takai	D14/242
D354,752 S	*	1/1995	Johnson et al.	D14/240
D383,139 S	*	9/1997	Hill et al.	D14/242
D428,006 S	*	7/2000	Sagues et al.	D14/356
D458,924 S	*	6/2002	Tsuyuki et al.	D14/356

D474,772 S	*	5/2003	Deguchi et al.	D14/240
D476,977 S	*	7/2003	Gao et al.	D14/240

FOREIGN PATENT DOCUMENTS

GB	1047328	*	8/1981
WO	DM/048228	*	6/1999

* cited by examiner

Primary Examiner—Charles A. Rademaker

(74) *Attorney, Agent, or Firm*—Bacon & Thomas, PLLC

(57) **CLAIM**

The ornamental design for network device, as shown and described.

DESCRIPTION

FIG. 1 is a perspective view of newtwork device showing my new design.

FIG. 2 is a front elevational view thereof;

FIG. 3 is a rear elevational view thereof;

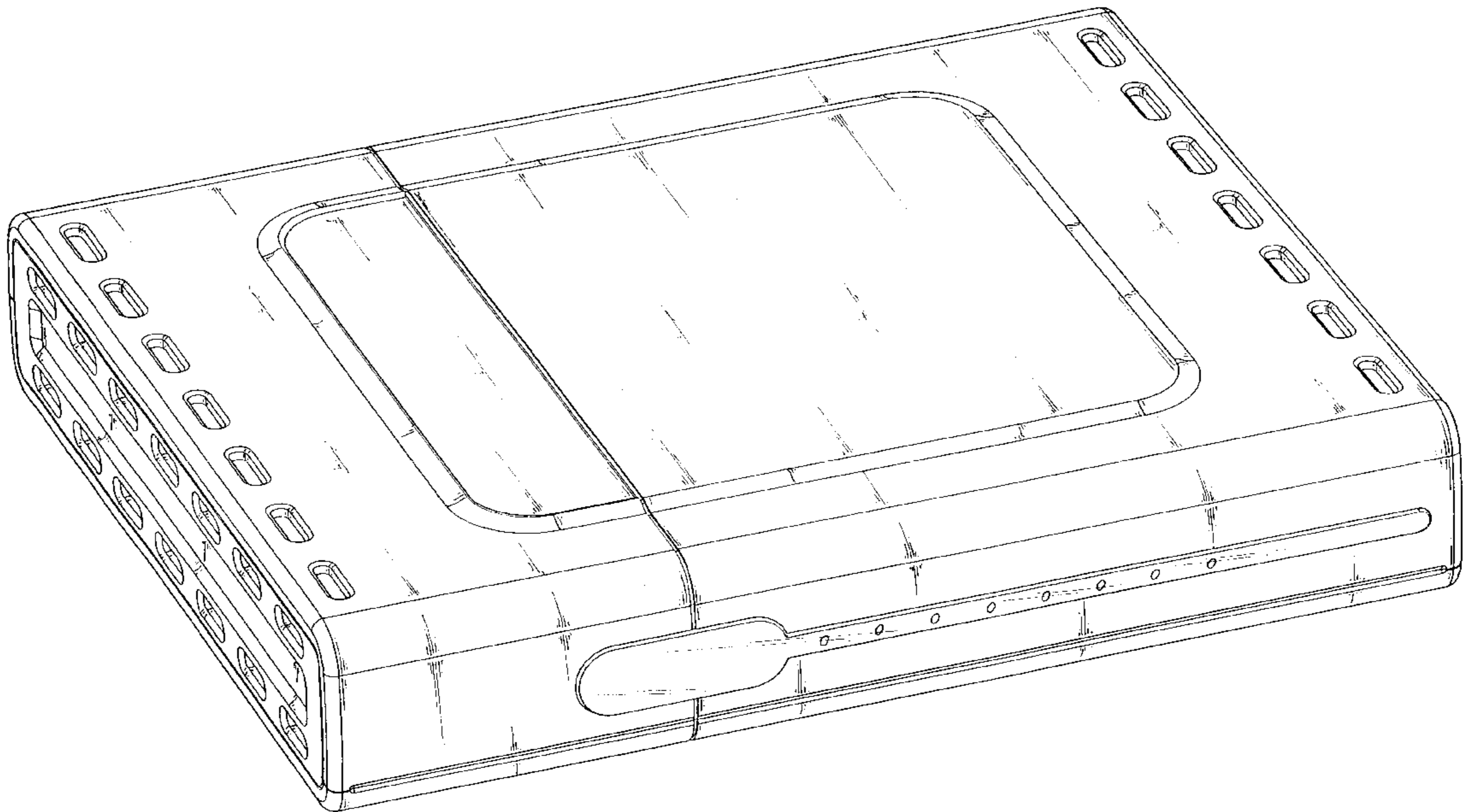
FIG. 4 is a left side elevational view thereof;

FIG. 5 is a right side elevational view thereof;

FIG. 6 is a top plan view thereof; and,

FIG. 7 is a bottom plan view thereof.

1 Claim, 5 Drawing Sheets



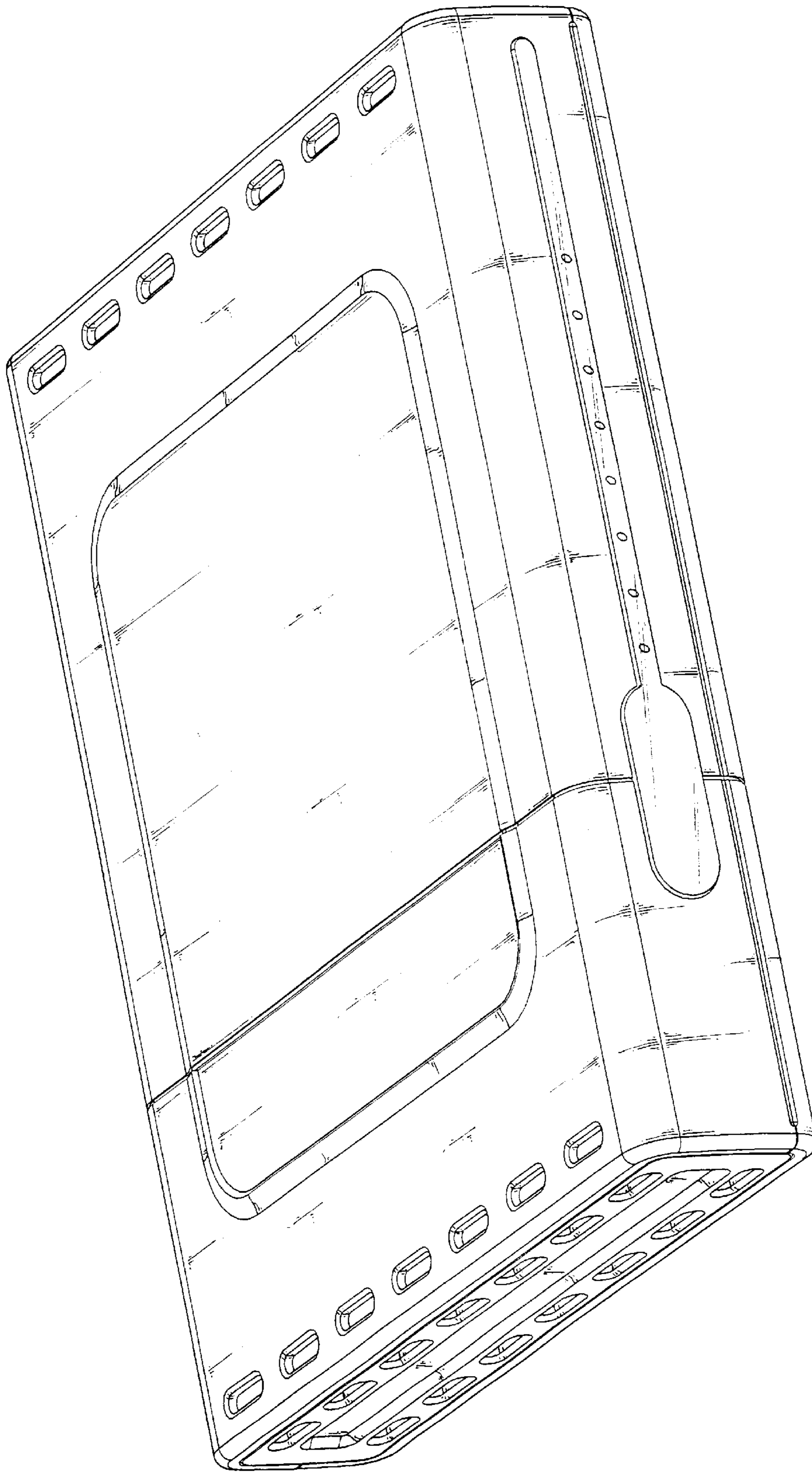


FIG. 1

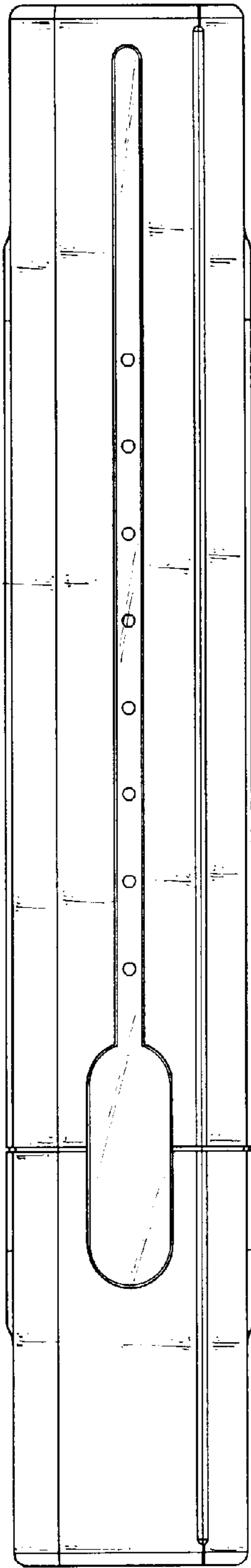


FIG. 2

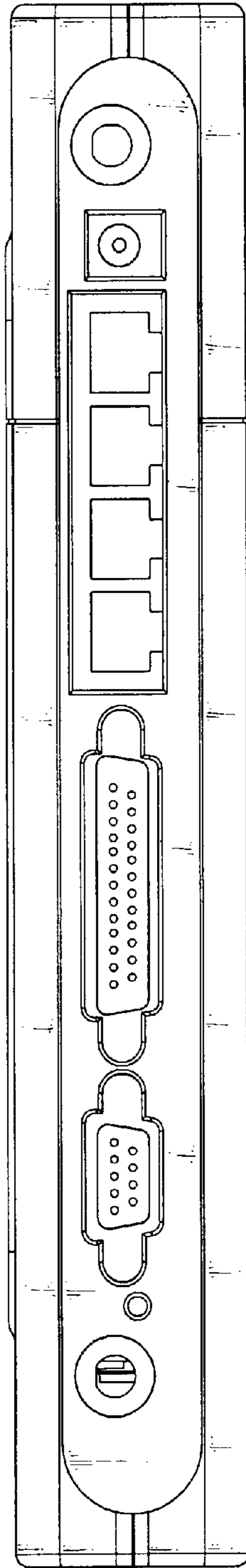


FIG. 3

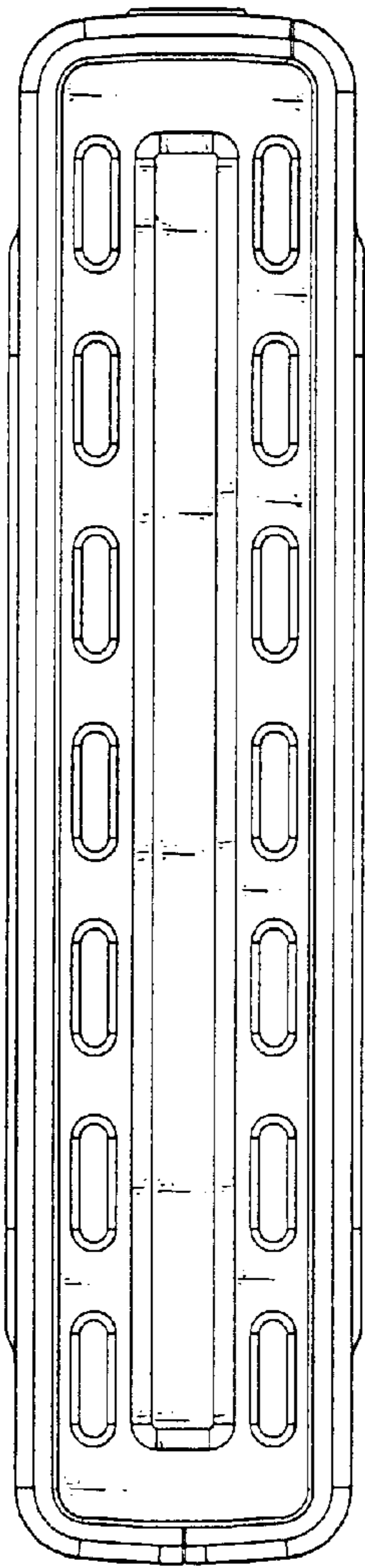


FIG. 4

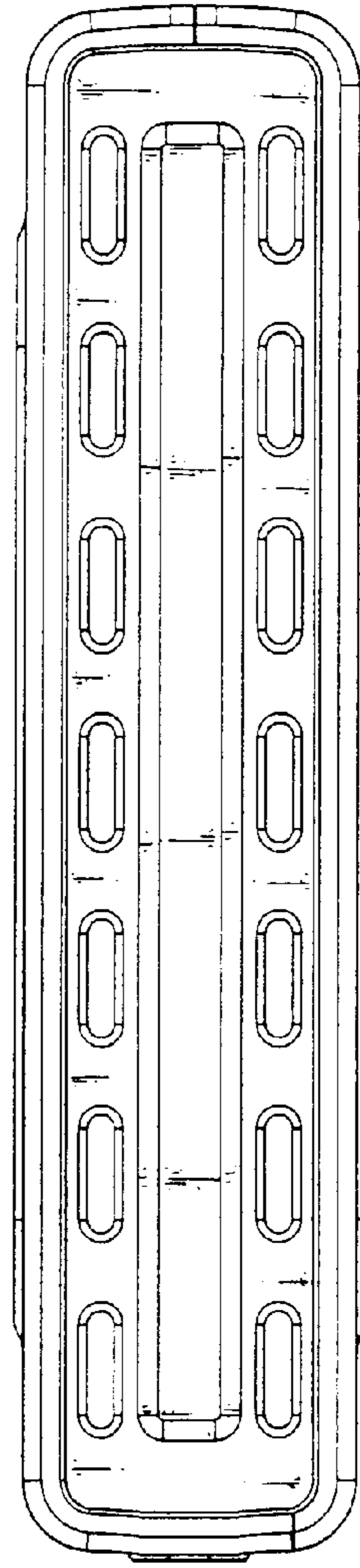


FIG. 5

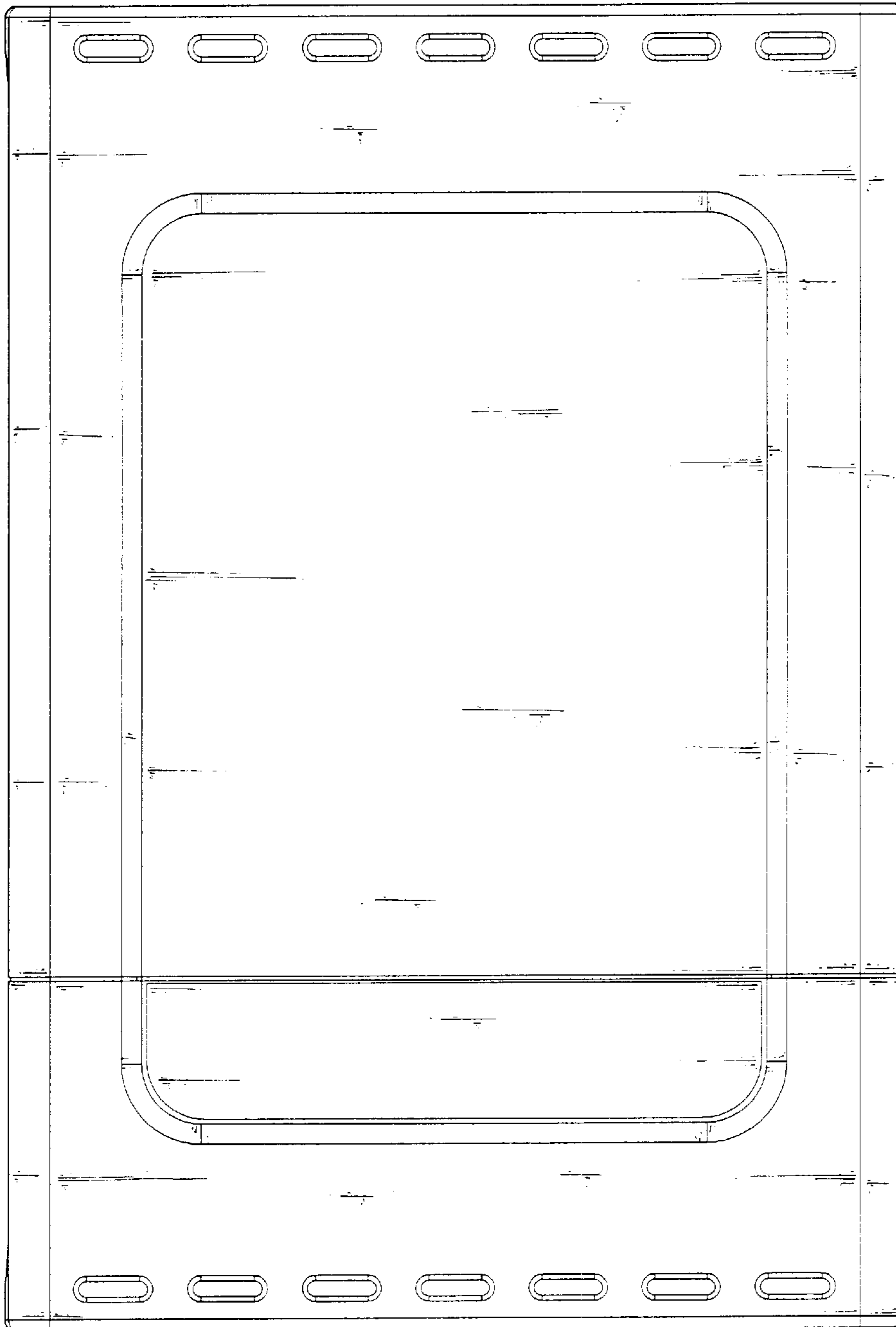


FIG. 6

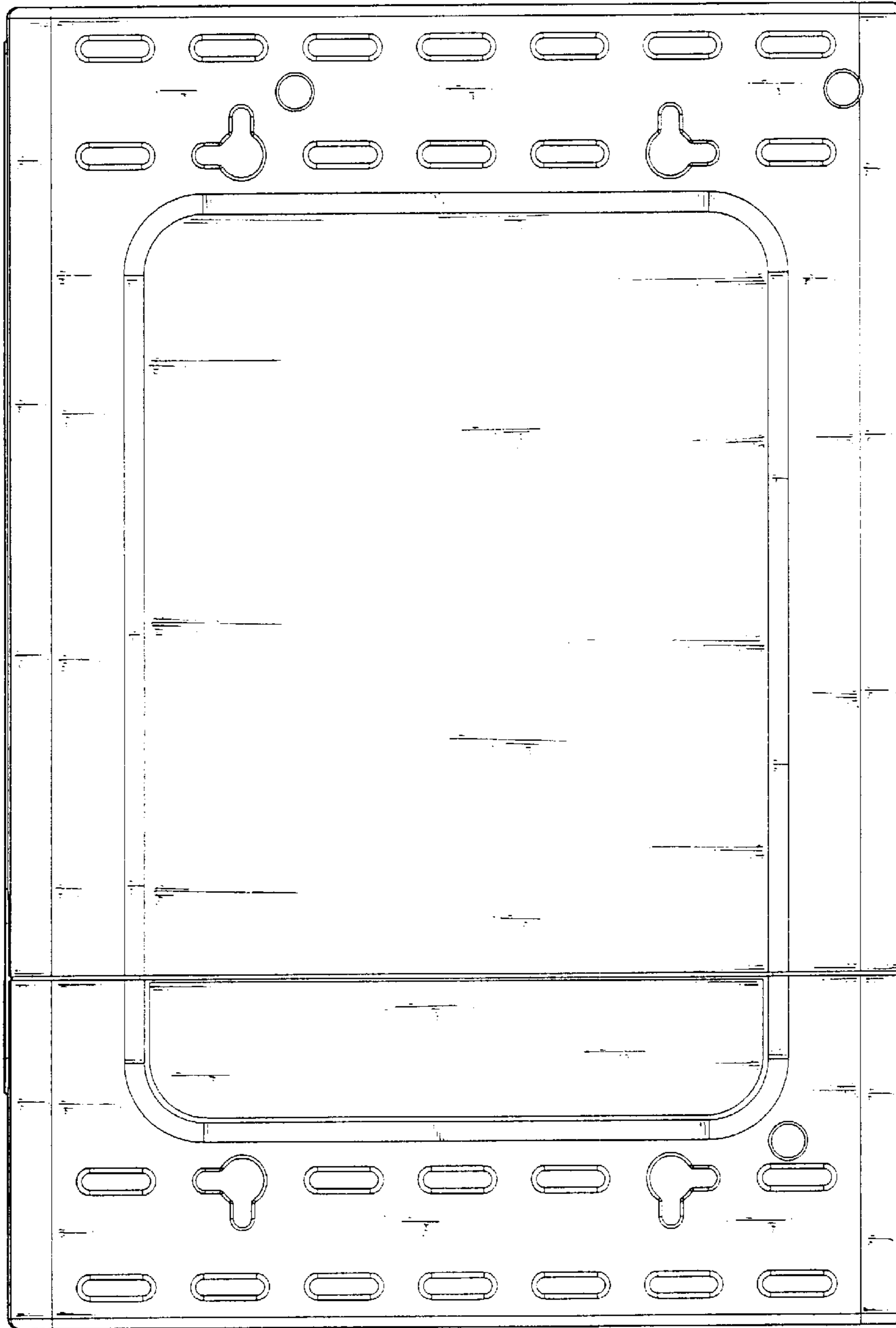


FIG. 7