



US00D486475S

(12) **United States Design Patent**  
**Allen**

(10) **Patent No.:** **US D486,475 S**

(45) **Date of Patent:** **\*\* Feb. 10, 2004**

(54) **LOUDSPEAKER**

(75) Inventor: **Graham David Allen**, Alderley Edge  
(GB)

(73) Assignee: **KH Technology Corporation**, Grand  
Cayman (KY)

(\*\*) Term: **14 Years**

(21) Appl. No.: **29/177,377**

(22) Filed: **Mar. 6, 2003**

(30) **Foreign Application Priority Data**

Oct. 1, 2002 (GB) ..... 3007391

(51) **LOC (7) Cl.** ..... **14-01**

(52) **U.S. Cl.** ..... **D14/215; D14/214**

(58) **Field of Search** ..... D14/204, 207,  
D14/209-216, 356; 181/143-145, 147-148,  
150, 153, 157, 198-199; 381/300-302,  
306, 333, 345, 361-364, 386-388

(56) **References Cited**

**U.S. PATENT DOCUMENTS**

D277,752 S \* 2/1985 Nakamura ..... D14/214

D281,158 S \* 10/1985 Ishizaki ..... D14/214  
5,546,468 A \* 8/1996 Beard ..... 381/300  
D421,609 S \* 3/2000 Warren ..... D14/214

\* cited by examiner

*Primary Examiner*—Nanda Bondade

(74) *Attorney, Agent, or Firm*—Kenneth L. Sherman, Esq.;  
Myers Dawes Andras & Sherman, LLP

(57) **CLAIM**

The ornamental design for a loudspeaker, substantially as  
shown and described.

**DESCRIPTION**

FIG. 1 is a front view of a loudspeaker showing my new  
design;

FIG. 2 is a rear view thereof;

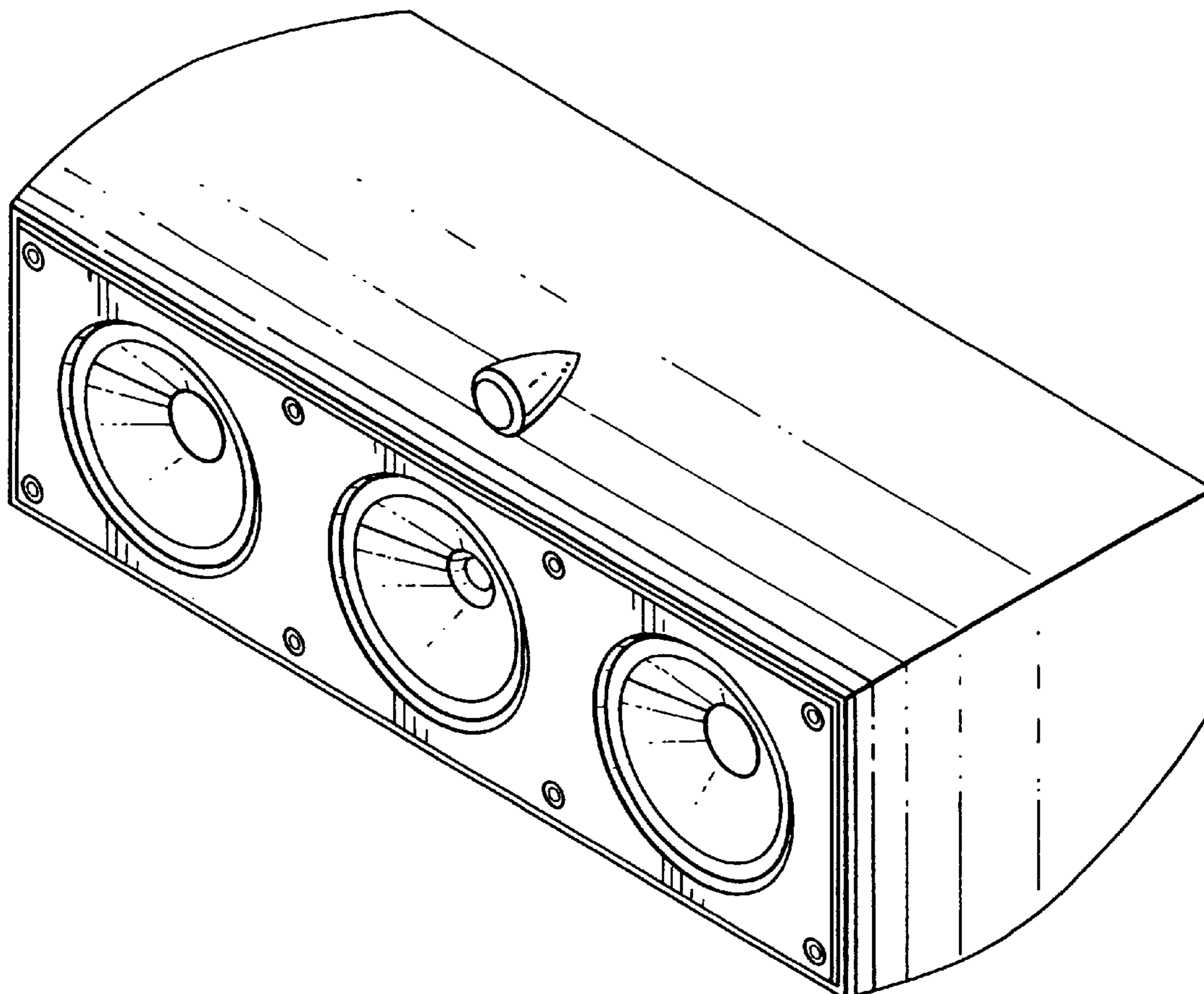
FIG. 3 is a top view thereof;

FIG. 4 is a bottom view thereof;

FIG. 5 is a left side view thereof; and,

FIG. 6 is a perspective view thereof.

**1 Claim, 3 Drawing Sheets**



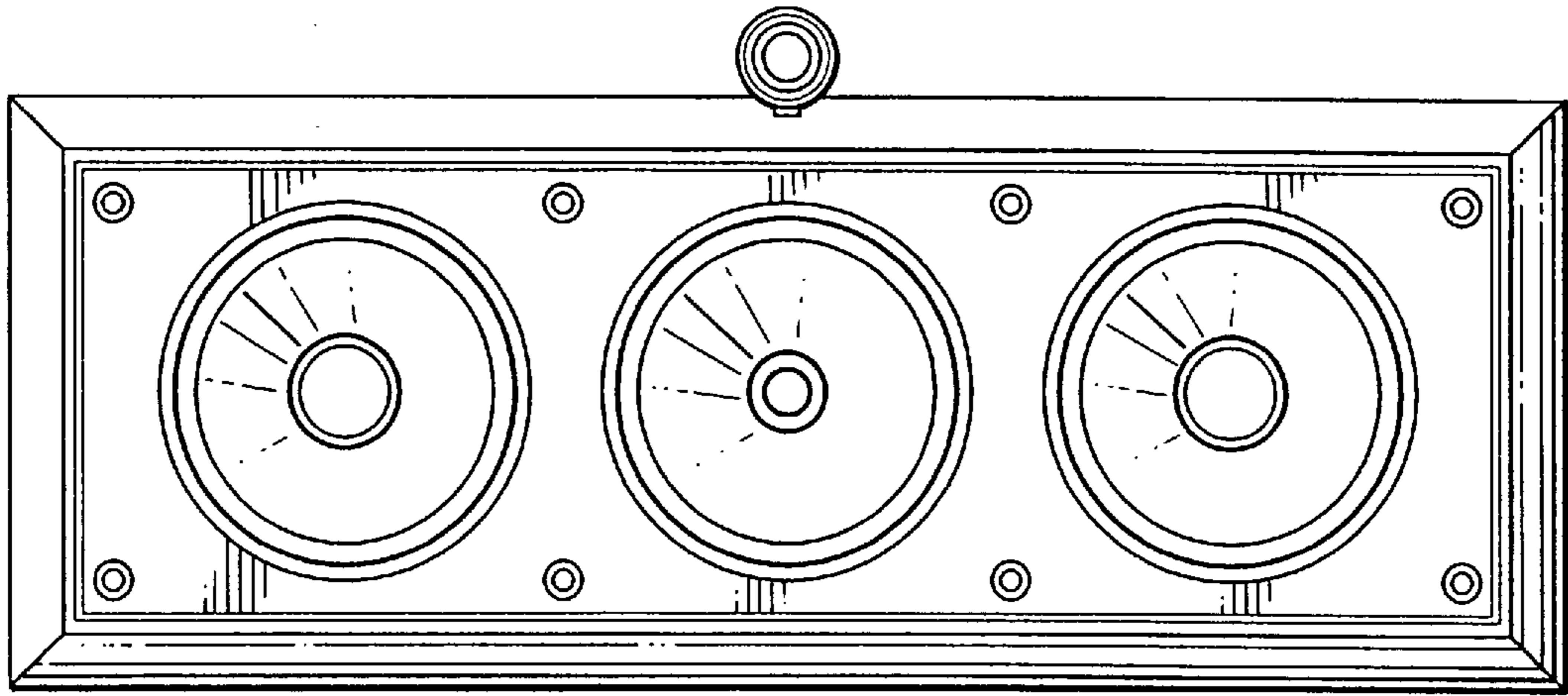


FIG. 1

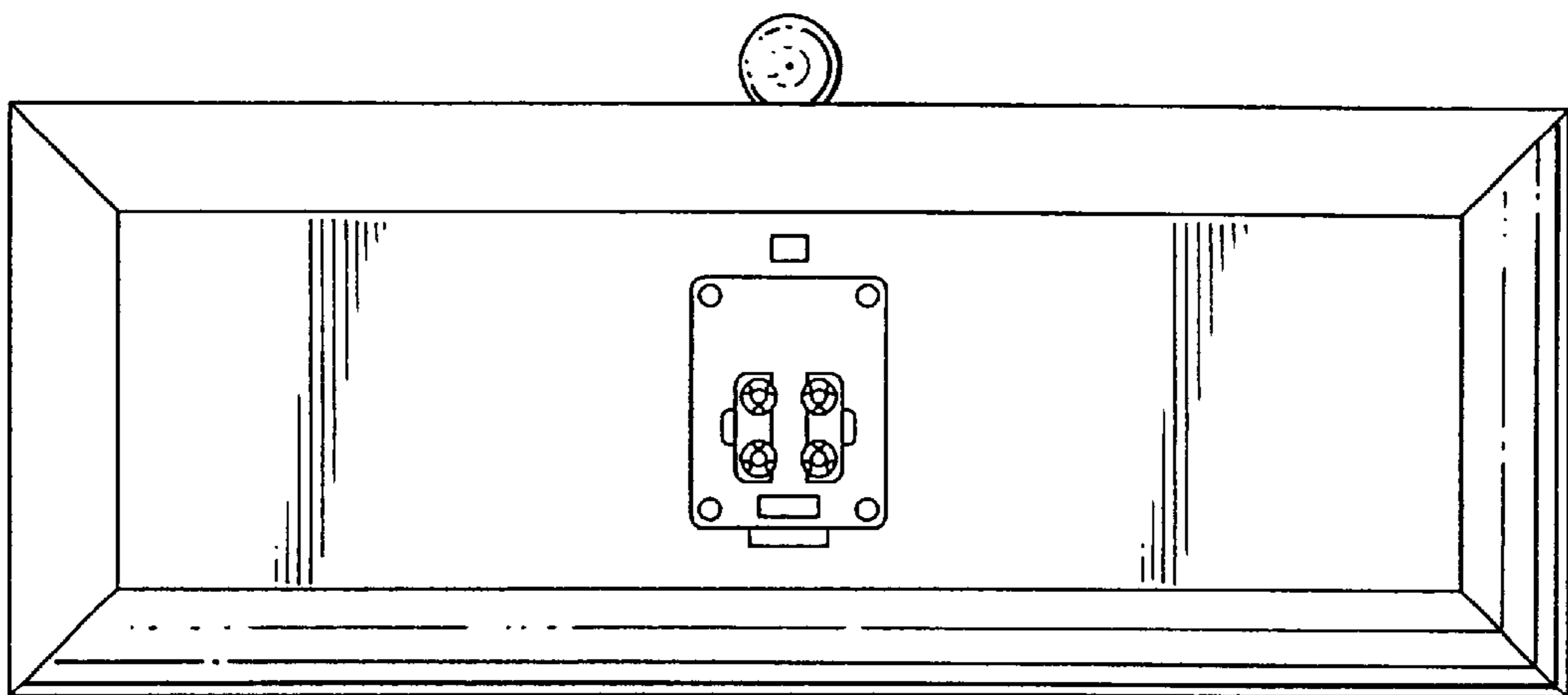


FIG. 2

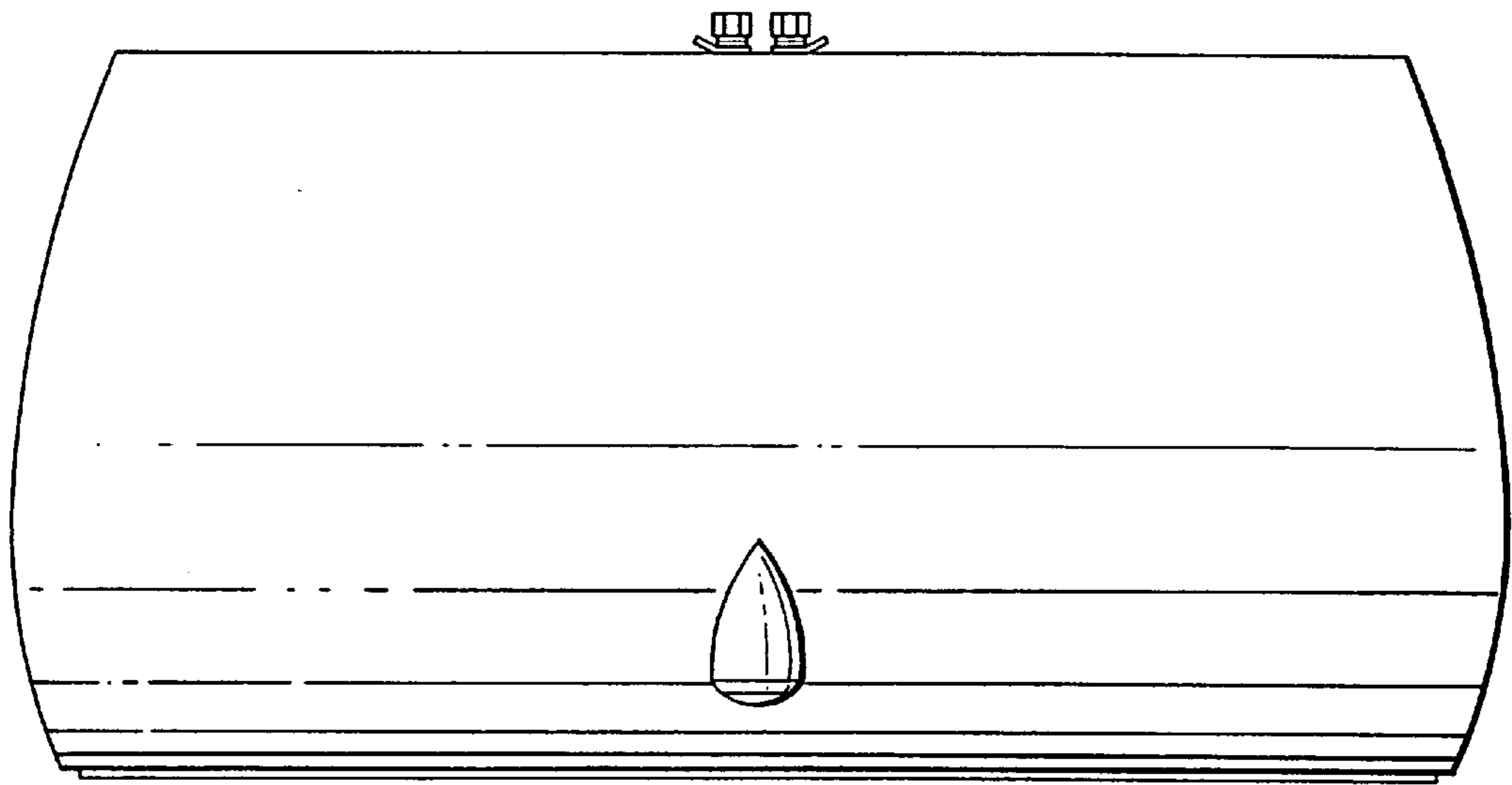


FIG. 3

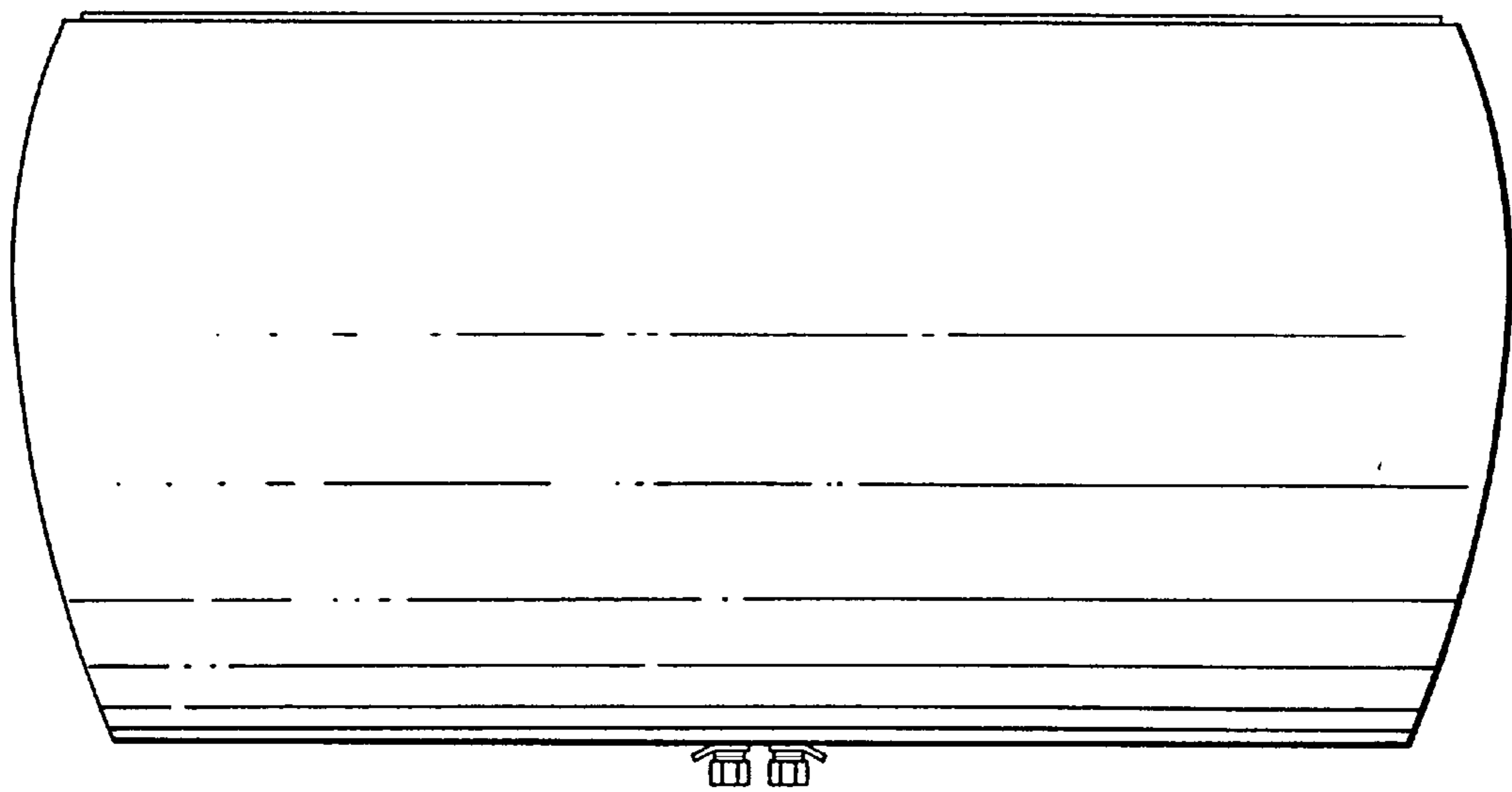


FIG. 4

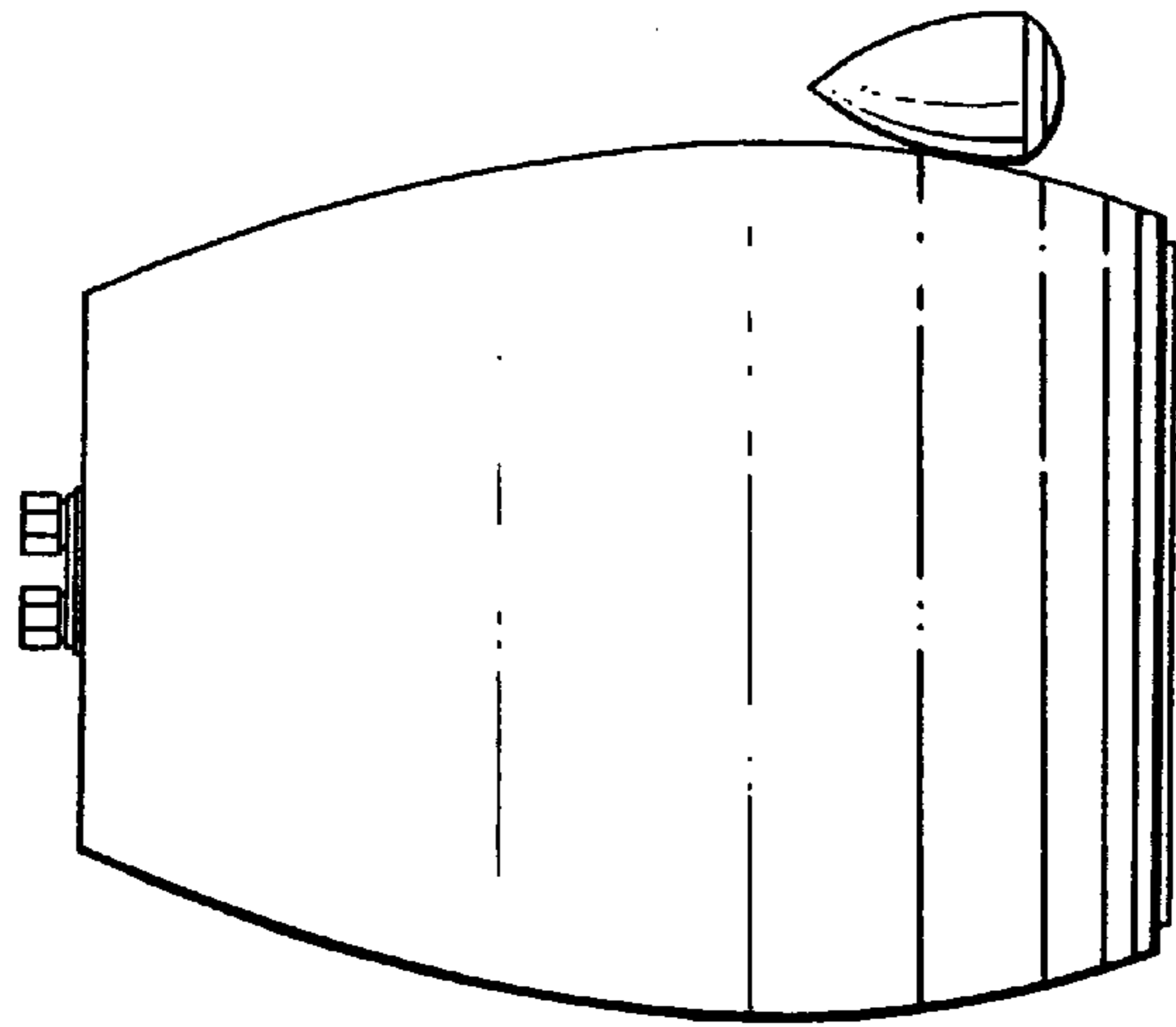


FIG. 5

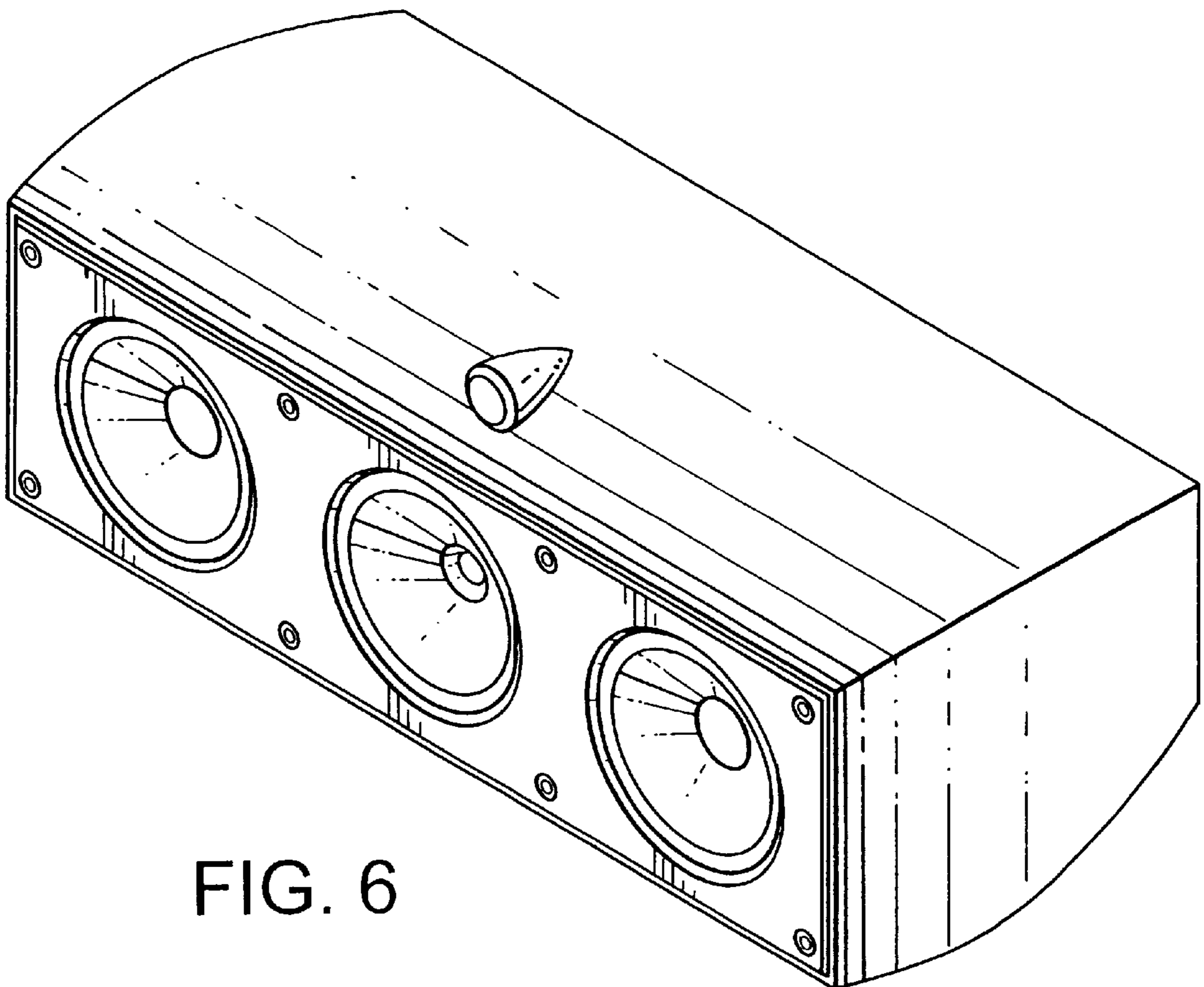


FIG. 6