



US00D486473S

(12) **United States Design Patent**
Allen

(10) **Patent No.:** **US D486,473 S**

(45) **Date of Patent:** **** Feb. 10, 2004**

(54) **LOUDSPEAKER**

(75) **Inventor:** **Graham David Allen**, Cheshire (GB)

(73) **Assignee:** **KH Technology Corporation**, Grand Cayman (KY)

(**) **Term:** **14 Years**

(21) **Appl. No.:** **29/176,085**

(22) **Filed:** **Feb. 14, 2003**

(30) **Foreign Application Priority Data**

Aug. 14, 2002 (GB) 3006220

(51) **LOC (7) Cl.** **14-01**

(52) **U.S. Cl.** **D14/215**; D14/214

(58) **Field of Search** D14/204, 207,
D14/209-216, 356; 181/143-145, 147-148,
150, 153, 157, 198-199; 381/300-302,
306, 333, 345, 361-364, 386-388

(56) **References Cited**

U.S. PATENT DOCUMENTS

D281,158 S * 10/1985 Ishizaki D14/214

D317,007 S * 5/1991 Shintani D14/214
5,546,468 A * 8/1996 Beard 381/300
D461,792 S * 8/2002 Silverstein et al. D14/214
D469,754 S * 2/2003 Lewis D14/215

* cited by examiner

Primary Examiner—Nanda Bondade

(74) *Attorney, Agent, or Firm*—Kenneth L. Sherman, Esq.;
Myers Dawes Andras & Sherman

(57) **CLAIM**

The ornamental design for a loudspeaker, substantially as shown and described.

DESCRIPTION

FIG. 1 is a front view of a loudspeaker showing my new design;
FIG. 2 is a rear view thereof;
FIG. 3 is a top view thereof;
FIG. 4 is a bottom view thereof;
FIG. 5 is a left side view thereof;
FIG. 6 is a right side view thereof; and,
FIG. 7 is a perspective view thereof.

1 Claim, 2 Drawing Sheets

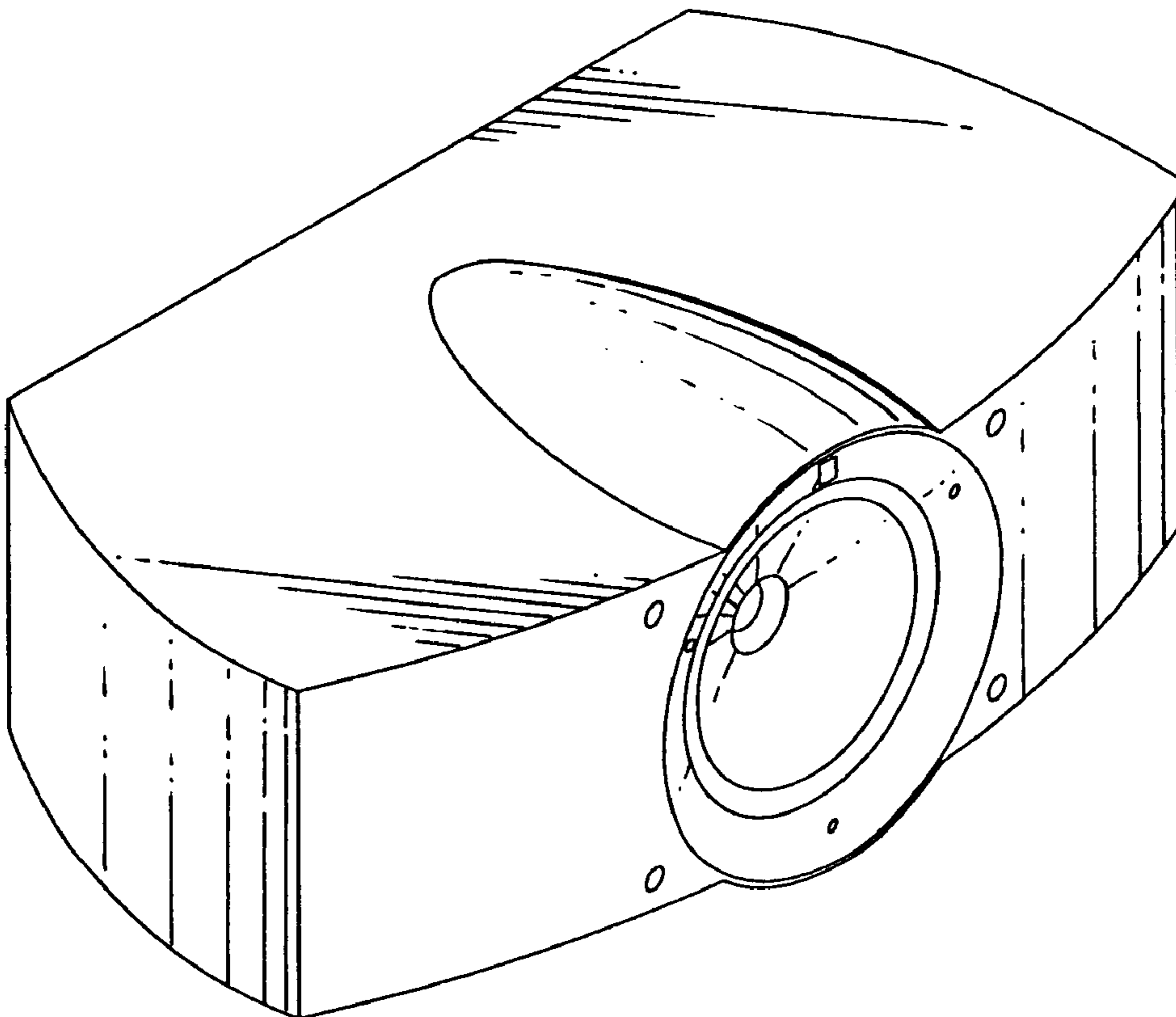


FIG. 1

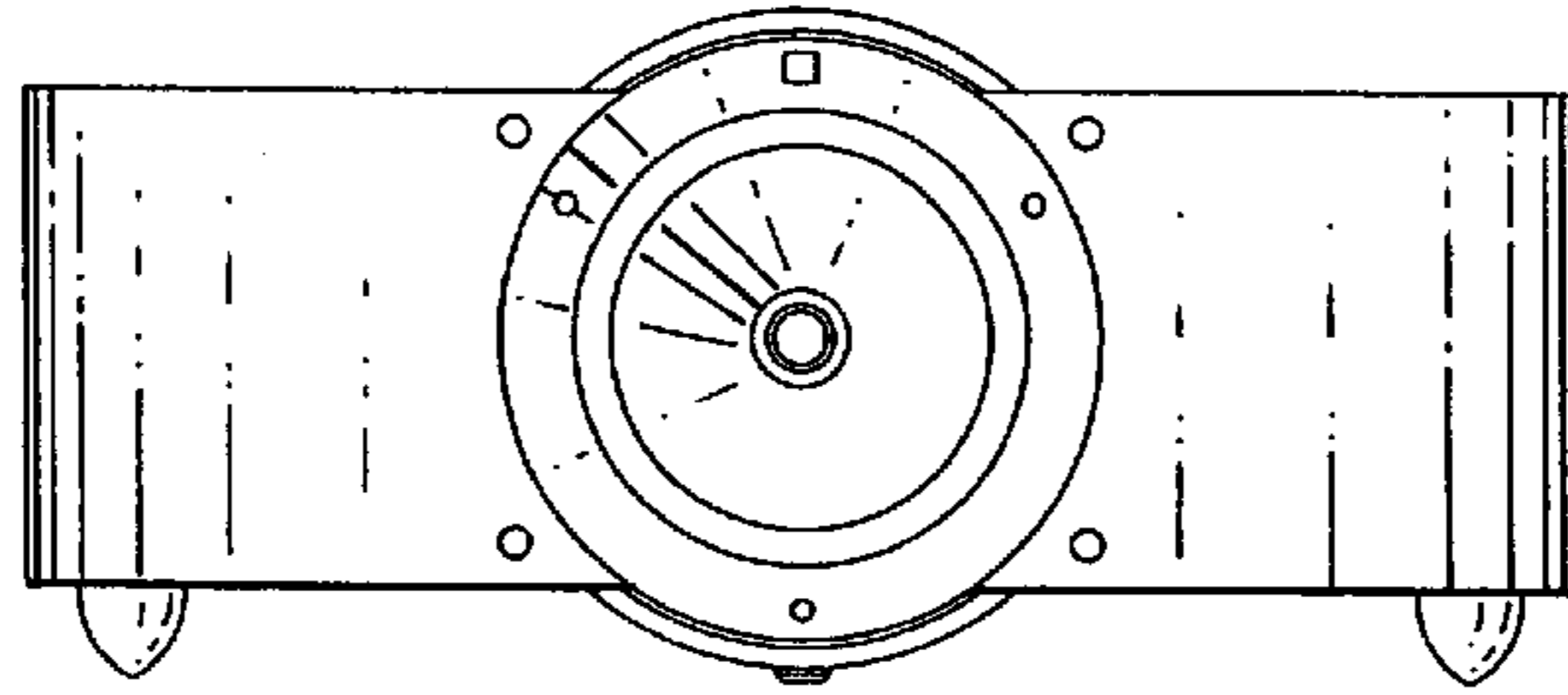


FIG. 2

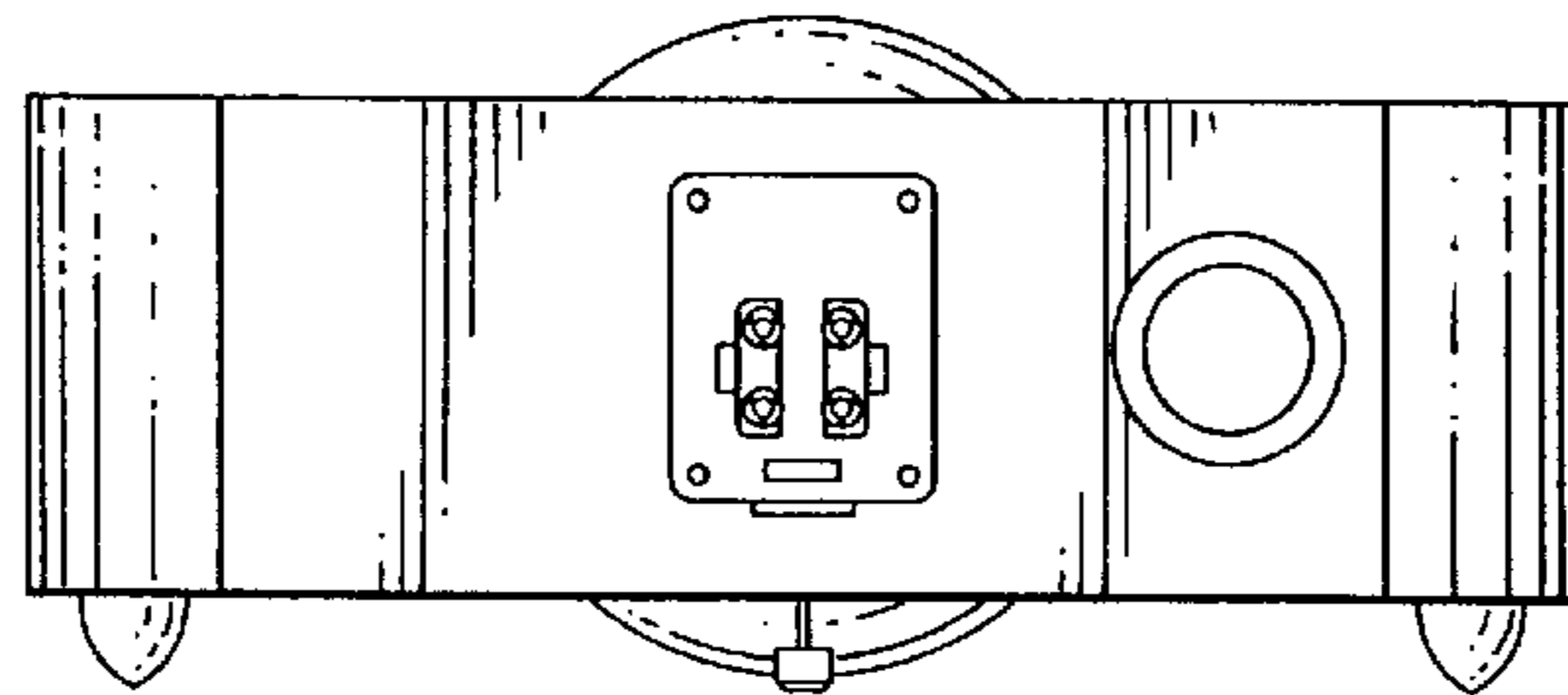


FIG. 3

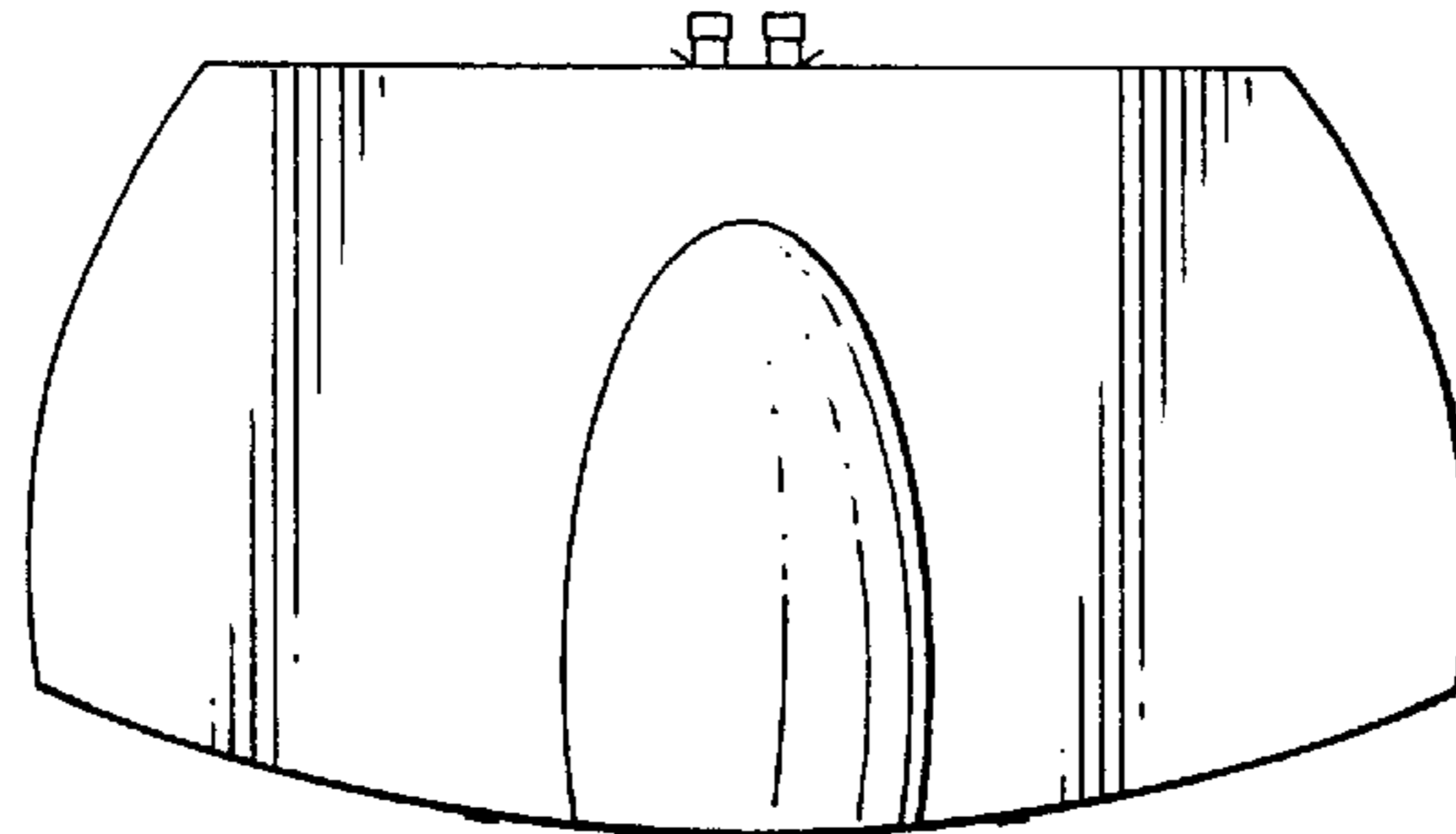


FIG. 4

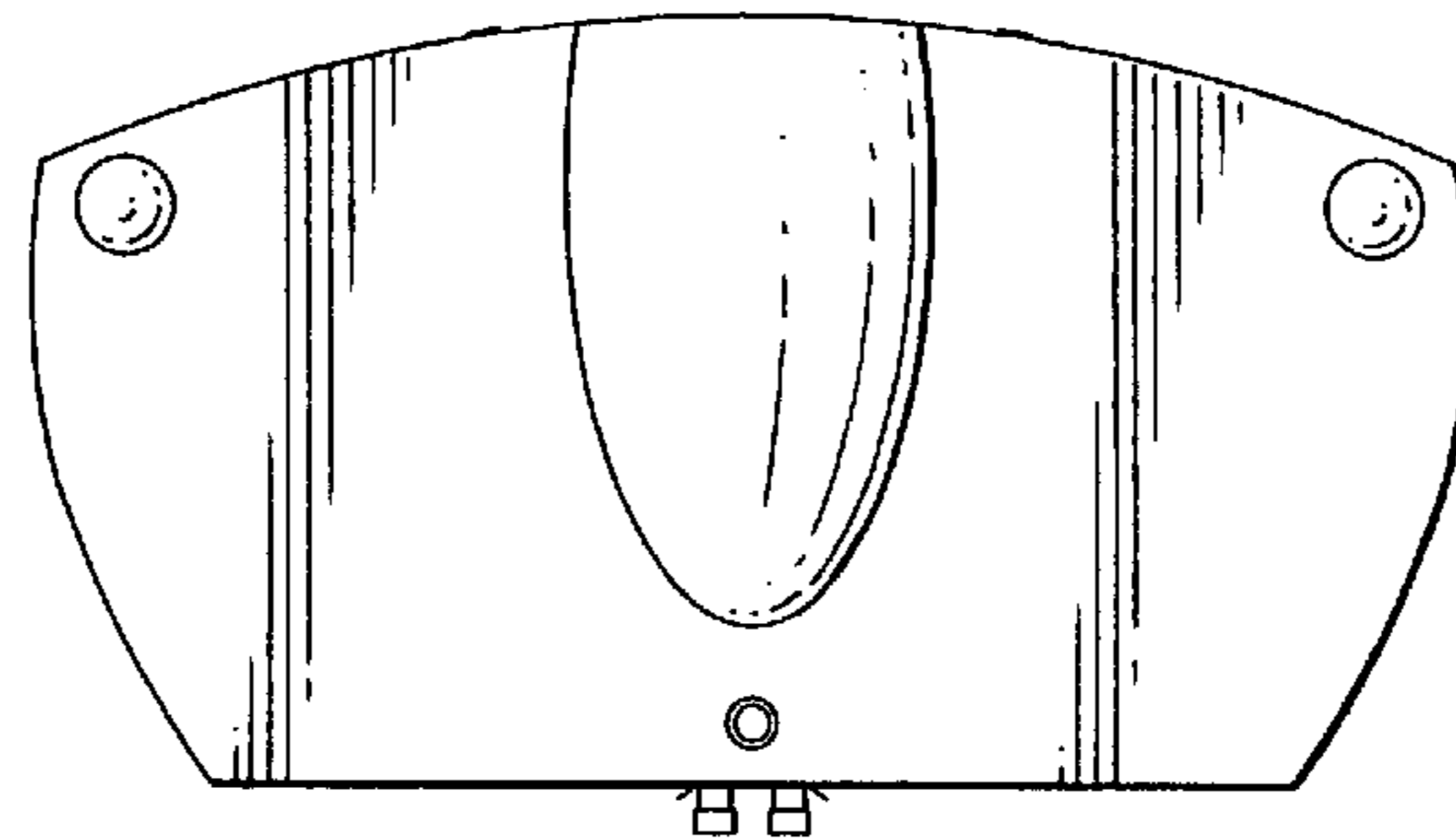


FIG. 5

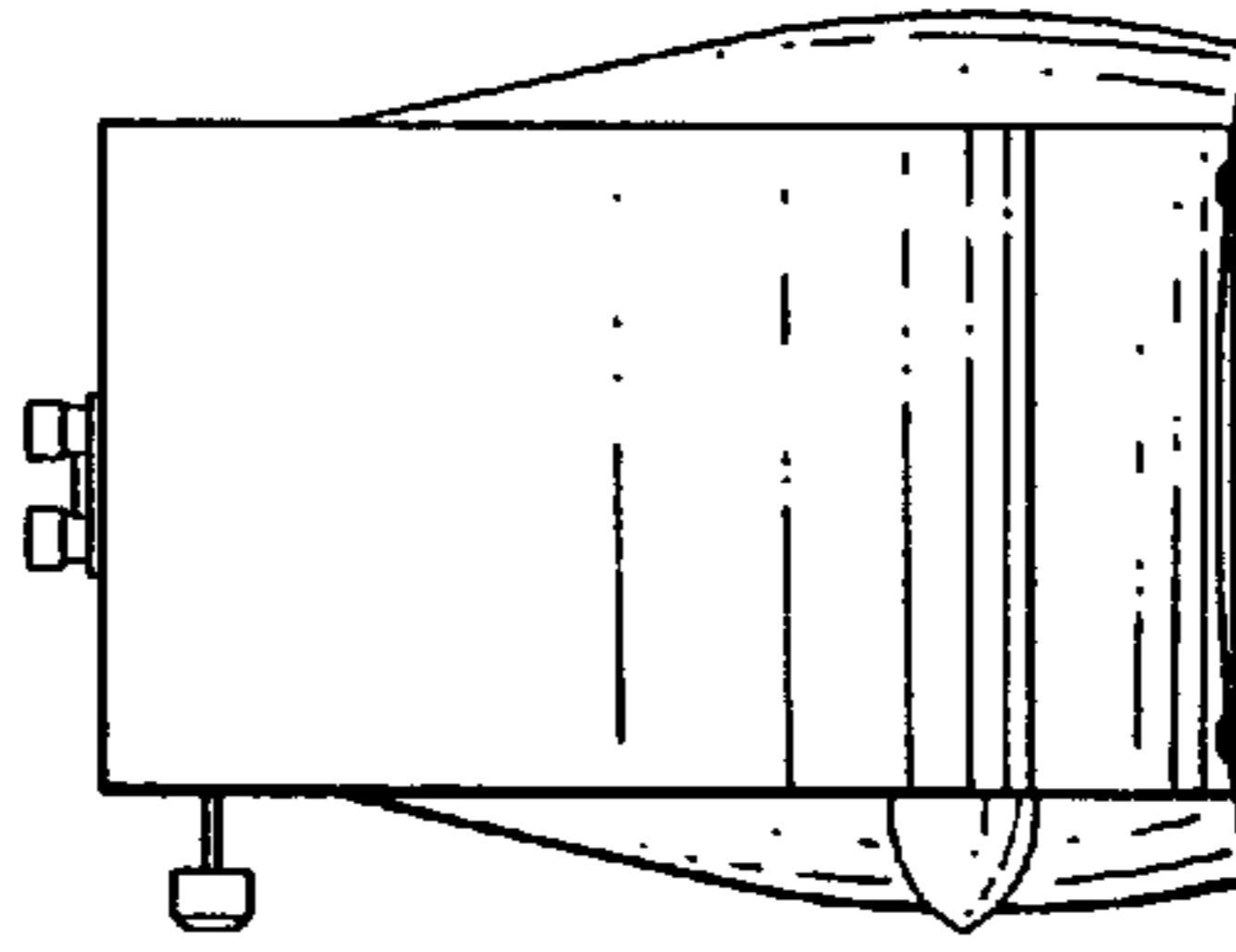


FIG. 6

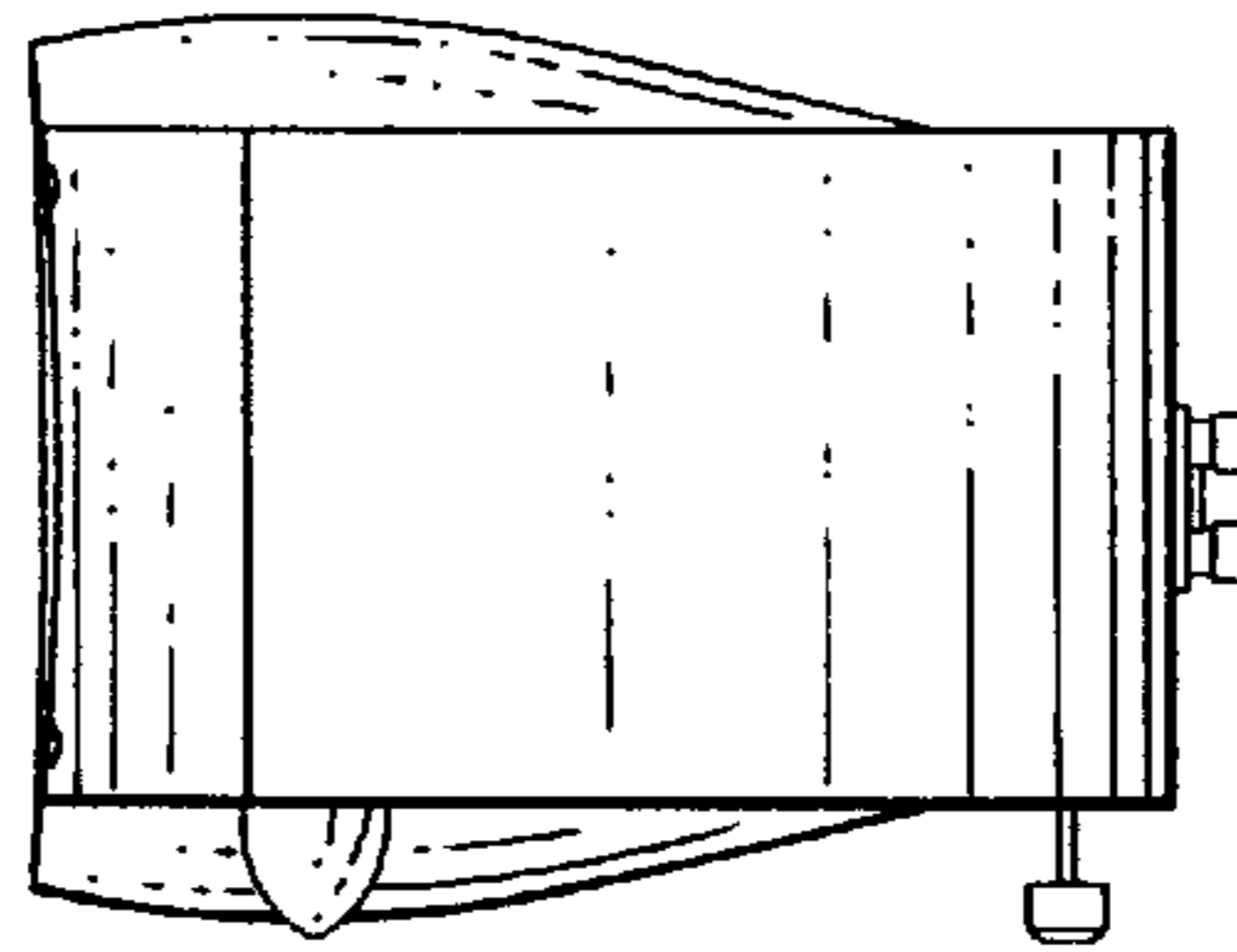


FIG. 7

