



US00D486469S

(12) **United States Design Patent**
Morita

(10) **Patent No.:** **US D486,469 S**

(45) **Date of Patent:** **** Feb. 10, 2004**

(54) **COMBINED DIGITAL CAMERA AND
RECORDER/PLAYER FOR RECORDING
MEDIA**

Web page “Stylish Digital Camera sora,” <http://www.toshiba.co.jp/mobileav/camera/sora/t20/spec.htm>, 3 sheets, Toshiba Corporation (Dec. 2002).

(75) Inventor: **Ayako Morita**, Tokyo (JP)

* cited by examiner

(73) Assignee: **Sony Corporation**, Tokyo (JP)

Primary Examiner—Nanda Bondade
(74) *Attorney, Agent, or Firm*—Rader, Fishman & Grauer PLLC

(**) Term: **14 Years**

(21) Appl. No.: **29/178,193**

(57) **CLAIM**

(22) Filed: **Mar. 24, 2003**

The ornamental design for a combined digital camera and recorder/player for recording media, as shown.

(51) **LOC (7) Cl.** **14-01**

(52) **U.S. Cl.** **D14/168; D14/167; D16/208**

(58) **Field of Search** D14/160–165,
D14/167–168, 188, 496; D16/202, 208;
455/344, 350, 351

DESCRIPTION

(56) **References Cited**

U.S. PATENT DOCUMENTS

D426,223 S	*	6/2000	Nomura	D14/167
D445,776 S	*	7/2001	Ishii et al.	D14/167
D464,365 S	*	10/2002	Su	D16/202

OTHER PUBLICATIONS

Web page “DSC-U20 U10 TOP,” <http://www.sony.jp/rodets/Consumer/DSC/DSC-U10/>, 1 sheet, Sony (Dec. 2002).

FIG. 1 is a perspective view of a combined digital camera and recorder/player for recording media showing my new design;

FIG. 2 is a front elevational view thereof;

FIG. 3 is a rear elevational view thereof;

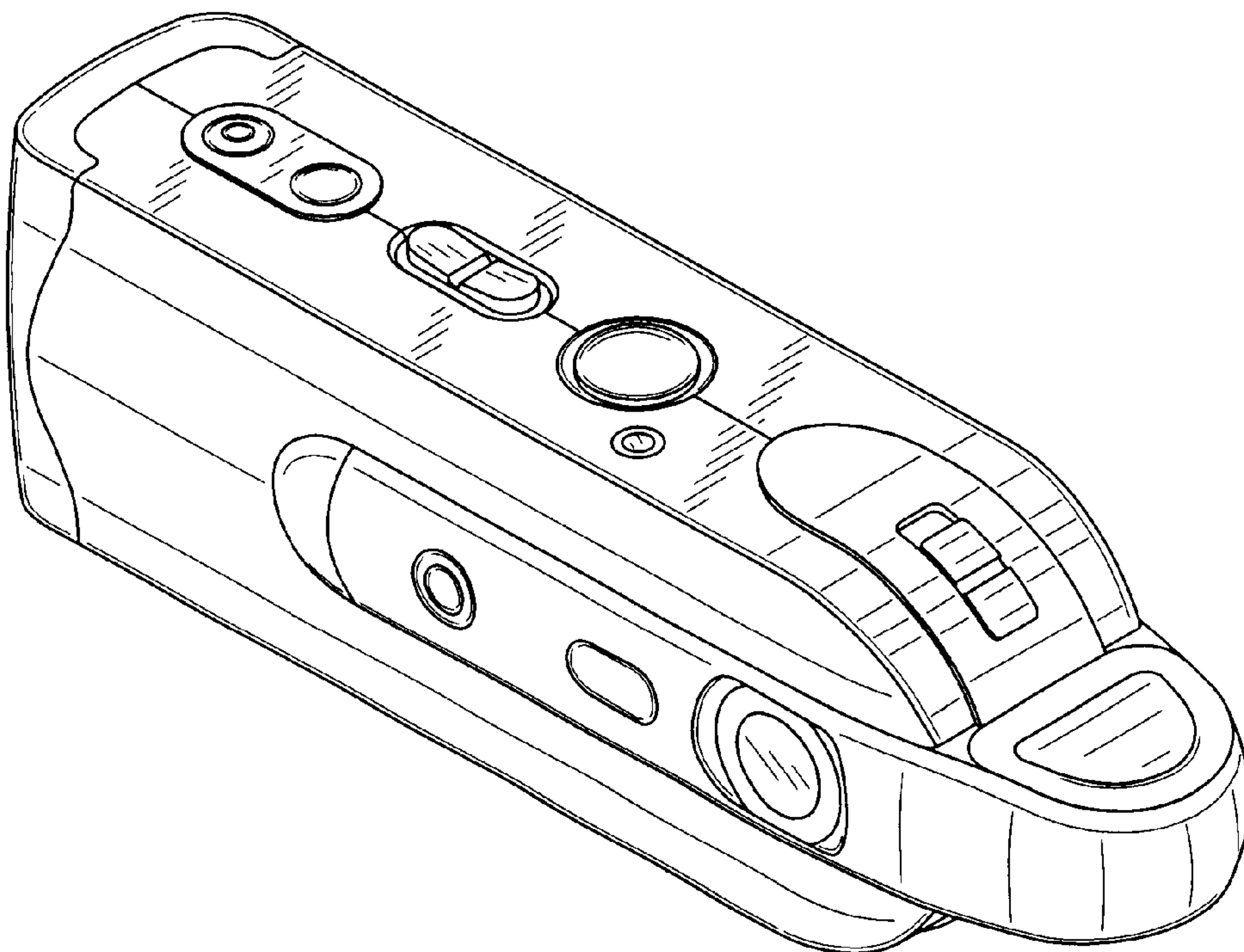
FIG. 4 is a left side elevational view thereof;

FIG. 5 is a right side elevational view thereof;

FIG. 6 is a top plan view thereof; and,

FIG. 7 is a bottom plan view thereof.

1 Claim, 4 Drawing Sheets



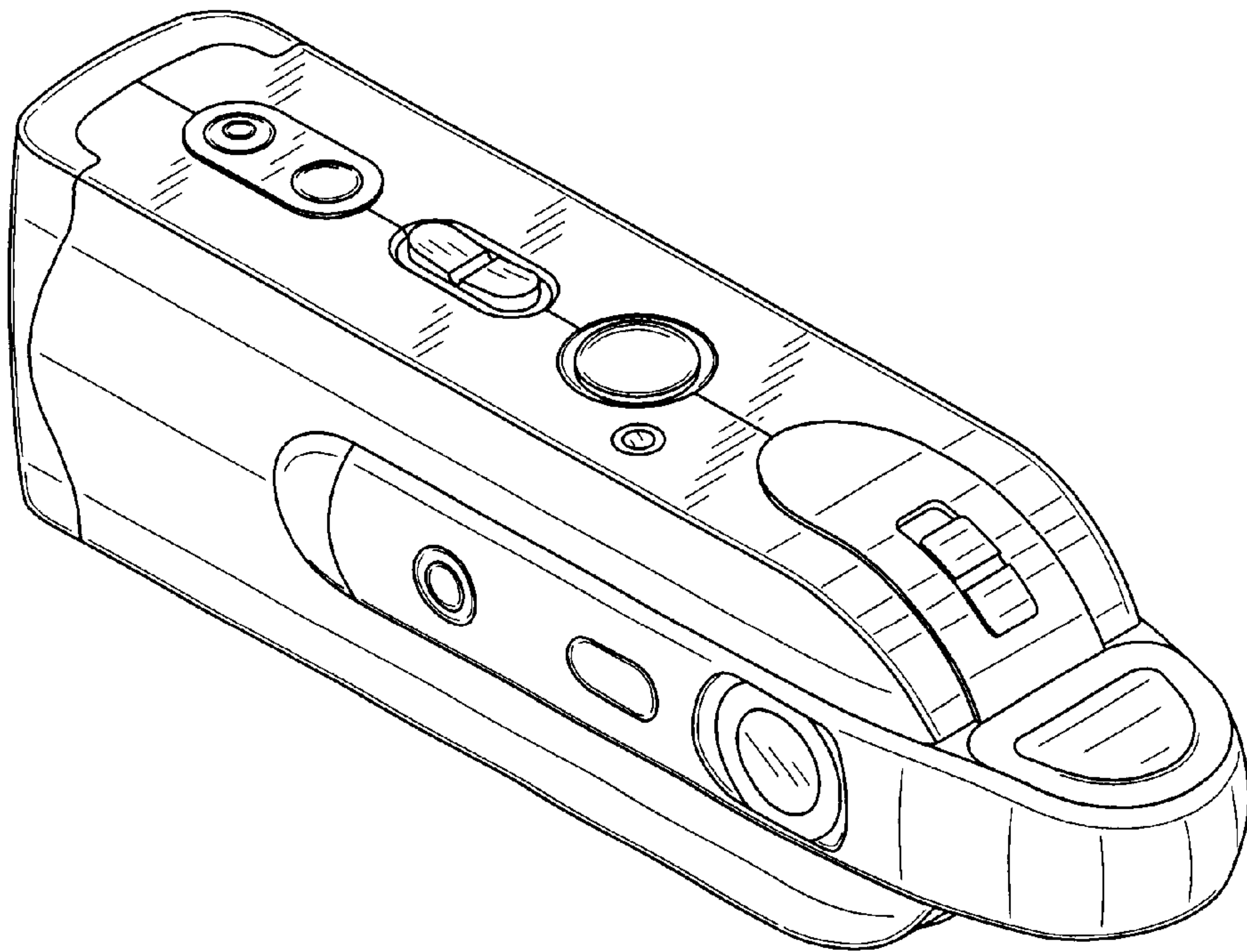


FIG. 1

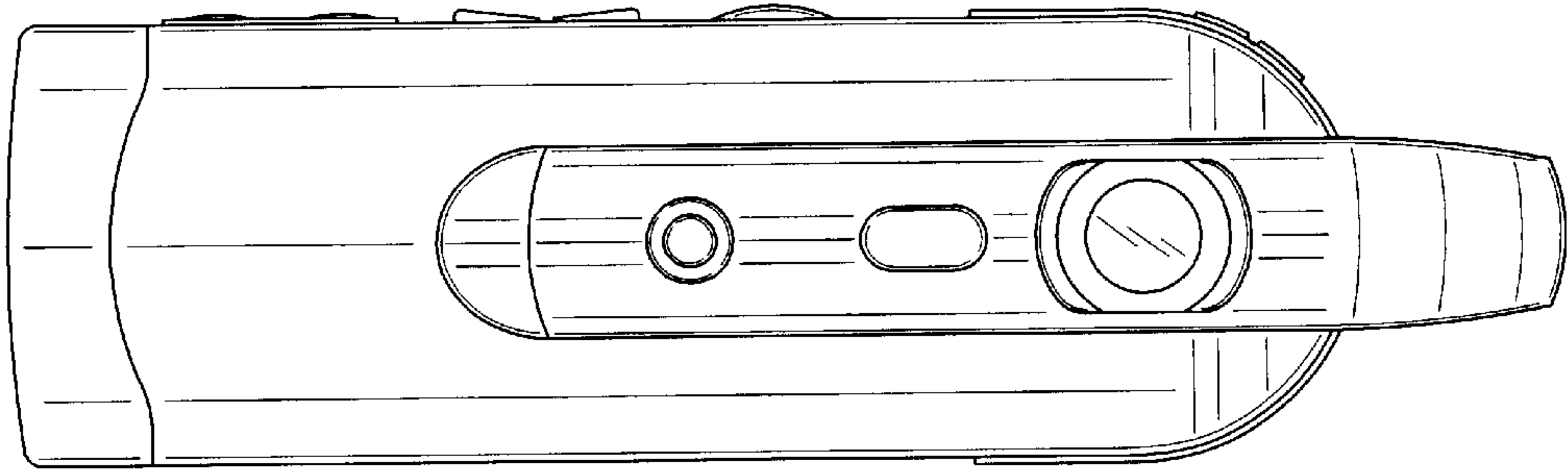


FIG. 2

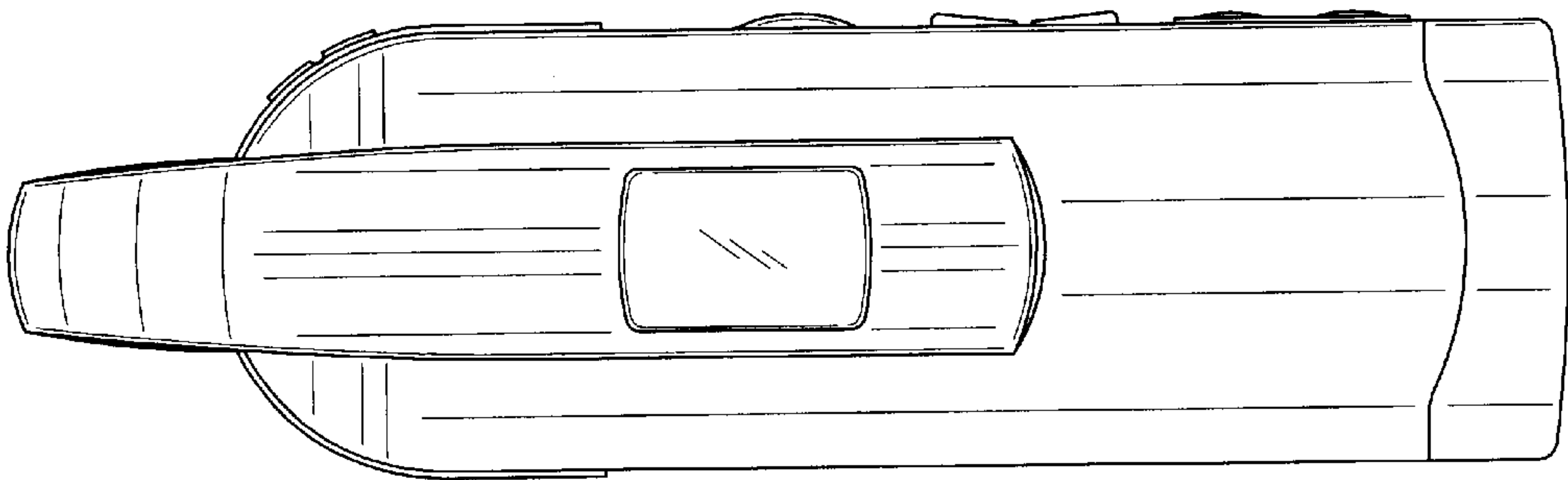


FIG. 3

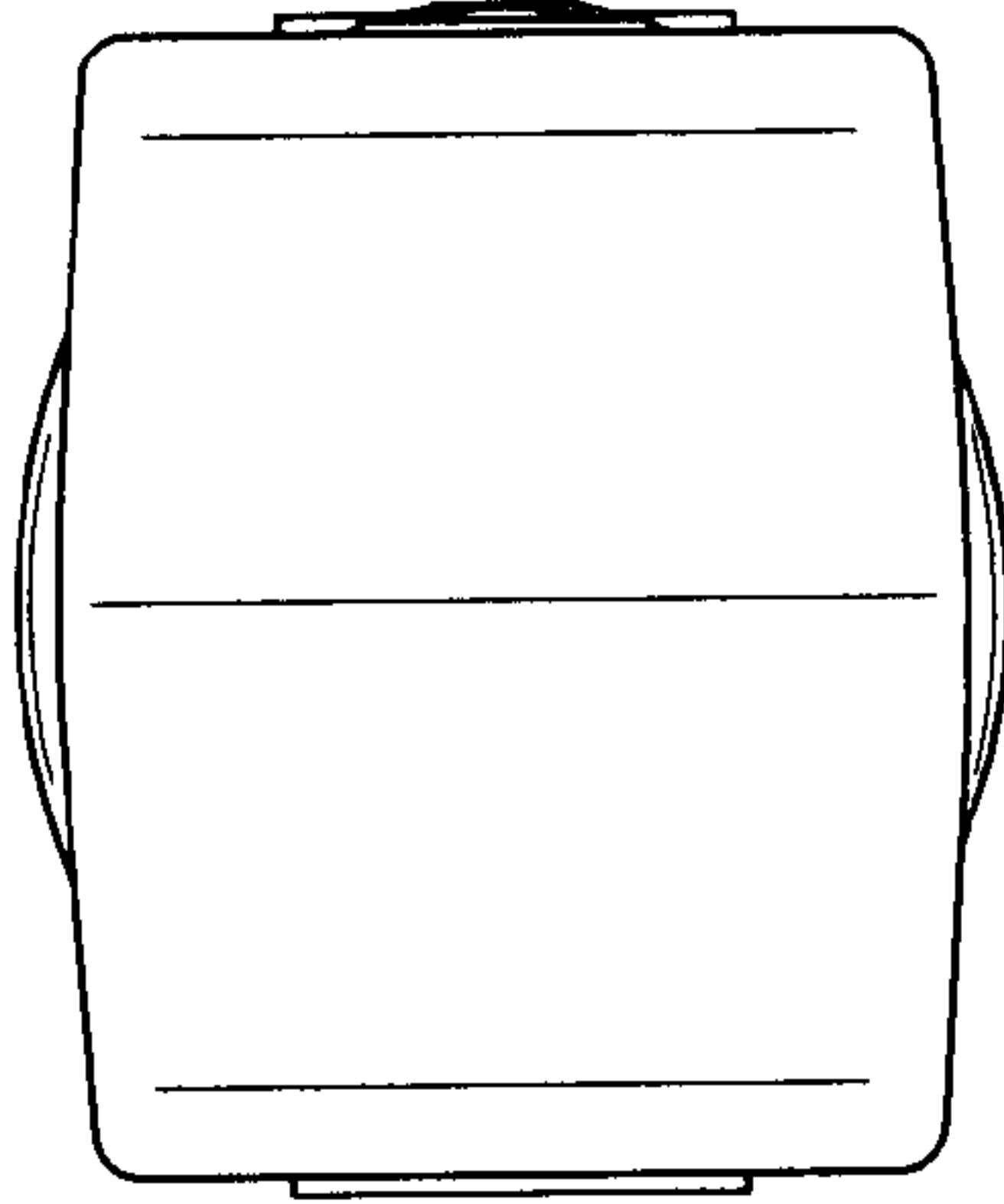


FIG. 4

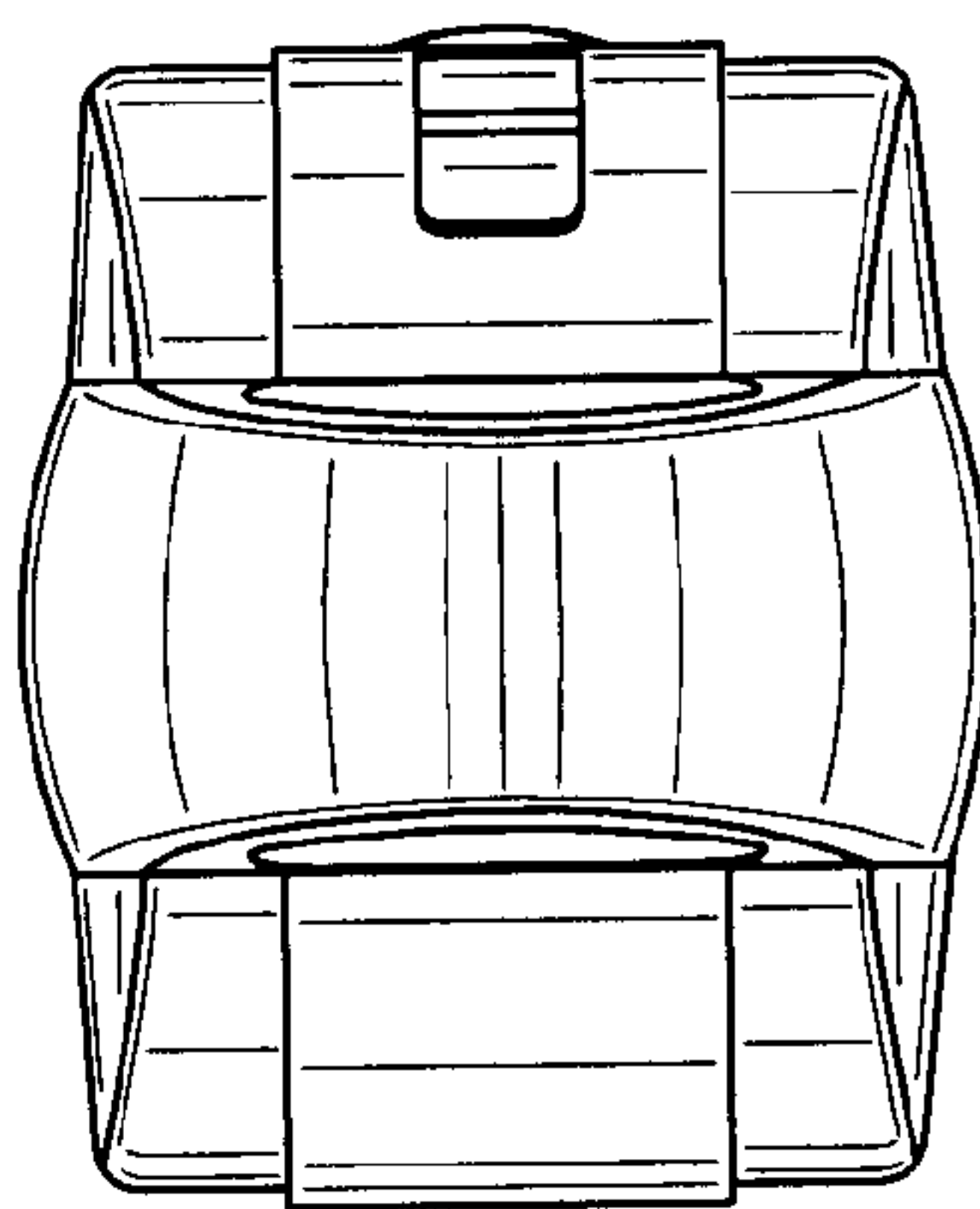


FIG. 5

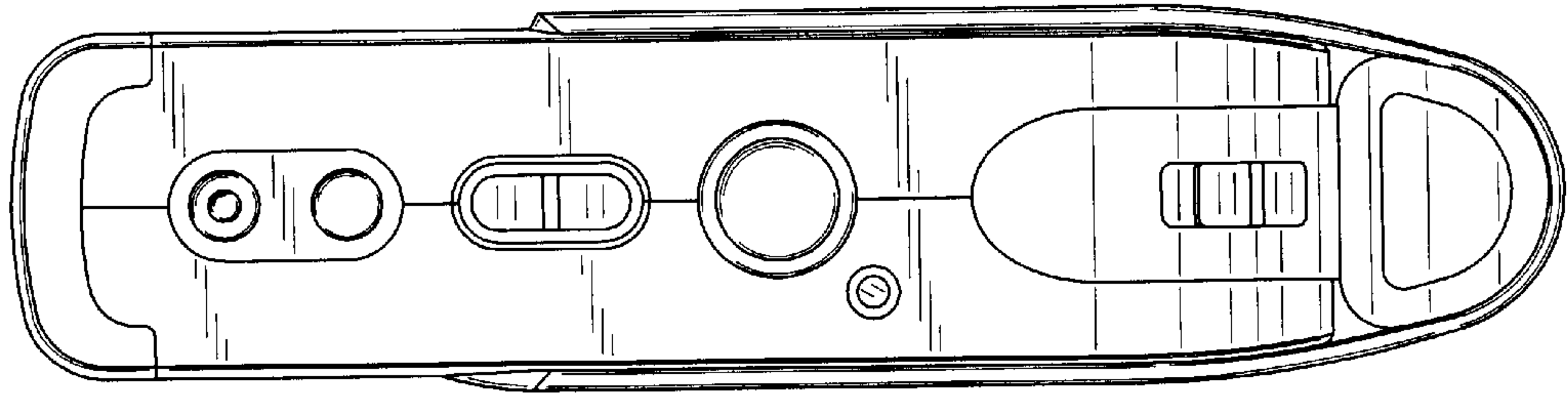


FIG. 6

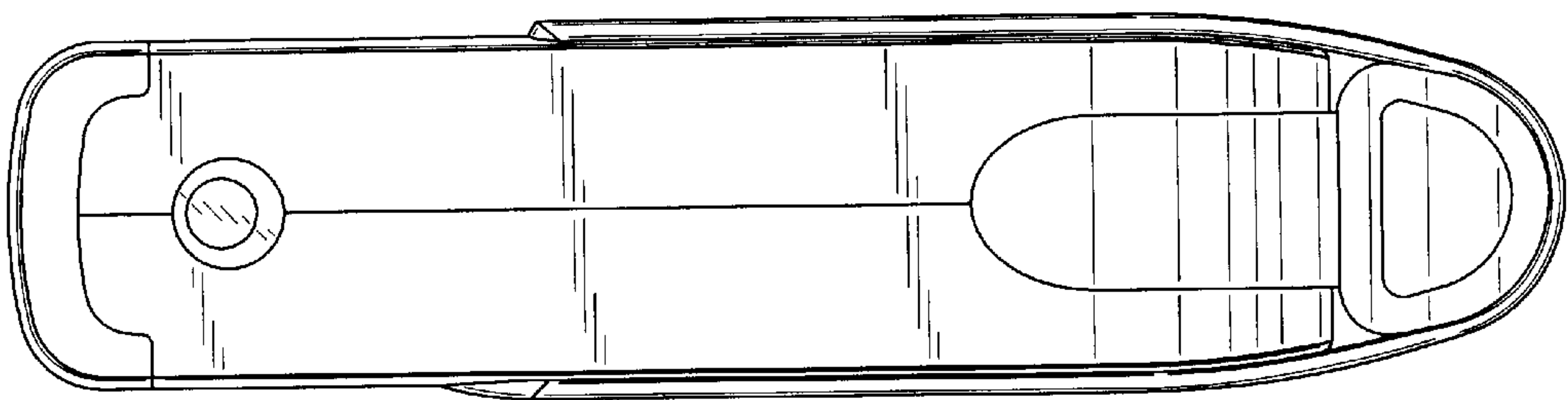


FIG. 7