



US00D486467S

(12) **United States Design Patent**
Yuen

(10) **Patent No.:** **US D486,467 S**

(45) **Date of Patent:** **** Feb. 10, 2004**

(54) **MINI SIZE SOLID STATE REFRIGERATOR WITH CD PLAYER AND RADIO**

(75) Inventor: **John Se Kit Yuen, Hong Kong (HK)**

(73) Assignee: **John Manufacturing Limited (HK)**

(**) Term: **14 Years**

(21) Appl. No.: **29/168,793**

(22) Filed: **Oct. 9, 2002**

(51) **LOC (7) Cl.** **14-01**

(52) **U.S. Cl.** **D14/168; D15/81**

(58) **Field of Search** D14/156, 168, D14/170-172, 188, 193-198; D15/79-91; 62/125-127, 246-254, 293, 444-445, 457.1-457.9, 3.6, 440; 312/214, 236; 222/20, 146.6, 212, 54, 63

(56) **References Cited**

U.S. PATENT DOCUMENTS

- 5,249,706 A * 10/1993 Szabo 222/20
- D347,634 S * 6/1994 Lobo D14/171
- D451,936 S * 12/2001 Ma et al. D15/85

6,446,459 B1 * 9/2002 Sawhney et al. 62/440

* cited by examiner

Primary Examiner—Nanda Bondade

(74) *Attorney, Agent, or Firm*—Akerman Senterfitt

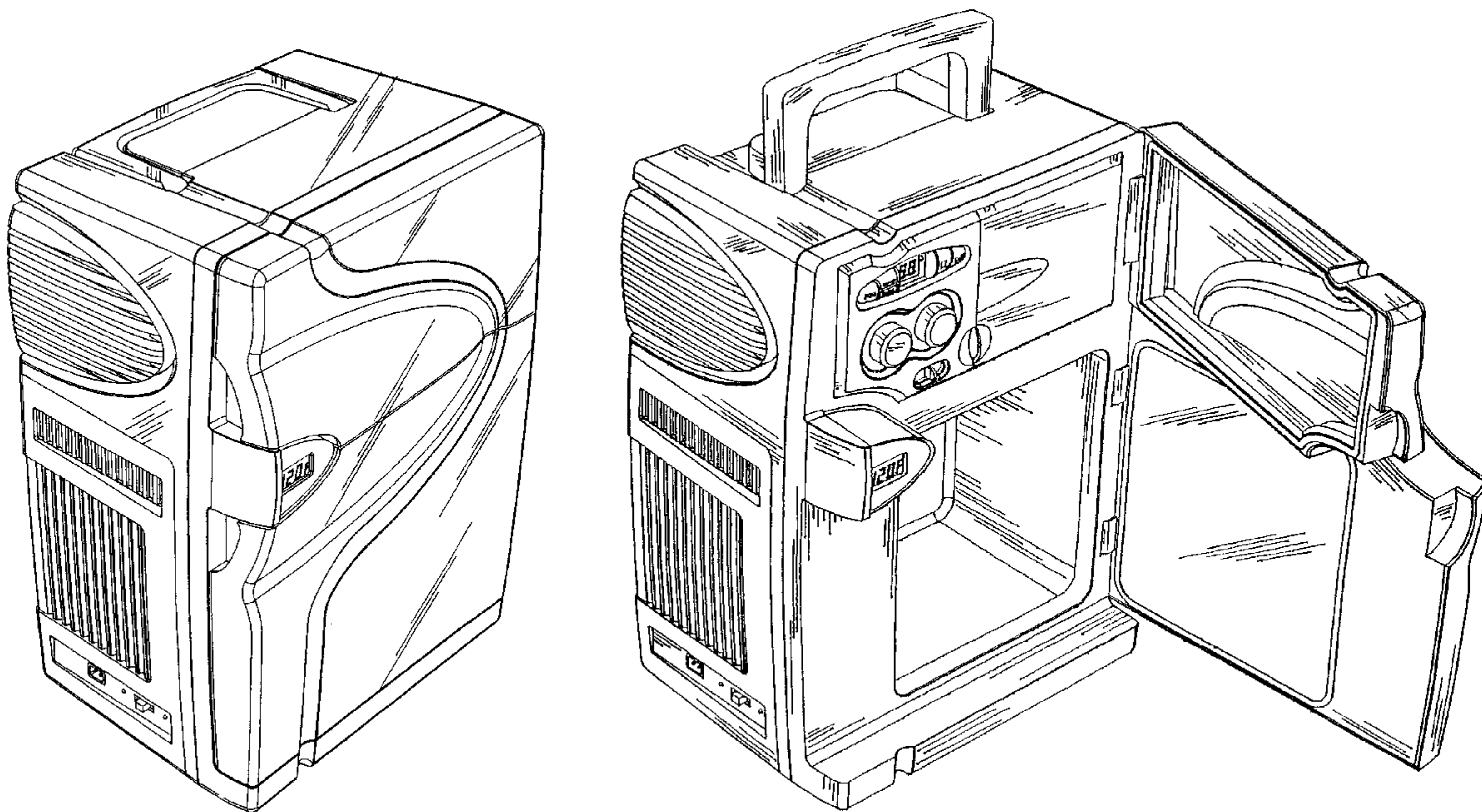
(57) **CLAIM**

An ornamental design for a mini size solid state refrigerator with CD player and radio, as shown and described.

DESCRIPTION

FIG. 1 is a front perspective view from the top of the mini size solid state refrigerator with CD player and radio according to my design in a closed configuration;
 FIG. 2 is a front perspective view of FIG. 1 in an open configuration;
 FIG. 3 is a front view of FIG. 1 in a closed configuration;
 FIG. 4 is a rear view of FIG. 1;
 FIG. 5 is a right side view of the FIG. 1;
 FIG. 6 is a left side view of FIG. 1;
 FIG. 7 is a top view of FIG. 1;
 FIG. 8 is a bottom view of FIG. 1; and,
 FIG. 9 is a rear perspective view from the bottom of FIG. 1.

1 Claim, 6 Drawing Sheets



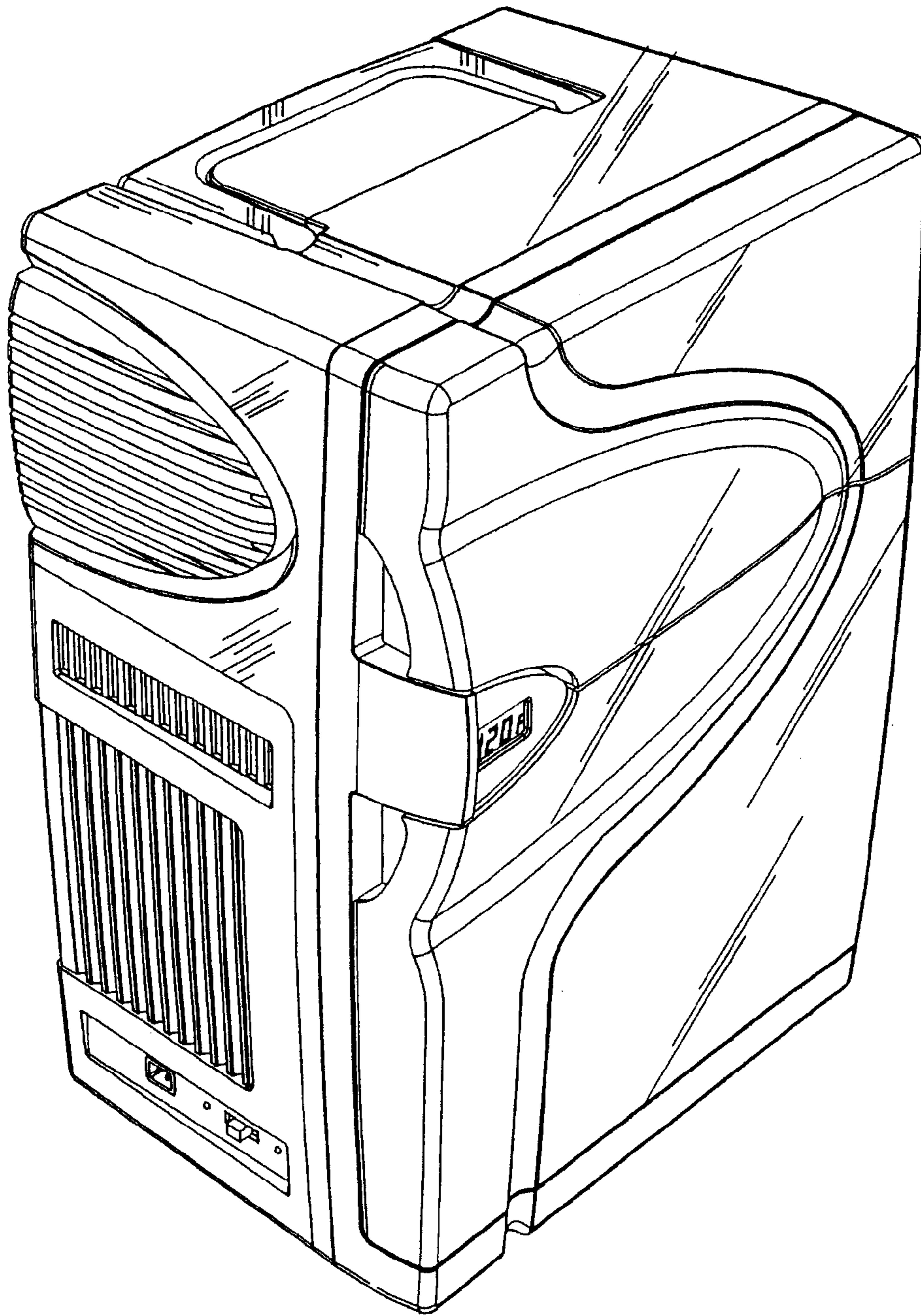


FIG. 1

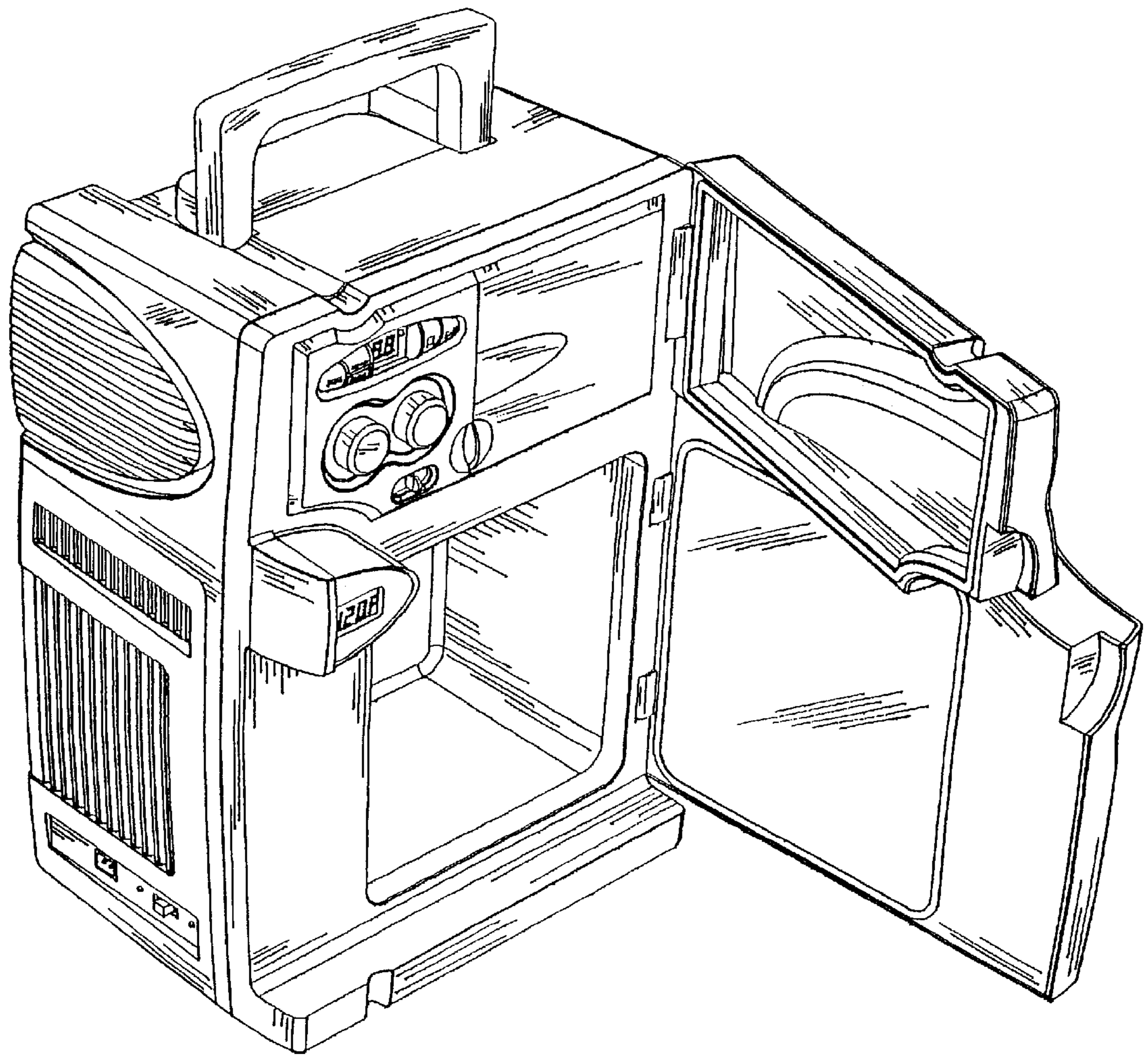


FIG. 2

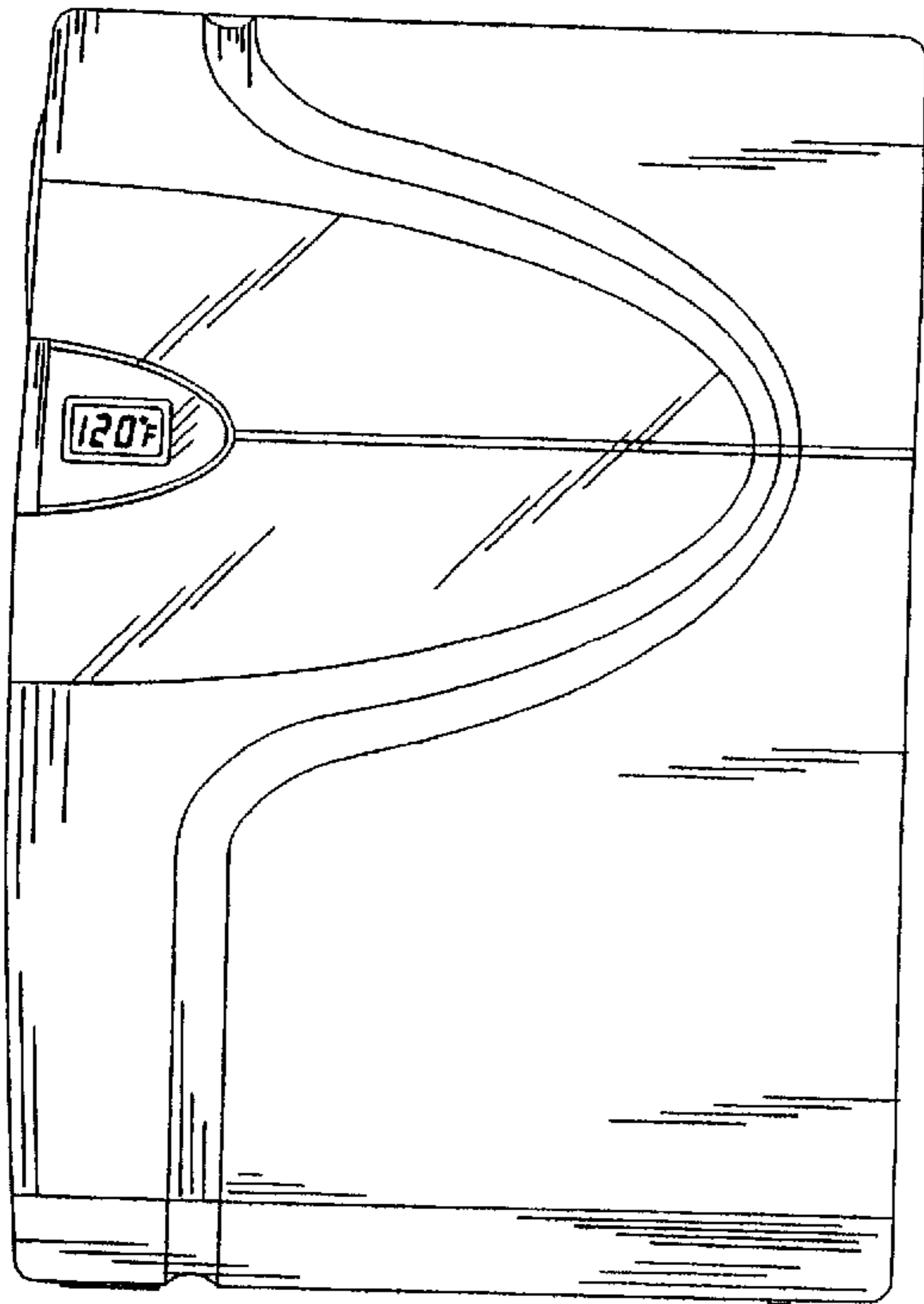


FIG. 3

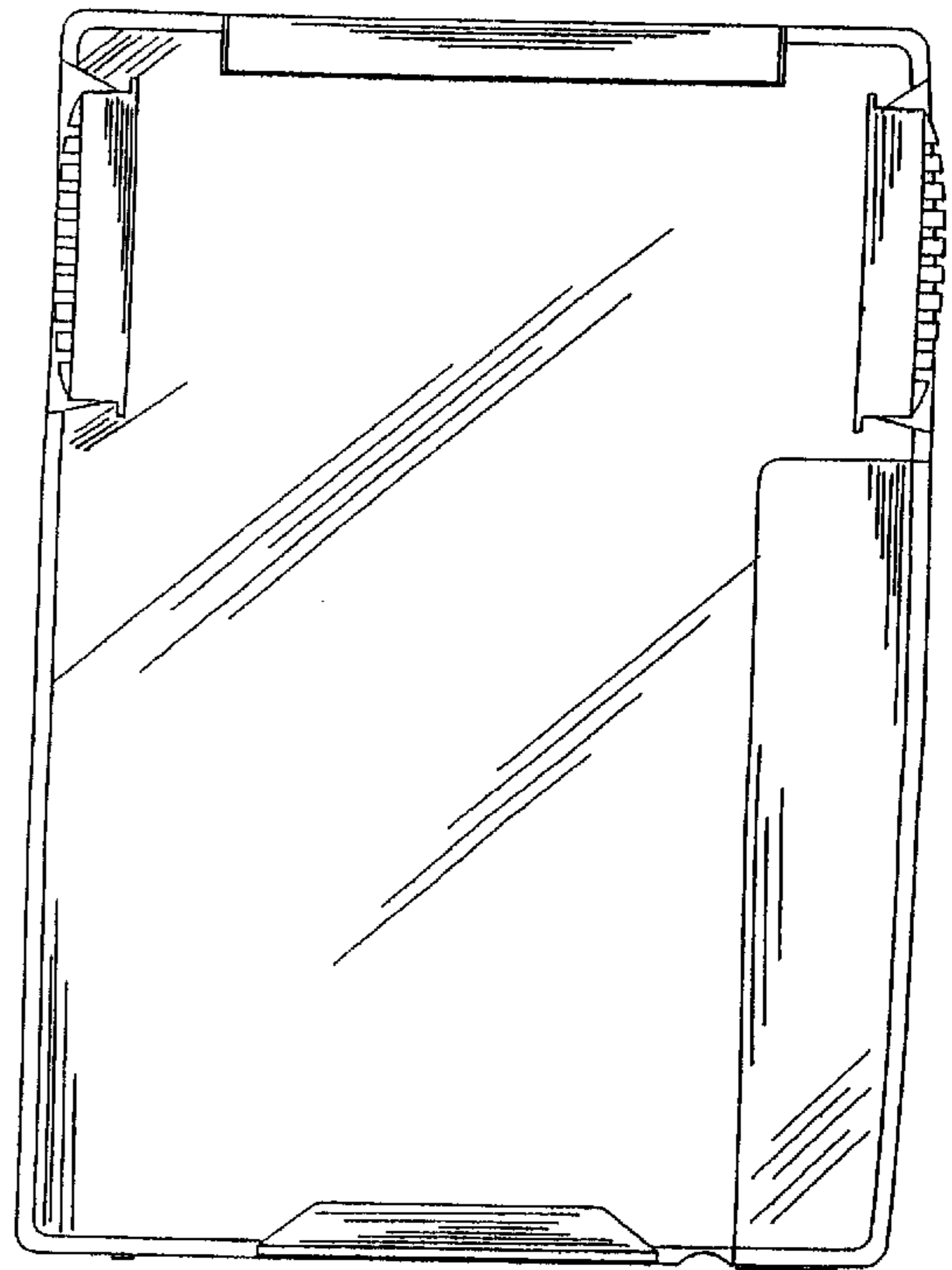


FIG. 4

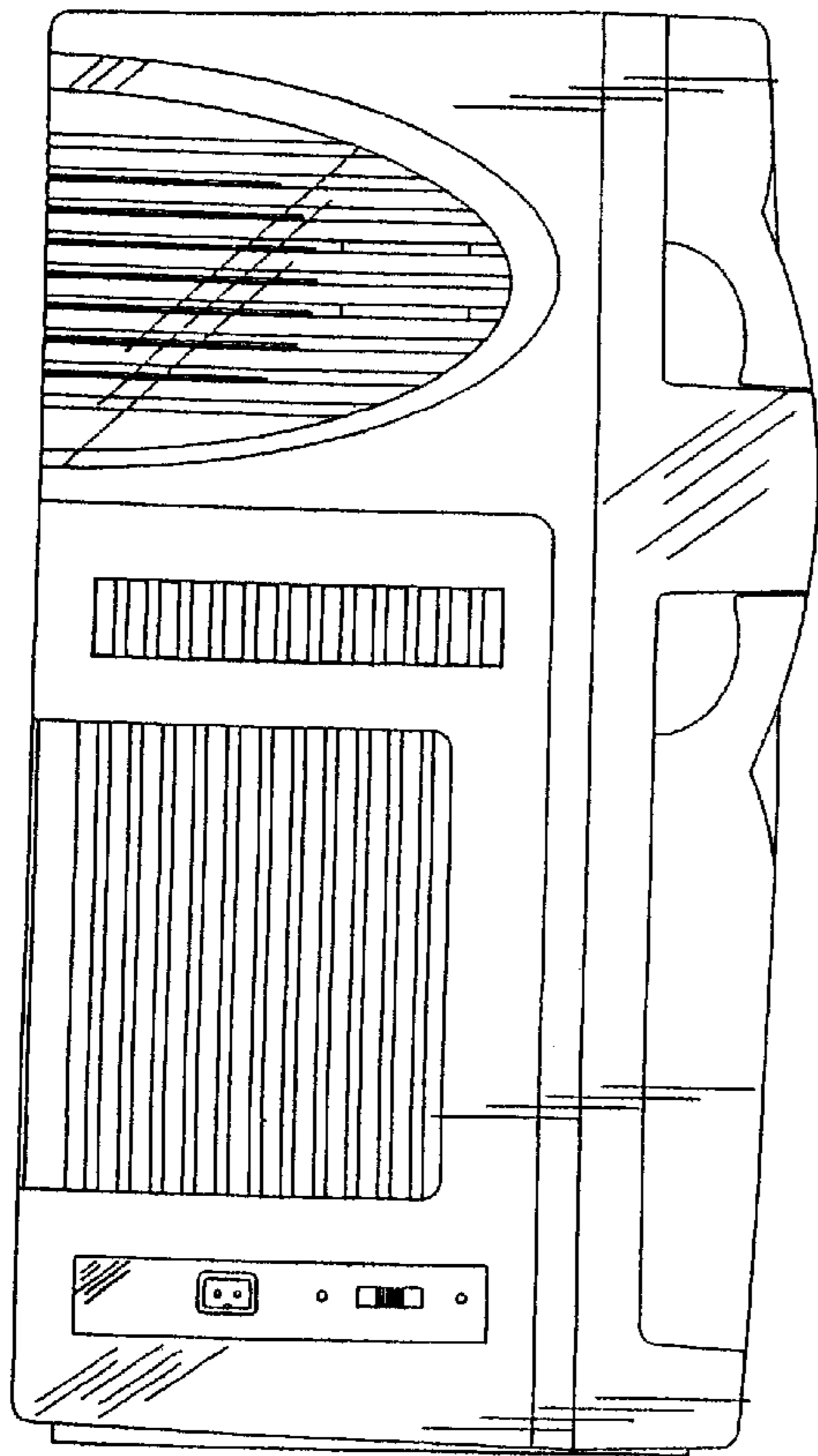


FIG. 5

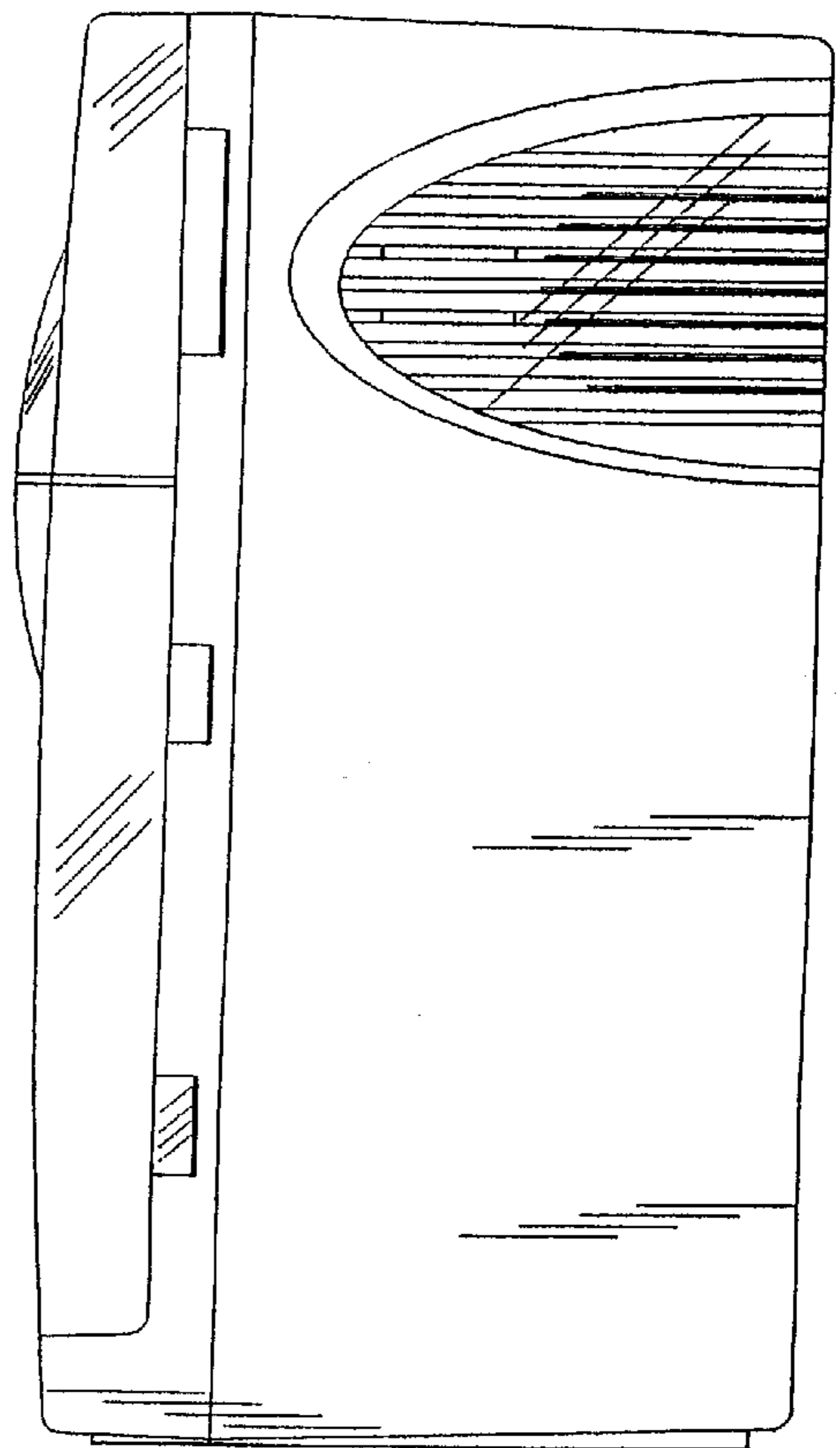


FIG. 6

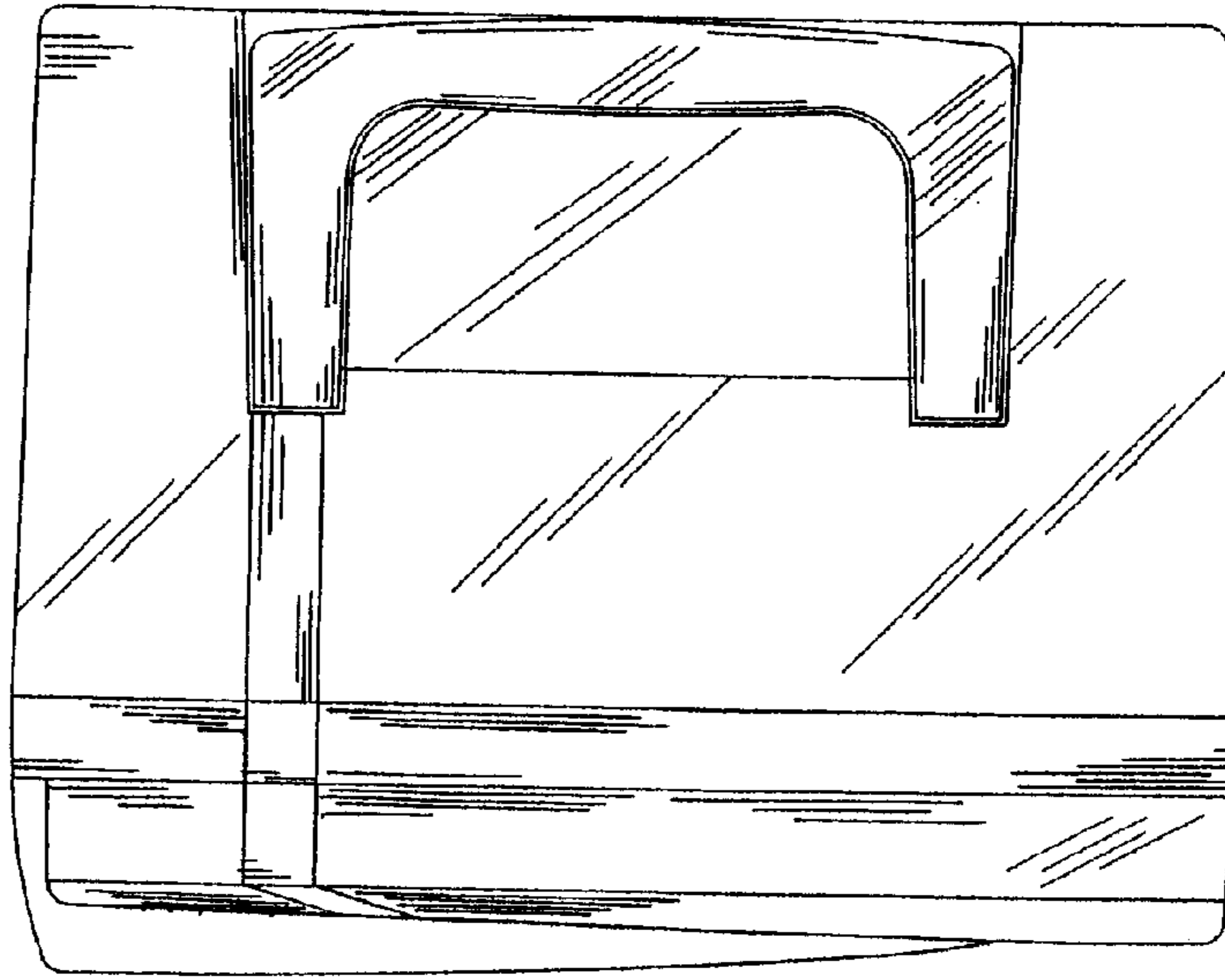


FIG. 7

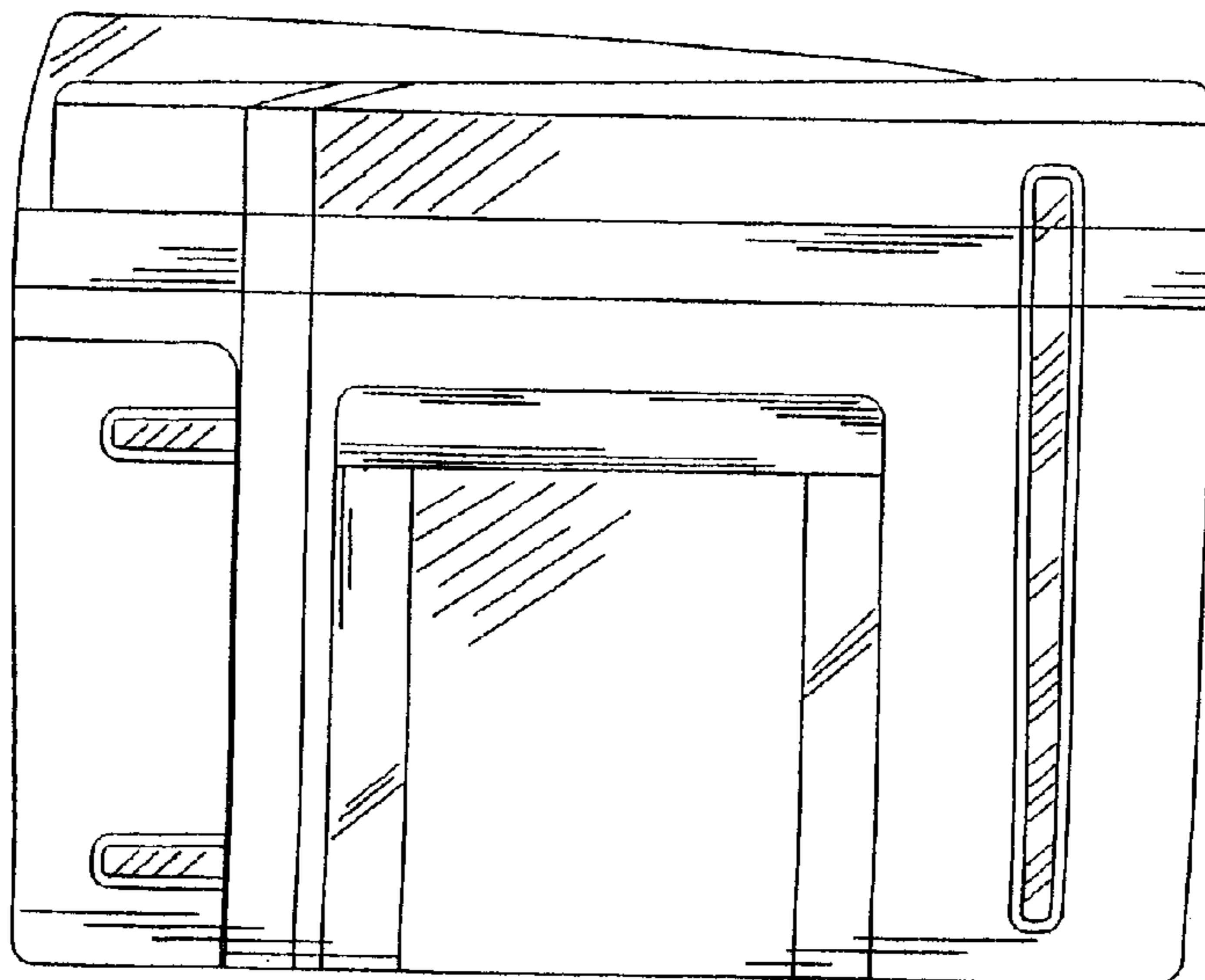


FIG. 8

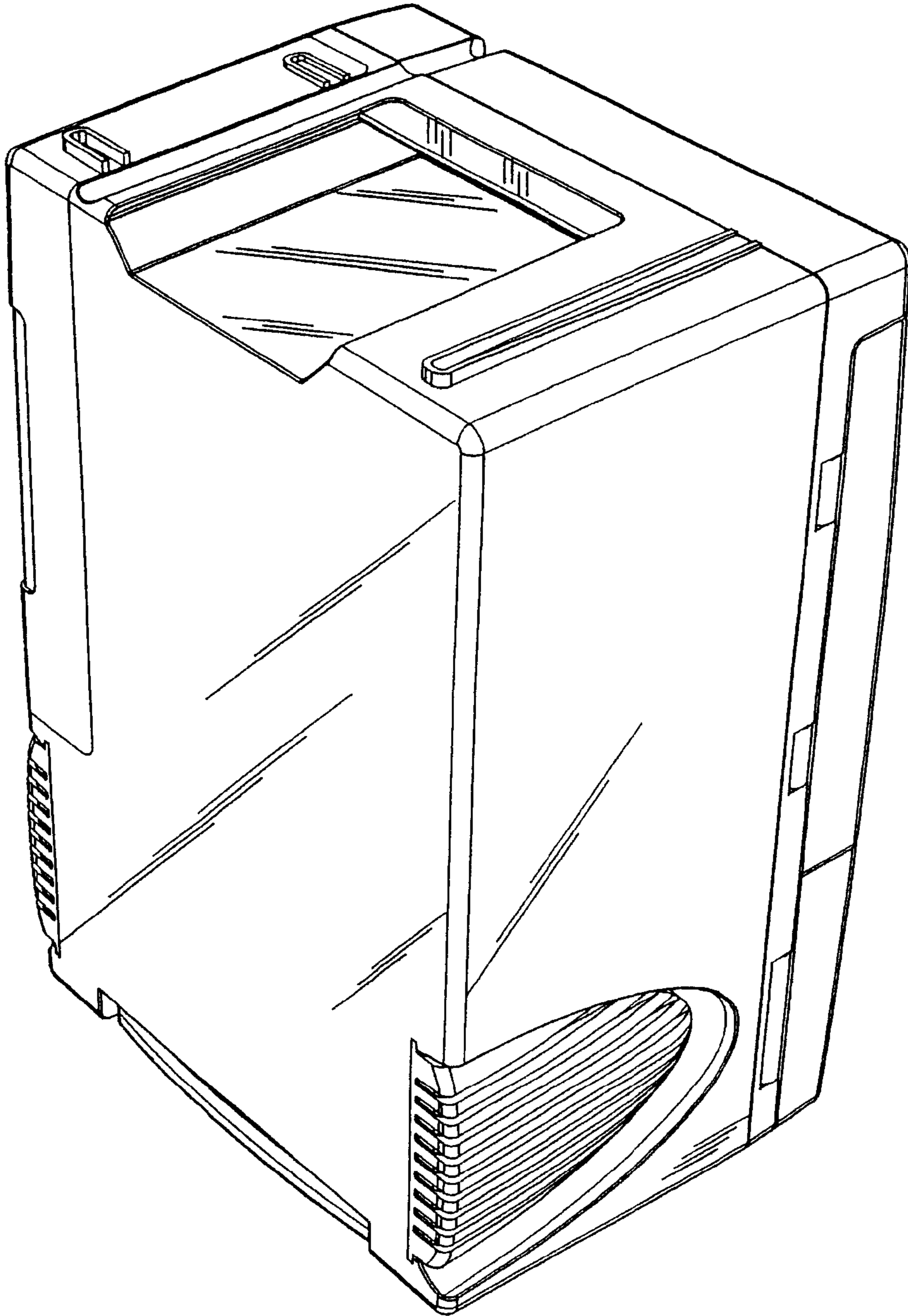


FIG. 9