



US00D486465S

(12) **United States Design Patent**
Tanaka

(10) **Patent No.:** **US D486,465 S**

(45) **Date of Patent:** **** Feb. 10, 2004**

(54) **DISC RECORDER**

(75) Inventor: **Soichi Tanaka**, Tokyo (JP)
(73) Assignee: **Sony Corporation**, Tokyo (JP)
(**) Term: **14 Years**

(21) Appl. No.: **29/172,831**
(22) Filed: **Dec. 19, 2002**

(51) **LOC (7) Cl.** **14-01**
(52) **U.S. Cl.** **D14/167**
(58) **Field of Search** D14/135-136,
D14/156-157, 167-168, 188, 193-198;
369/75.1, 75.2, 77.1, 77.2; 455/344, 347,
350-351

(56) **References Cited**

U.S. PATENT DOCUMENTS

5,706,353	A	*	1/1998	Arai et al.	381/77
D412,907	S	*	8/1999	Ishii	D14/163
D416,019	S	*	11/1999	Chan	D14/163
D425,890	S		5/2000	Kataoka		
D430,551	S	*	9/2000	Shiono	D14/156
D431,544	S		10/2000	Kobayashi		
D445,774	S	*	7/2001	Matsuoka	D14/156
D448,012	S	*	9/2001	Matsuoka	D14/156

OTHER PUBLICATIONS

Catalog "Sony New Products, PAV", 3 sheets, SONY (Autumn/2001).
Web page "MD Headphone Player/MD-ST700" <http://www.sharp.co.jp/products/mdst700/index.html>, SHARP (Jul. 2002).

* cited by examiner

Primary Examiner—Nanda Bondade
(74) *Attorney, Agent, or Firm*—Rader, Fishman & Grauer PLLC

(57) **CLAIM**

The ornamental design for a disc recorder, as shown.

DESCRIPTION

FIG. 1 is a perspective view of a disc recorder showing my new design;
FIG. 2 is a front elevational view thereof;
FIG. 3 is a rear elevational view thereof;
FIG. 4 is a left side elevational view thereof;
FIG. 5 is a right side elevational view thereof;
FIG. 6 is a top plan view thereof; and,
FIG. 7 is a bottom plan view thereof.

1 Claim, 4 Drawing Sheets

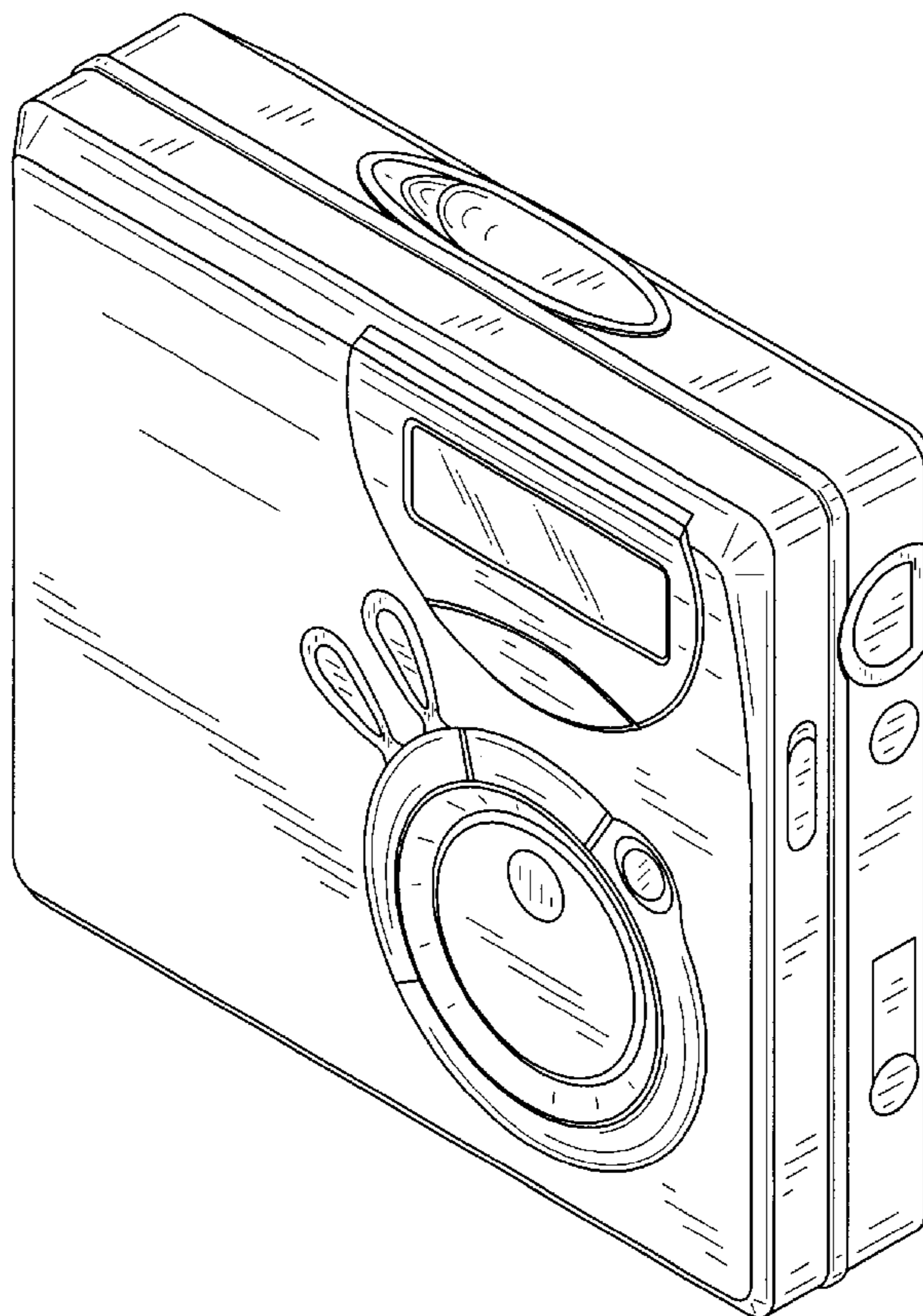


FIG. 1

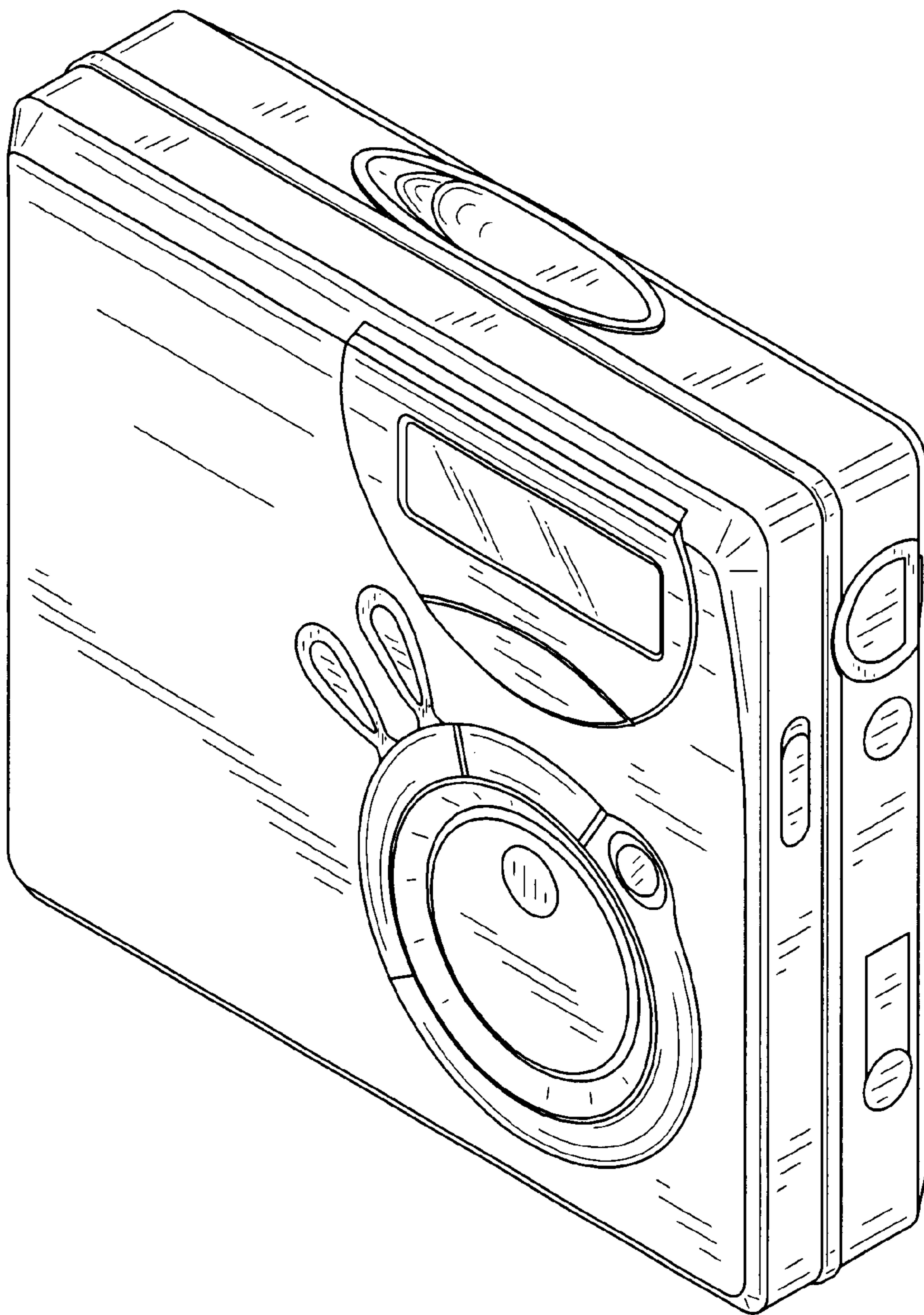


FIG. 2

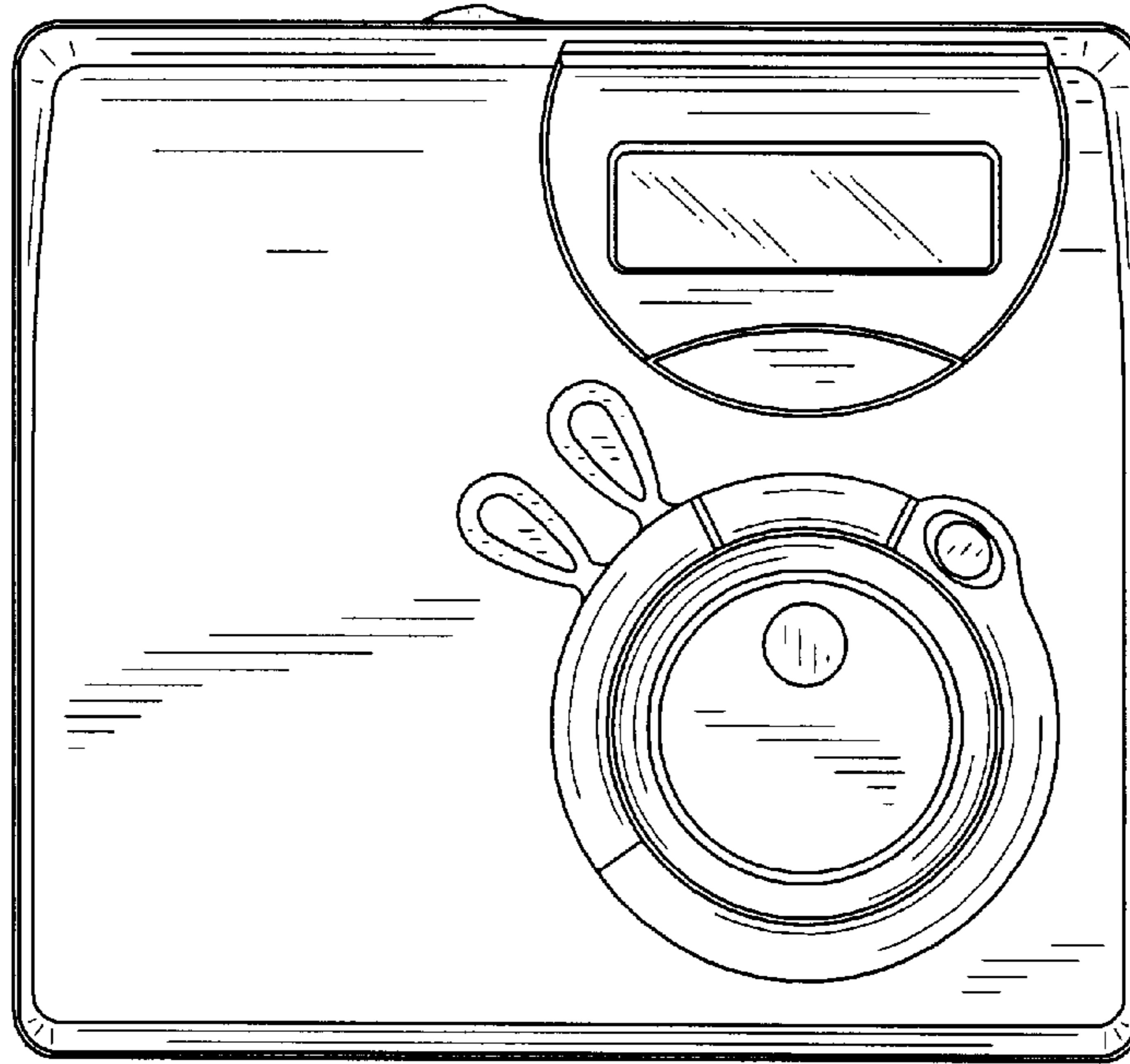


FIG. 3

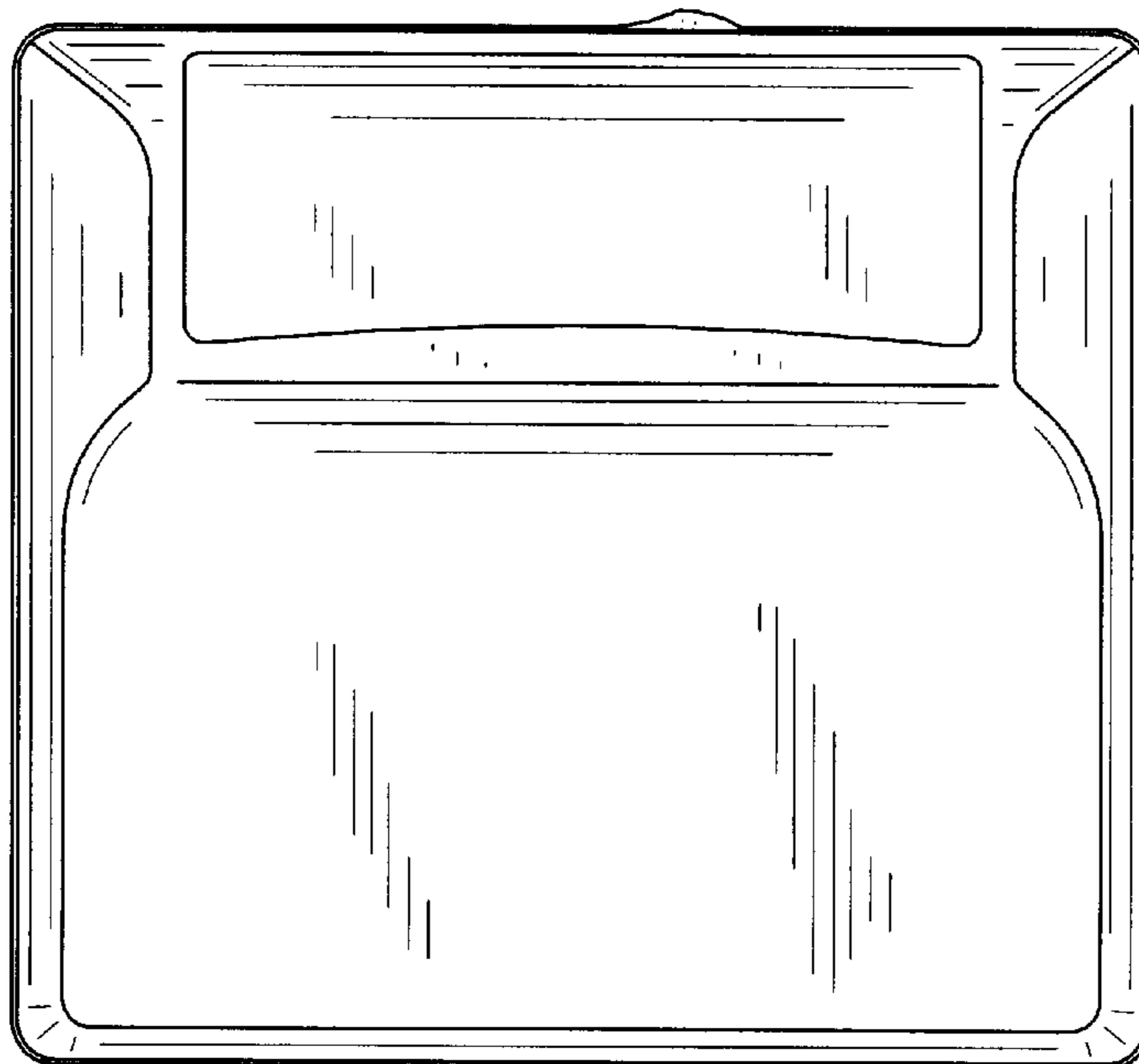


FIG. 4

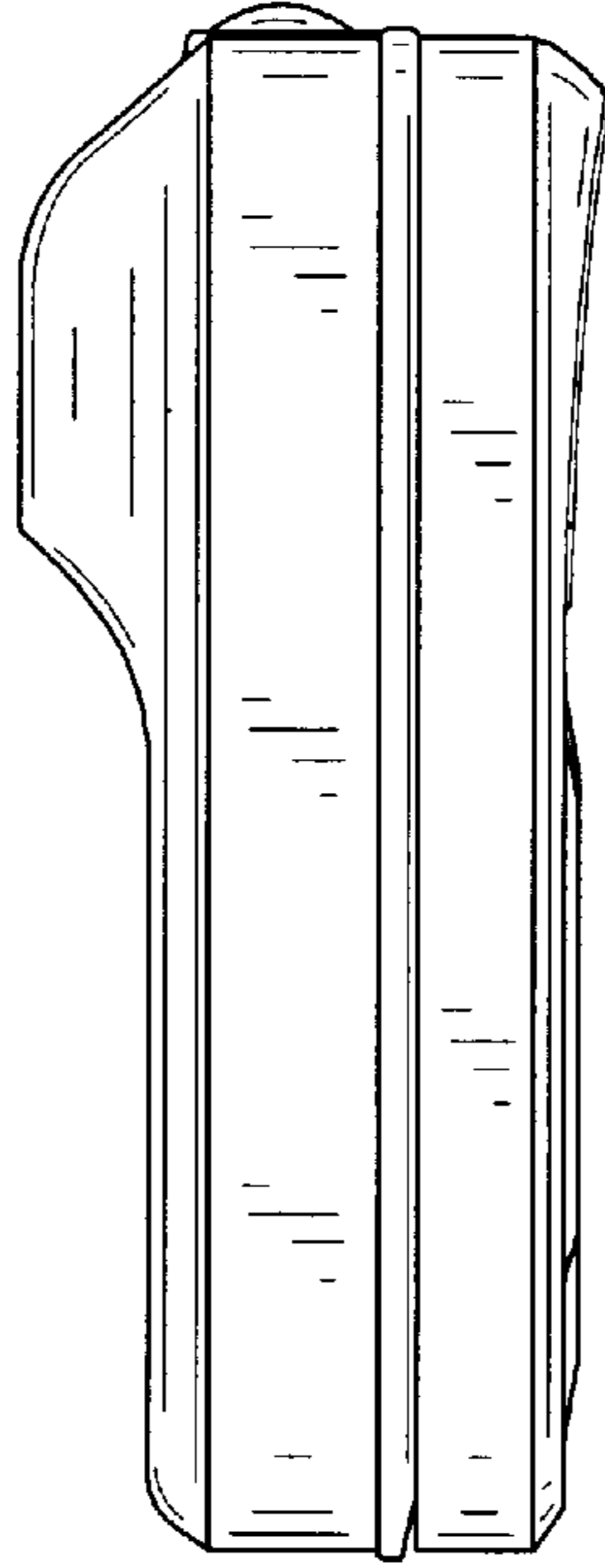


FIG. 5

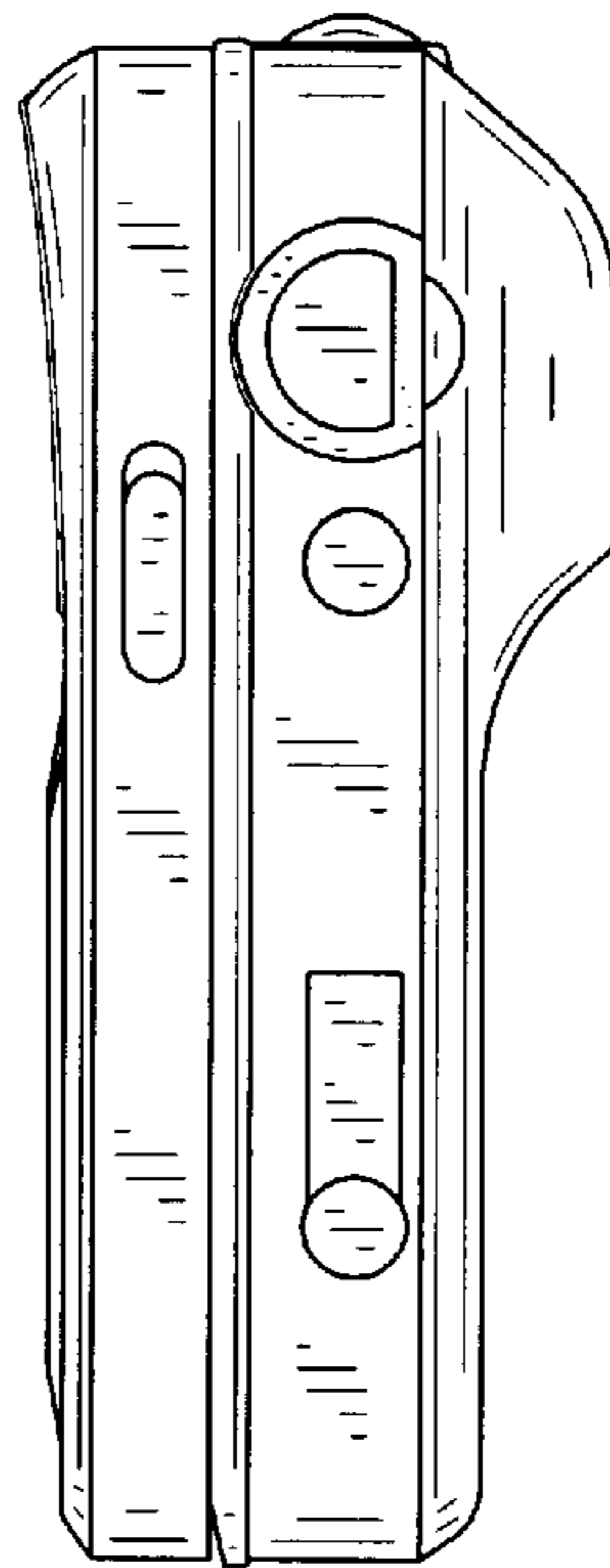


FIG. 6

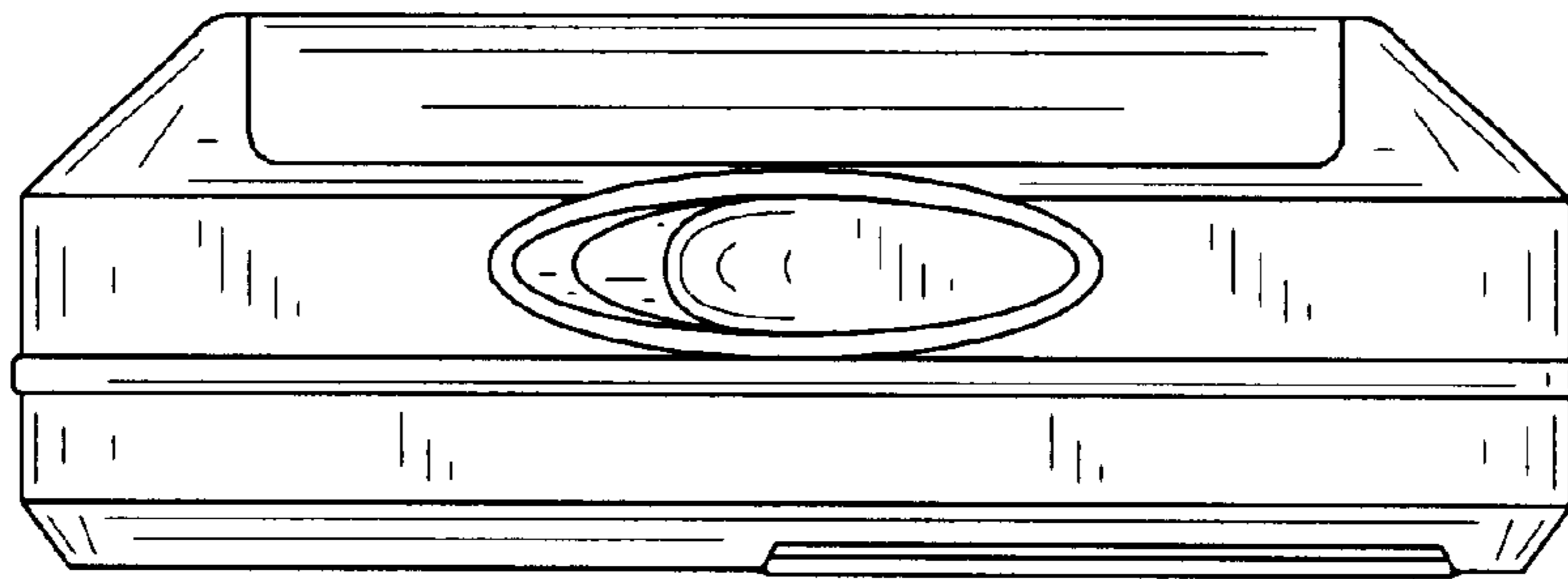


FIG. 7

