



US00D486457S

(12) **United States Design Patent**
Lee

(10) **Patent No.:** **US D486,457 S**

(45) **Date of Patent:** **** Feb. 10, 2004**

(54) **DVD HAVING ANGULARLY ADJUSTABLE SCREEN**

(75) **Inventor:** **Chin-Yang Lee, Taipei (TW)**

(73) **Assignee:** **First Technology International Co., Ltd., Taipei (TW)**

(**) **Term:** **14 Years**

(21) **Appl. No.:** **29/178,885**

(22) **Filed:** **Apr. 2, 2003**

(51) **LOC (7) Cl.** **14-03**

(52) **U.S. Cl.** **D14/129; D14/132**

(58) **Field of Search** **D14/125-136, D14/239, 371, 315-327, 336-355, 374-401, 496, 156-157, 167-168; 312/7.2; 248/917-924; 348/794, 825, 836, 838; 345/348, 133, 139, 905, 967, 976, 977; 341/12; D12/415-418, 345**

(56) **References Cited**

U.S. PATENT DOCUMENTS

D409,184 S * 5/1999 Sakamoto et al. D14/136

D443,256 S * 6/2001 Yoshiyama D14/129

D447,738 S * 9/2001 Usami et al. D14/129

D456,373 S * 4/2002 Usami et al. D14/129

D467,887 S * 12/2002 Azuma et al. D14/168

D469,747 S * 2/2003 To et al. D14/132

* cited by examiner

Primary Examiner—Raphael Barkai

(74) *Attorney, Agent, or Firm*—Bacon & Thomas, PLLC

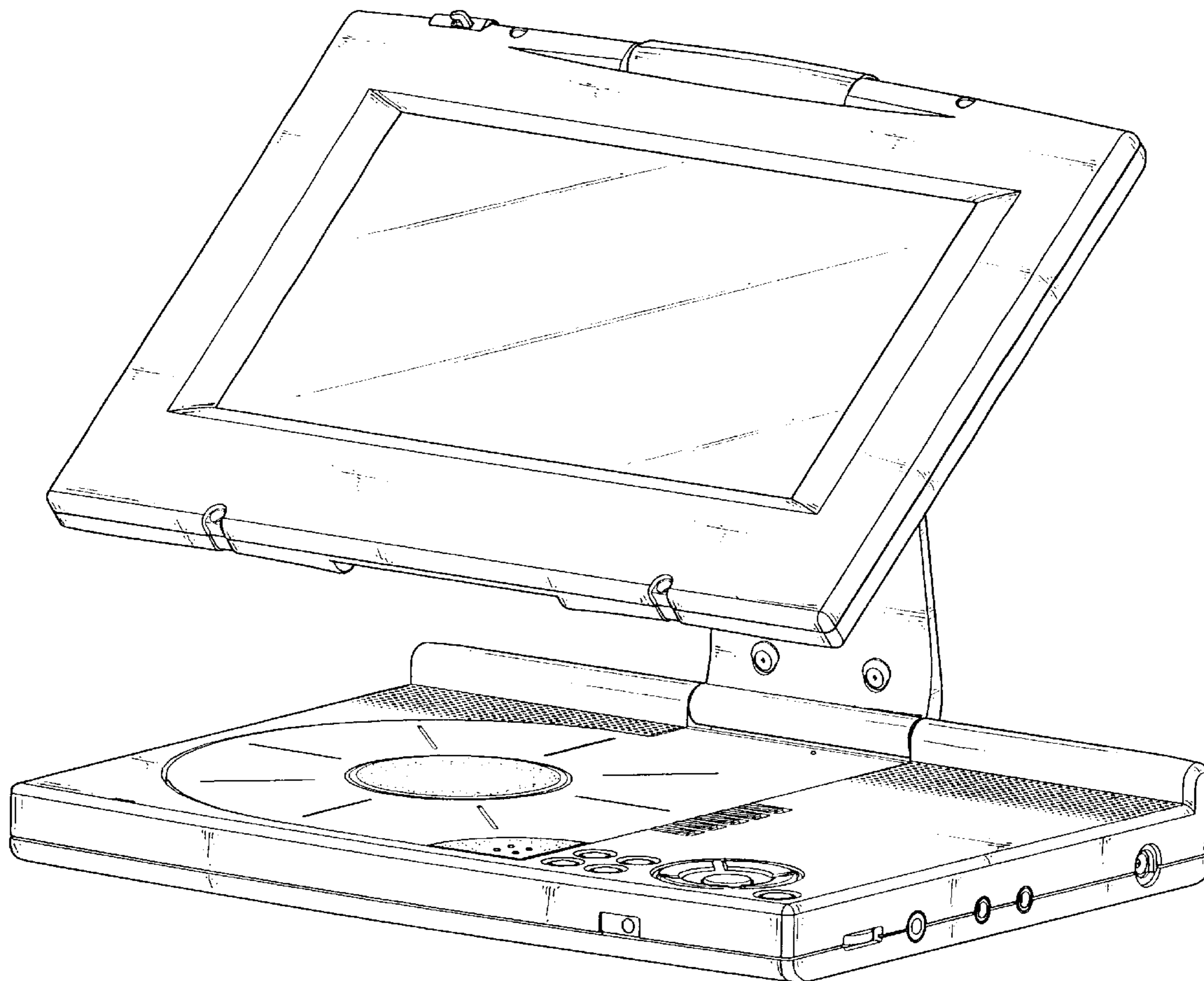
(57) **CLAIM**

The ornamental design for DVD having angularly adjustable screen, as shown and described.

DESCRIPTION

FIG. 1 is a perspective view of DVD having angularly adjustable screen showing my new design; FIG. 2 is a front elevational view thereof; FIG. 3 is a rear elevational view thereof; FIG. 4 is a left side elevational view thereof; FIG. 5 is a right side elevational view thereof; FIG. 6 is a top plan view thereof; and, FIG. 7 is a bottom plan view thereof.

1 Claim, 7 Drawing Sheets



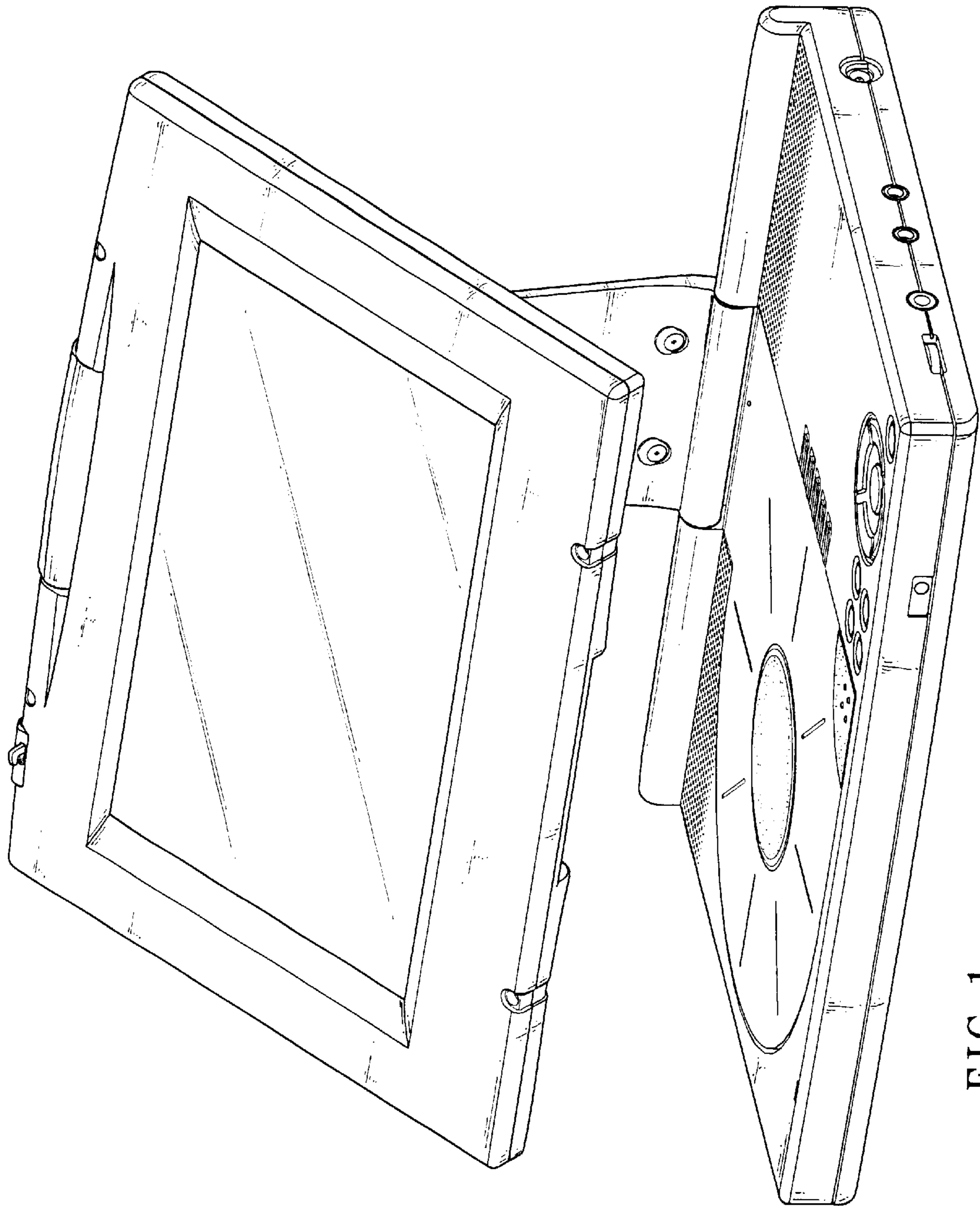


FIG. 1

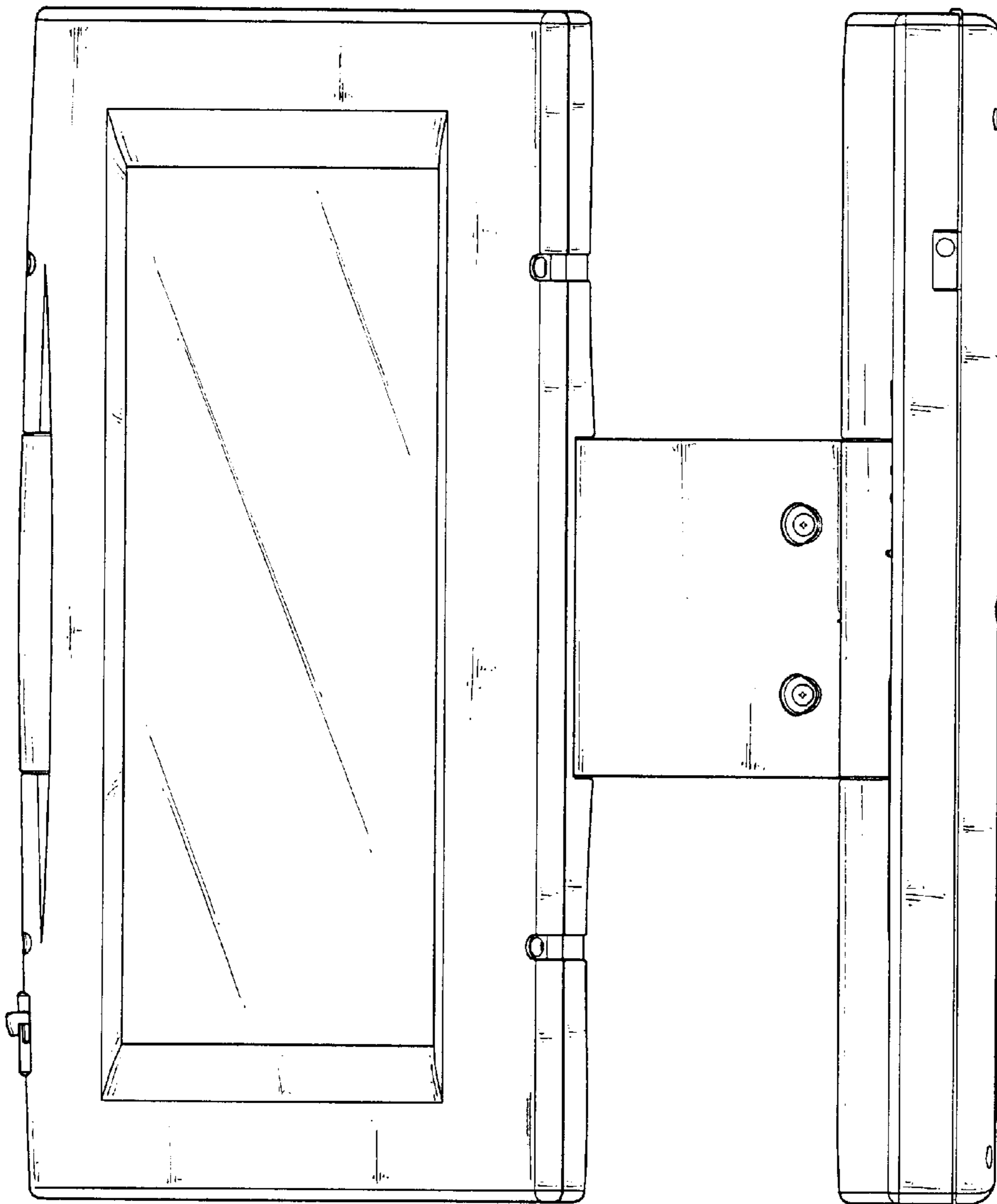


FIG. 2

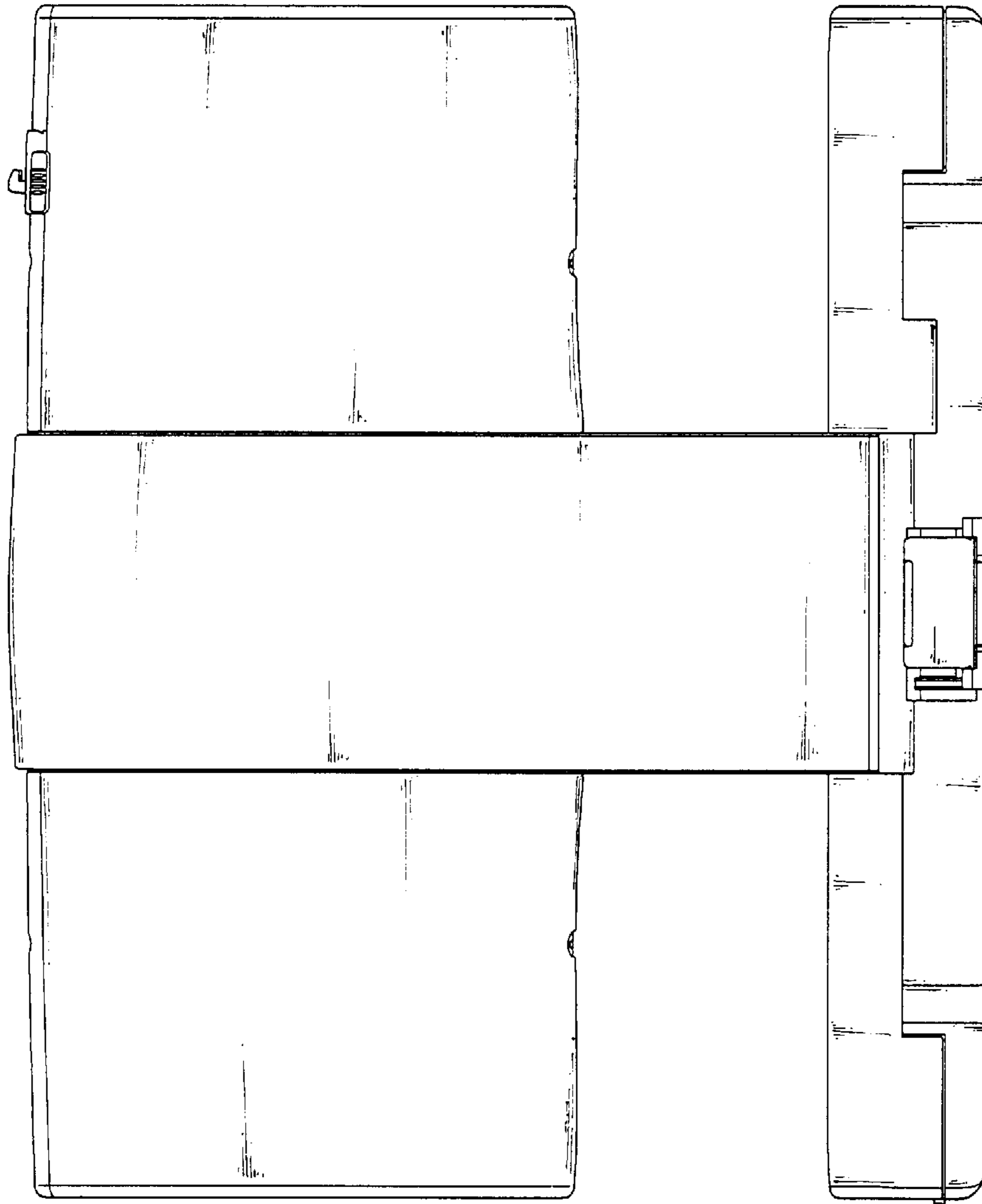


FIG. 3

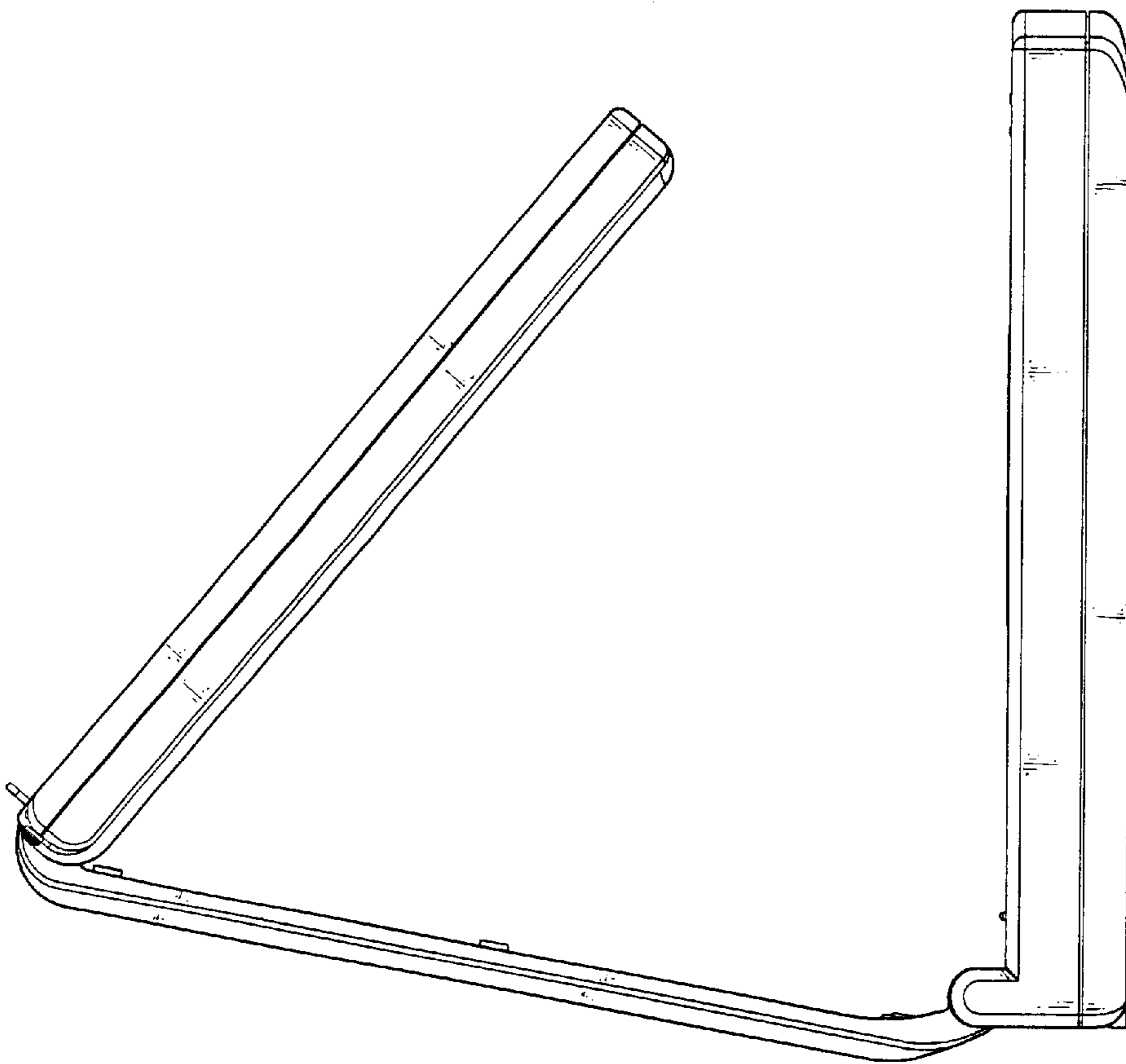


FIG. 4

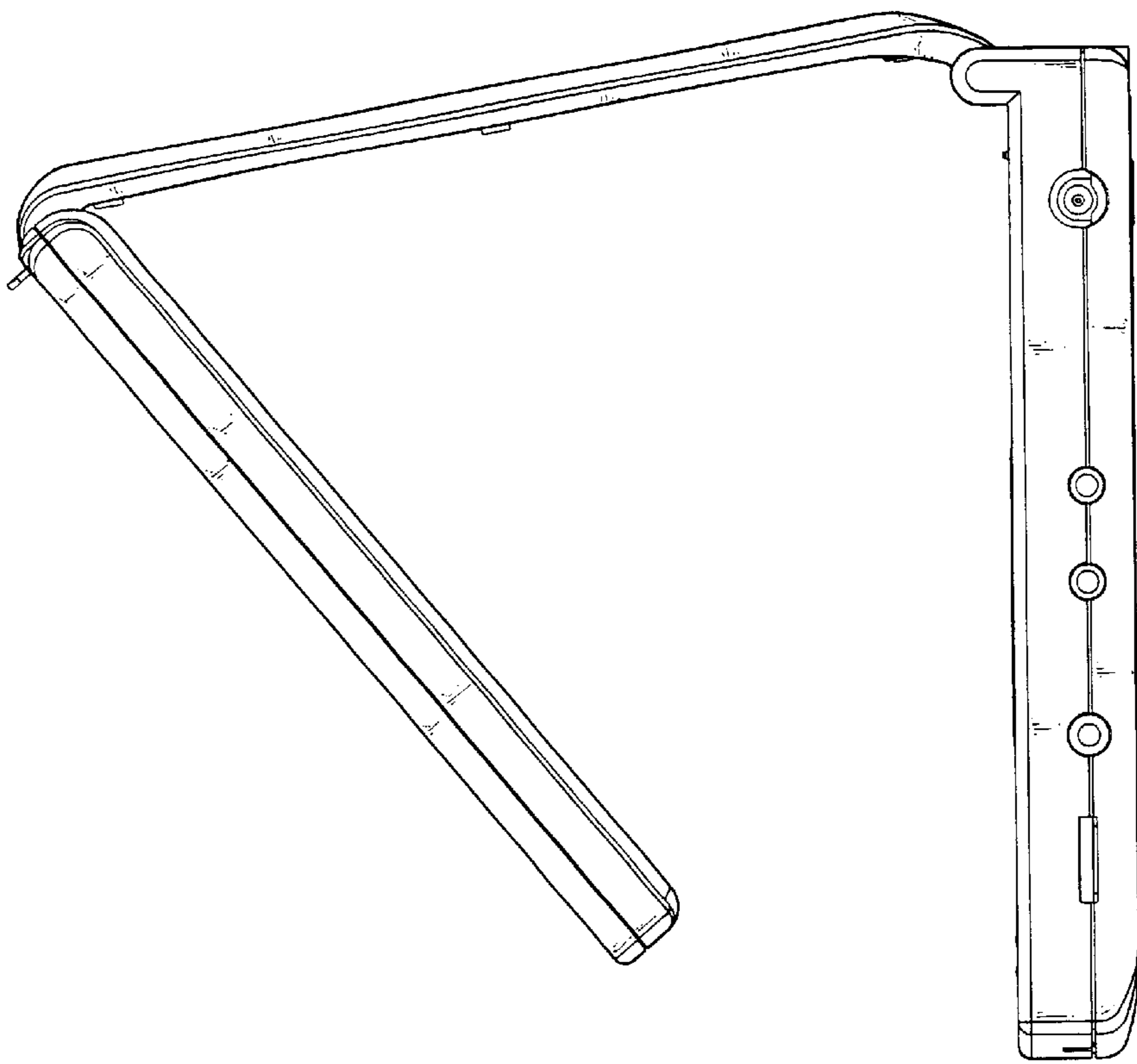


FIG. 5

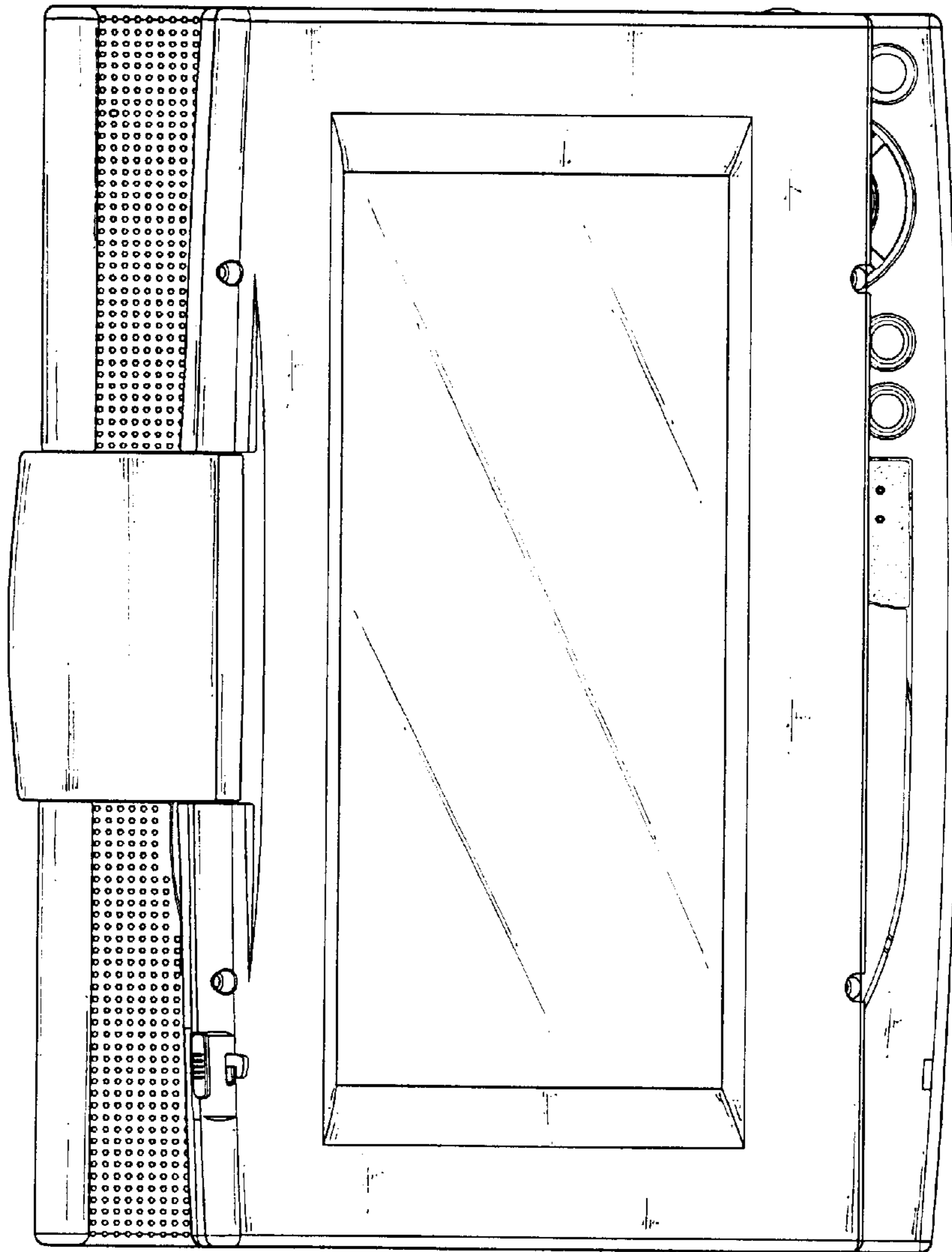


FIG. 6

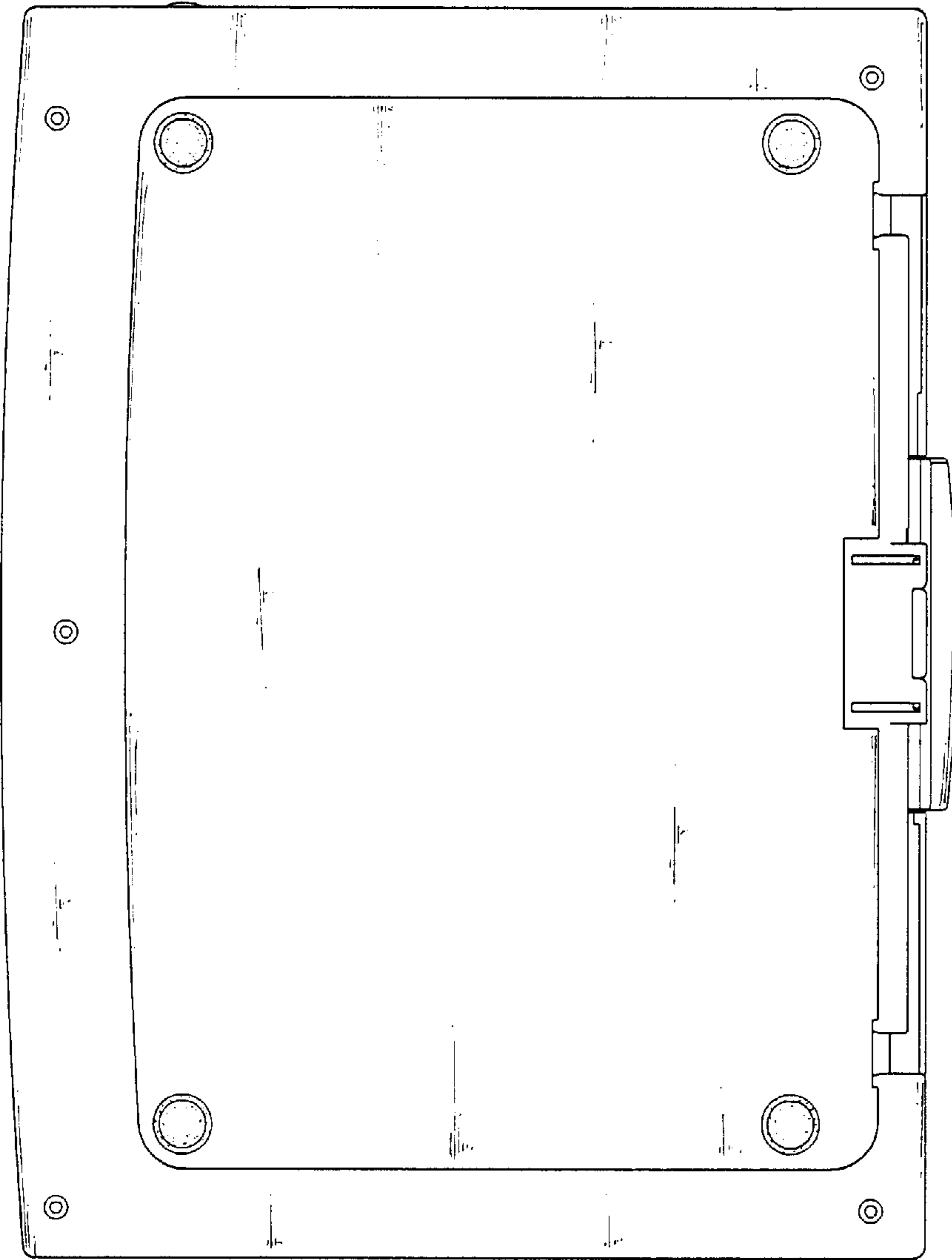


FIG. 7