



US00D486455S

(12) **United States Design Patent**  
**Niwatsukino et al.**

(10) **Patent No.:** **US D486,455 S**

(45) **Date of Patent:** **\*\* Feb. 10, 2004**

(54) **RADIATOR**

(75) Inventors: **Kyo Niwatsukino**, Fukuoka (JP); **Seiji Urano**, Onojo (JP); **Shigeru Narakino**, Munakata-gun (JP); **Fuminori Hirakawa**, Miyaki-gun (JP); **Toshihiko Matsuda**, Fukuoka (JP); **Shinya Koga**, Kurume (JP); **Yoshimitsu Aizono**, Ogori (JP); **Toshisuke Sakai**, Onojo (JP); **Toshiyuki Kubota**, Kasuga (JP); **Makoto Nishida**, Fukuoka (JP)

(73) Assignee: **Matsushita Electric Industrial Co., Ltd.**, Osaka (JP)

(\*\*) Term: **14 Years**

(21) Appl. No.: **29/174,979**

(22) Filed: **Jan. 27, 2003**

(30) **Foreign Application Priority Data**

Jul. 29, 2002 (JP) ..... 2002-020185

(51) **LOC (7) Cl.** ..... **13-03**

(52) **U.S. Cl.** ..... **D13/179**

(58) **Field of Search** ..... D13/179; 174/15.1, 174/16.3; 165/80.3, 80.4, 121, 122, 125, 131, 140, 146, 148, 185; 257/670, 675, 676, 706, 707, 712, 718, 719, 720, 721, 722; 361/695, 697, 699, 702, 704, 514

(56) **References Cited**

**U.S. PATENT DOCUMENTS**

4,234,041 A	*	11/1980	Melnyk	.....	165/173
4,432,414 A	*	2/1984	Morgan	.....	165/140
D348,252 S	*	6/1994	Mizunashi et al.	.....	D13/179
5,409,058 A	*	4/1995	Yuasa et al.	.....	165/167
6,148,906 A	*	11/2000	Li et al.	.....	165/104.33
6,164,368 A	*	12/2000	Furukawa et al.	.....	165/104.33
6,263,957 B1	*	7/2001	Chen et al.	.....	165/80.4

\* cited by examiner

*Primary Examiner*—Philip S. Hyder

*Assistant Examiner*—Selina Sikder

(74) *Attorney, Agent, or Firm*—Brinks Hofer Gilson & Lione

(57) **CLAIM**

The ornamental design for a radiator, as shown and described.

**DESCRIPTION**

FIG. 1 is a top perspective view of a radiator of the present invention;

FIG. 2 is a front view thereof;

FIG. 3 is a rear view thereof;

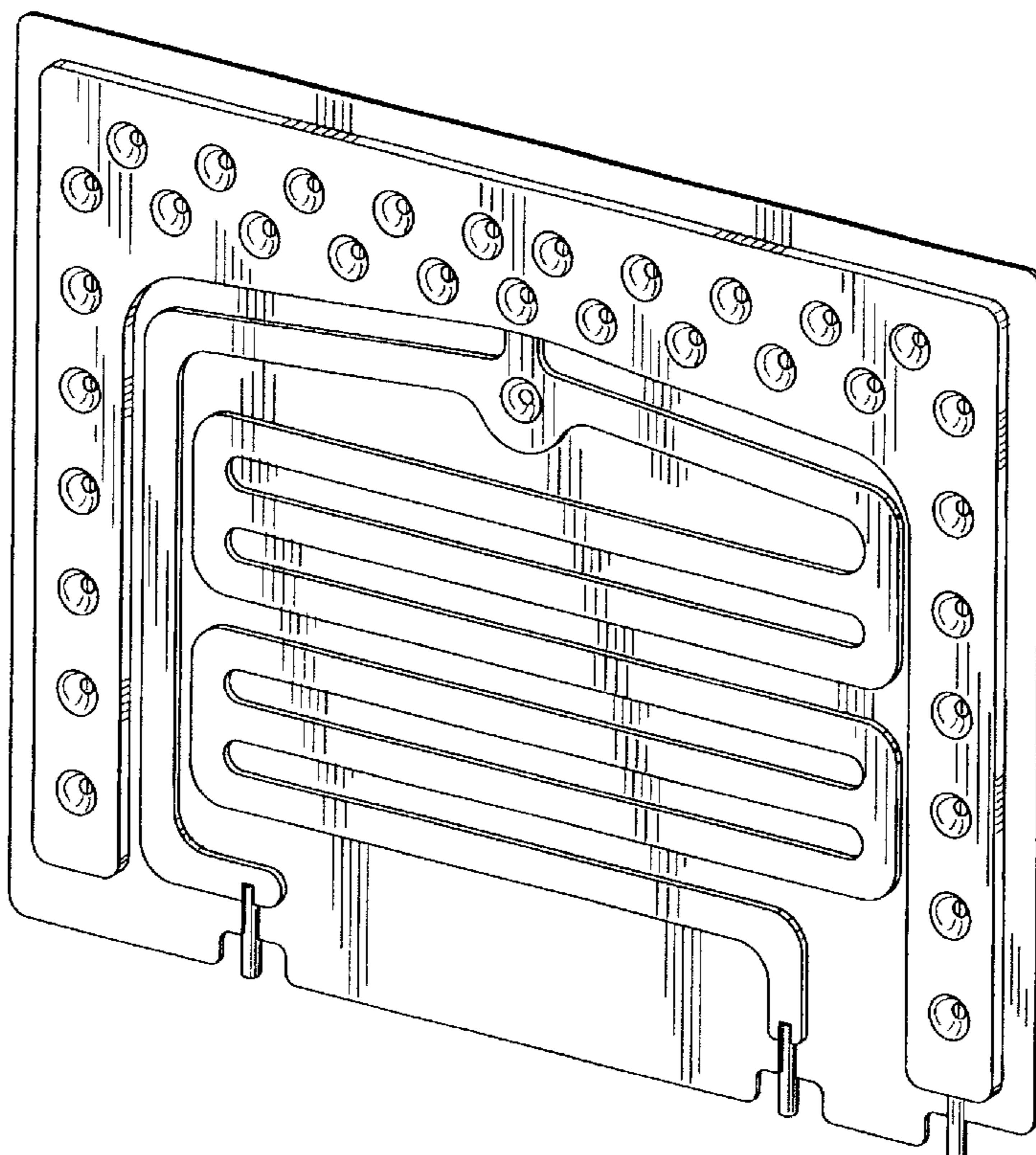
FIG. 4 is a top view thereof;

FIG. 5 is a bottom view thereof;

FIG. 6 is a first side view thereof; and,

FIG. 7 is a second side view thereof.

**1 Claim, 4 Drawing Sheets**



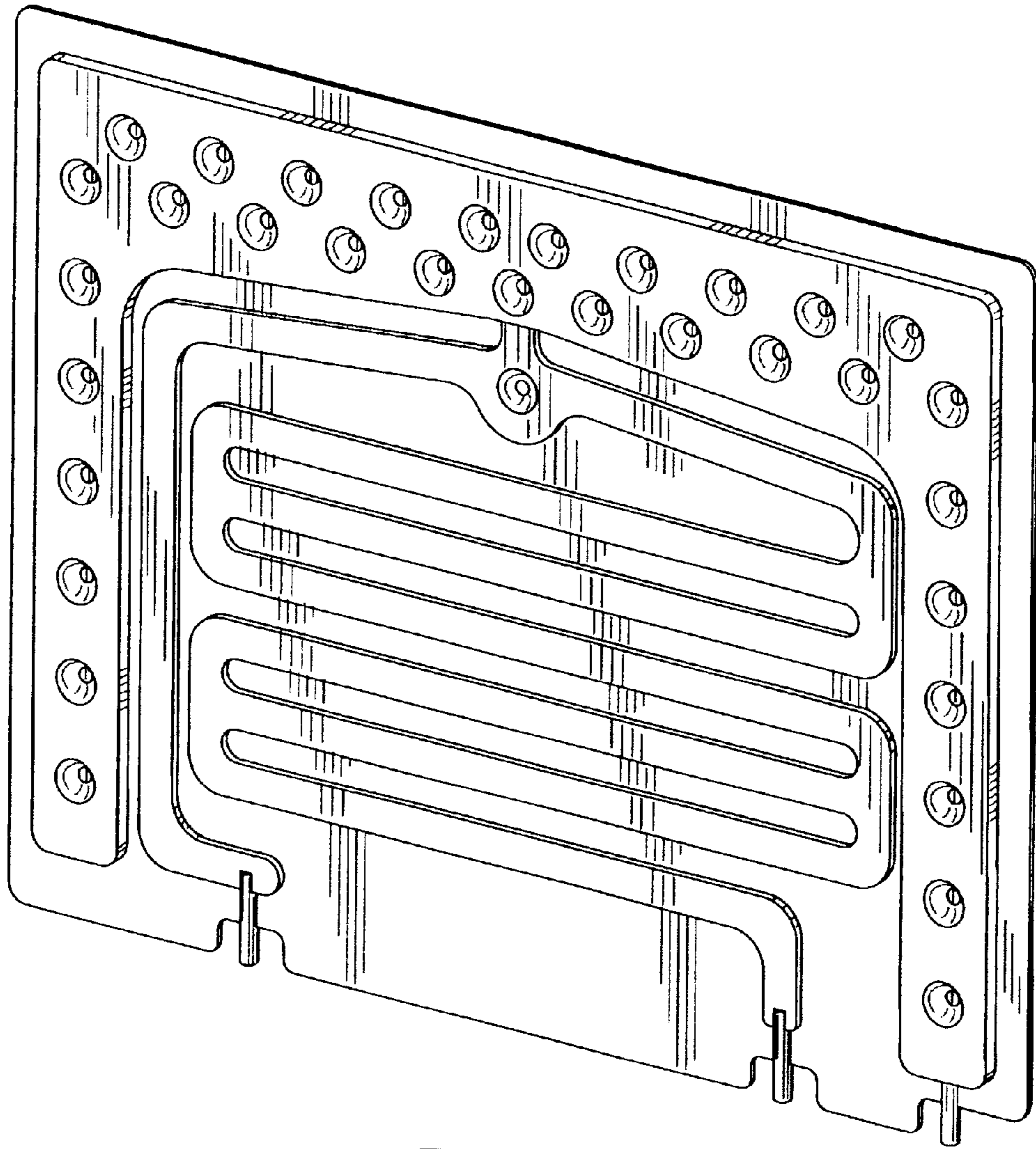


FIG. 1

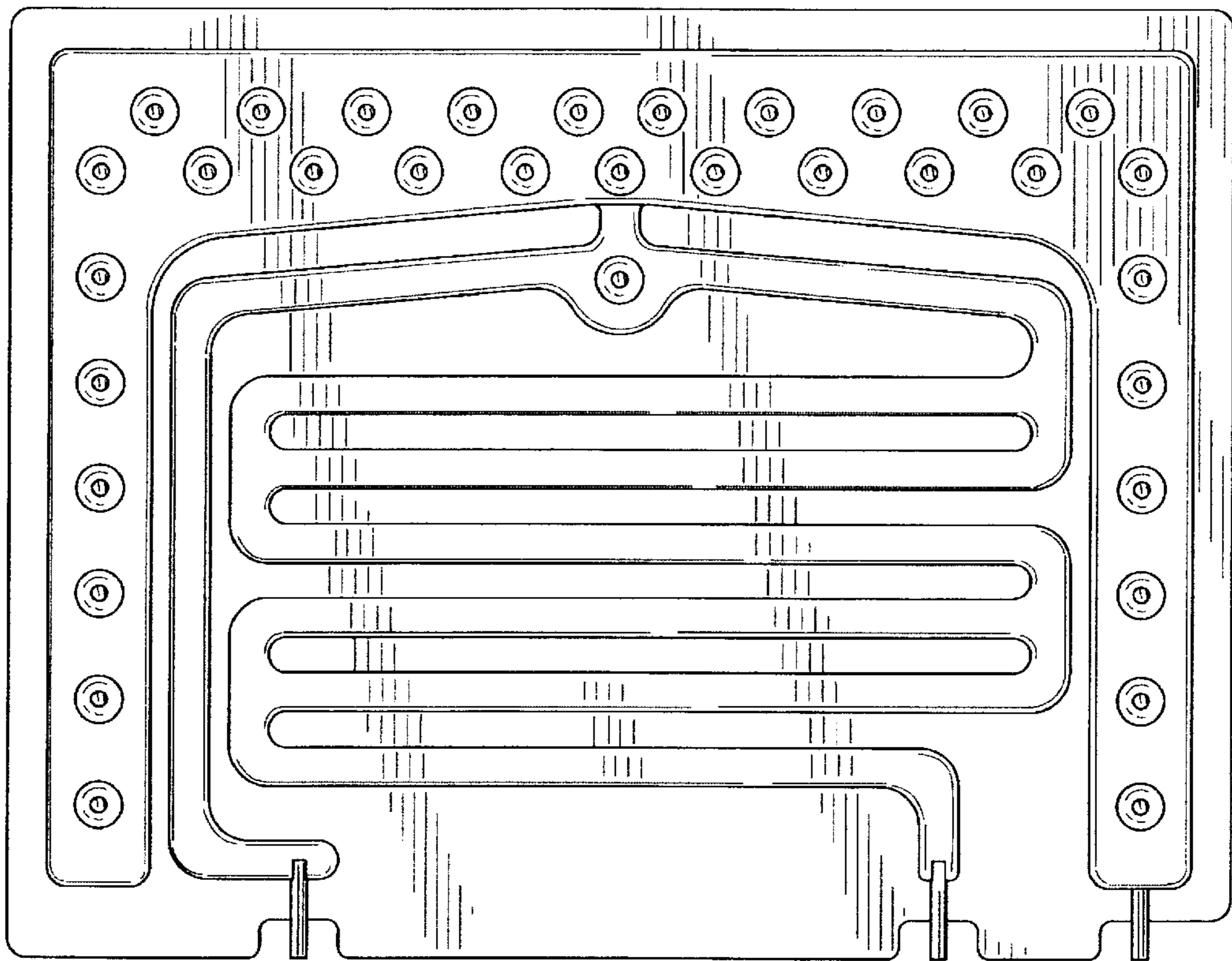


FIG. 2

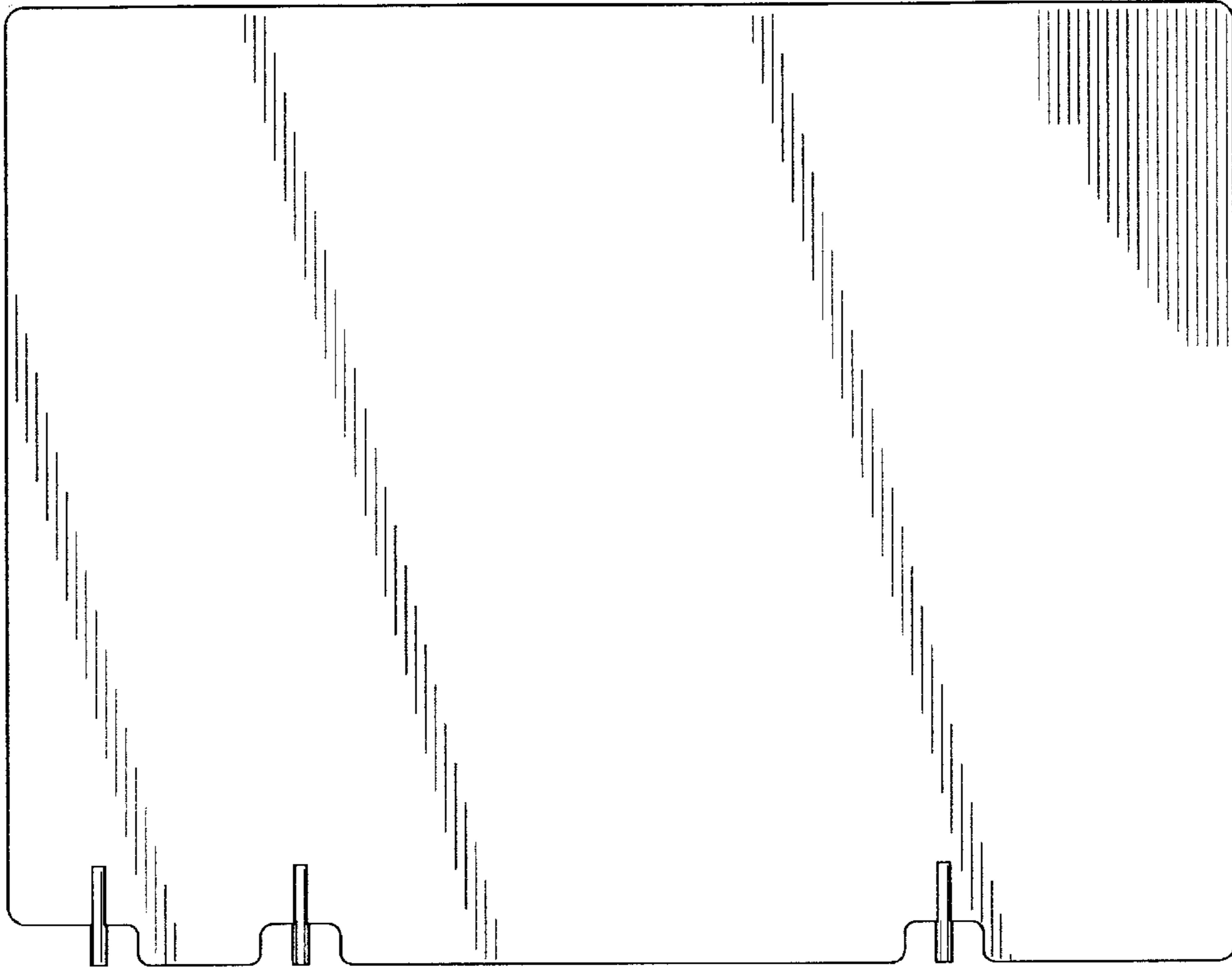


FIG. 3

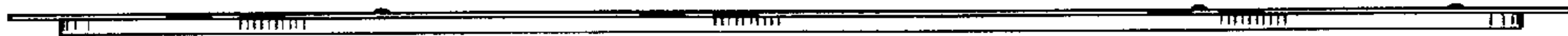


FIG. 4

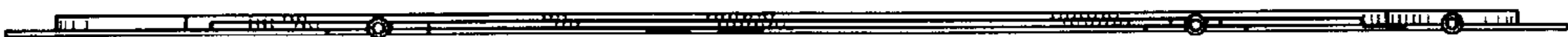


FIG. 5



FIG. 6



FIG. 7