



US00D486452S

(12) **United States Design Patent**  
**Dinh**

(10) **Patent No.:** **US D486,452 S**

(45) **Date of Patent:** **\*\* Feb. 10, 2004**

(54) **DUAL HINGE WEATHERPROOF OUTDOOR BOX**

(75) **Inventor:** **Cong Thanh Dinh**, Collierville, TN (US)

(73) **Assignee:** **Thomas & Betts International, Inc.**, Sparks, NV (US)

(\*\*) **Term:** **14 Years**

(21) **Appl. No.:** **29/175,010**

(22) **Filed:** **Jan. 28, 2003**

(51) **LOC (7) Cl.** ..... **13-03**

(52) **U.S. Cl.** ..... **D13/156**

(58) **Field of Search** ..... D13/154, 156,  
D13/152, 184; 439/155, 135; 220/242;  
174/64, 66, 67

(56) **References Cited**

**U.S. PATENT DOCUMENTS**

D312,244 S	*	11/1990	Collins et al.	.....	D13/152
D320,796 S	*	10/1991	Smith	.....	D14/240
5,218,169 A	*	6/1993	Riceman	.....	174/67
D337,313 S	*	7/1993	Davis	.....	D13/184
D342,233 S	*	12/1993	Berlin et al.	.....	D13/156
5,280,135 A	*	1/1994	Berlin et al.	.....	174/67
5,317,108 A	*	5/1994	Prairie, Jr.	.....	174/67
D395,283 S	*	6/1998	Monaco et al.	.....	D13/156
5,773,760 A	*	6/1998	Stark et al.	.....	174/66
D400,507 S	*	11/1998	Monaco	.....	D13/156
D411,826 S	*	7/1999	Lamar et al.	.....	D13/139.6
D418,114 S	*	12/1999	Hayduke et al.	.....	D13/156

\* cited by examiner

*Primary Examiner*—Philip S. Hyder

(74) *Attorney, Agent, or Firm*—Hoffmann & Baron, LLP

(57) **CLAIM**

The ornamental design of a dual hinge weatherproof outdoor box, substantially as shown and described.

**DESCRIPTION**

FIG. 1 is a front perspective view of a dual hinged weatherproof outdoor box showing my new design, having a horizontally hinged configuration.

FIG. 2 is a front elevational showing of the ornamental design for the dual hinge weatherproof outdoor box of FIG. 1.

FIG. 3 is a side elevational showing of the ornamental design for the dual hinge weatherproof outdoor box of FIG. 1.

FIG. 4 is a back elevational showing of the ornamental design for the dual hinge weatherproof outdoor box of FIG. 1.

FIG. 5 is a side elevational showing of the ornamental design for the dual hinge weatherproof outdoor box of FIG. 1.

FIG. 6 is a top elevational showing of the ornamental design for the dual hinge weatherproof outdoor box of FIG. 1.

FIG. 7 is a bottom elevational showing of the ornamental design for the dual hinge weatherproof outdoor box of FIG. 1.

FIG. 8 is a front perspective view of an alternate embodiment of the dual hinged weatherproof outdoor box, having a vertically hinged configuration.

FIG. 9 is a front elevational showing of the ornamental design for the dual hinge weatherproof outdoor box of FIG. 8.

FIG. 10 is a side elevational showing of the ornamental design for the dual hinge weatherproof outdoor box of FIG. 8.

FIG. 11 is a back elevational showing of the ornamental design for the dual hinge weatherproof outdoor box of FIG. 8.

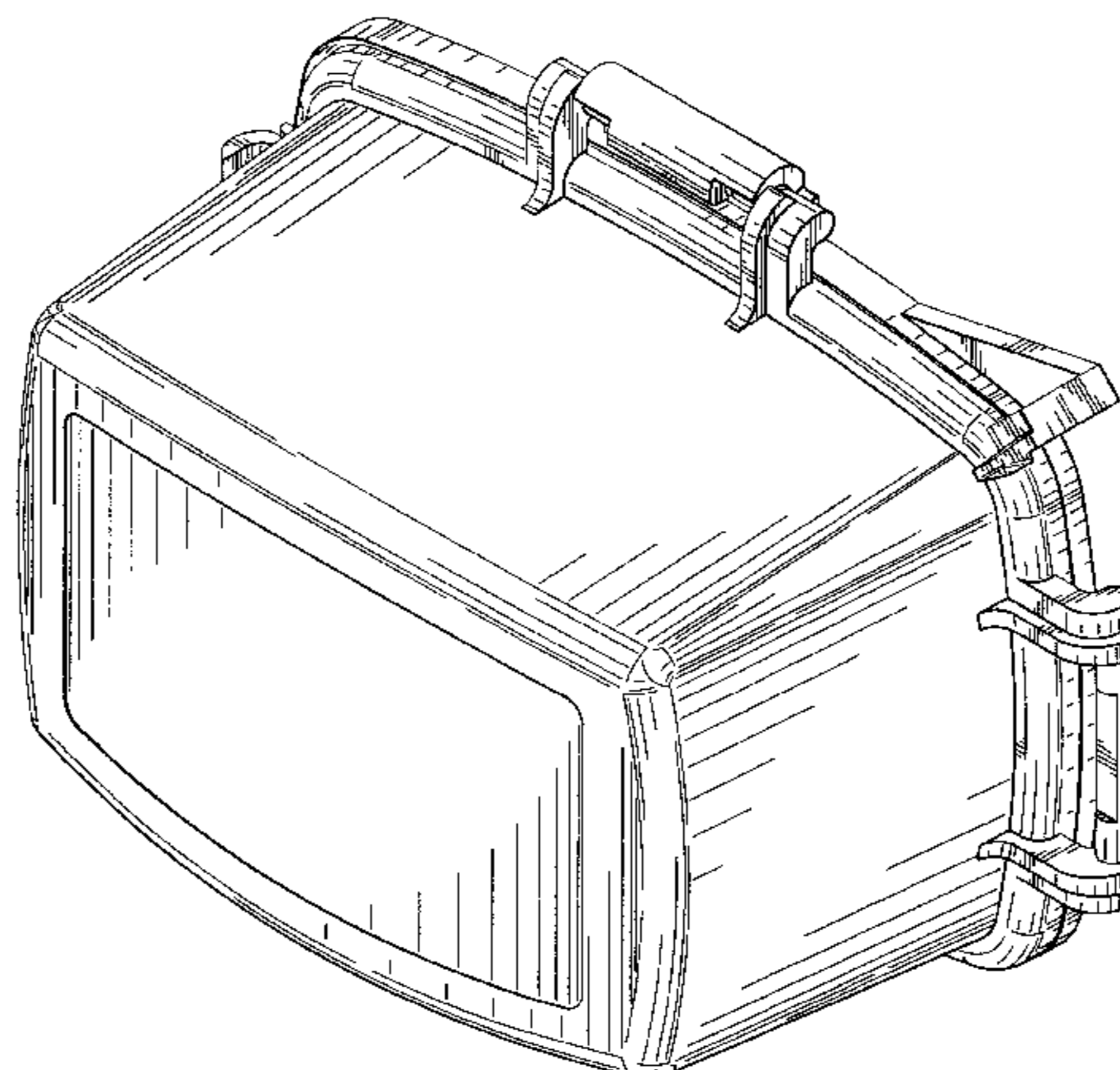
FIG. 12 is a side elevational showing of the ornamental design for the dual hinge weatherproof outdoor box of FIG. 8.

FIG. 13 is a top elevational showing of the ornamental design for the dual hinge weatherproof outdoor box of FIG. 8; and,

FIG. 14 is a bottom elevational showing of the ornamental design for the dual hinge weatherproof outdoor box of FIG. 8.

The broken line portions of the disclosure are for illustrative purposes only and form no part of the claimed design.

**1 Claim, 12 Drawing Sheets**



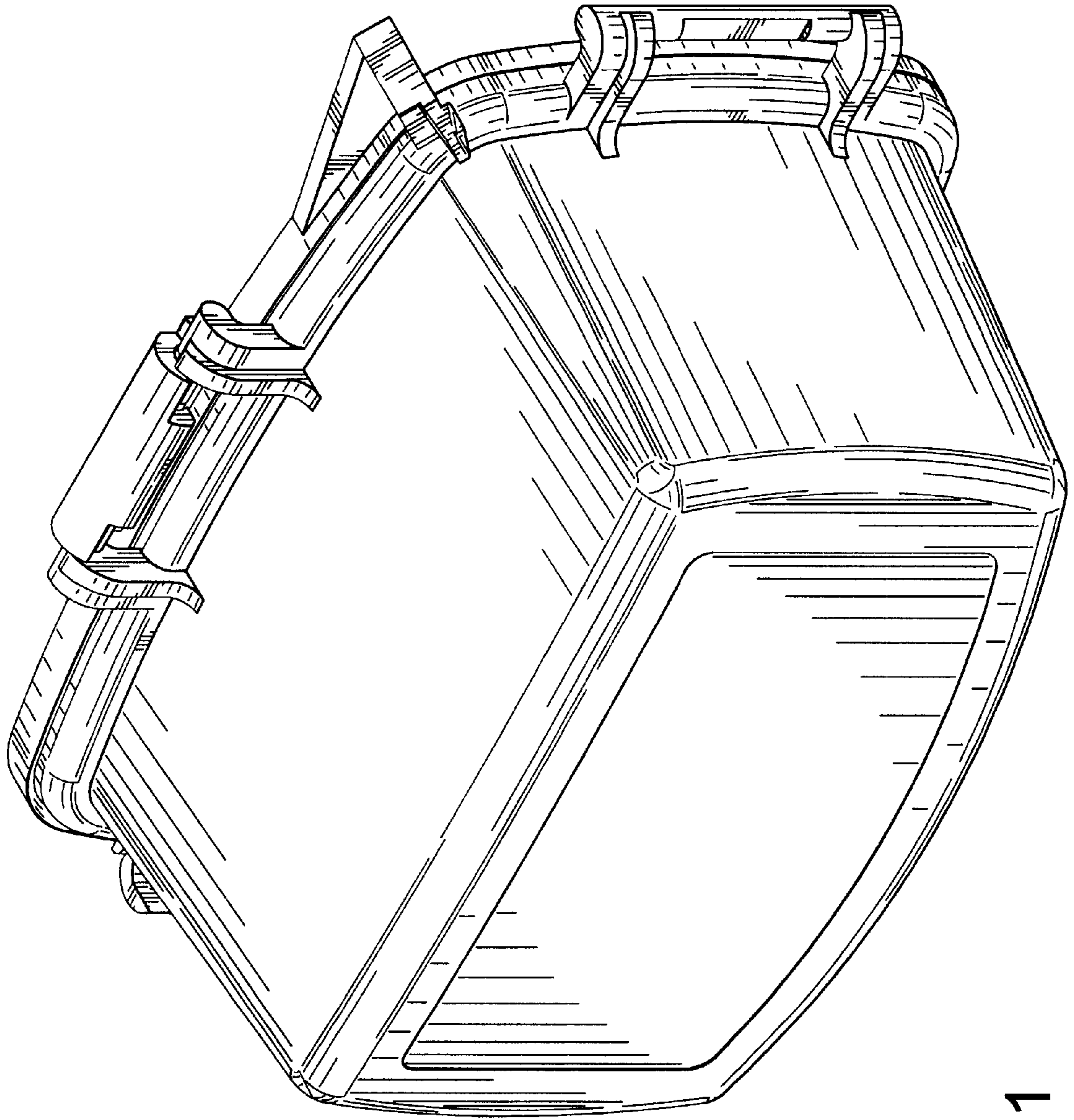


FIG. 1

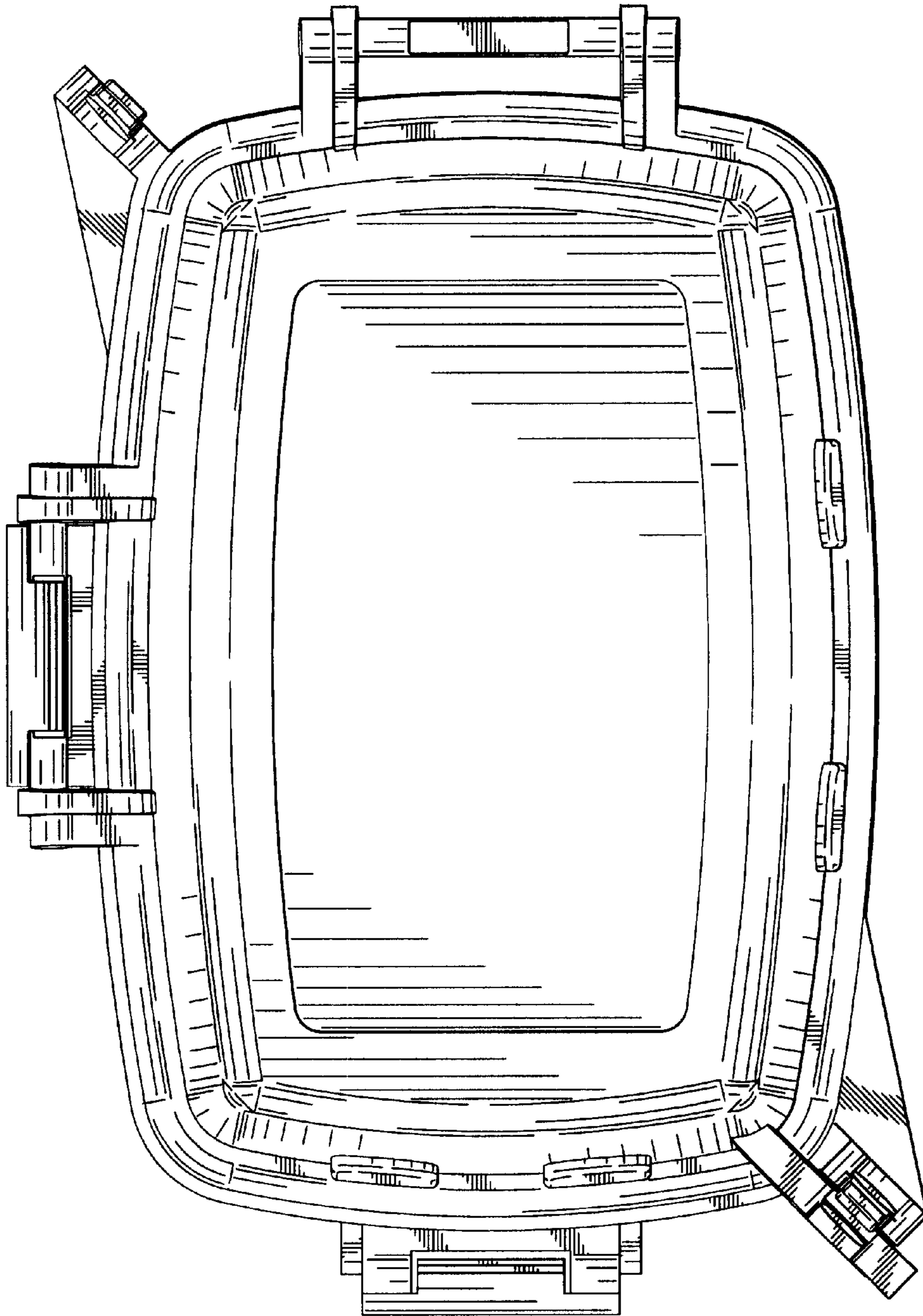


FIG. 2

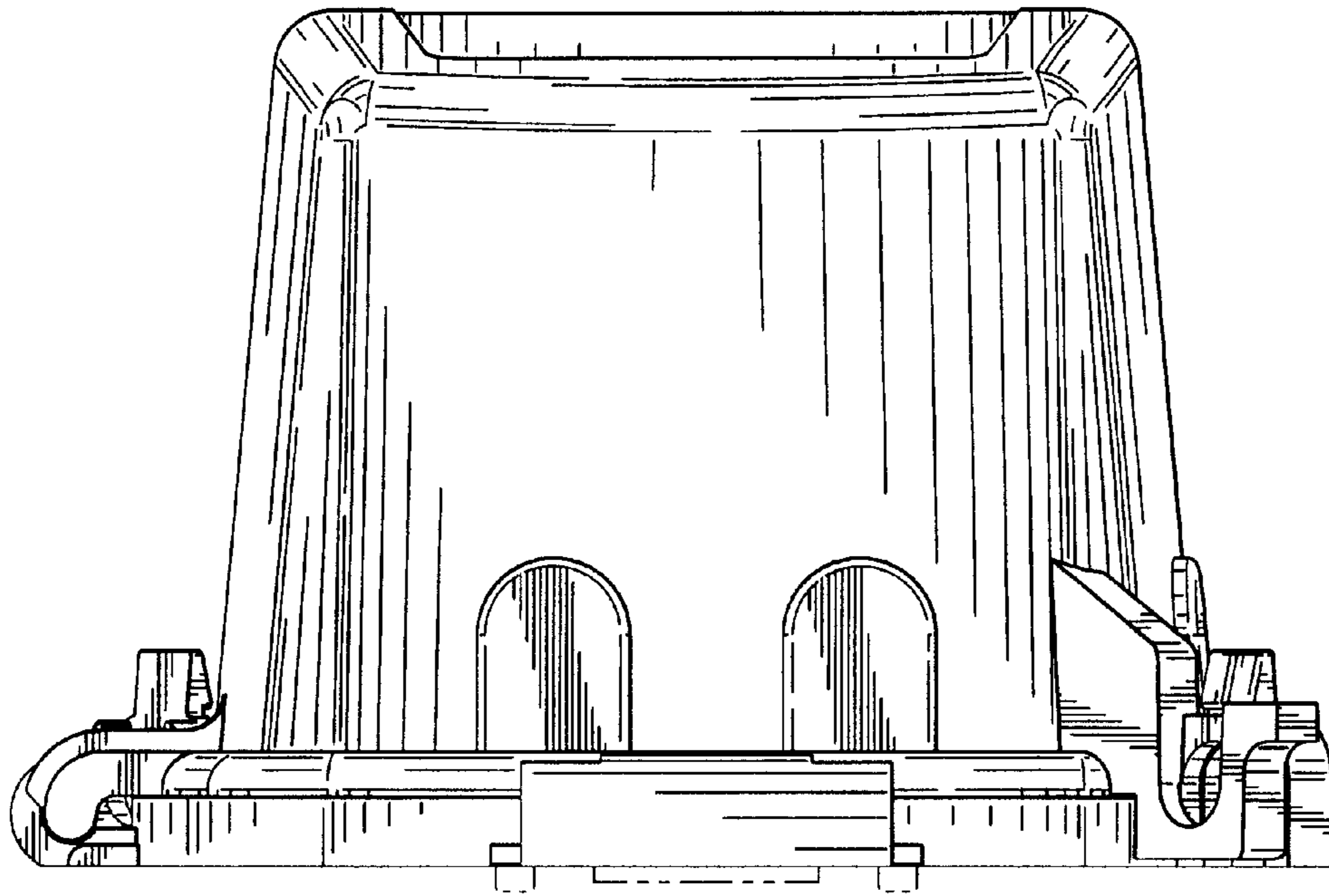


FIG. 5

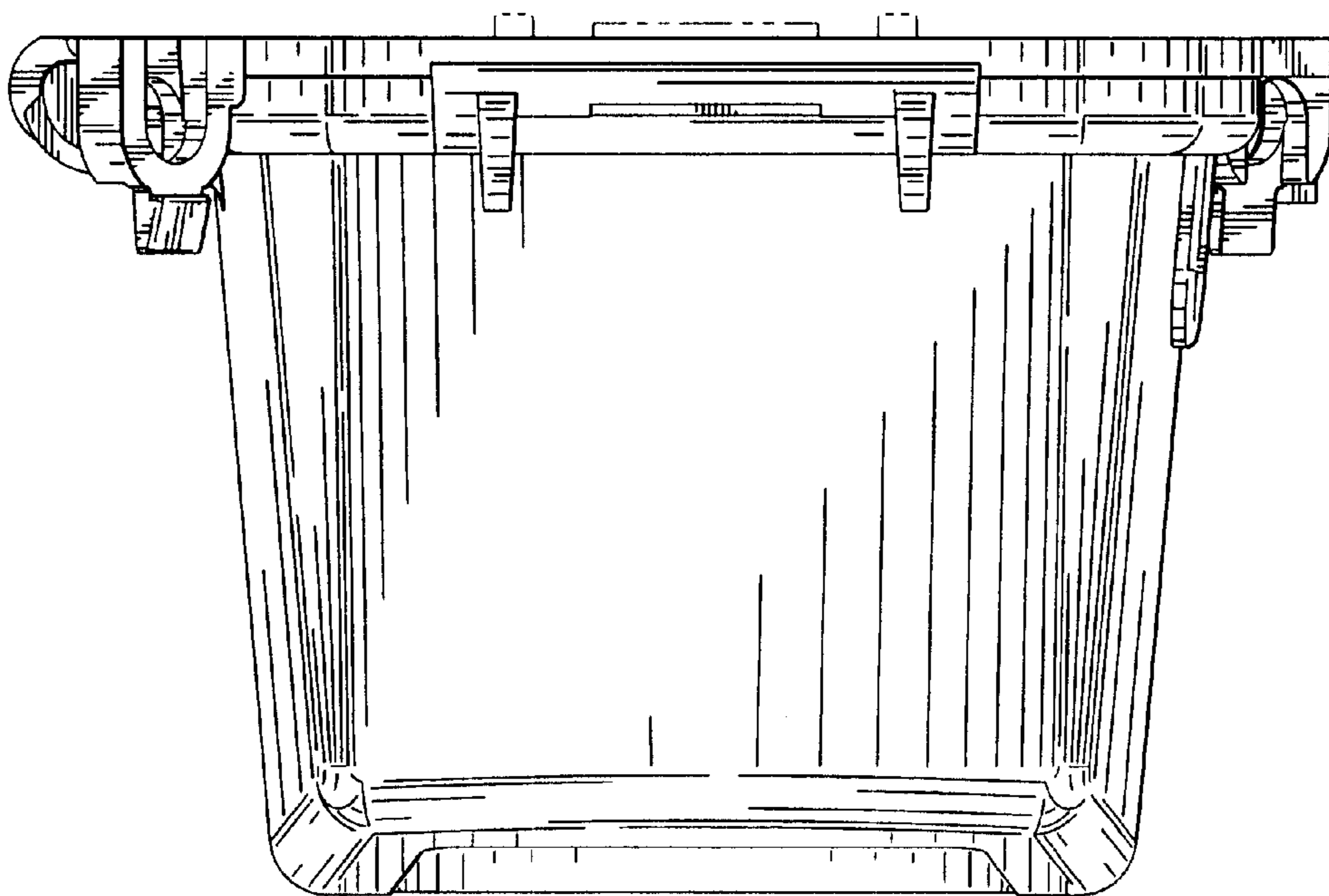


FIG. 3

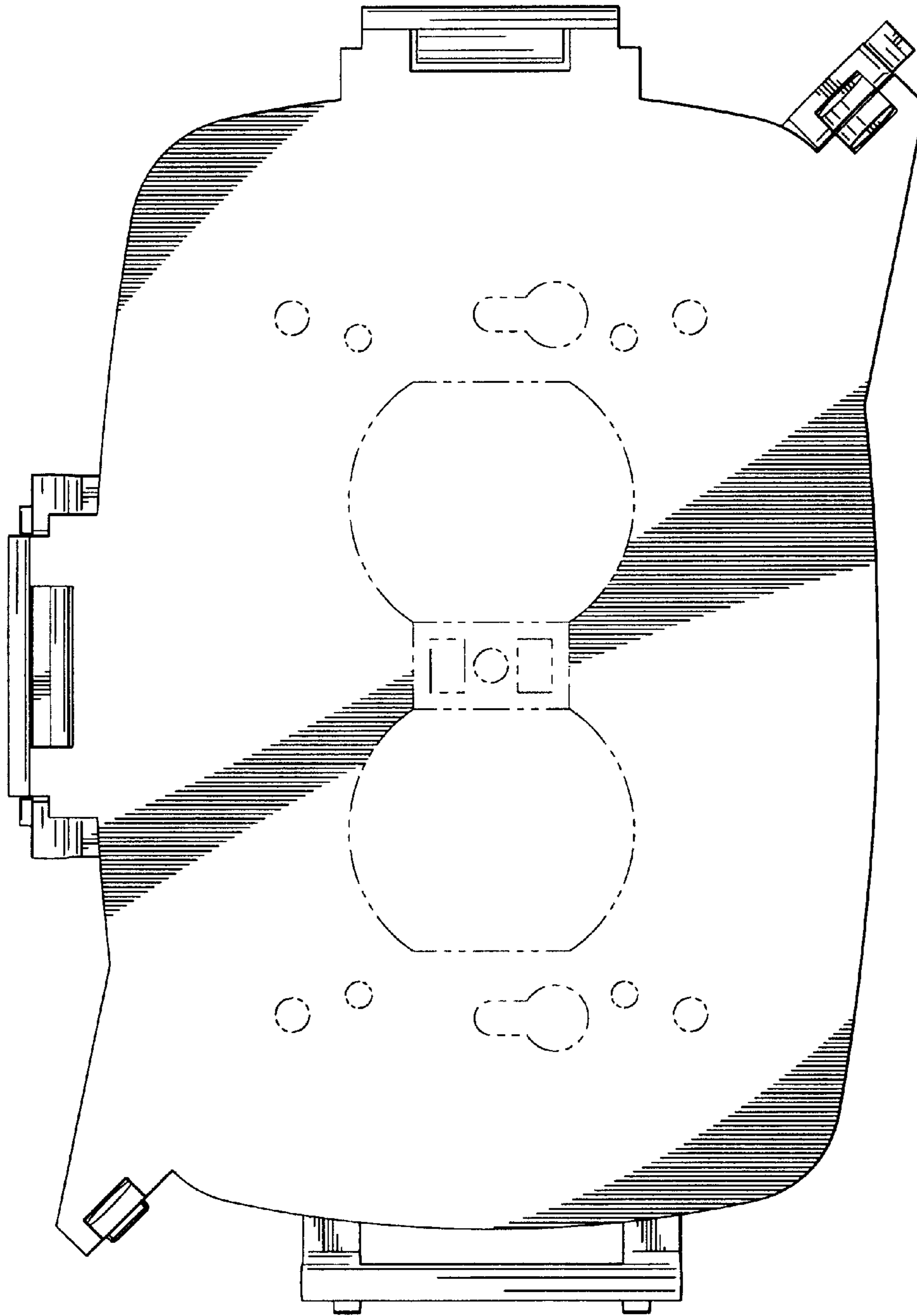


FIG. 4

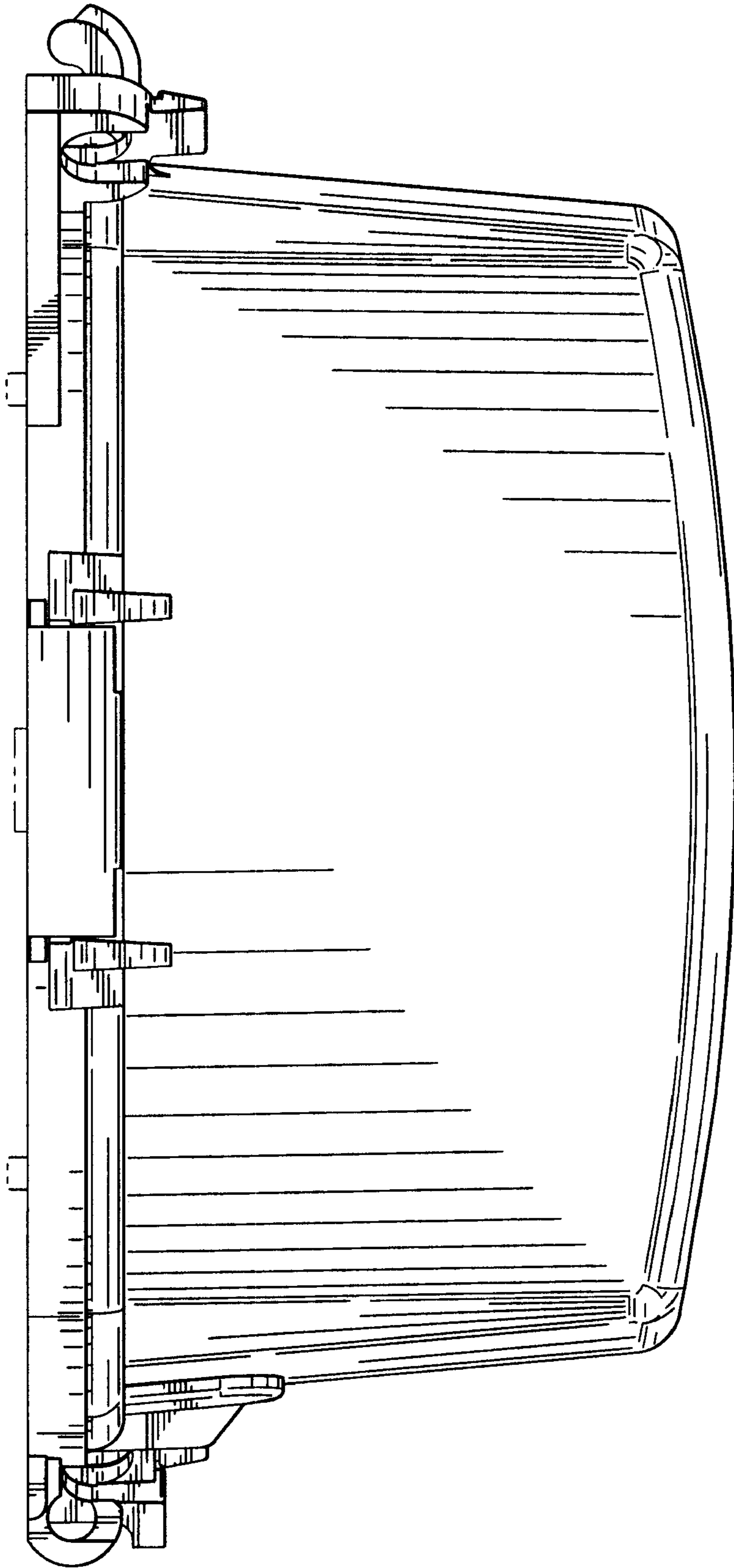


FIG. 6

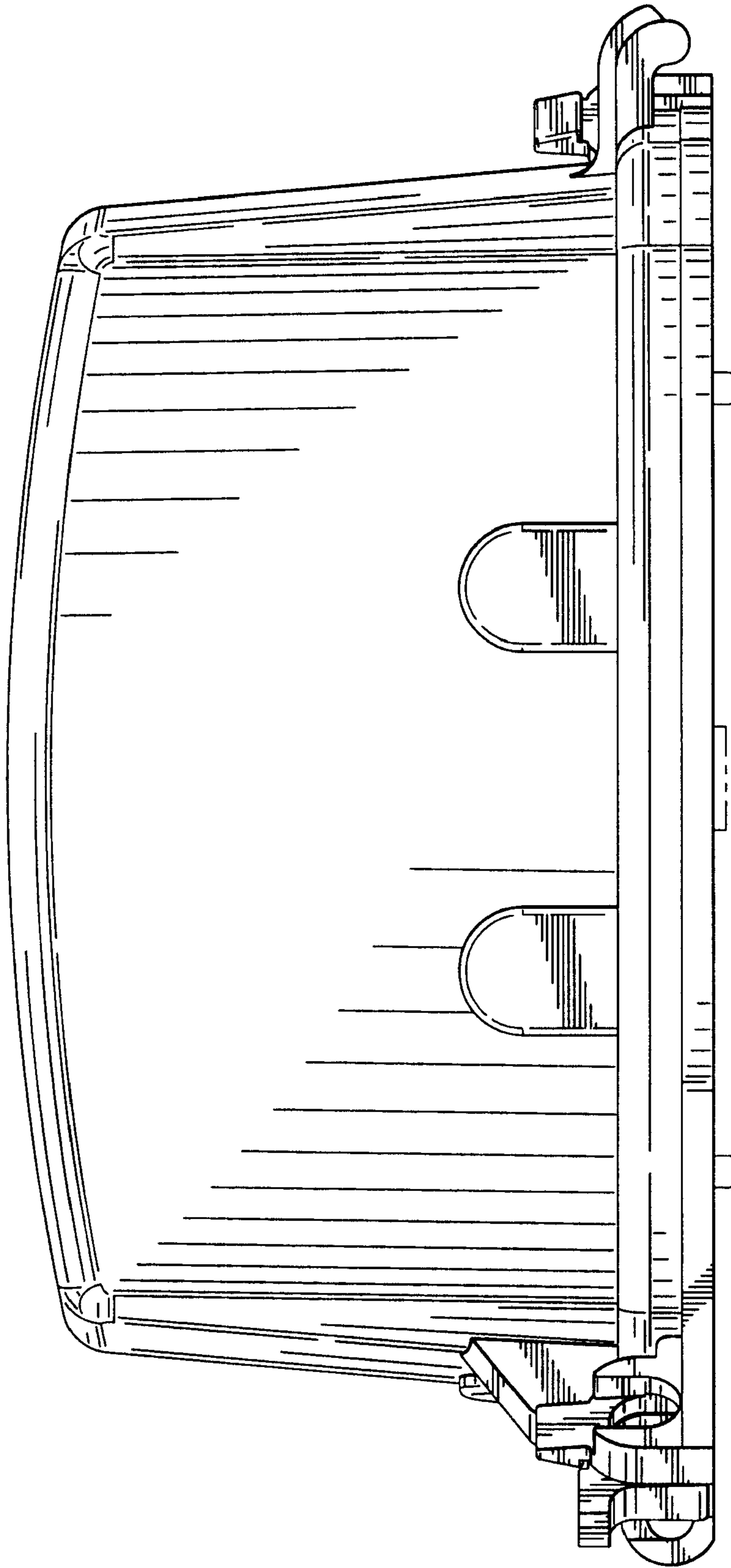


FIG. 7

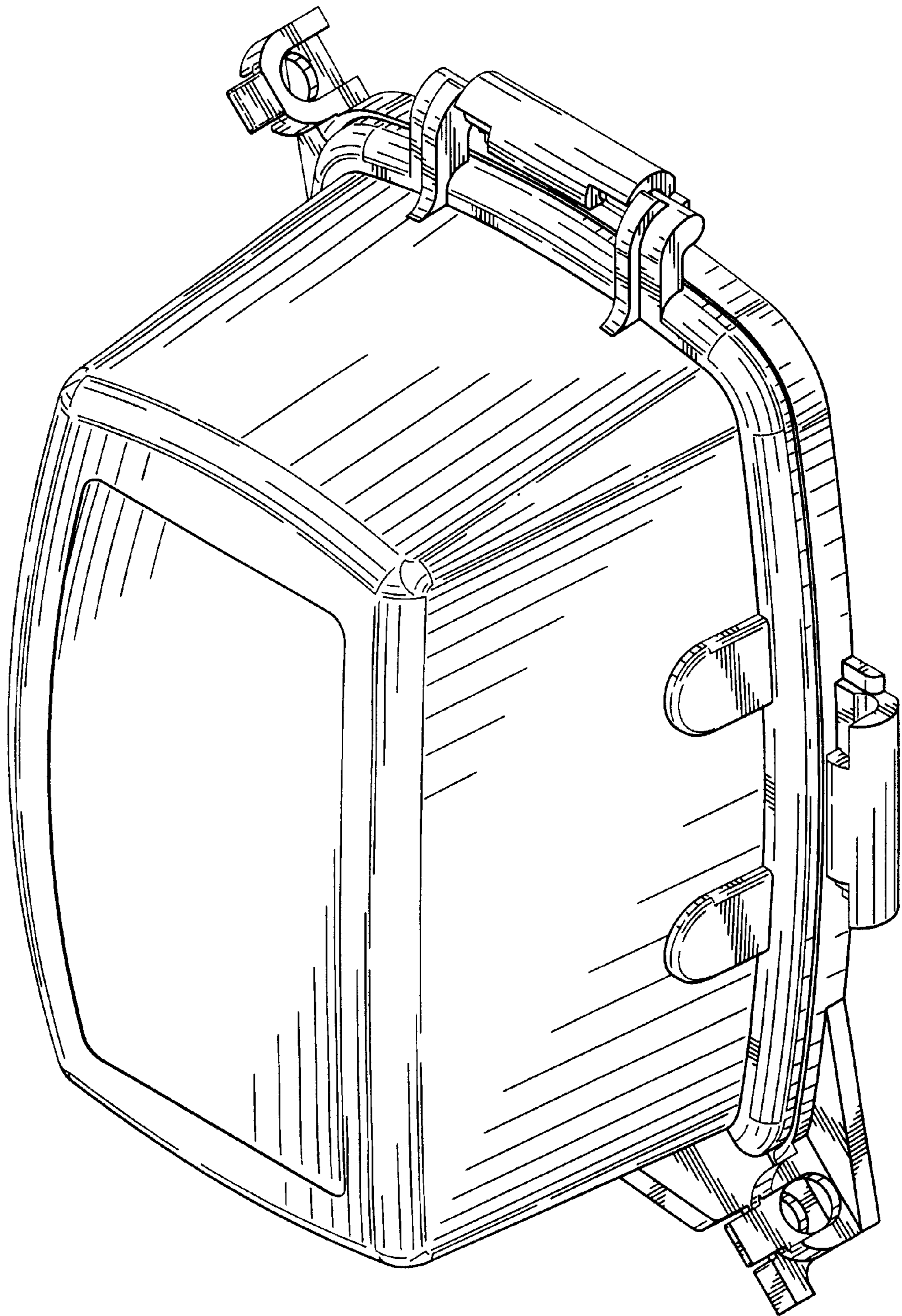


FIG. 8



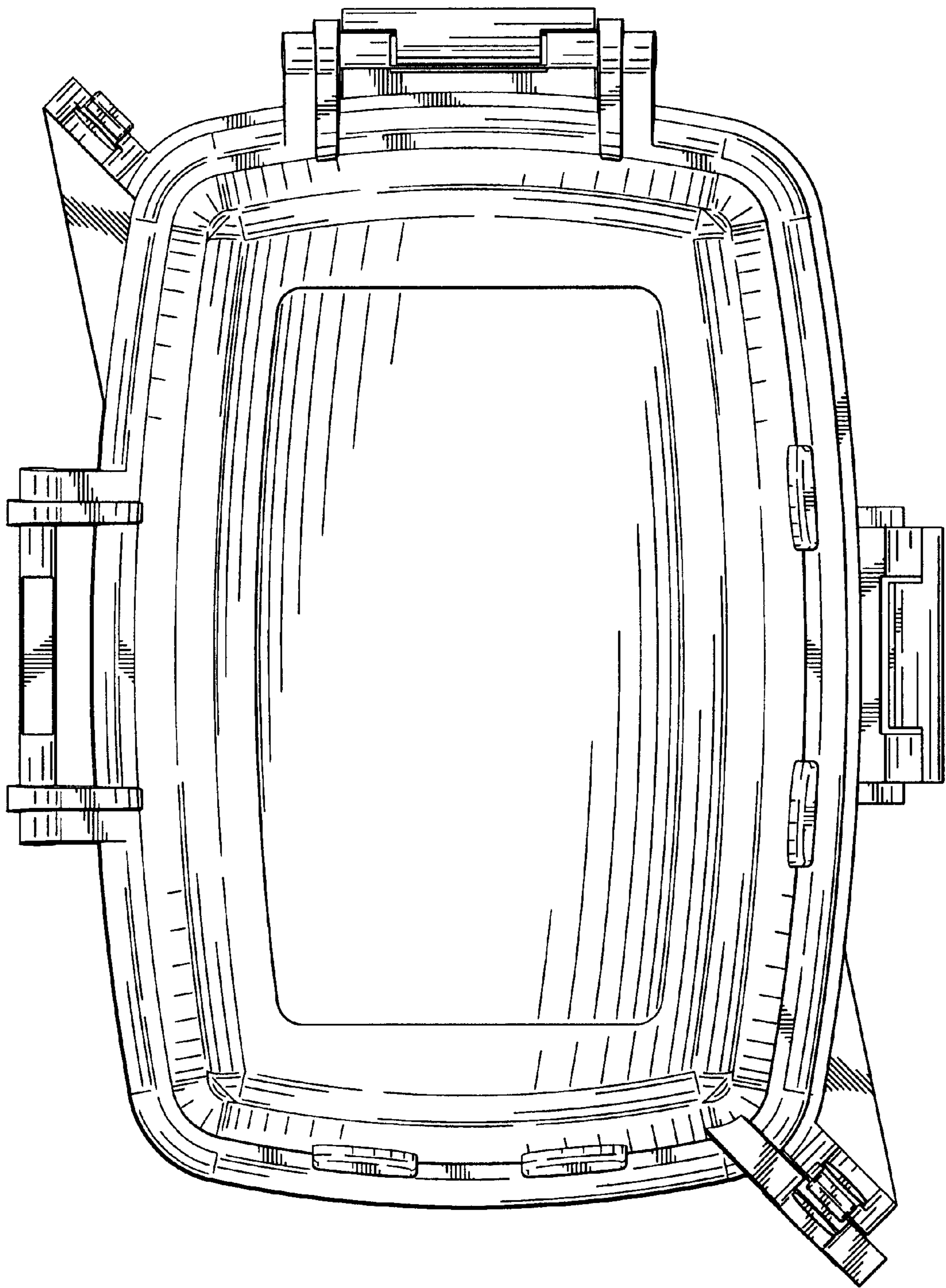


FIG. 9

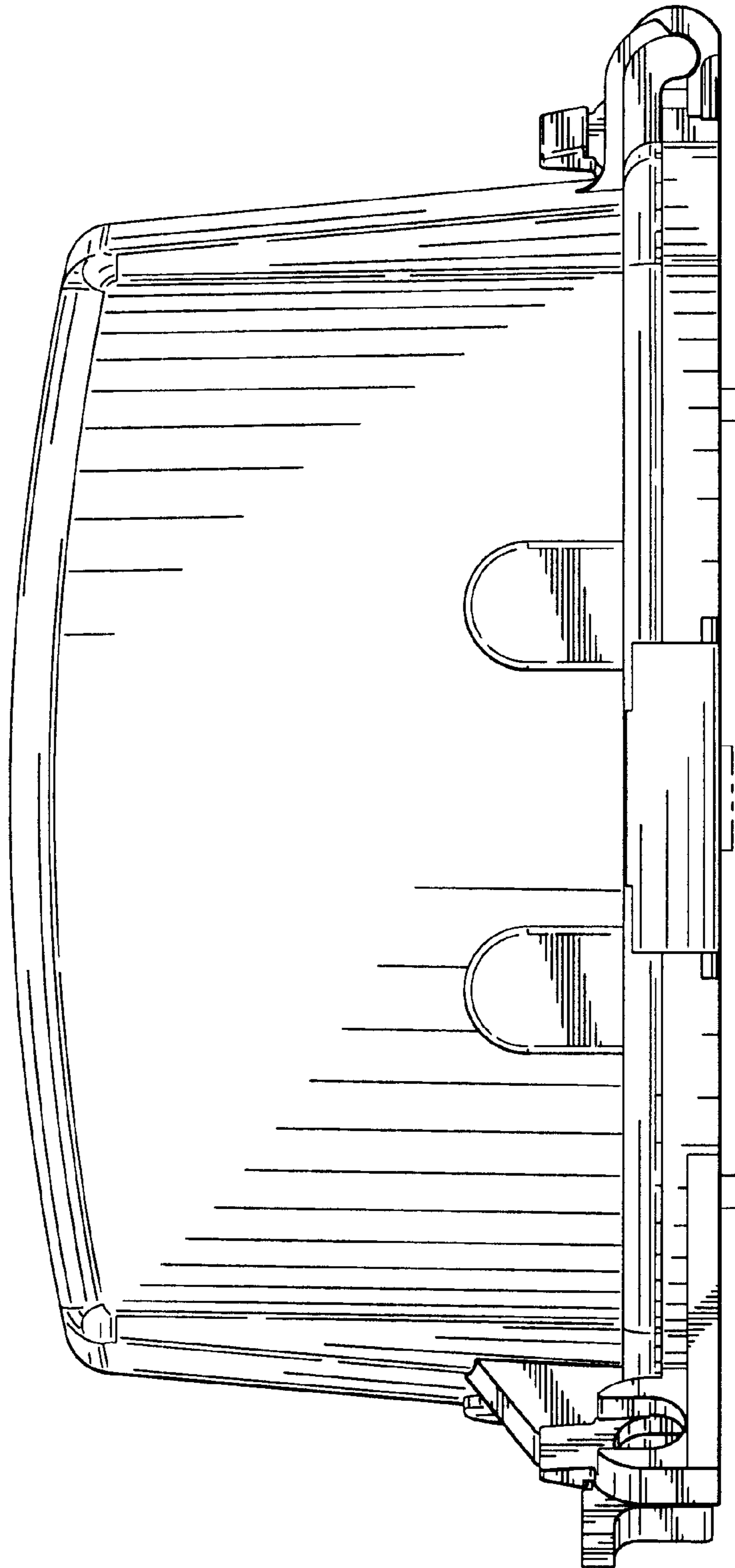


FIG. 10

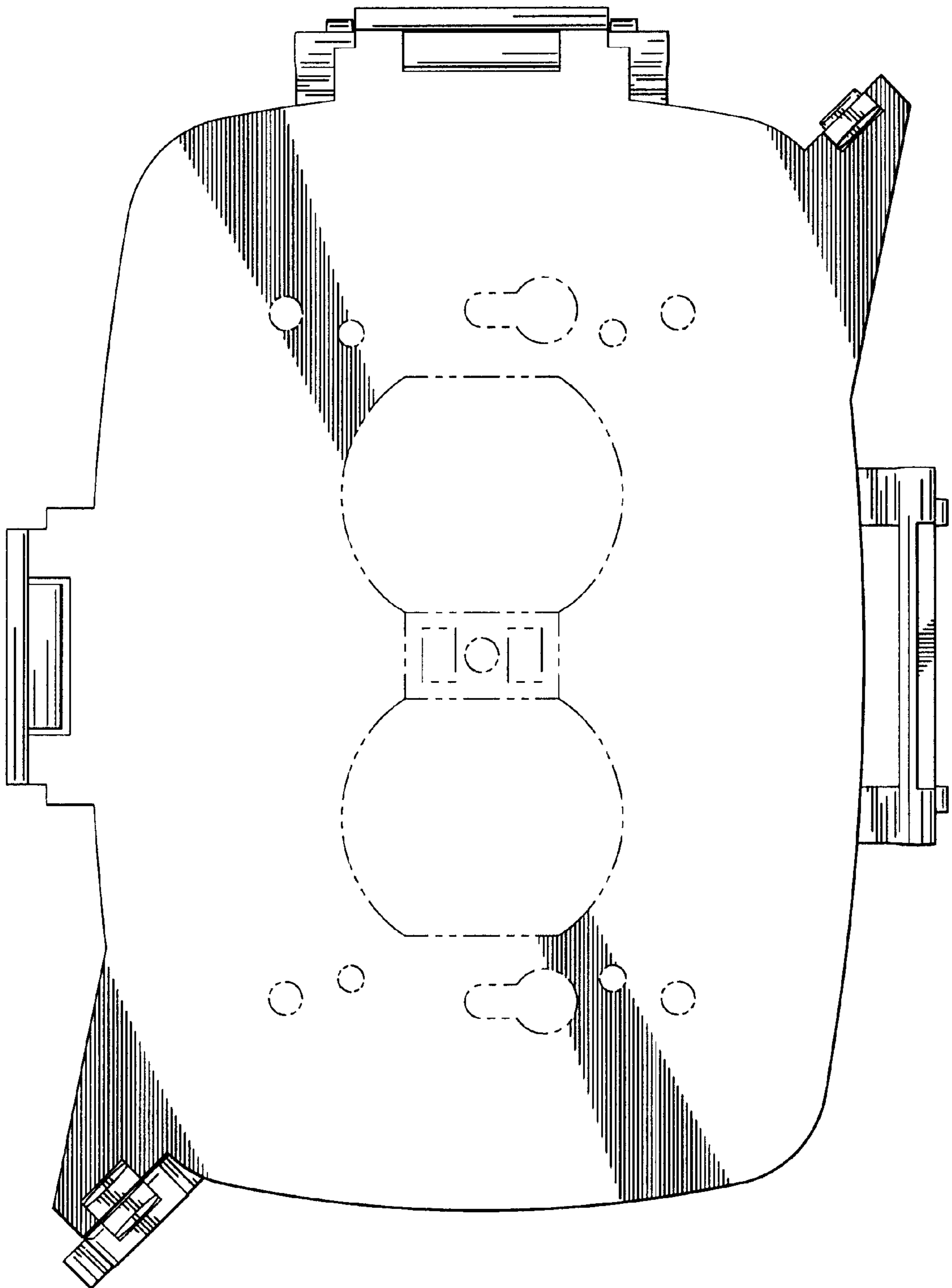


FIG. 11

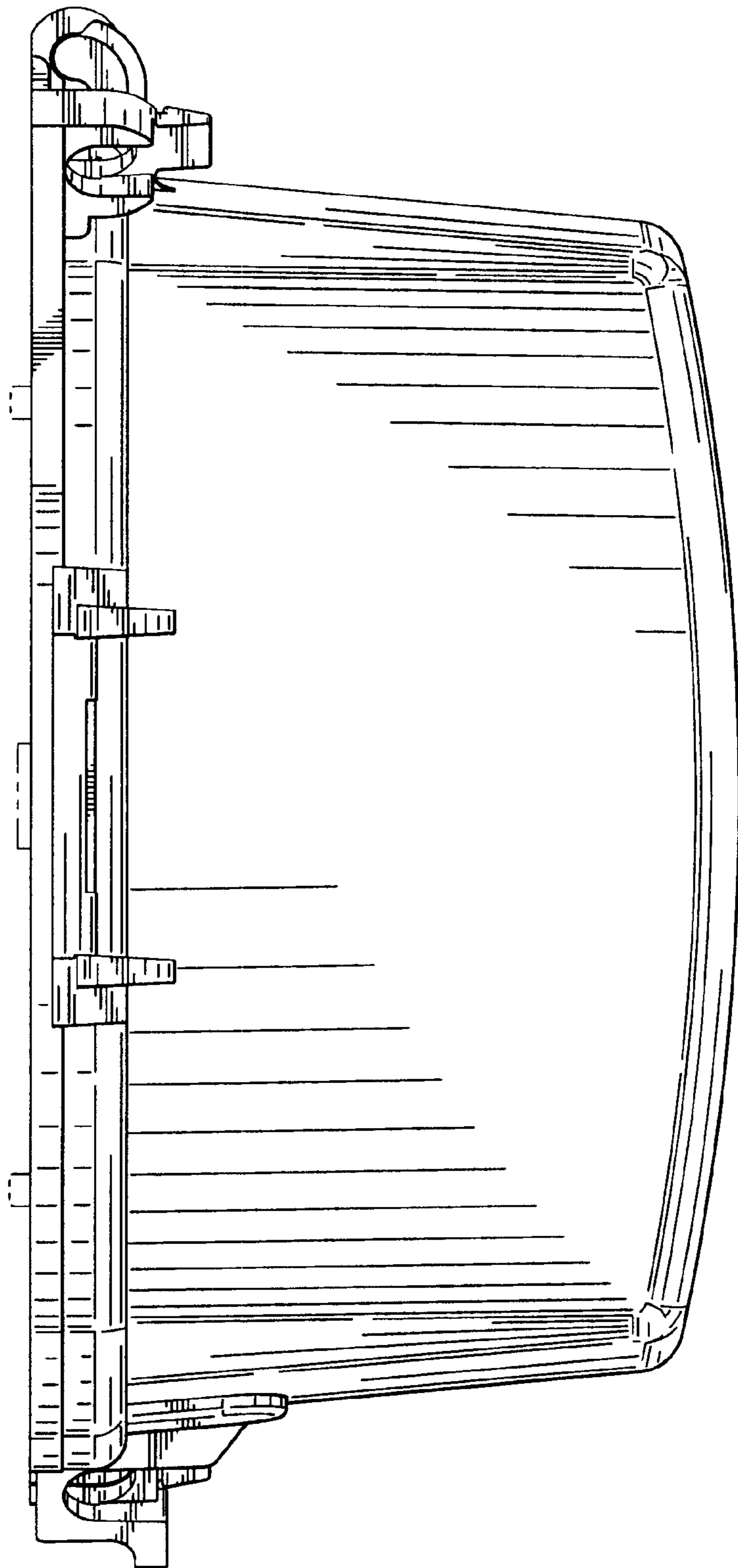


FIG. 12

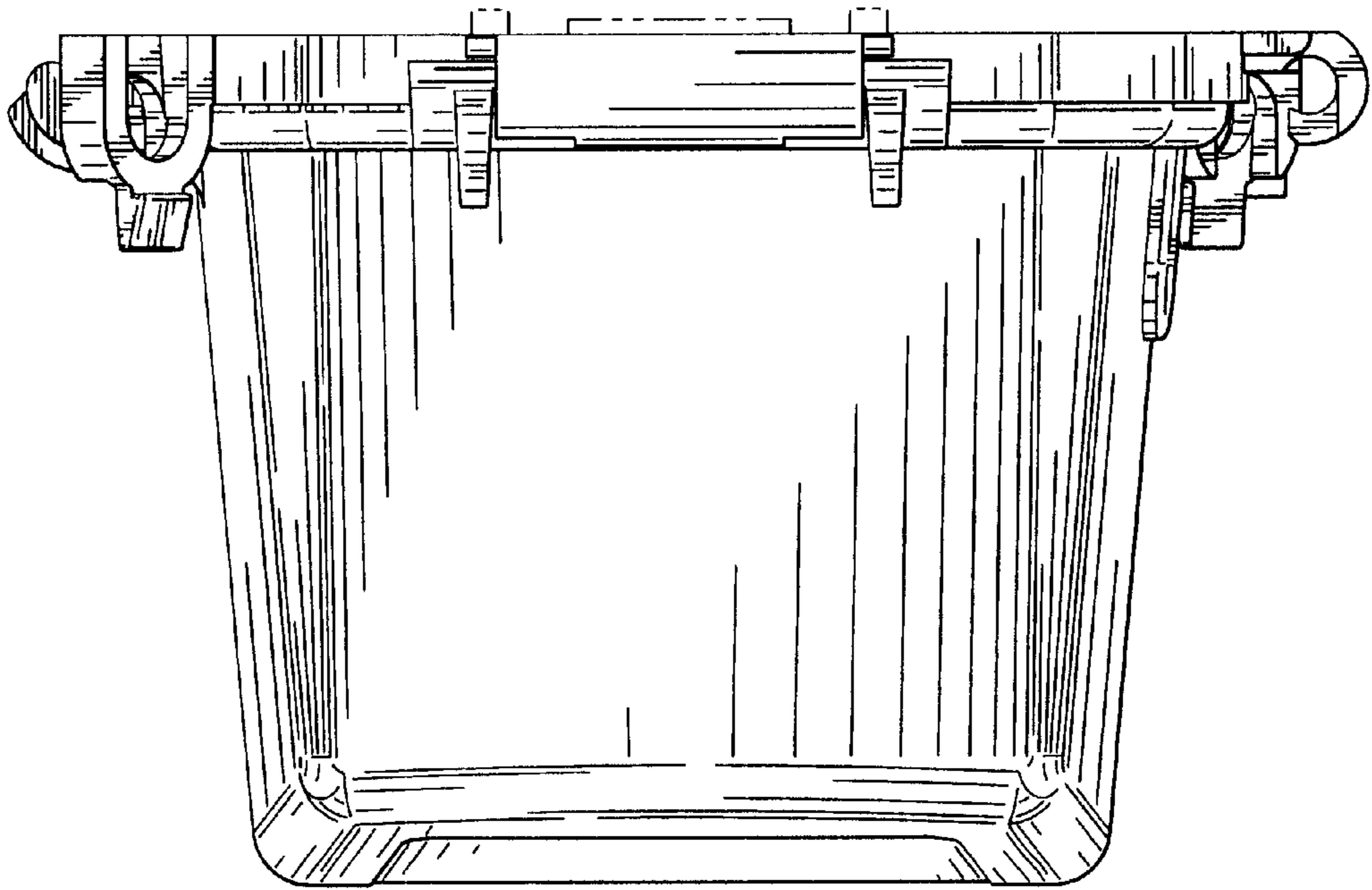


FIG. 13

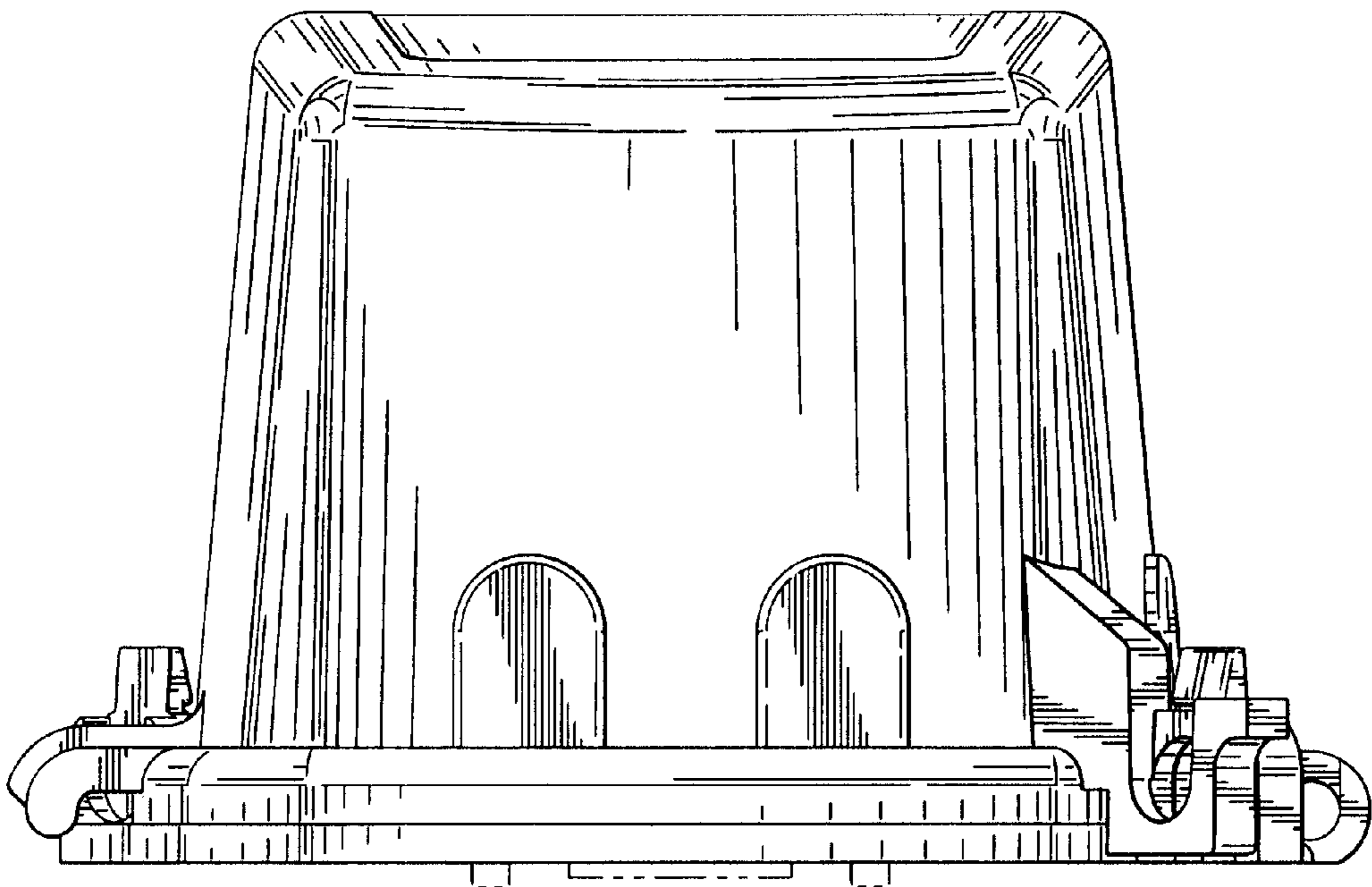


FIG. 14