



US00D486448S

(12) **United States Design Patent**  
**Watanabe et al.**

(10) **Patent No.:** **US D486,448 S**

(45) **Date of Patent:** **\*\* Feb. 10, 2004**

(54) **CONNECTOR TO BATTERY**

6,565,380 B1 \* 5/2003 Park et al. .... 439/500

(75) Inventors: **Tsuneki Watanabe**, Yokohama (JP);  
**Hitoshi Tsubone**, Yokohama (JP)

\* cited by examiner

(73) Assignee: **J.S.T. Mfg. Co., Ltd.**, Osaka (JP)

*Primary Examiner*—Joel Sincavage

(\*\*) Term: **14 Years**

(74) *Attorney, Agent, or Firm*—Armstrong, Kratz, Quintos,  
Hanson & Brooks, LLP

(21) Appl. No.: **29/172,776**

(57) **CLAIM**

(22) Filed: **Dec. 18, 2002**

The ornamental design for a connector to battery, as shown  
and described.

(30) **Foreign Application Priority Data**

**DESCRIPTION**

Jun. 20, 2002 (JP) ..... 2002-016606

FIG. 1 is a perspective view of a connector to battery  
showing our new design;

(51) **LOC (7) Cl.** ..... **13-03**

FIG. 2 is a front elevation view thereof;

(52) **U.S. Cl.** ..... **D13/120; D13/147**

FIG. 3 is a rear elevation view thereof;

(58) **Field of Search** ..... D13/120, 147;  
439/500, 660, 862

FIG. 4 is a top plan view thereof;

FIG. 5 is a bottom plan view thereof;

(56) **References Cited**

FIG. 6 is a right side elevation view thereof; the left side  
elevation view being a mirror image;

**U.S. PATENT DOCUMENTS**

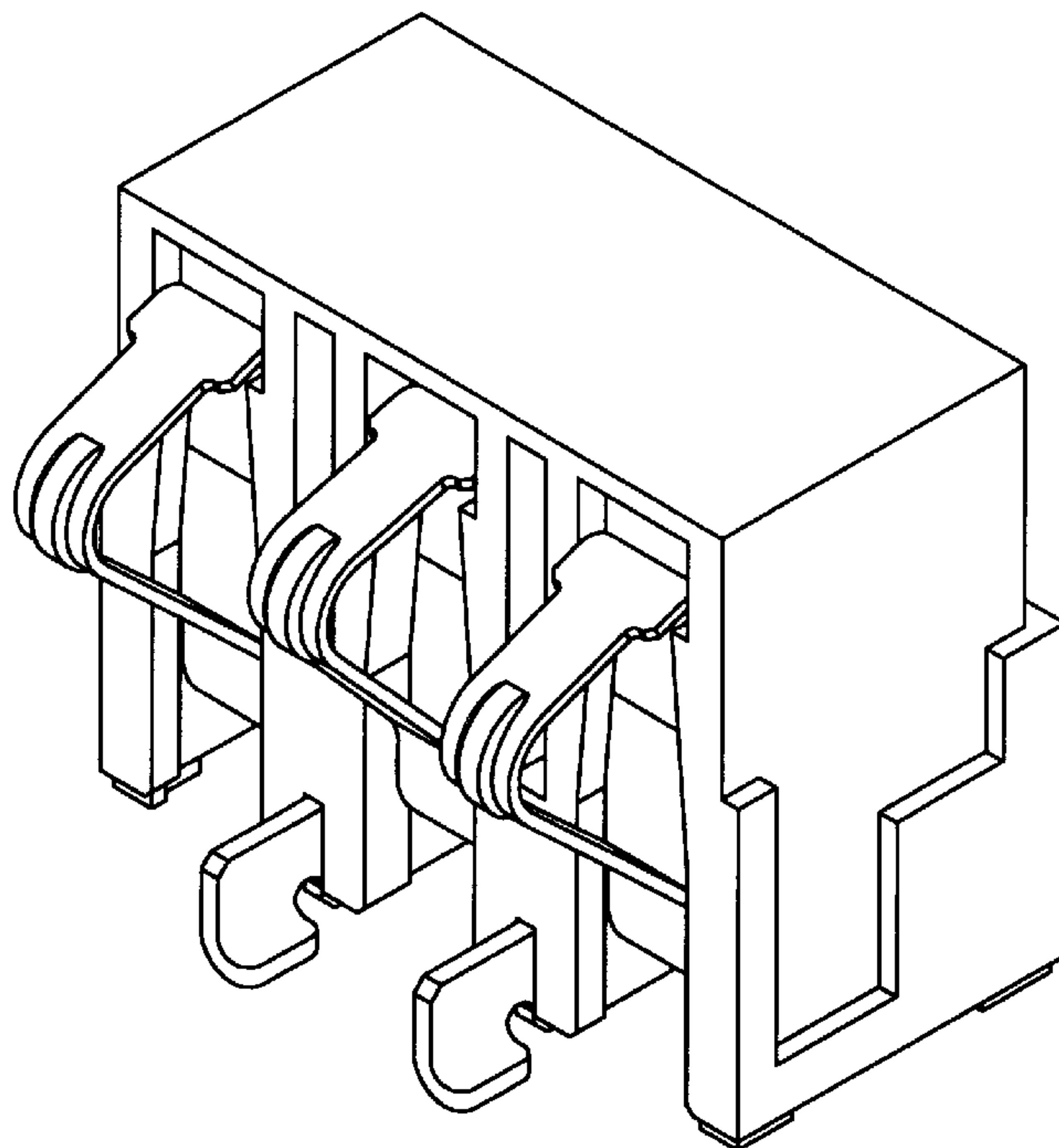
- 5,259,769 A \* 11/1993 Cruise et al. .... 439/862 X
- 5,746,626 A \* 5/1998 Kwiat et al. .... 439/862 X
- 5,909,102 A \* 6/1999 Stone, III et al. .... 320/114
- D419,133 S \* 1/2000 Yoshida et al. .... D13/120
- 6,068,519 A \* 5/2000 Lok ..... 439/660
- 6,077,130 A \* 6/2000 Hughes et al. .... 439/862
- 6,116,956 A \* 9/2000 Wu ..... 439/862 X
- 6,302,727 B1 \* 10/2001 Fedorjaka ..... 439/500
- 6,361,359 B1 \* 3/2002 Du et al. .... 439/500
- D455,126 S \* 4/2002 Wu ..... D13/147

FIG. 7 is a sectional view thereof, taken along line 7—7 of  
FIG. 2;

FIG. 8 is a sectional view thereof, taken along line 8—8 of  
FIG. 2; and,

FIG. 9 is a perspective view of a connector to battery  
showing a corresponding battery for use. The broken lines in  
FIG. 9 are included for the purpose of illustrating environ-  
mental structure only and form no part of the claimed  
design.

**1 Claim, 9 Drawing Sheets**



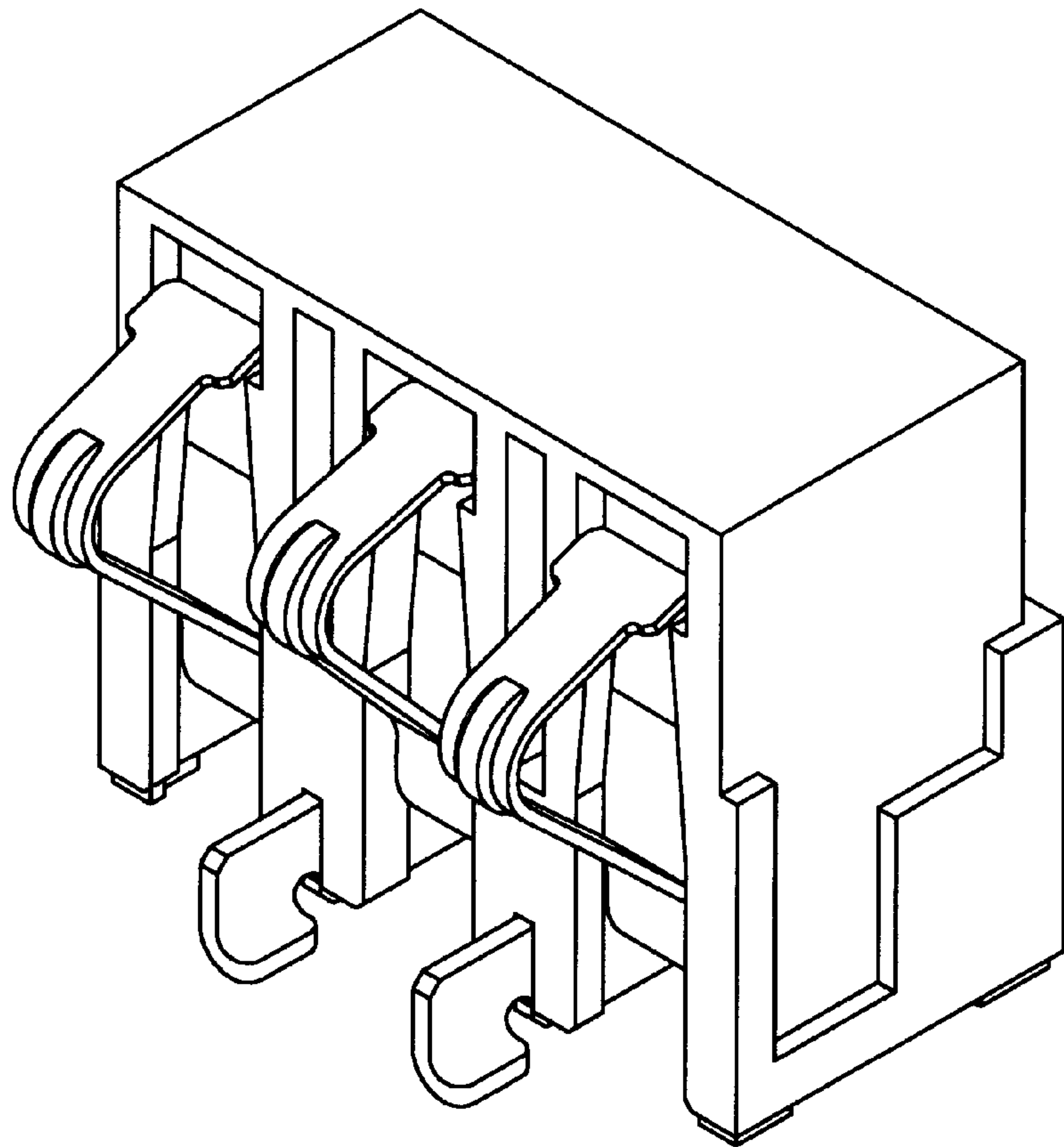
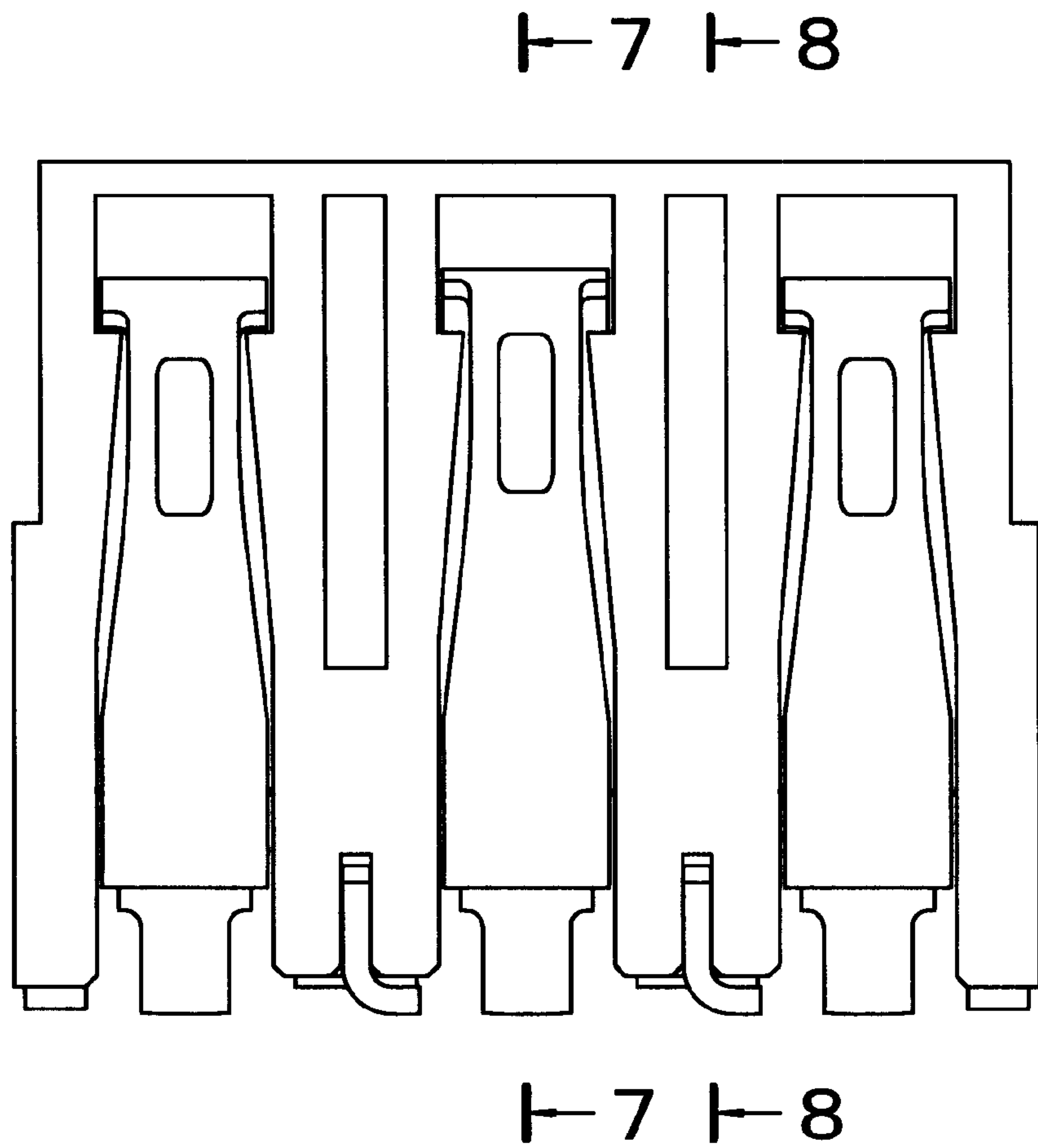
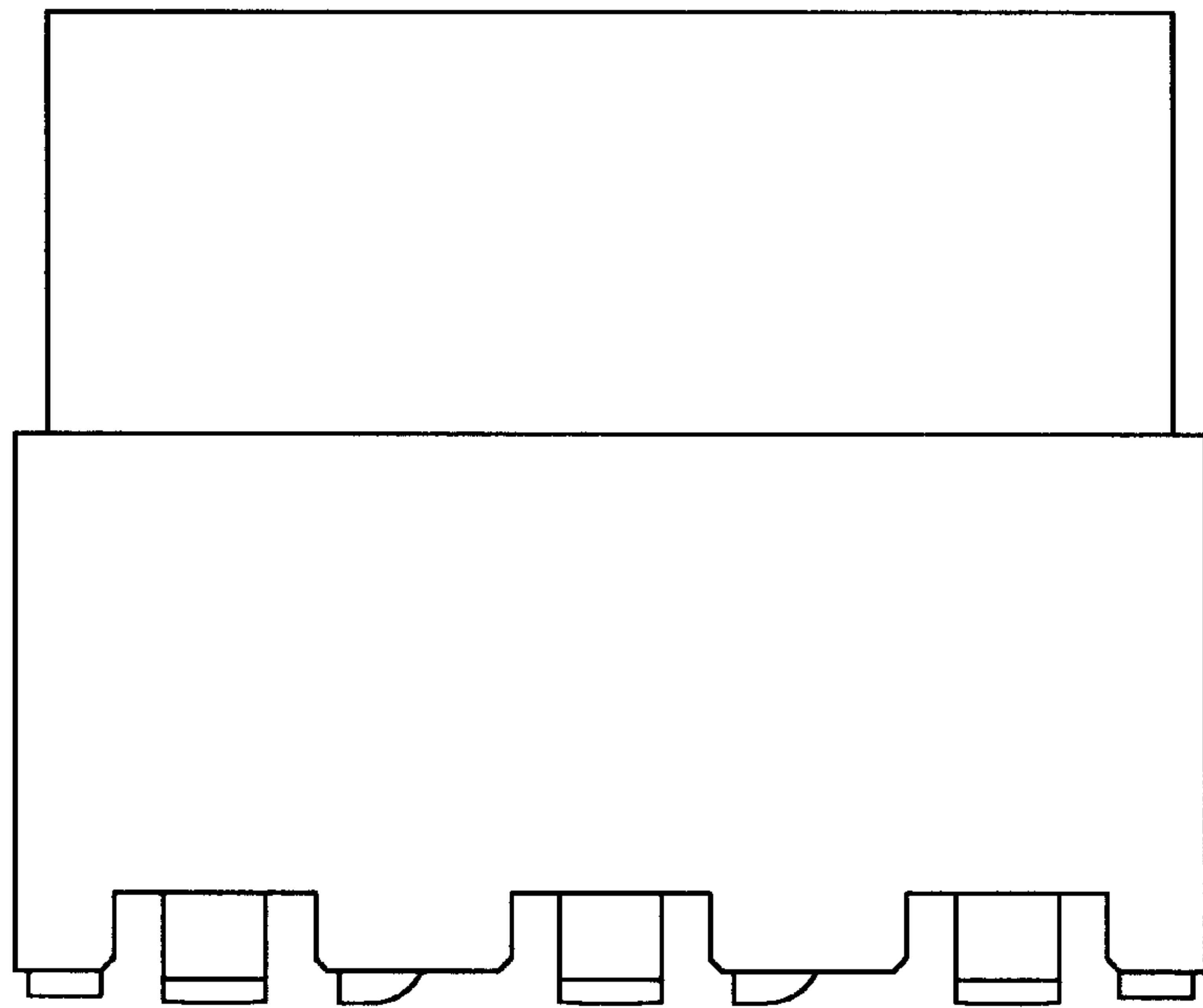


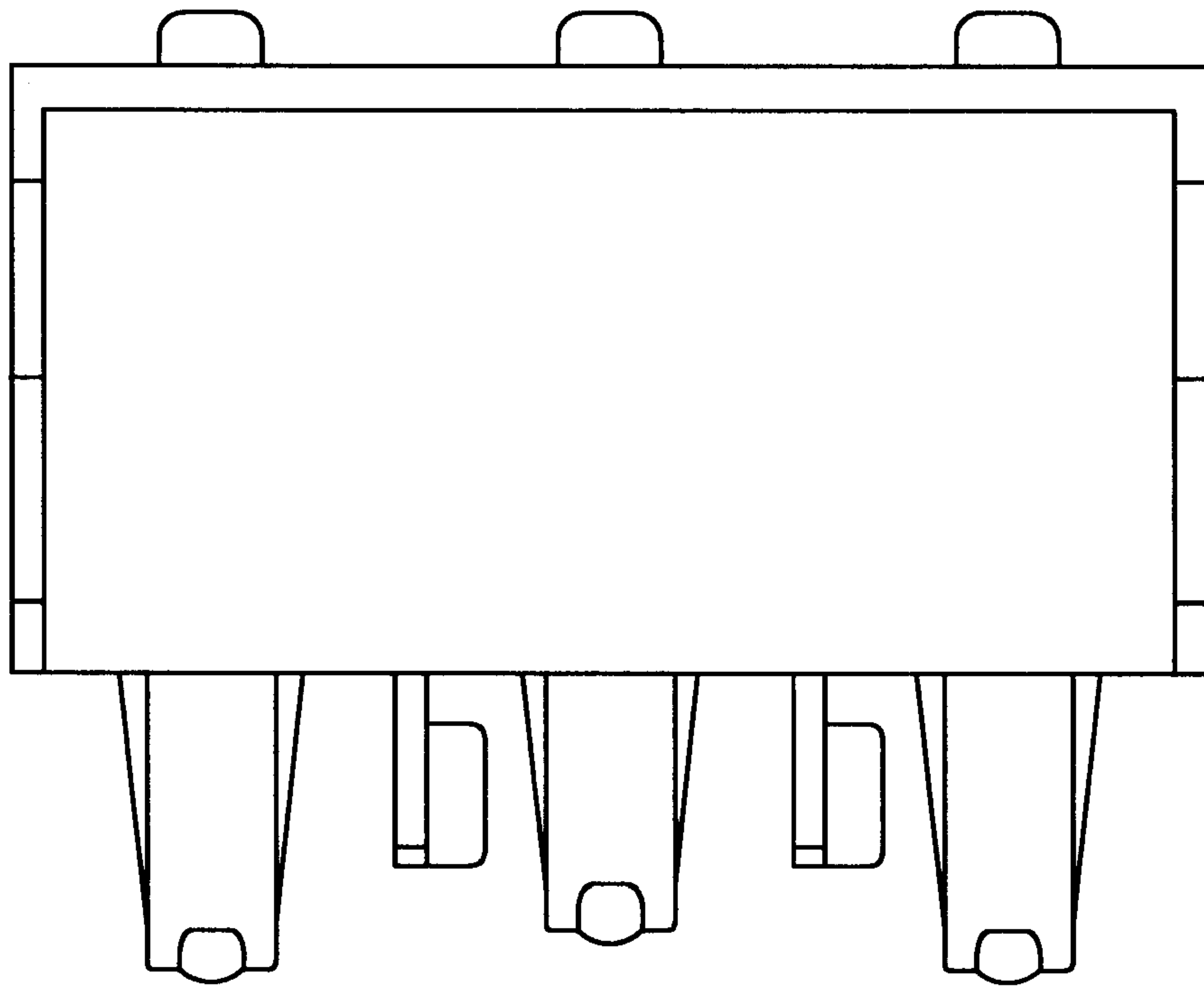
Fig. 1



**Fig. 2**



**Fig. 3**



**Fig. 4**

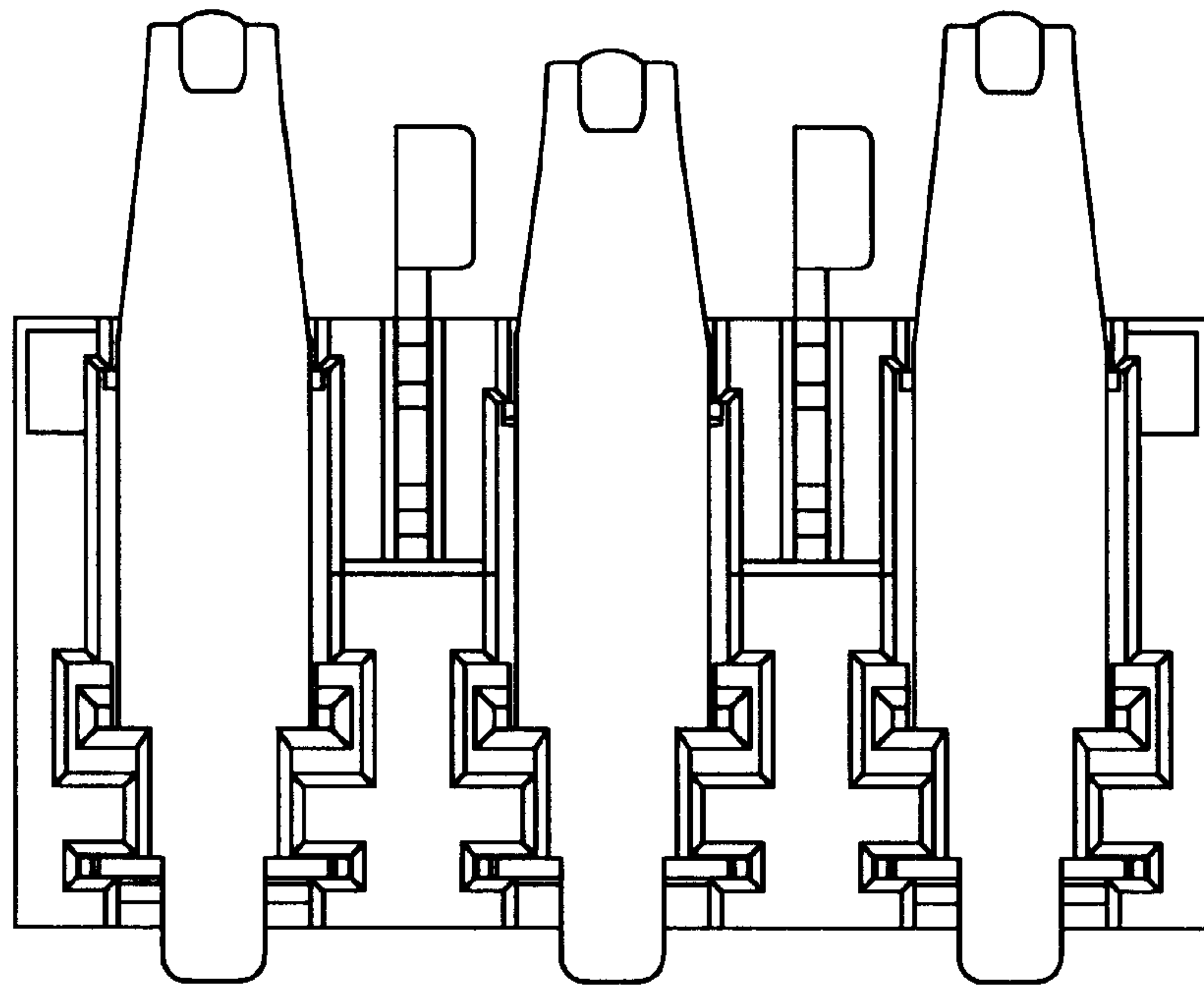


Fig. 5

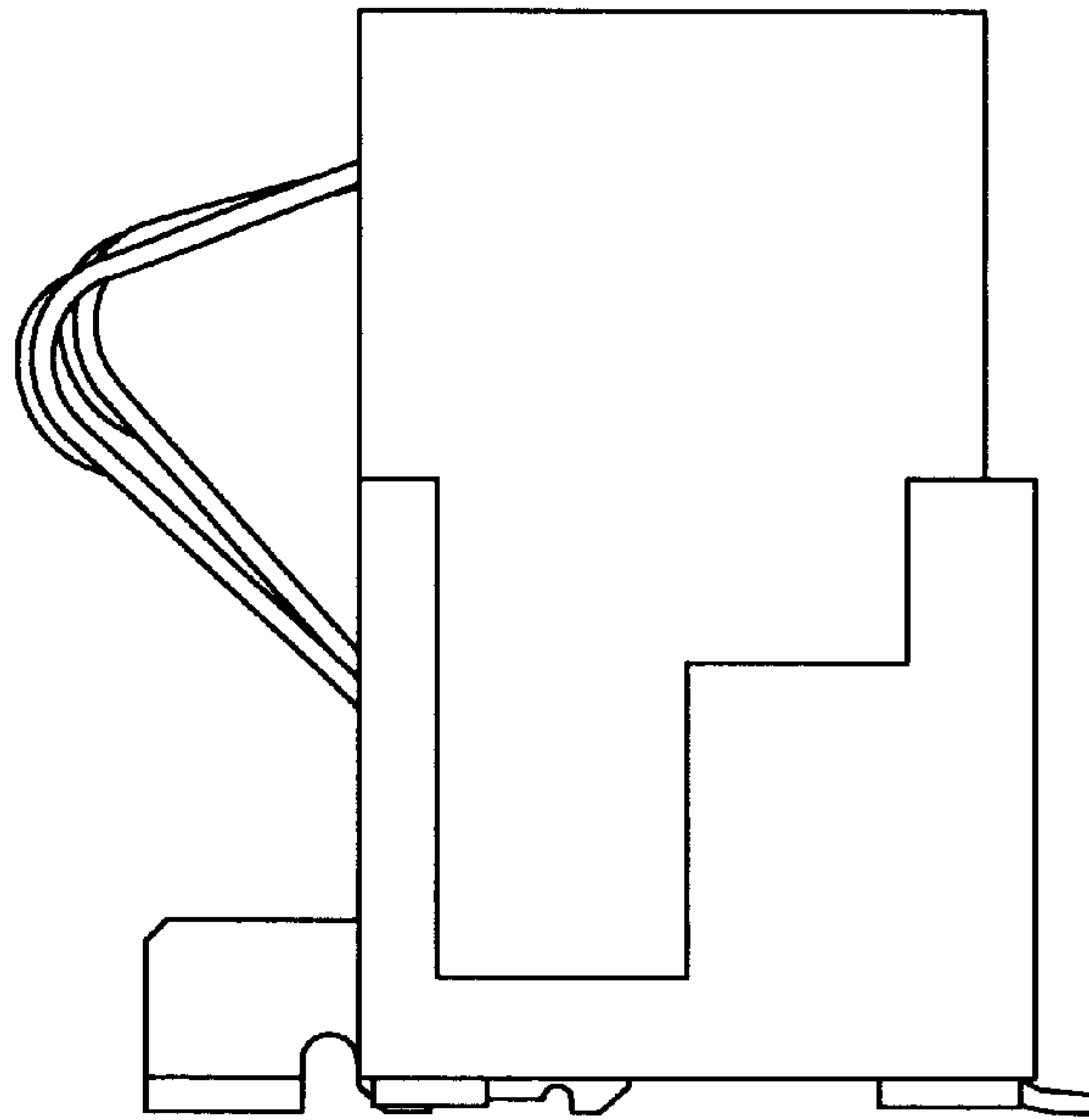


Fig. 6

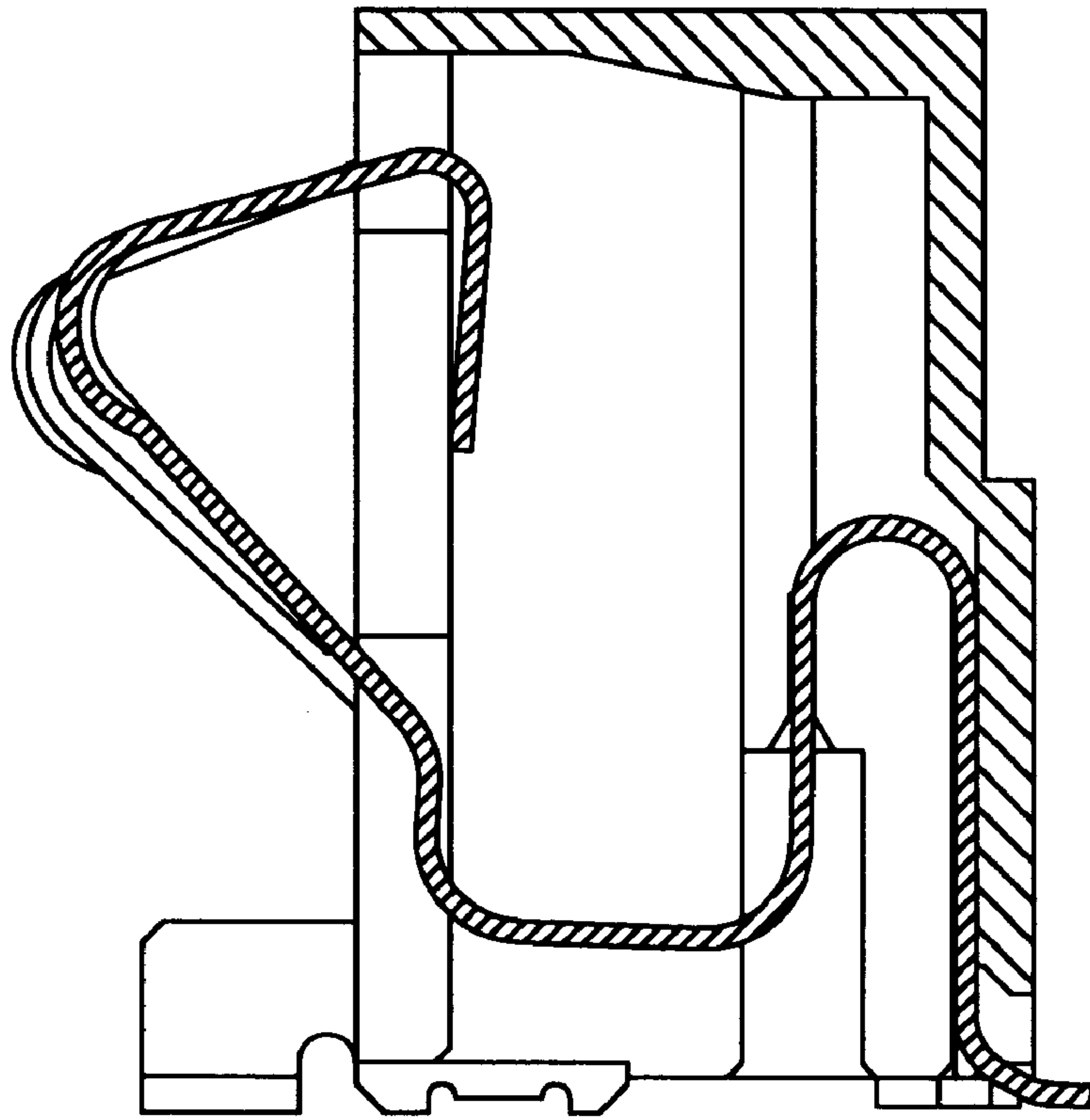
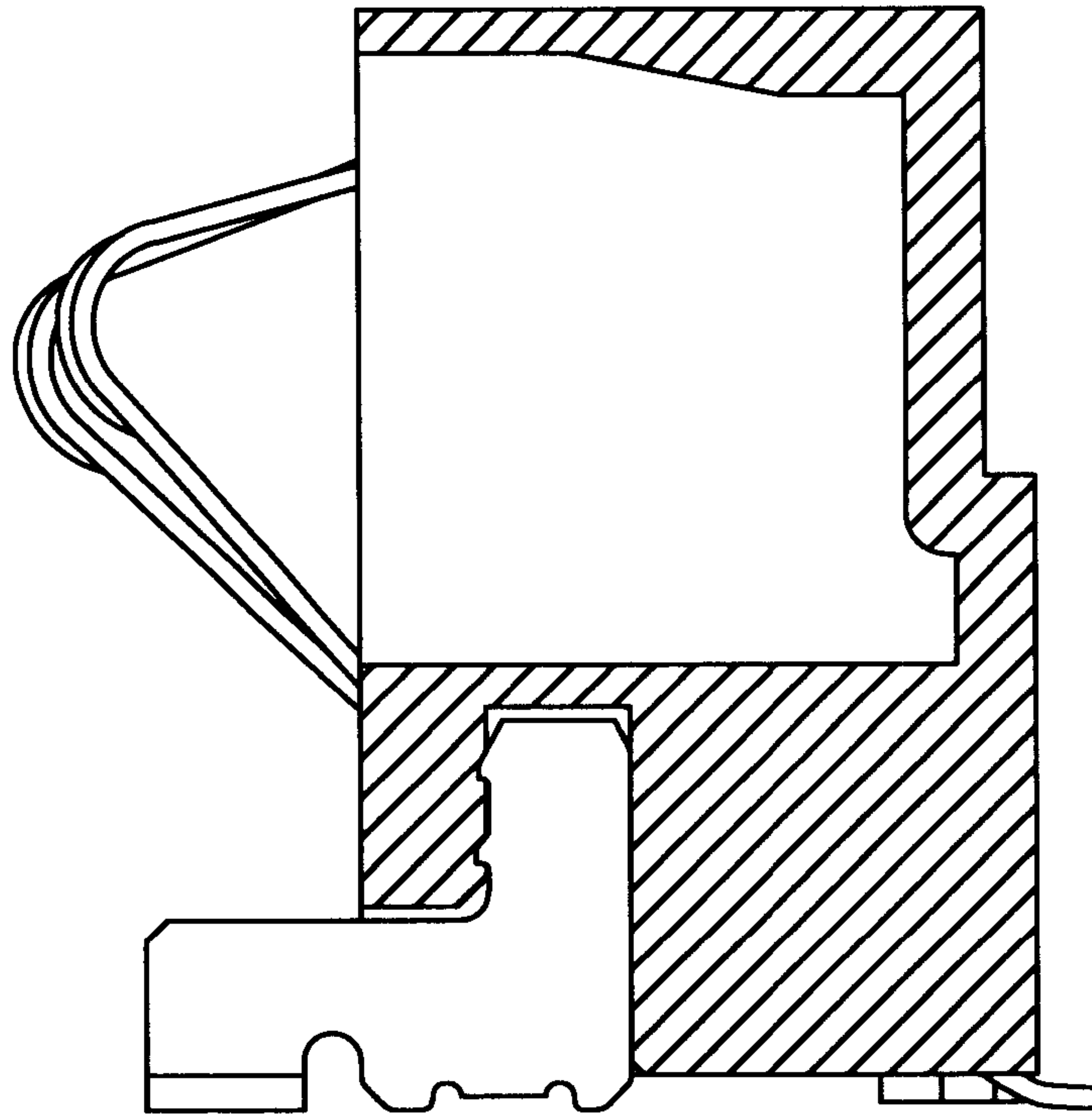


Fig. 7





**Fig. 8**

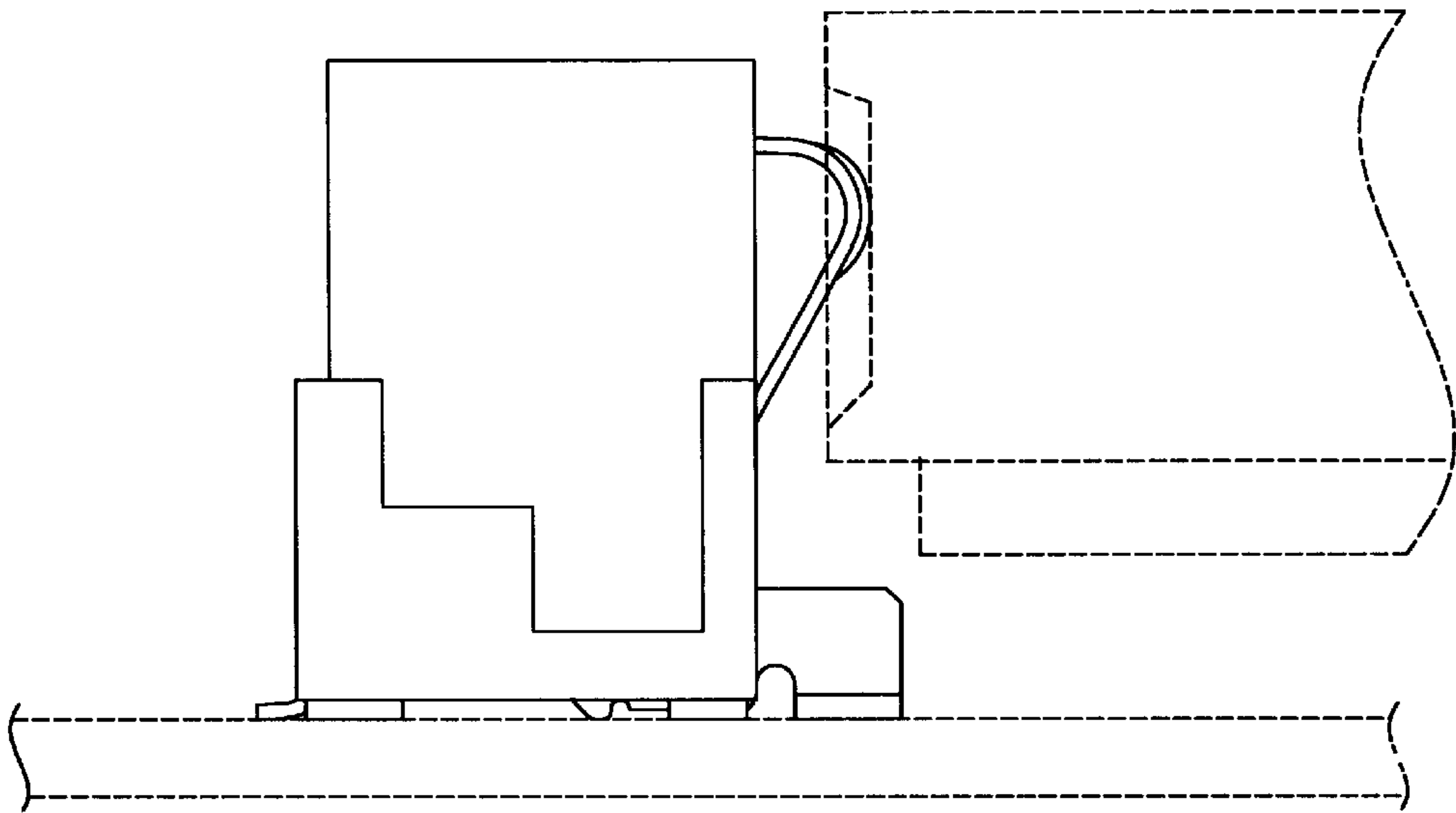


Fig. 9