



US00D486447S

(12) **United States Design Patent**  
**Fan**

(10) **Patent No.:** **US D486,447 S**

(45) **Date of Patent:** **\*\* Feb. 10, 2004**

(54) **PORTABLE ELECTRIC GENERATOR**

(76) **Inventor:** **Guo Xiang Fan**, 4951 Commerce Dr.,  
Baldwin Park, CA (US) 91706

(\*\*) **Term:** **14 Years**

(21) **Appl. No.:** **29/179,110**

(22) **Filed:** **Apr. 7, 2003**

(51) **LOC (7) Cl.** ..... **13-02**

(52) **U.S. Cl.** ..... **D13/114; D13/116; D13/122**

(58) **Field of Search** ..... **D13/114, 116,**  
**D13/112, 113, 122; 290/1 A, 1 B, 40 C;**  
**322/1**

(56) **References Cited**

**U.S. PATENT DOCUMENTS**

D276,997 S	*	1/1985	Mikado	.....	D13/116
D278,425 S	*	4/1985	Toshihiko	.....	D13/116
D282,734 S	*	2/1986	Shibuya	.....	D13/114
4,595,841 A	*	6/1986	Yaguchi	.....	290/1 A
D293,904 S	*	1/1988	Murakami et al.	.....	D13/116
4,721,070 A	*	1/1988	Tanaka et al.	.....	123/2

D416,537 S	*	11/1999	Imai et al.	.....	D13/116
D437,581 S	*	2/2001	Aruga et al.	.....	D13/116
D441,714 S	*	5/2001	Yuzuriha	.....	D13/116
6,331,740 B1	*	12/2001	Morohoshi et al.	.....	290/1 A

\* cited by examiner

*Primary Examiner*—Philip S. Hyder

(74) *Attorney, Agent, or Firm*—Raymond Y. Chan; David  
and Raymond Patent Group

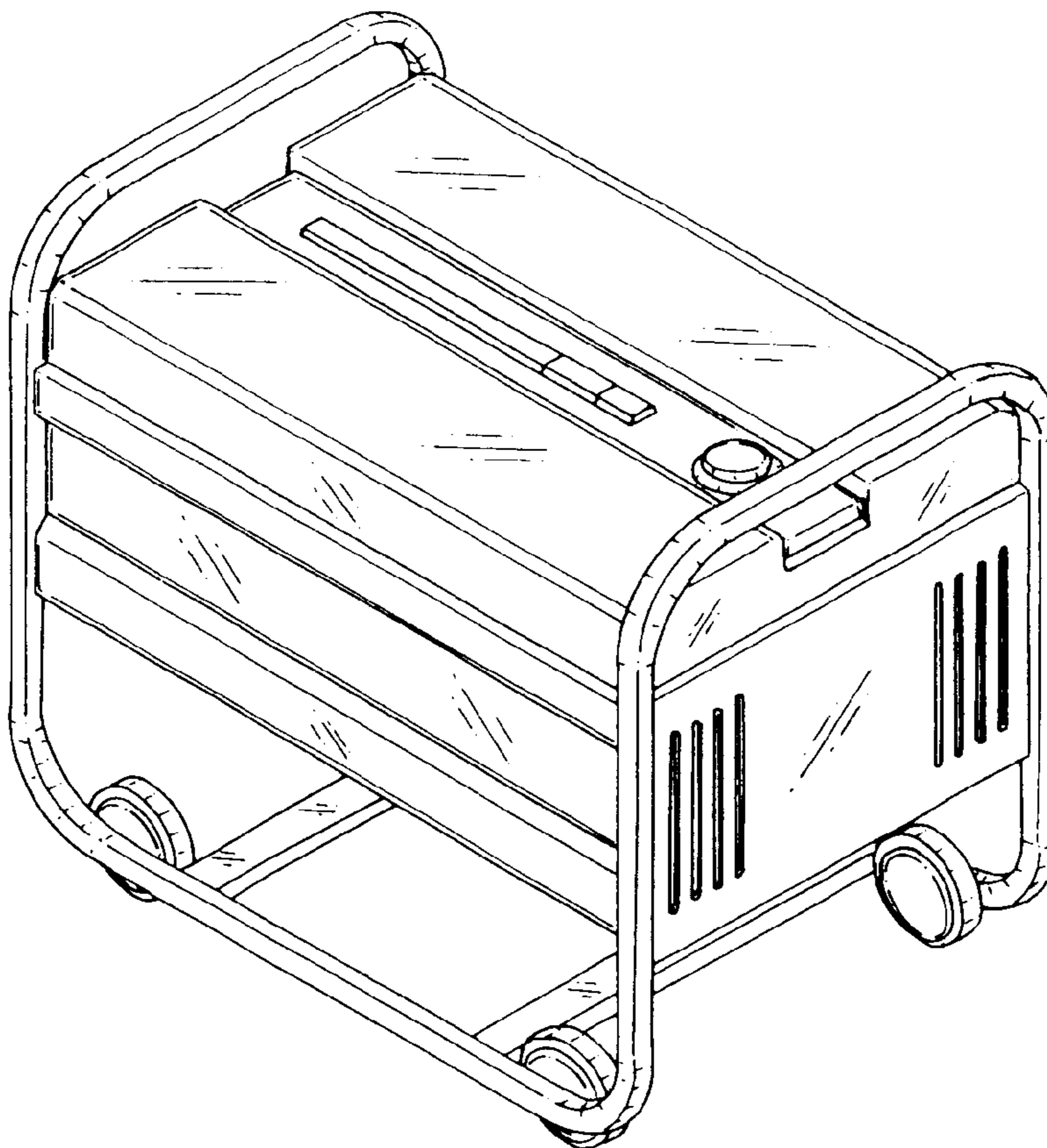
(57) **CLAIM**

The ornamental design for a portable electric generator, as  
shown.

**DESCRIPTION**

FIG. 1 is a perspective view showing my new design.  
FIG. 2 is a front view thereof.  
FIG. 3 is a rear view thereof.  
FIG. 4 is a left end view thereof.  
FIG. 5 is a right end view thereof.  
FIG. 6 is a top view thereof; and,  
FIG. 7 is a bottom view thereof.

**1 Claim, 7 Drawing Sheets**



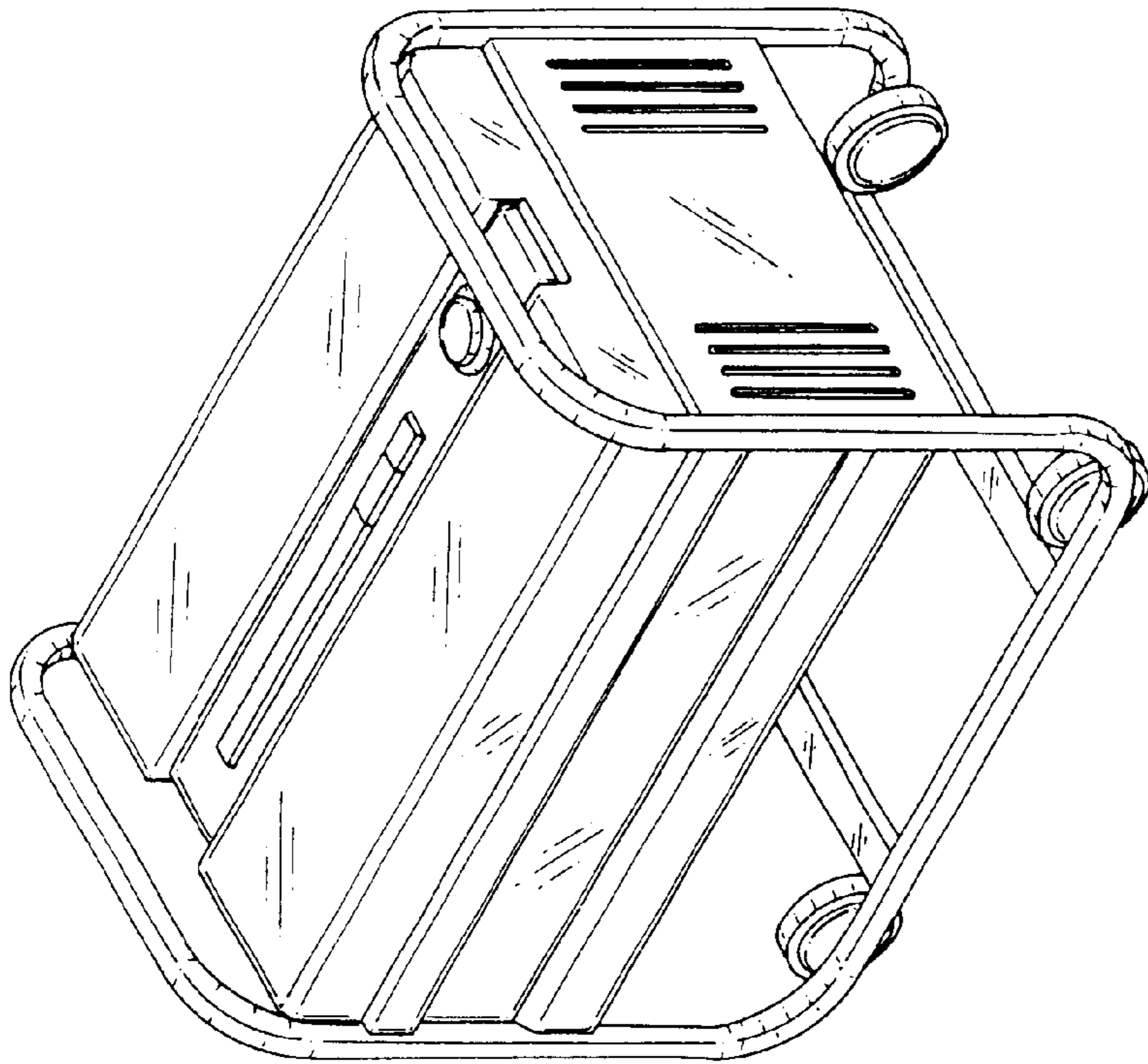


FIG. 1

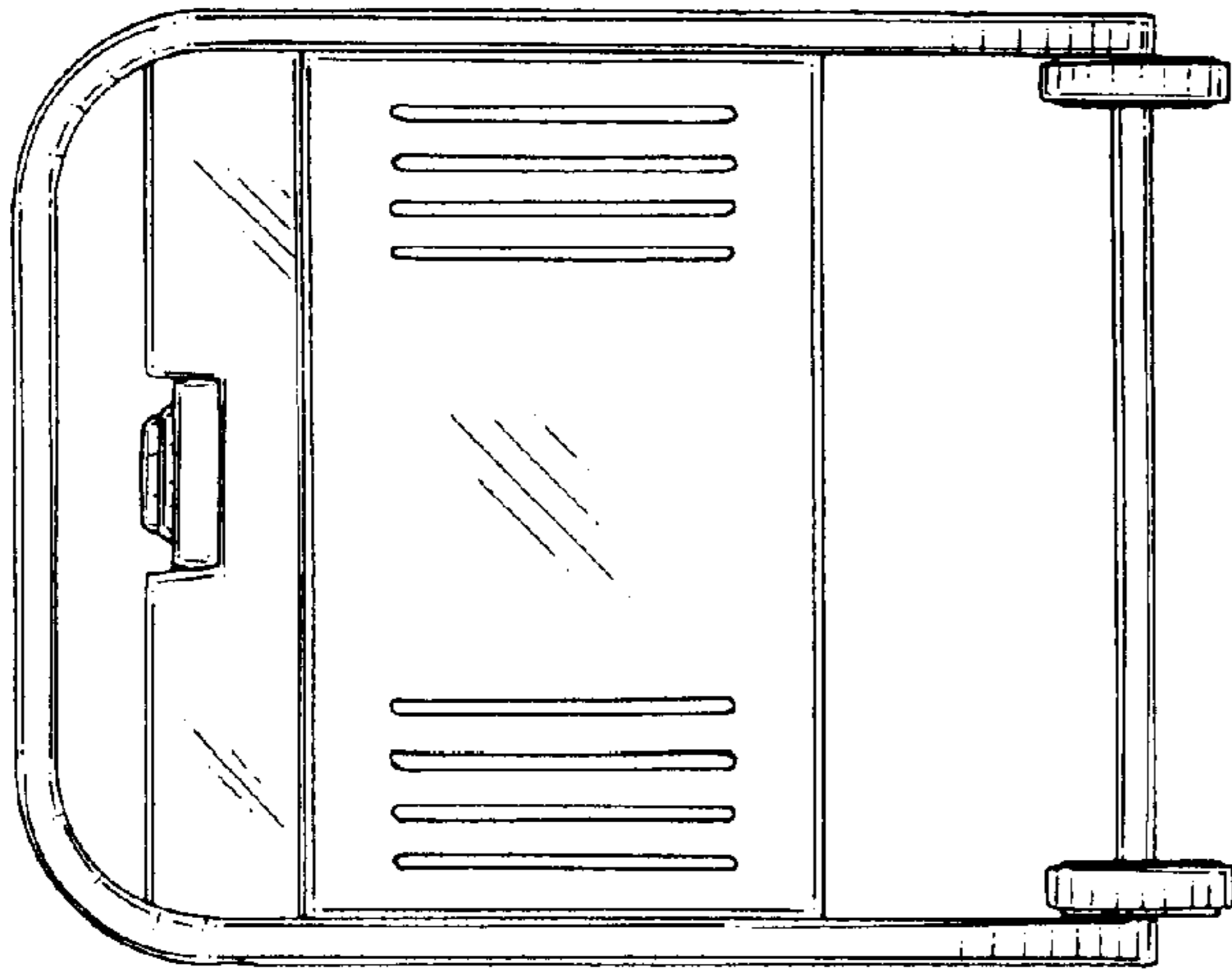


FIG. 2

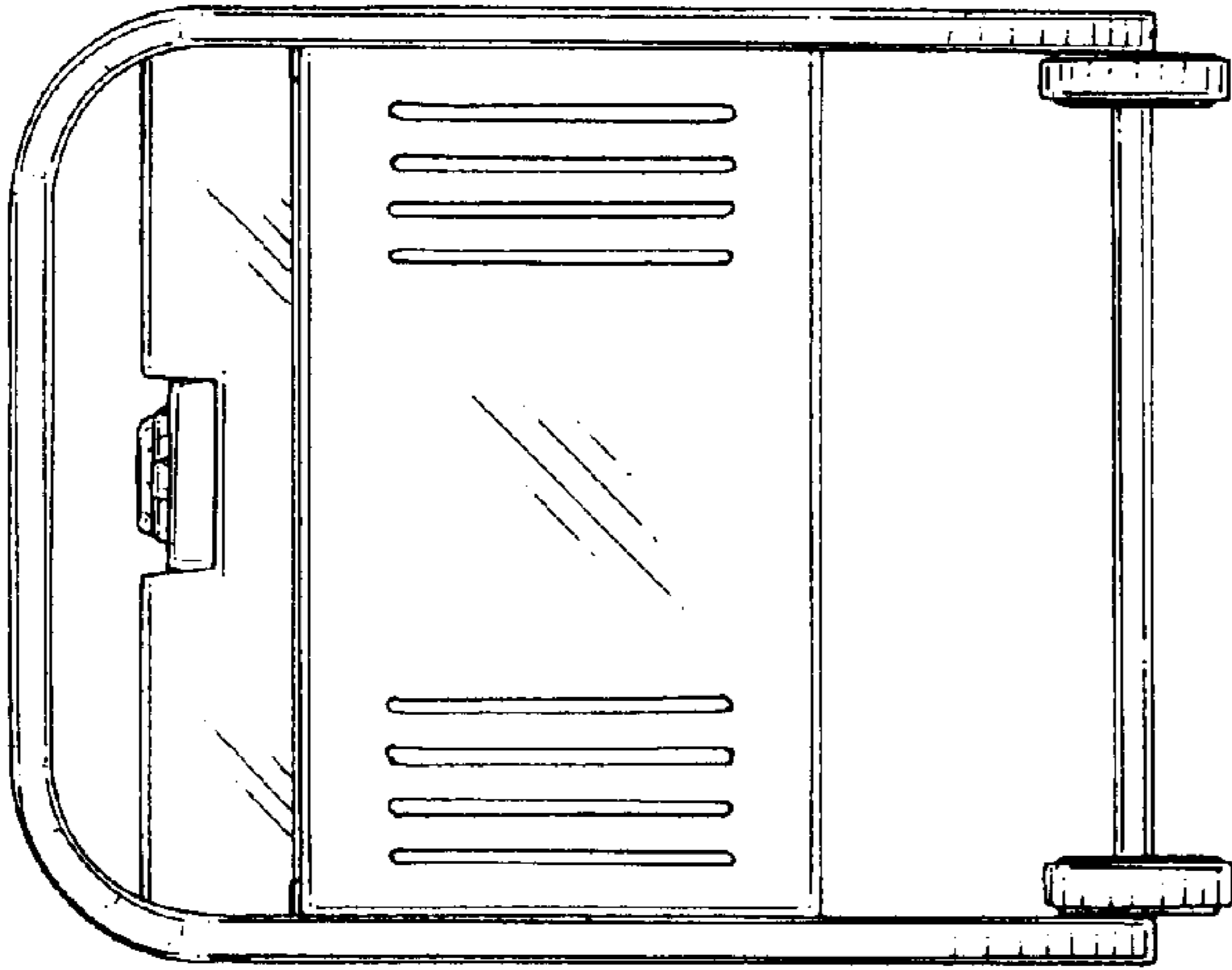


FIG. 3

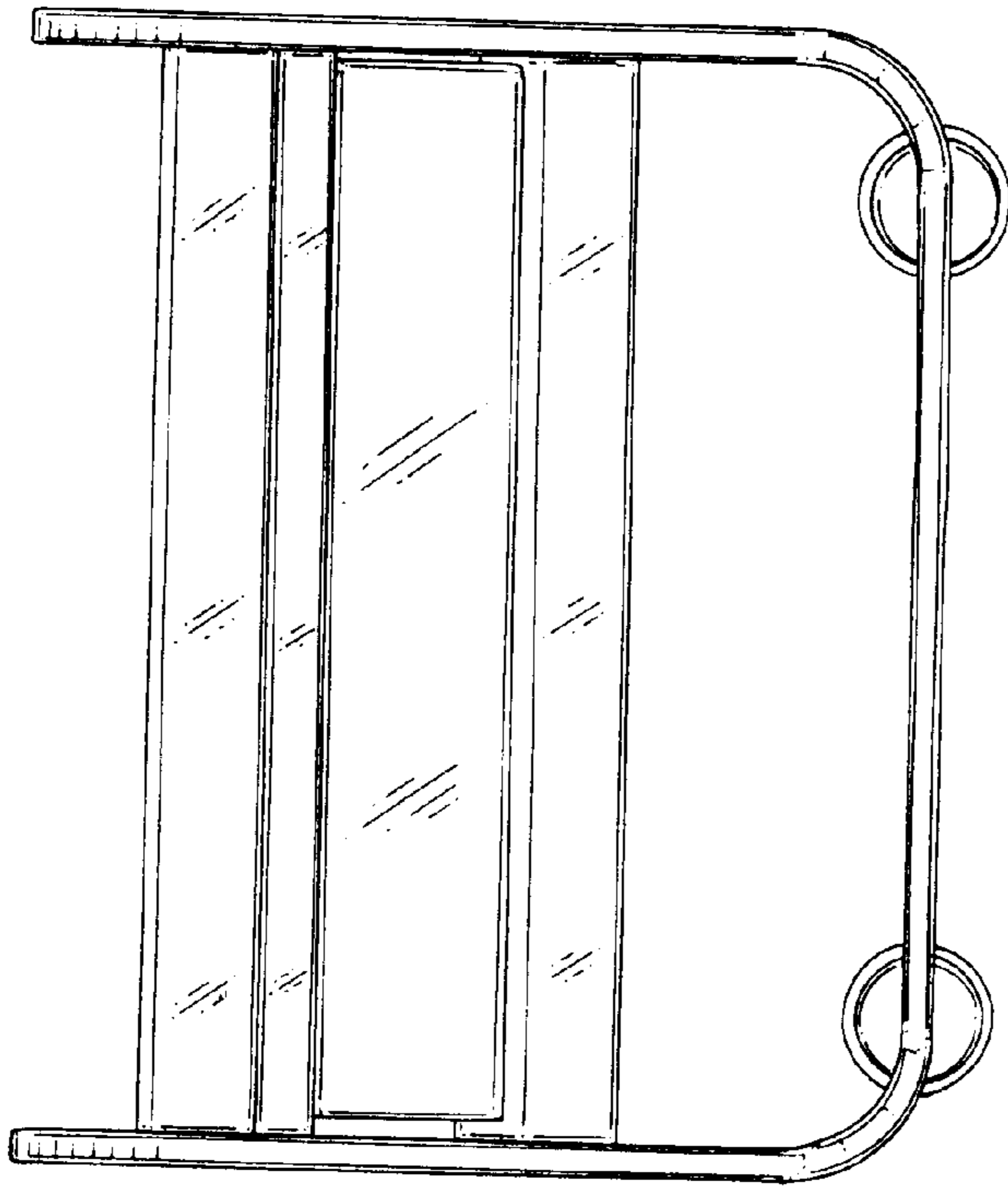


FIG. 4

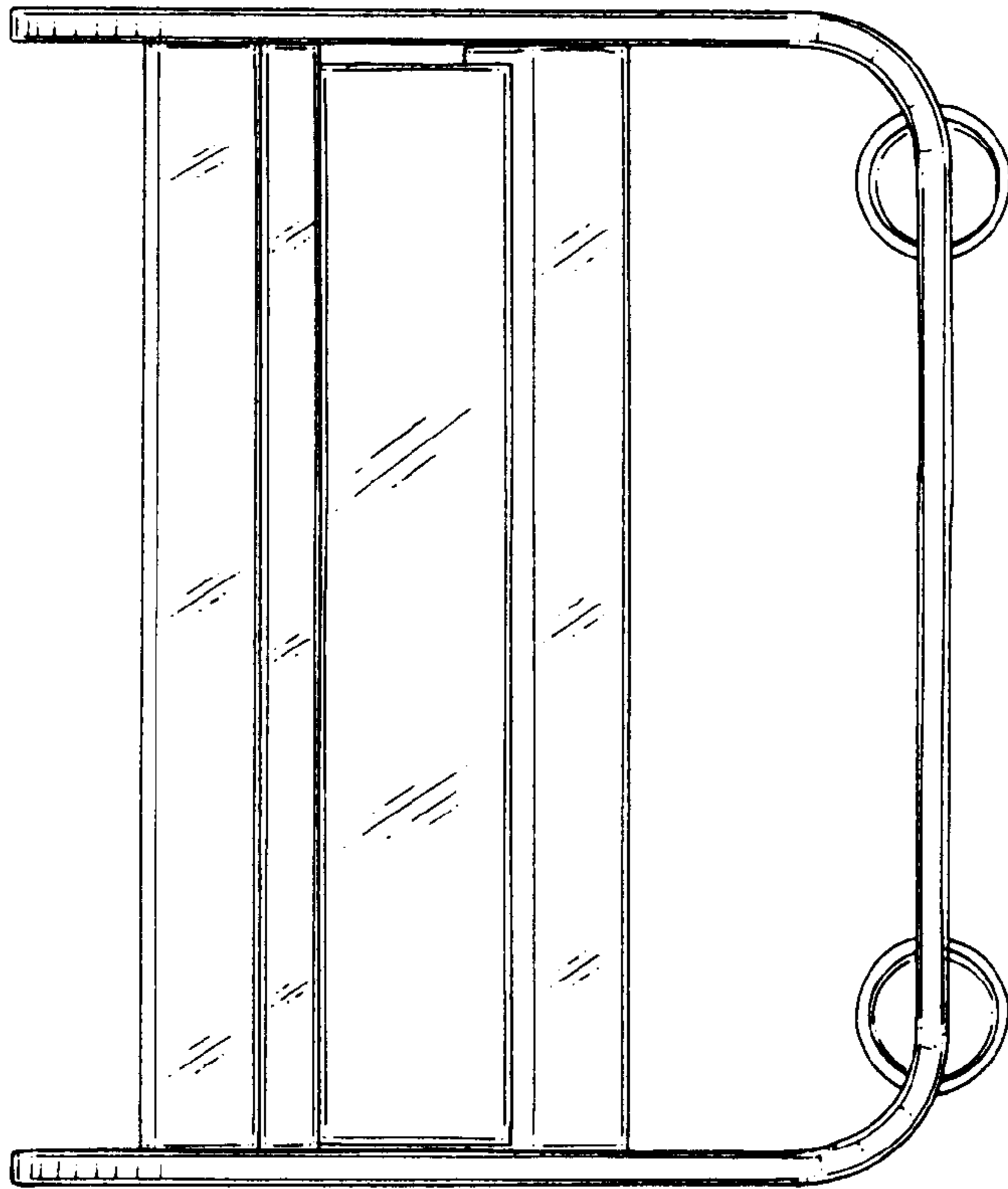


FIG. 5

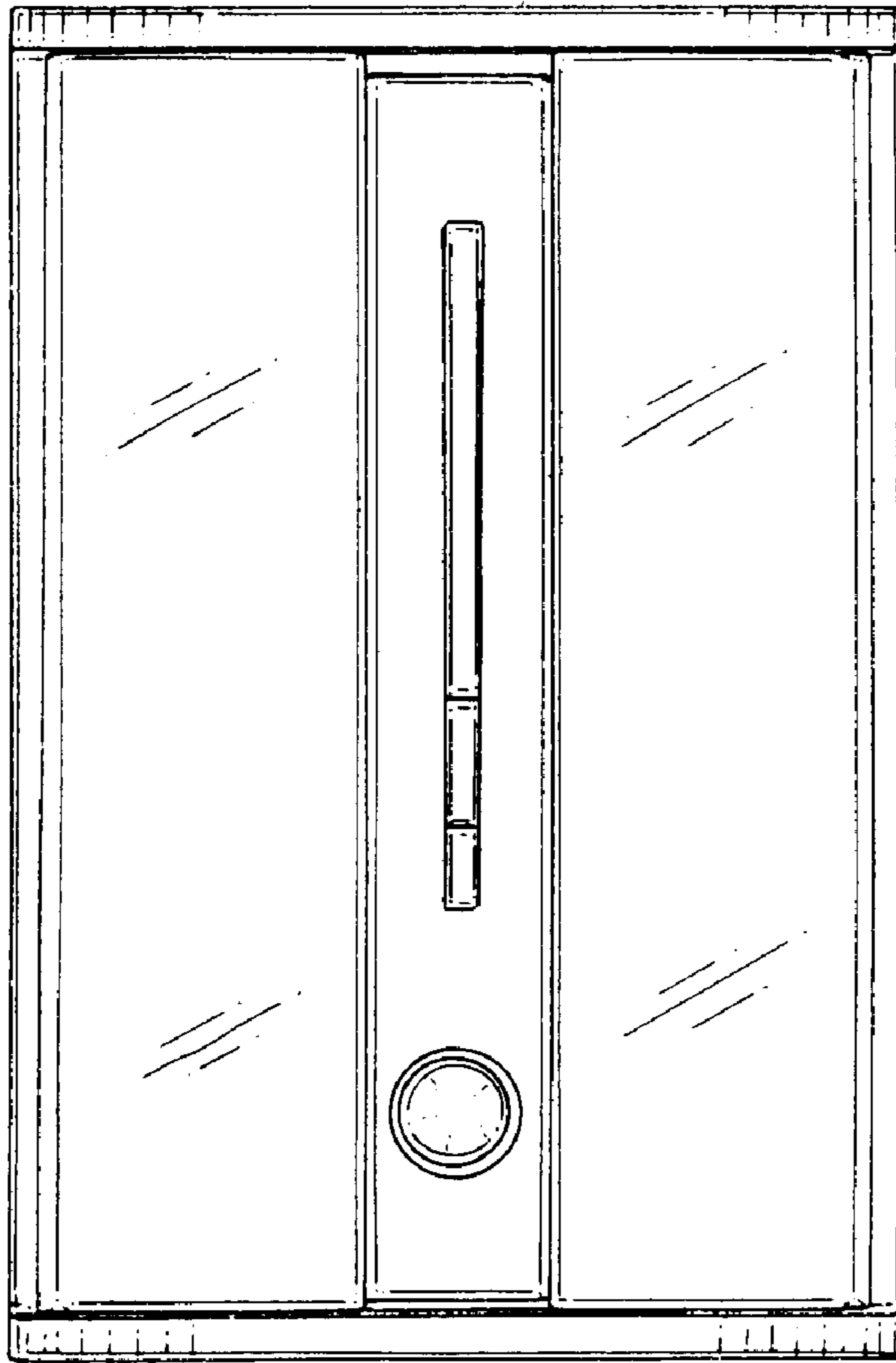


FIG. 6

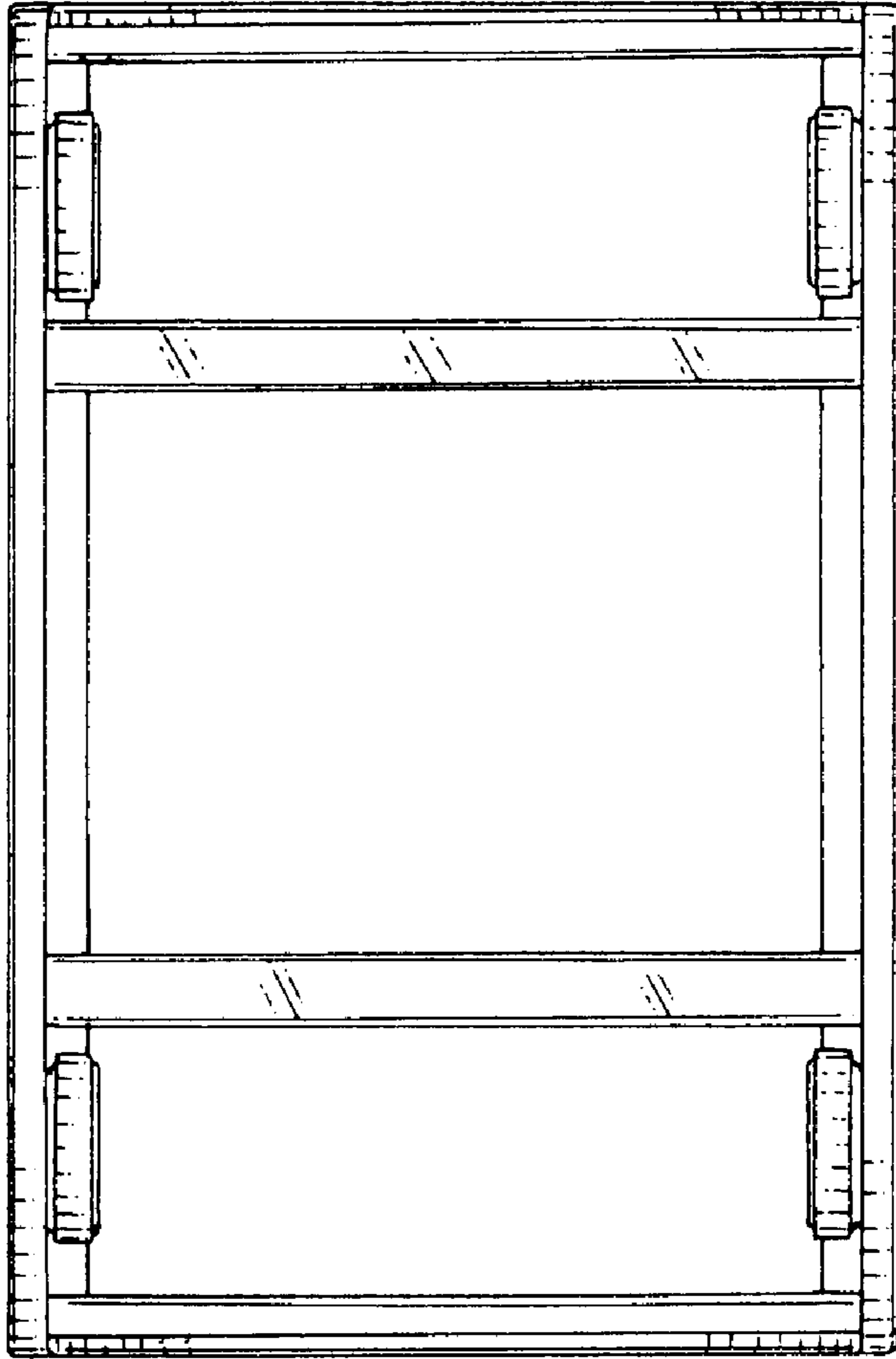


FIG. 7