



US00D486437S

(12) **United States Design Patent**
Hieke

(10) **Patent No.:** **US D486,437 S**

(45) **Date of Patent:** **** Feb. 10, 2004**

(54) **FRONT FACE OF A VEHICLE WHEEL**

(75) **Inventor:** **Claus Hieke, Sindelfingen (DE)**

(73) **Assignee:** **DaimlerChrysler AG, Stuttgart (DE)**

(**) **Term:** **14 Years**

(21) **Appl. No.:** **29/151,713**

(22) **Filed:** **Dec. 11, 2001**

(30) **Foreign Application Priority Data**

Jun. 28, 2001 (DE) 4 01 05 748
Jul. 24, 2001 (DE) 4 01 06 453

(51) **LOC (7) Cl.** **12-16**

(52) **U.S. Cl.** **D12/211**

(58) **Field of Search** D12/204-211;
301/37.101, 64.101, 65

(56) **References Cited**

U.S. PATENT DOCUMENTS

D361,547 S * 8/1995 Weld D12/211
D379,612 S * 6/1997 Honarkhah D12/209
D384,320 S * 9/1997 Bhambra D12/209
D407,364 S * 3/1999 Fisker D12/209
D407,680 S * 4/1999 Bhambra D12/209
D414,738 S * 10/1999 Escue D12/209
D420,637 S * 2/2000 Glade D12/209
D421,417 S * 3/2000 Weidhase D12/209
D422,258 S * 4/2000 Hale, Jr. D12/211
D426,184 S * 6/2000 Goplen D12/209
D428,846 S * 8/2000 Yoshida et al. D12/211
D430,843 S * 9/2000 Sands D12/211
D433,659 S * 11/2000 Frizzi D12/211
D437,821 S * 2/2001 Frohlich D12/211

D449,028 S * 10/2001 Weidhase D12/209
D450,647 S * 11/2001 Pfeiffer D12/211
D452,839 S * 1/2002 Muth et al. D12/209
D454,105 S * 3/2002 Pfeiffer D12/209
D459,689 S * 7/2002 Hieke D12/211
D463,349 S * 9/2002 Vian D12/209
D466,853 S * 12/2002 Maifrini D12/211
D467,213 S * 12/2002 Pfeiffer et al. D12/211
D467,855 S * 12/2002 Laengerer D12/209

* cited by examiner

Primary Examiner—Stacia Cadmus

(74) *Attorney, Agent, or Firm*—Crowell & Moring LLP

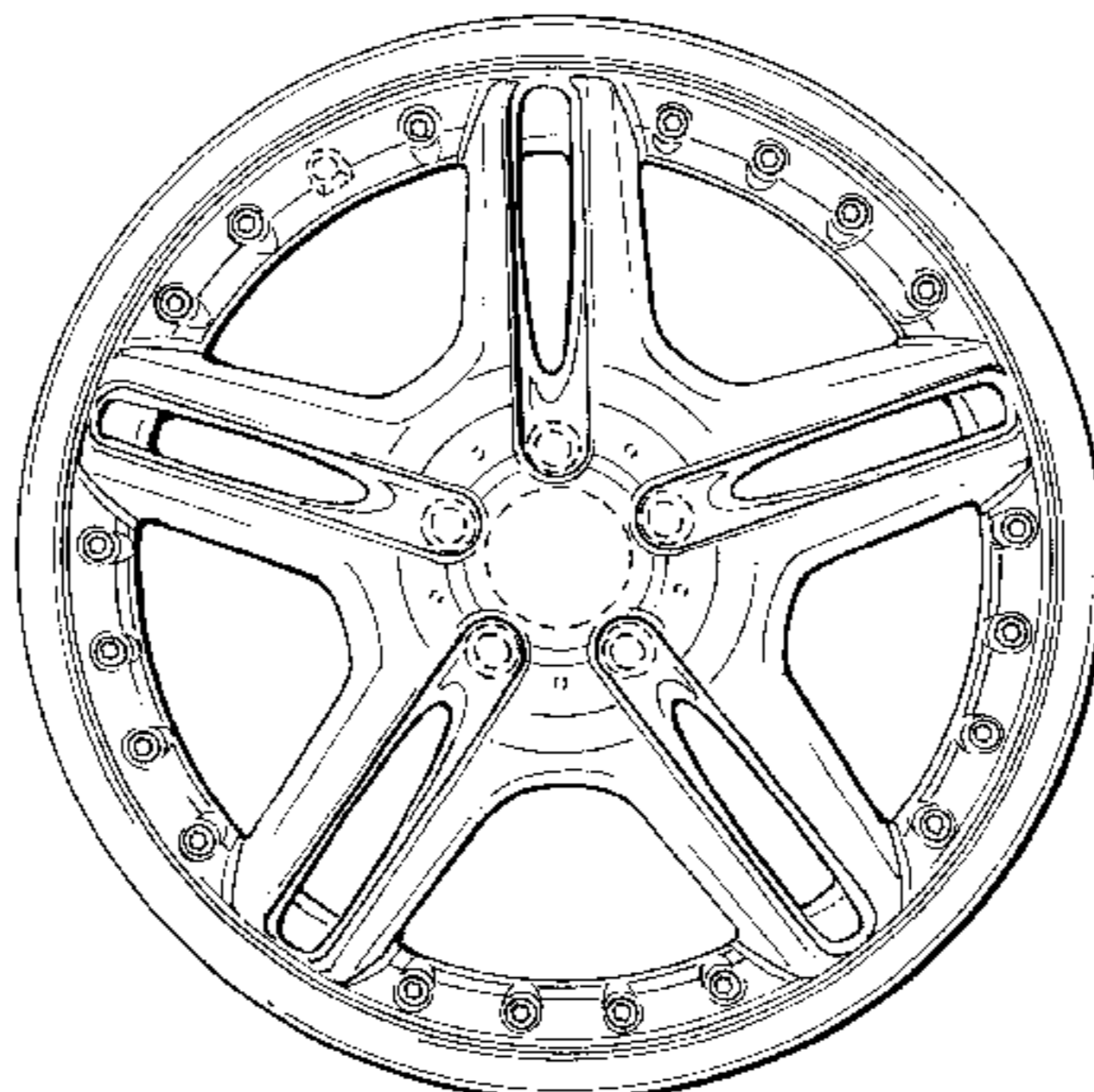
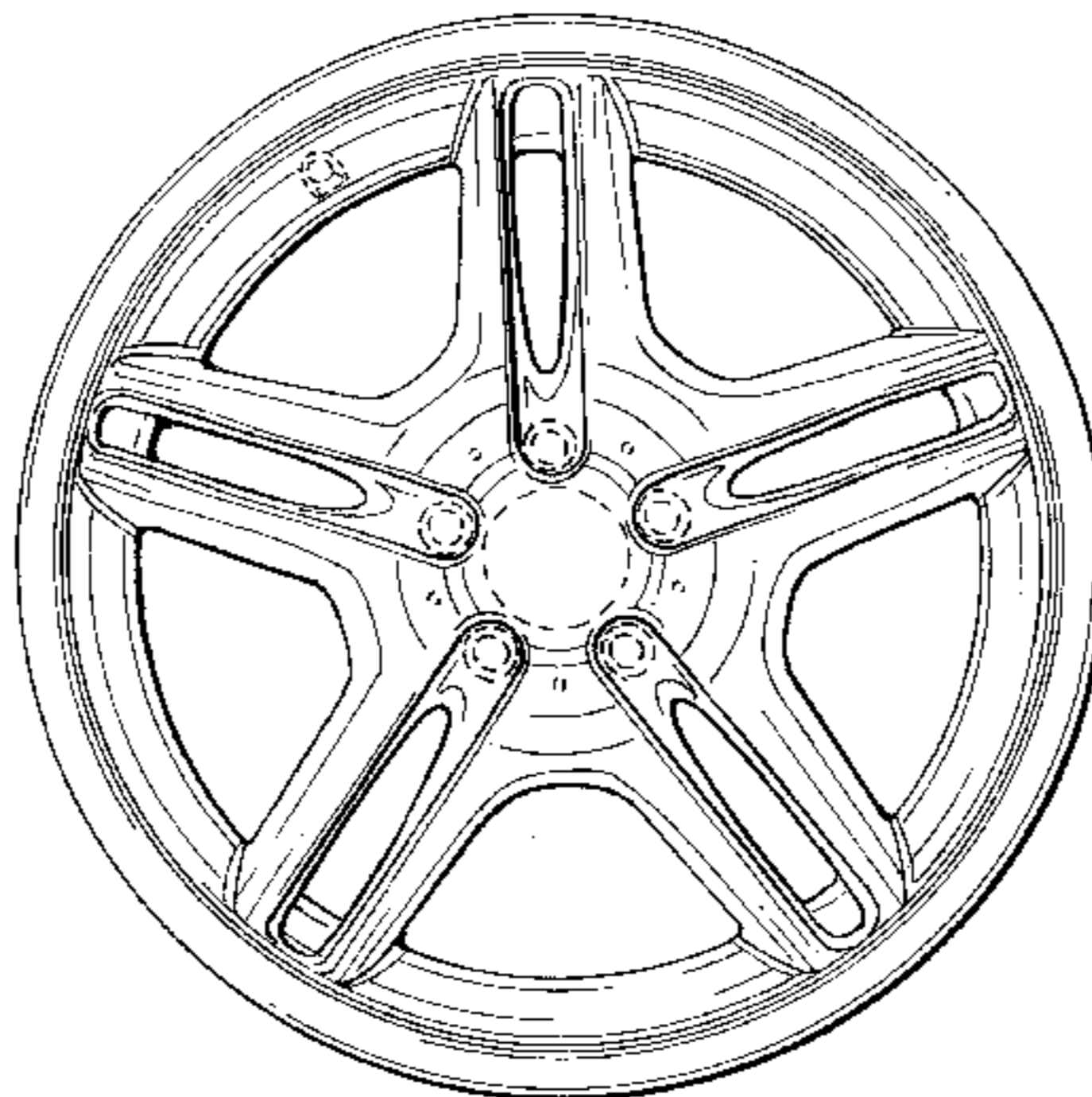
(57) **CLAIM**

The ornamental design for a front face of a vehicle wheel, as shown and described.

DESCRIPTION

FIG. 1 is a front view of a first embodiment of a front face of a vehicle wheel according to my novel design;
FIG. 2 is a perspective view of the first embodiment of the front face of a vehicle wheel according to my novel design;
FIG. 3 is a front view of a second embodiment of the front face of a vehicle wheel according to my novel design;
FIG. 4 is a perspective view of the second embodiment of the front face of a vehicle wheel according to my novel design;
FIG. 5 is a front view of a third embodiment of the front face of a vehicle wheel according to my novel design; and,
FIG. 6 is a perspective view of the third embodiment of the front face of a vehicle wheel according to my novel design.
The dash lines included depict environment and are not part of the claimed design.

1 Claim, 3 Drawing Sheets



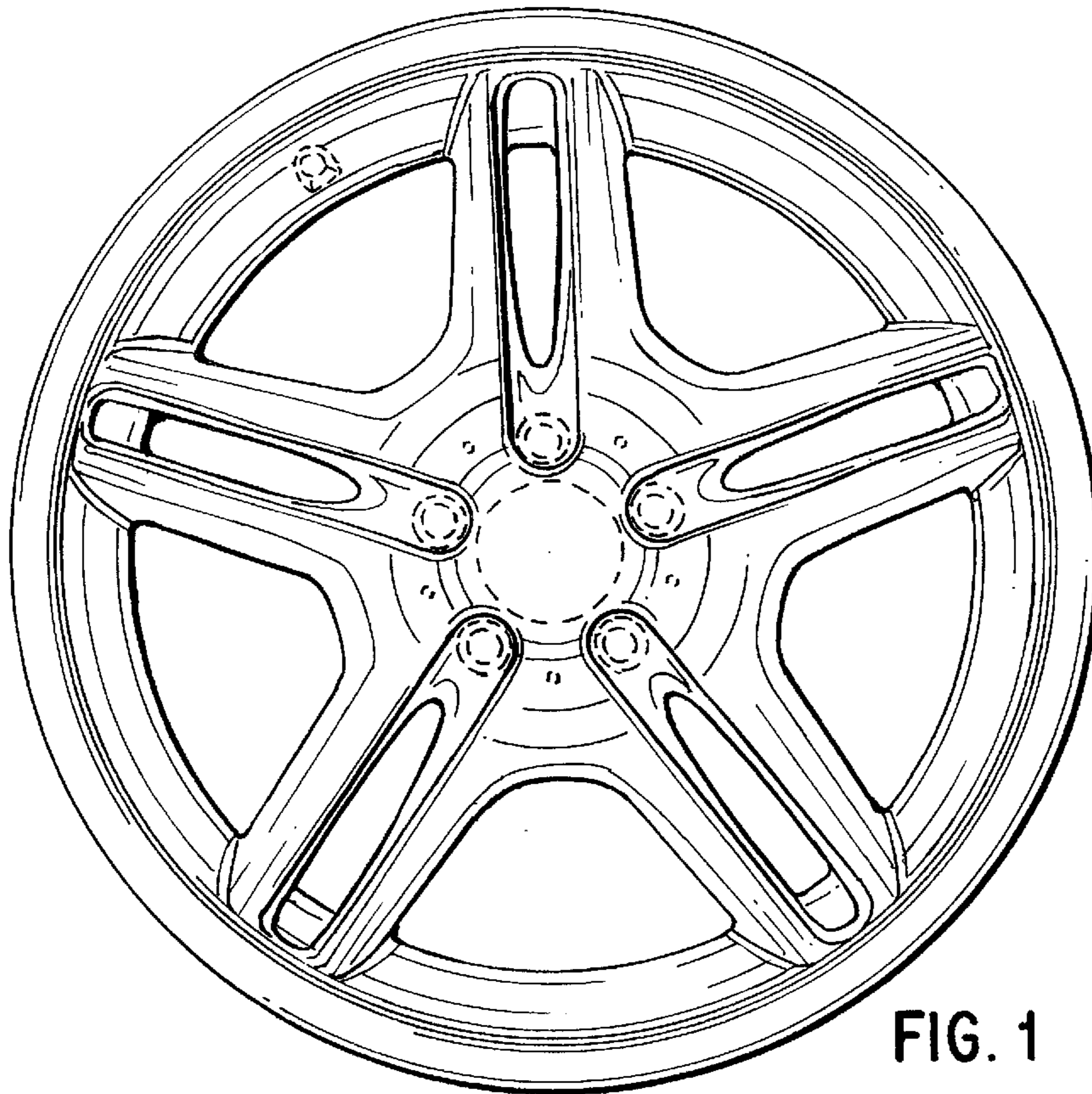


FIG. 1

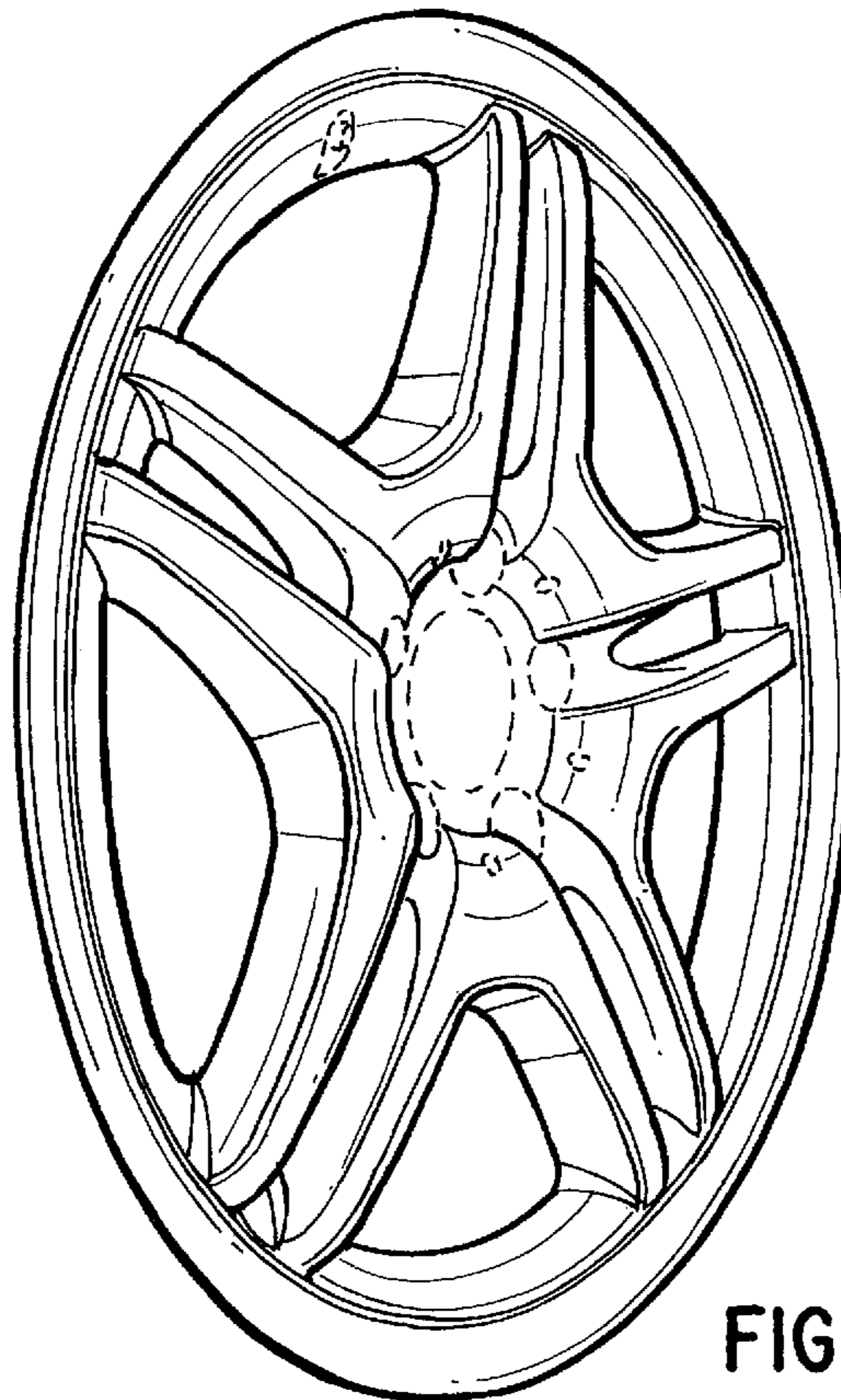


FIG. 2

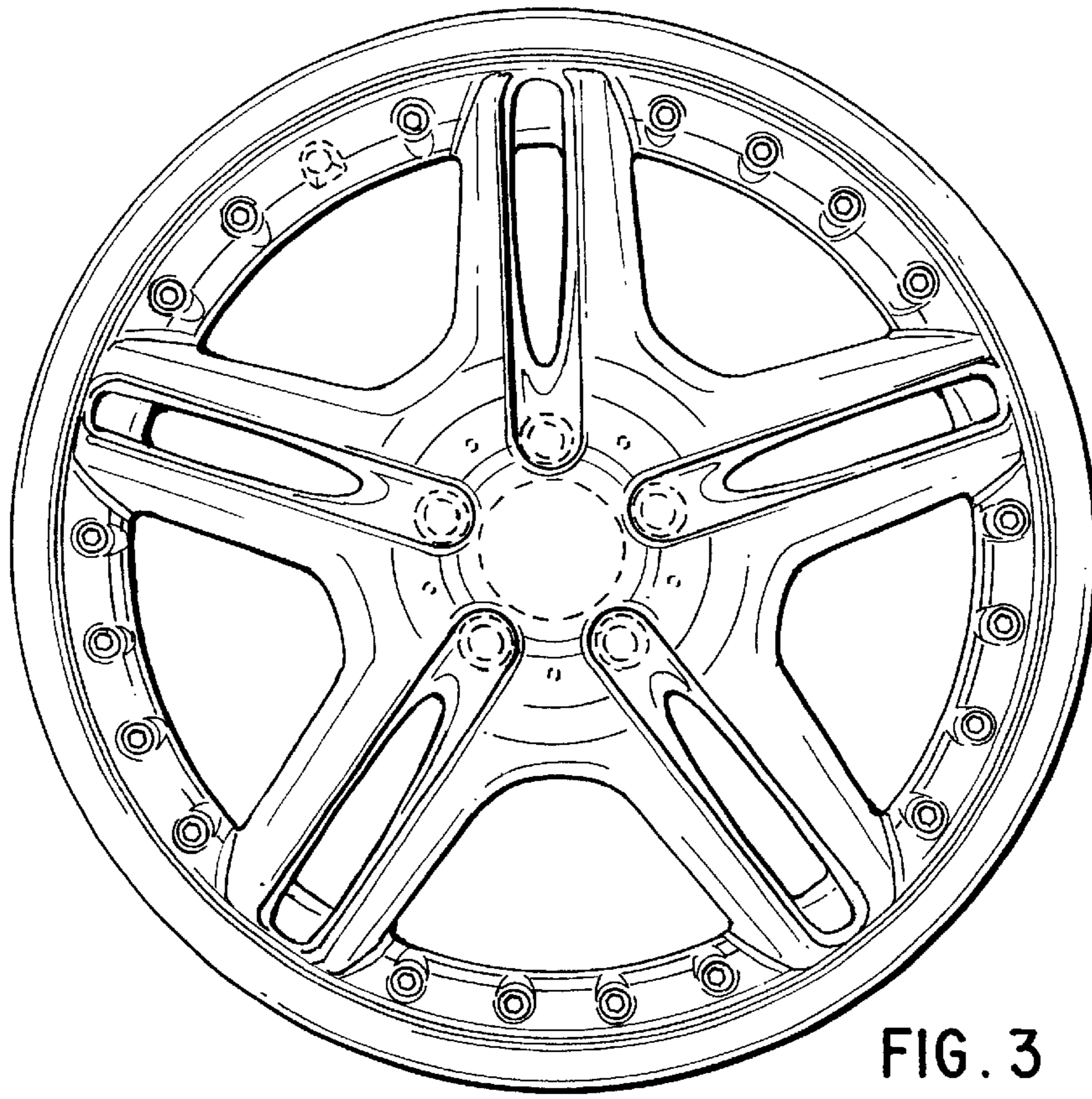


FIG. 3

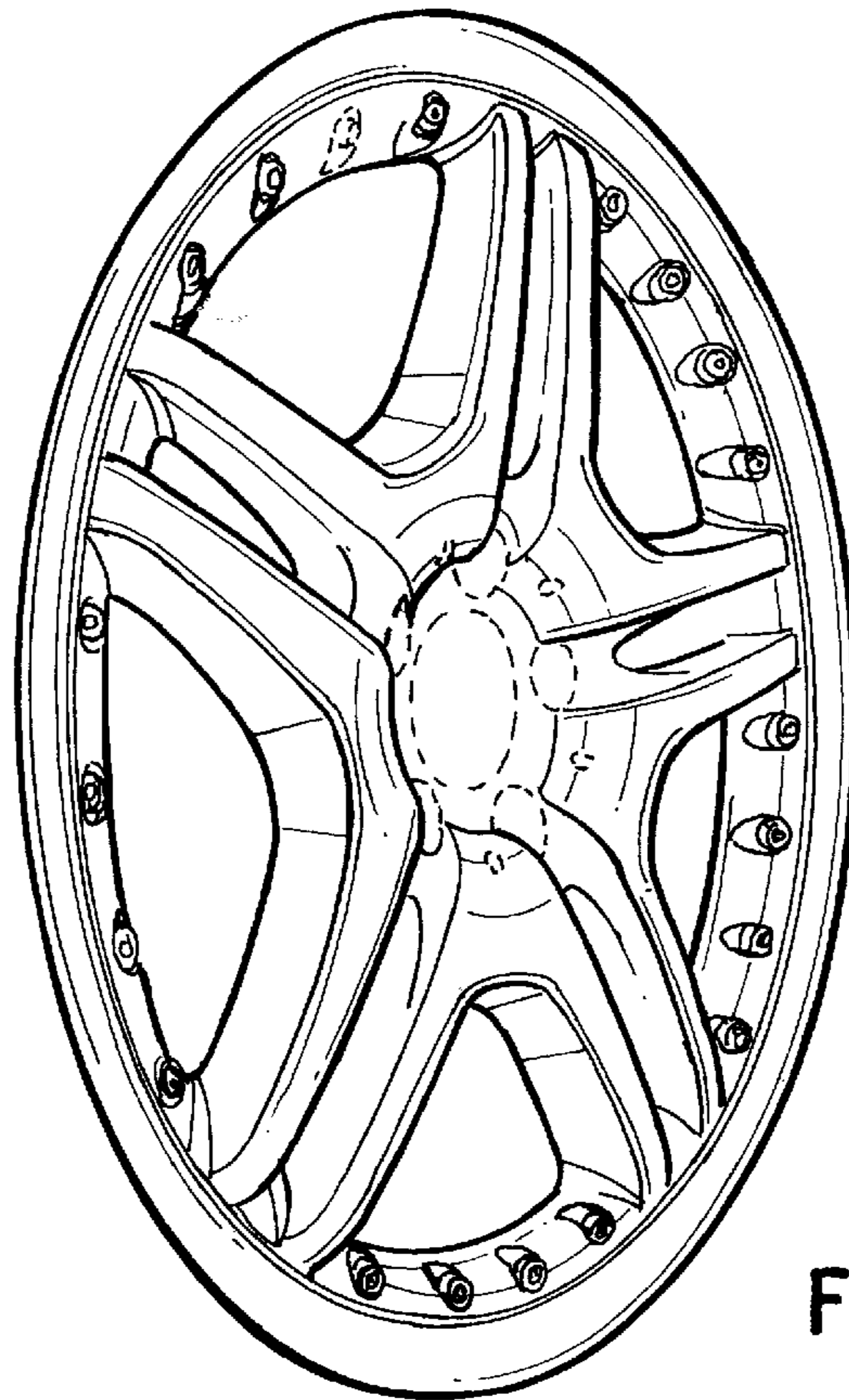


FIG. 4

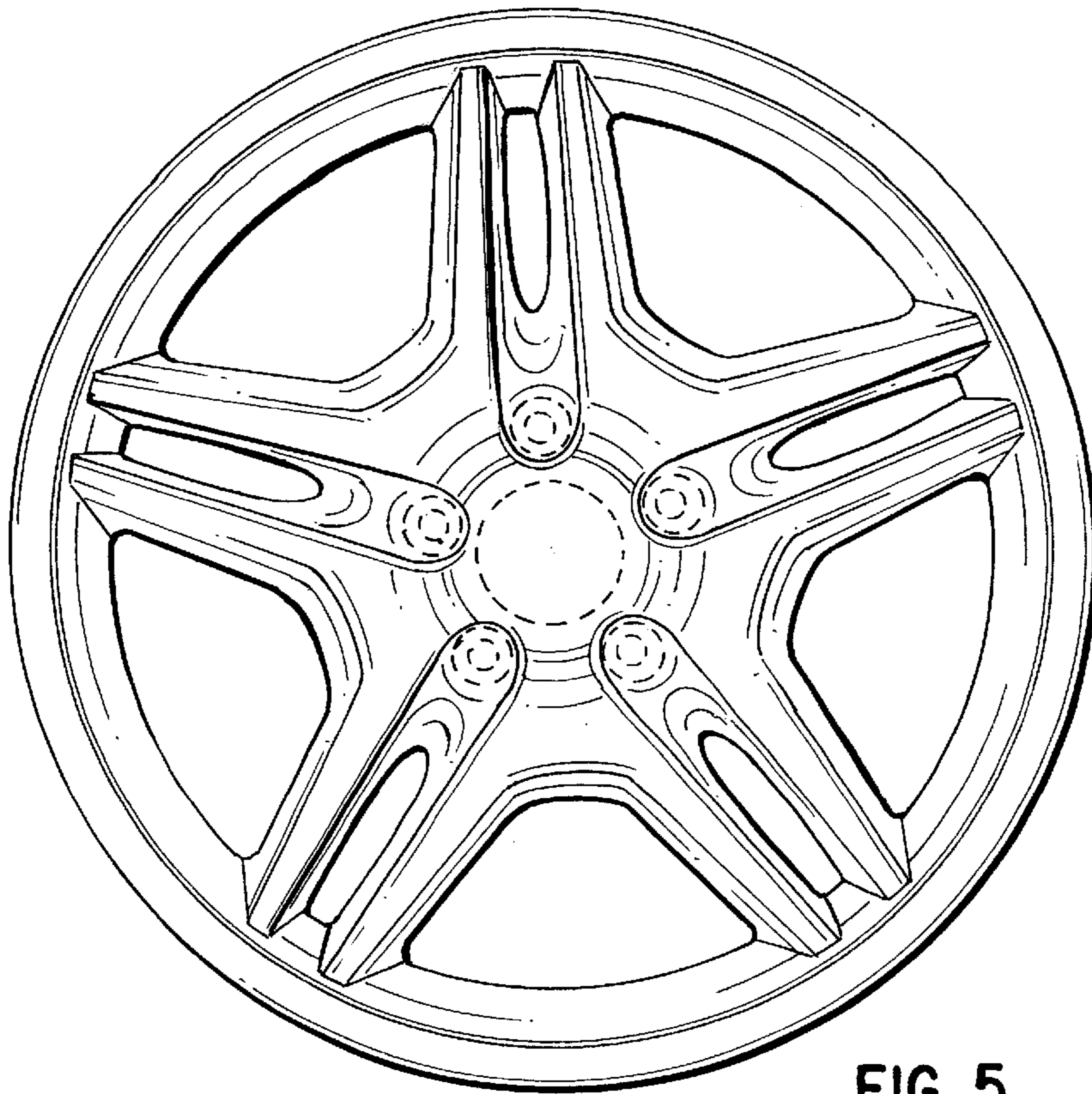


FIG. 5

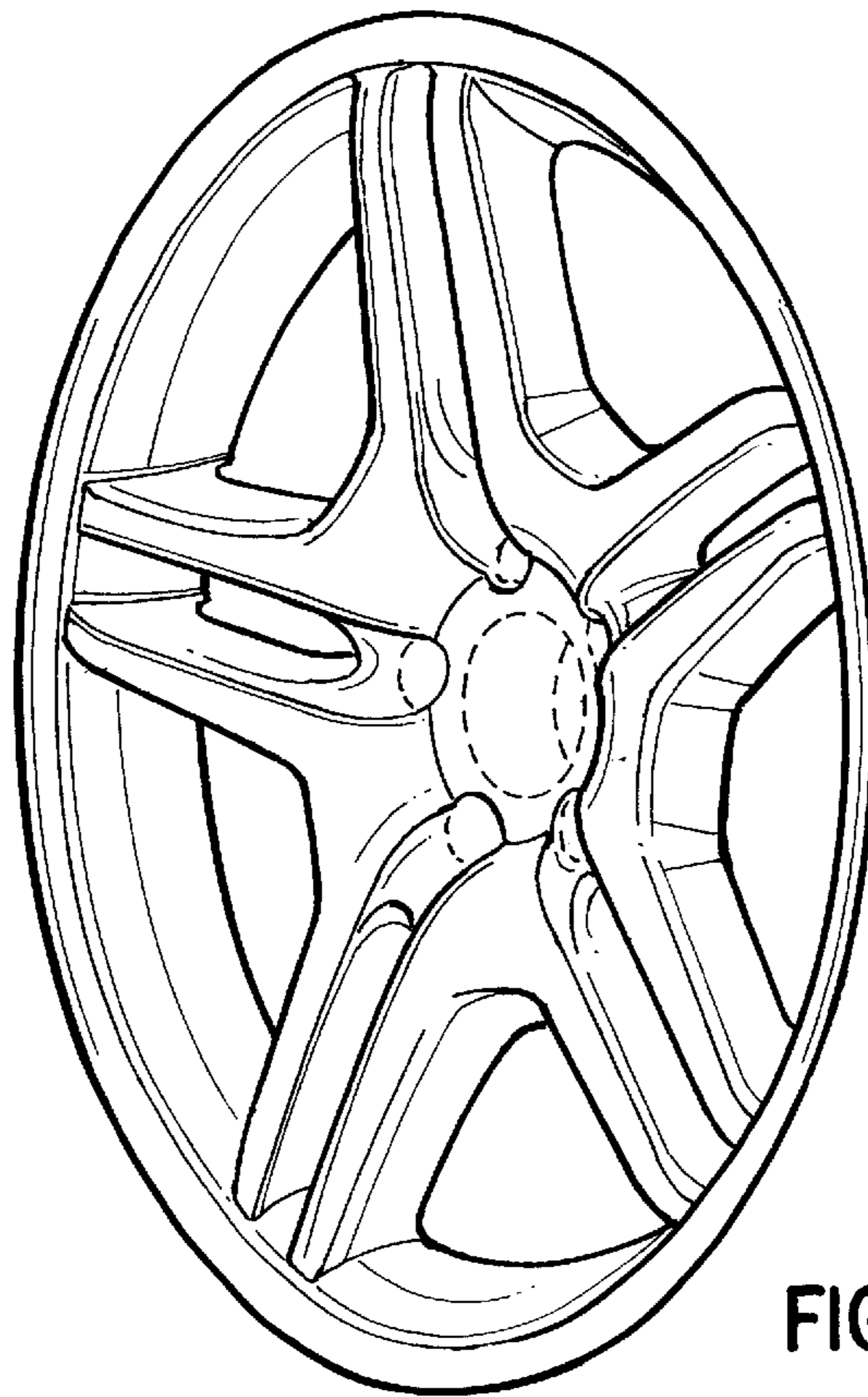


FIG. 6