



US00D486435S

(12) **United States Design Patent**
Day et al.

(10) **Patent No.:** **US D486,435 S**

(45) **Date of Patent:** **** Feb. 10, 2004**

- (54) **DASHBOARD DISPLAY MOUNT**
- (75) Inventors: **Gregory E. Day**, Great Falls, VA (US);
Dwight C. Green, Ashburn, VA (US)
- (73) Assignee: **Gauge Works, LLC**, Great Falls, VA (US)
- (**) Term: **14 Years**
- (21) Appl. No.: **29/181,920**
- (22) Filed: **May 16, 2003**

D436,565 S	*	1/2001	Tsay et al.	D12/192
D440,925 S	*	4/2001	Pfeiffer	D12/192
D461,437 S	*	8/2002	Hofmann et al.	D12/192
D467,845 S	*	12/2002	Pfeiffer et al.	D12/192
D471,141 S	*	3/2003	Hofmann et al.	D12/192
D472,506 S	*	4/2003	Wiedeman et al.	D12/192
D473,832 S	*	4/2003	Tuzar	D12/192
D476,276 S	*	6/2003	Day	D12/192

* cited by examiner

Primary Examiner—Stacia Cadmus

(74) *Attorney, Agent, or Firm*—Thomas F. Bergert;
Williams Mullen PC

Related U.S. Application Data

- (63) Continuation of application No. 29/175,942, filed on Feb. 13, 2003.
- (51) **LOC (7) Cl.** **12-16**
- (52) **U.S. Cl.** **D12/192**
- (58) **Field of Search** D12/192, 114,
D12/415; D10/103, 98, 49-51, 125; 280/750-752,
DIG. 5, 770; 180/90; 296/70-72, 190-191,
37.1, 37.8

(57) **CLAIM**

The ornamental design for a dashboard display mount, as shown and described.

DESCRIPTION

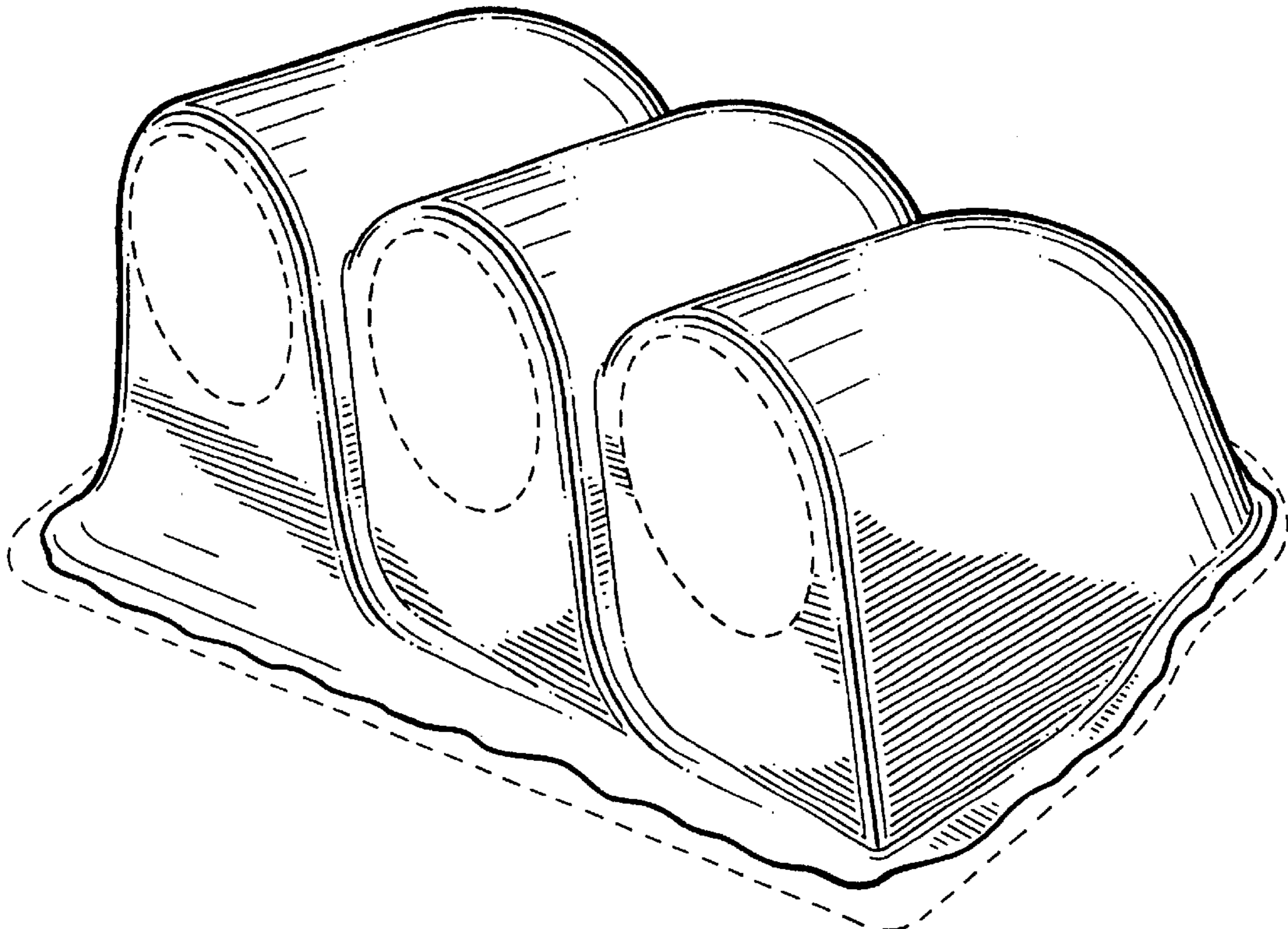
FIG. 1 is a top right front perspective view of a dashboard display mount showing my new design.
 FIG. 2 is a front elevational view thereof;
 FIG. 3 is a right side elevational view thereof;
 FIG. 4 is a left side elevational view thereof;
 FIG. 5 is a rear elevational view thereof; and,
 FIG. 6 is a top plan view.
 The broken line showing of display gauges and base extension is for illustrative purposes only and forms no part of the claimed design.

(56) **References Cited**

U.S. PATENT DOCUMENTS

D195,783 S	*	7/1963	Woods, Jr.	D12/192
D375,477 S	*	11/1996	Kulla et al.	D12/192
D413,294 S	*	8/1999	Lagaay	D12/192

1 Claim, 5 Drawing Sheets



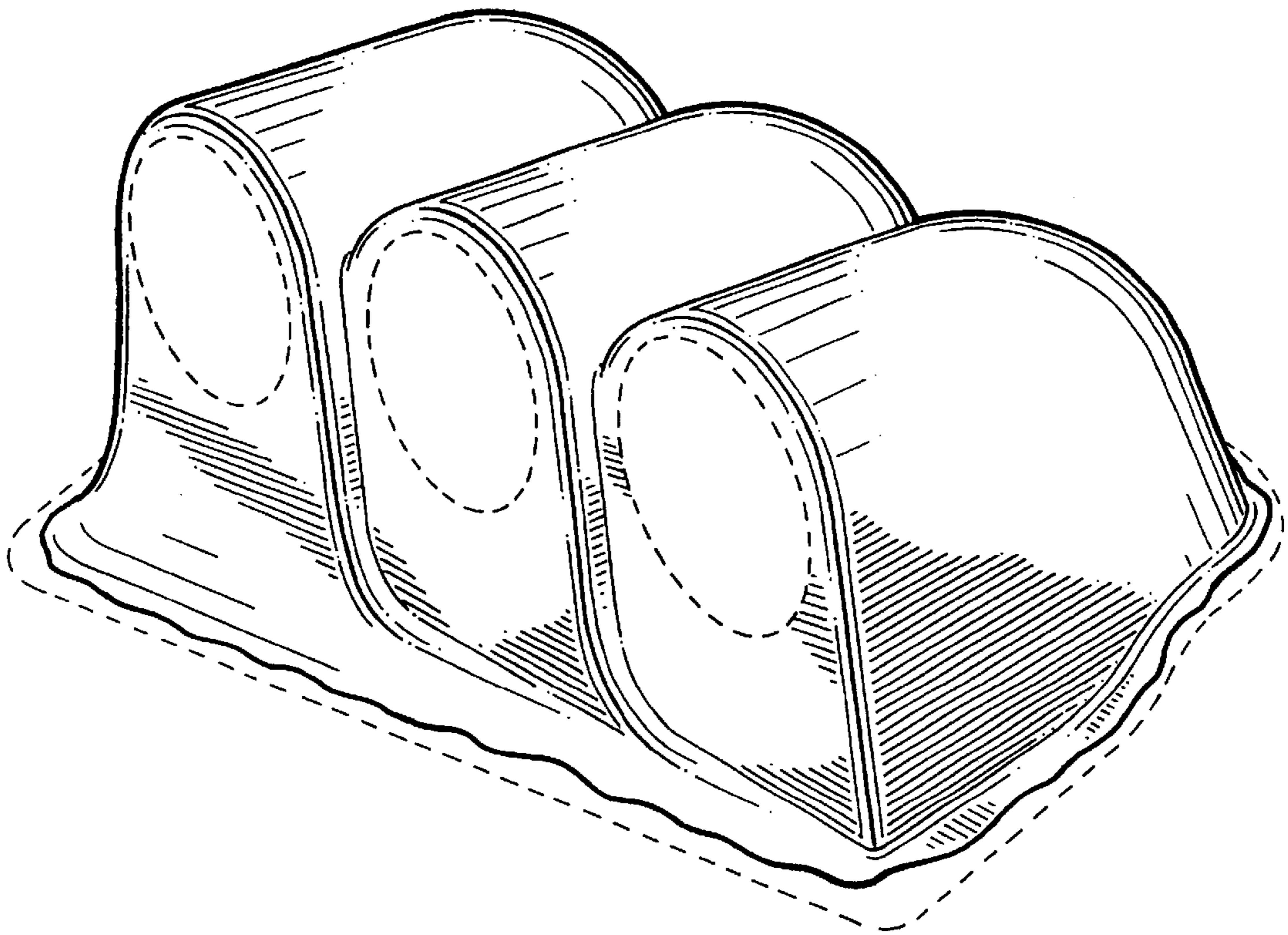


FIG. 1

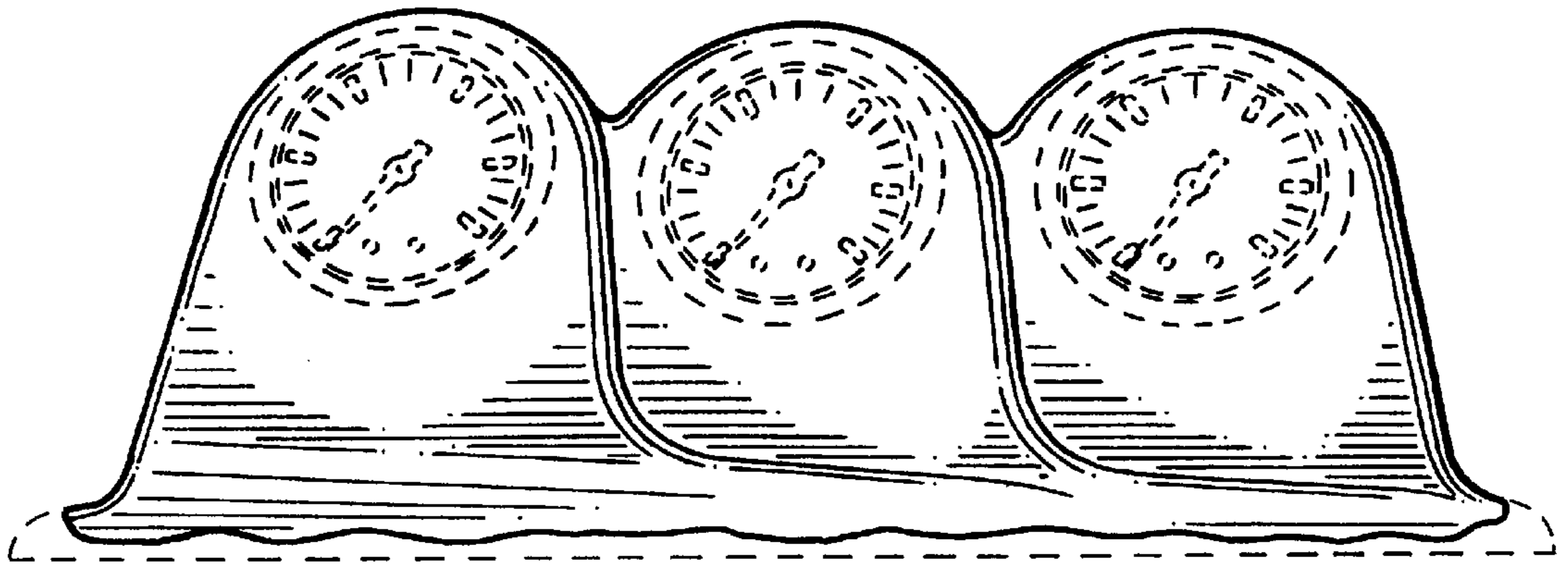


FIG.2

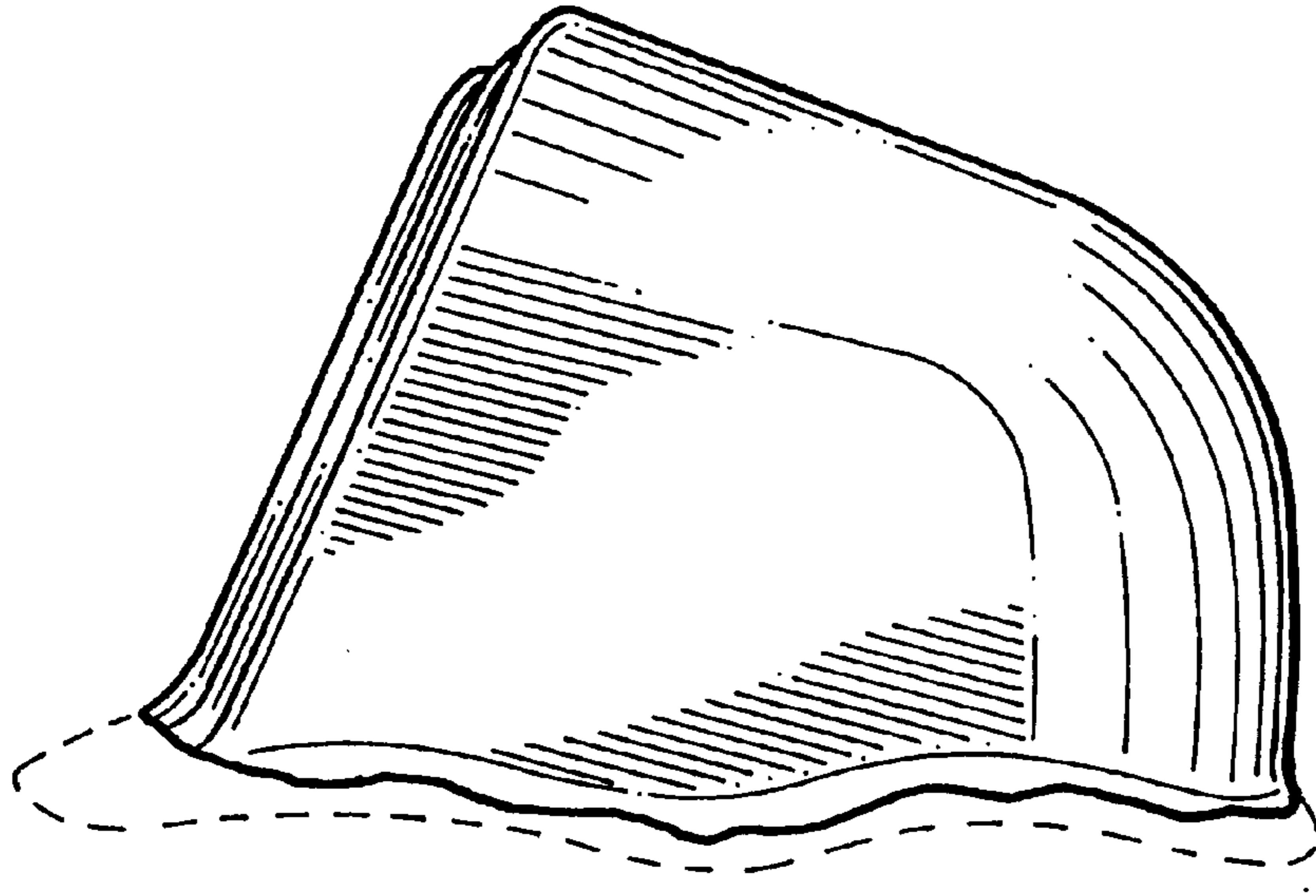


FIG. 3

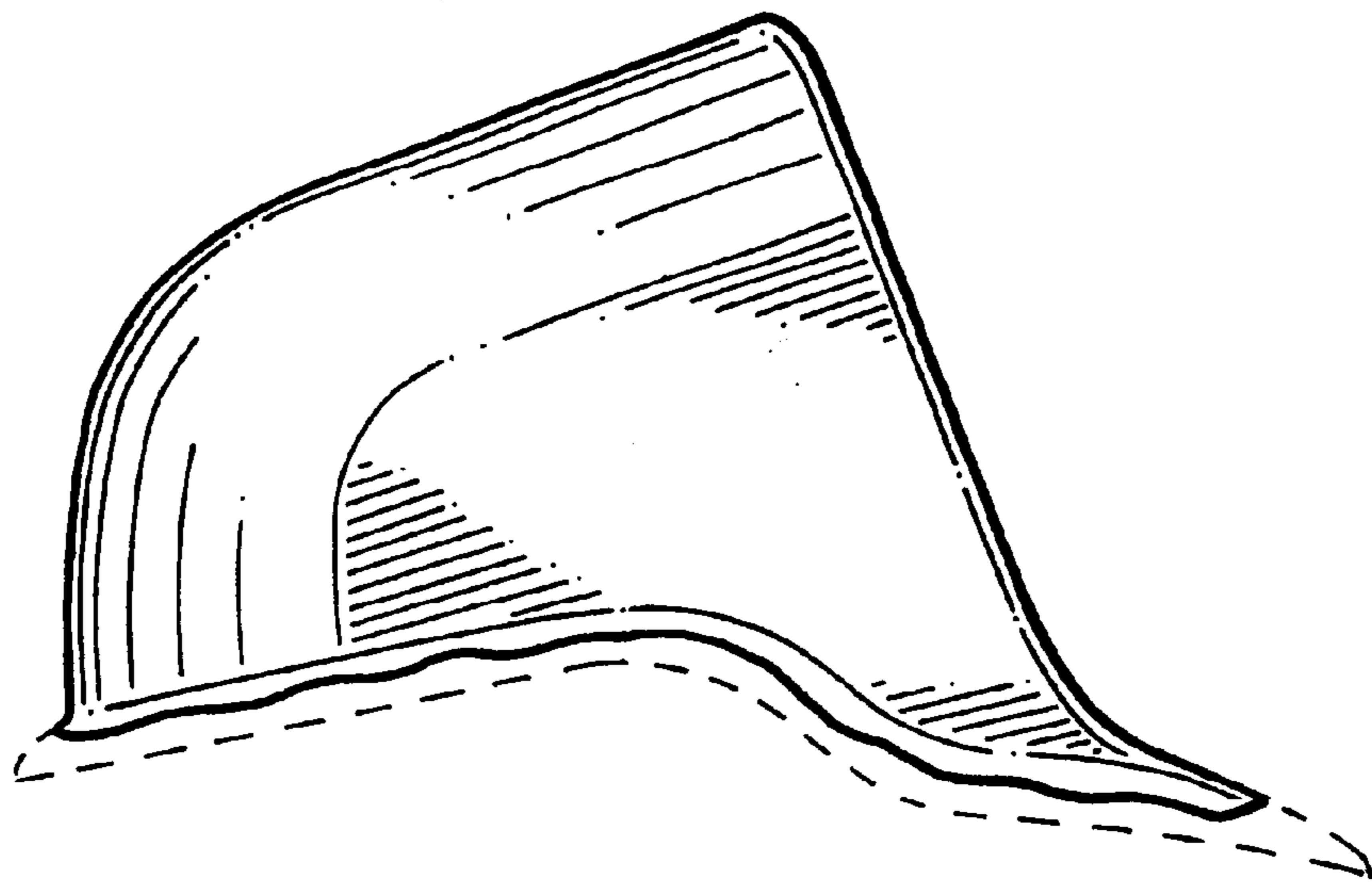


FIG. 4

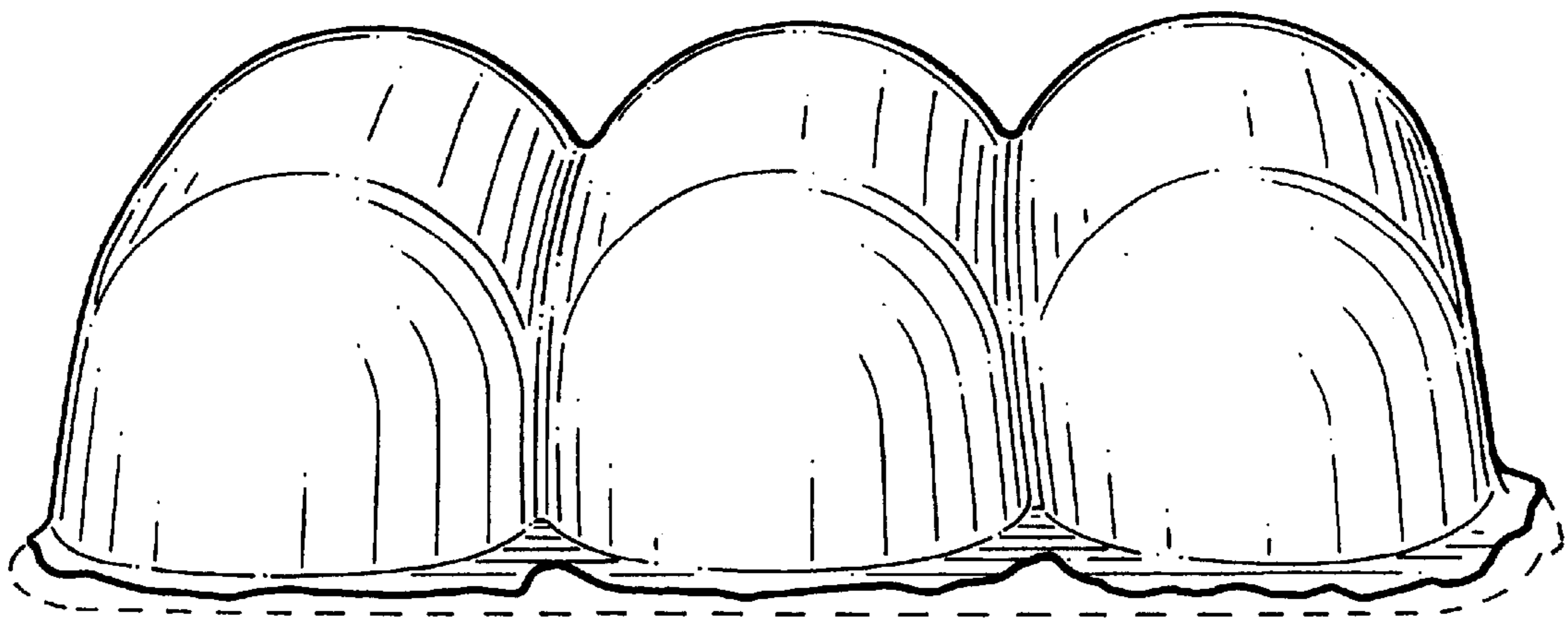


FIG.5

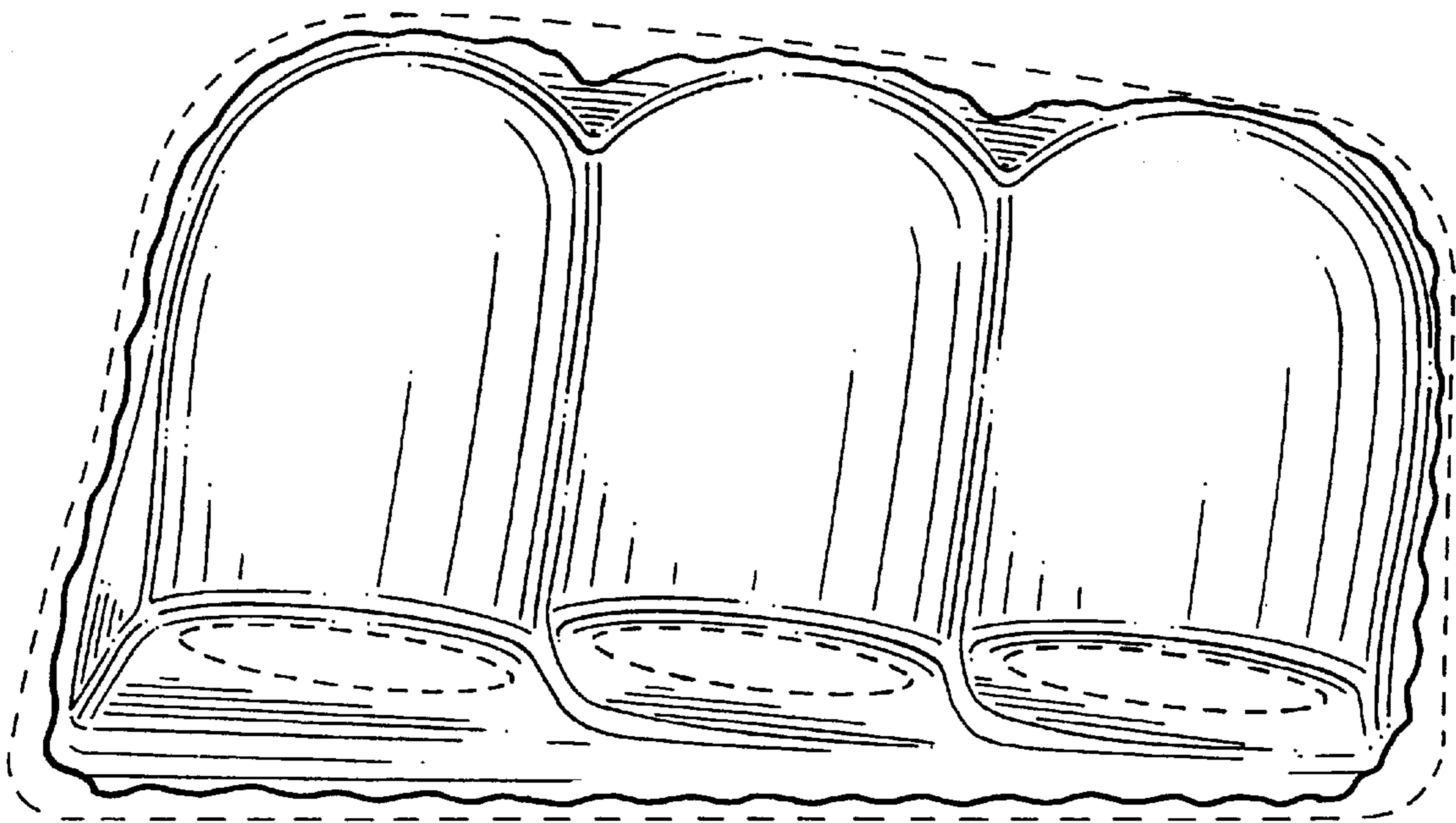


FIG. 6