



US00D486429S

(12) **United States Design Patent**
Daykin

(10) **Patent No.:** **US D486,429 S**

(45) **Date of Patent:** **** Feb. 10, 2004**

(54) **FOLDABLE STROLLER**

(75) Inventor: **Kevin Daykin**, Northants (GB)

(73) Assignee: **Armon Ltd**, Geneva (CH)

(**) Term: **14 Years**

(21) Appl. No.: **29/164,662**

(22) Filed: **Jul. 29, 2002**

(30) **Foreign Application Priority Data**

Jan. 29, 2002 (GB) 3001033

(51) **LOC (7) Cl.** **12-12**

(52) **U.S. Cl.** **D12/129**

(58) **Field of Search** D12/128-133;
280/42, 642, 643, 644, 647, 648, 650, 658

(56) **References Cited**

U.S. PATENT DOCUMENTS

D429,184 S * 8/2000 Yang D12/129

D455,103 S * 4/2002 Tsai D12/129

D455,680 S * 4/2002 Huang D12/129

D463,332 S * 9/2002 Wu D12/129

* cited by examiner

Primary Examiner—Marcus A. Jackson

(74) *Attorney, Agent, or Firm*—Herbert Dubno

(57) **CLAIM**

The ornamental design for a foldable stroller, as shown and described.

DESCRIPTION

FIG. 1 is a front elevational view of a foldable stroller showing my new design;

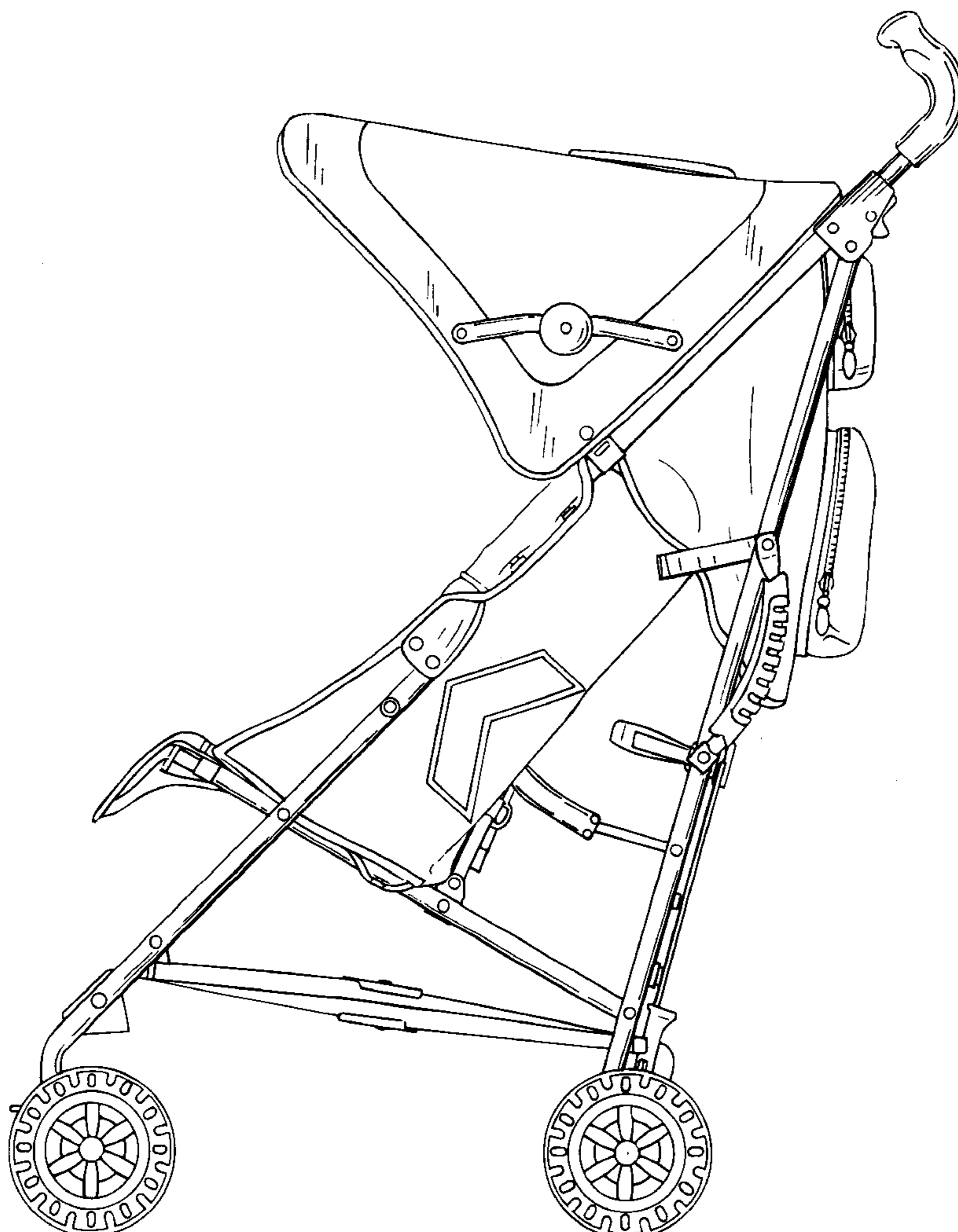
FIG. 2 is a rear elevational view thereof;

FIG. 3 is a left side elevational view thereof, the right side elevational view being mirror symmetrical thereto;

FIG. 4 is a top plan view thereof; and,

FIG. 5 is a bottom plan view thereof.

1 Claim, 5 Drawing Sheets



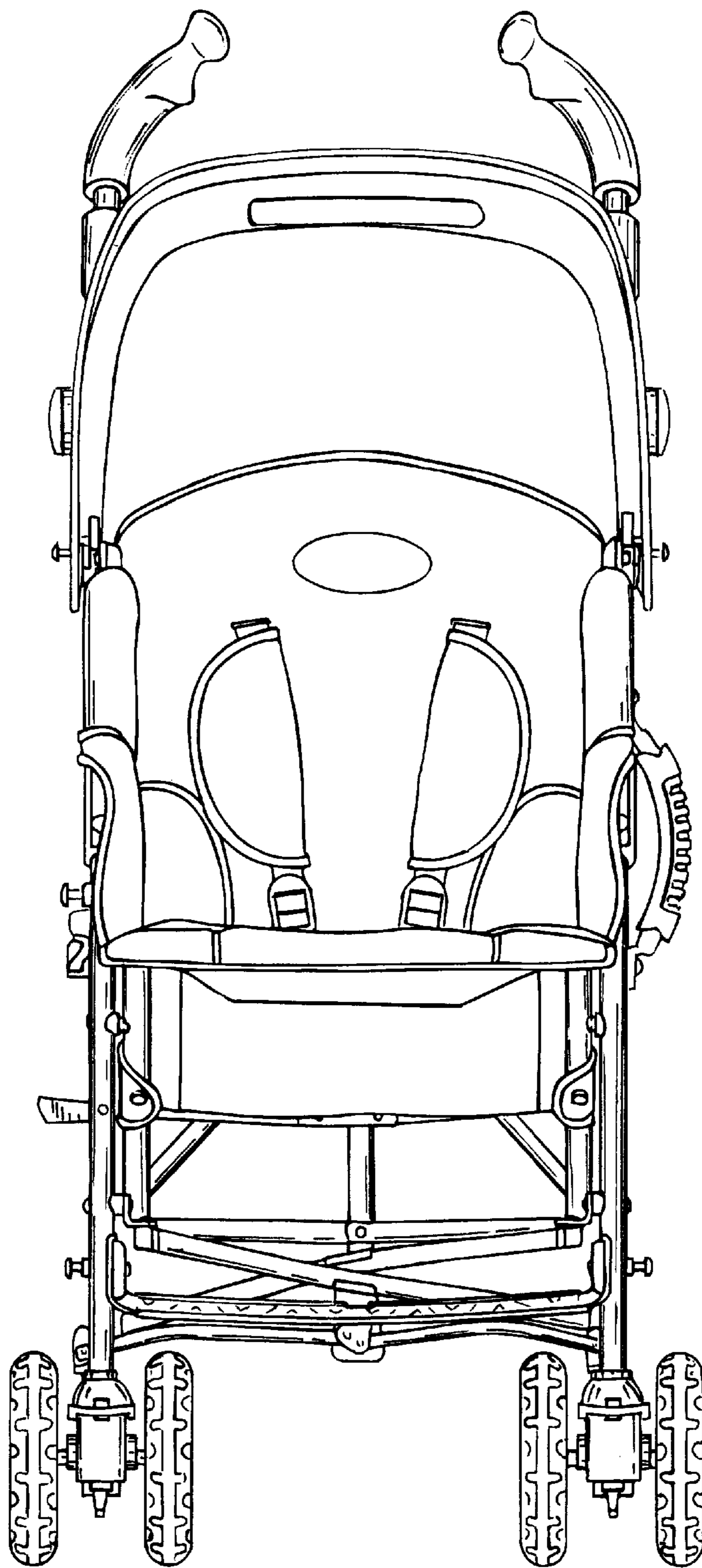


FIG. 1

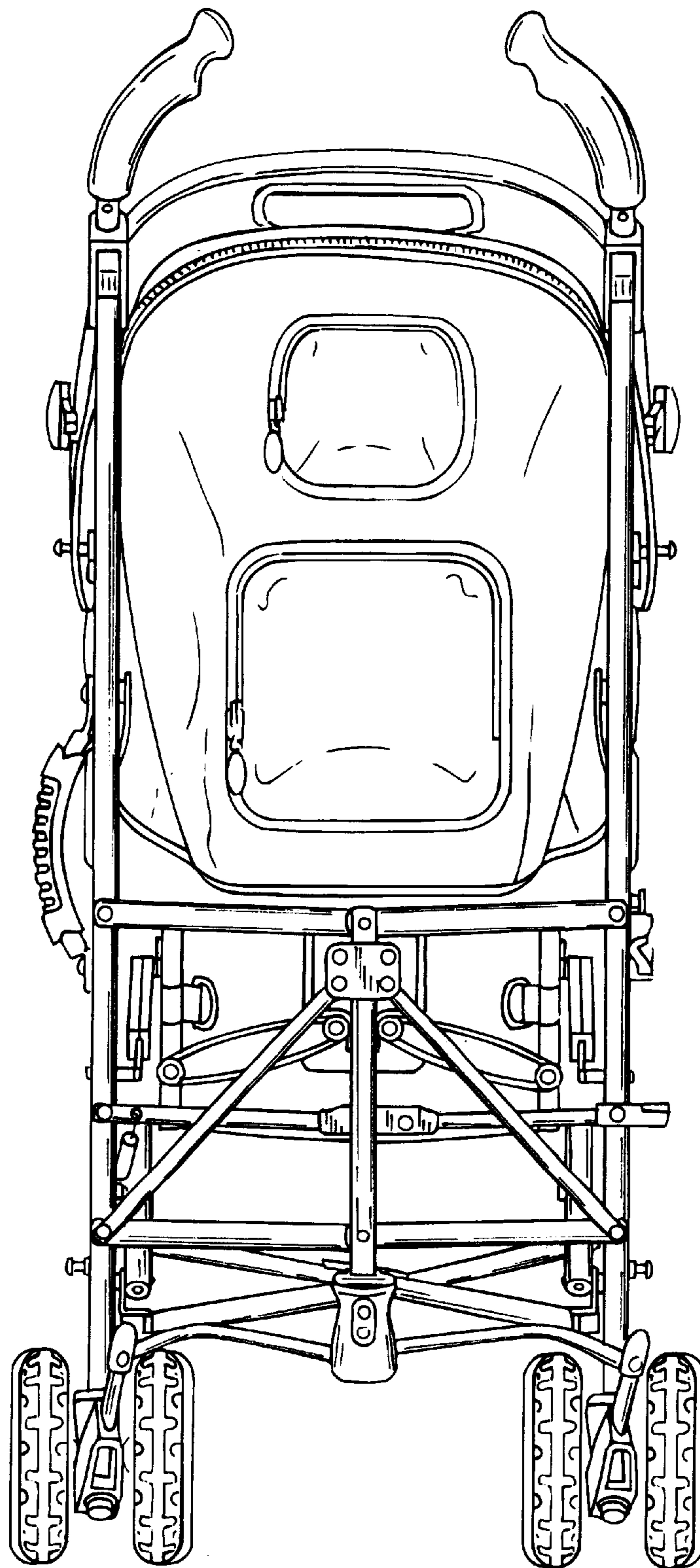


FIG.2

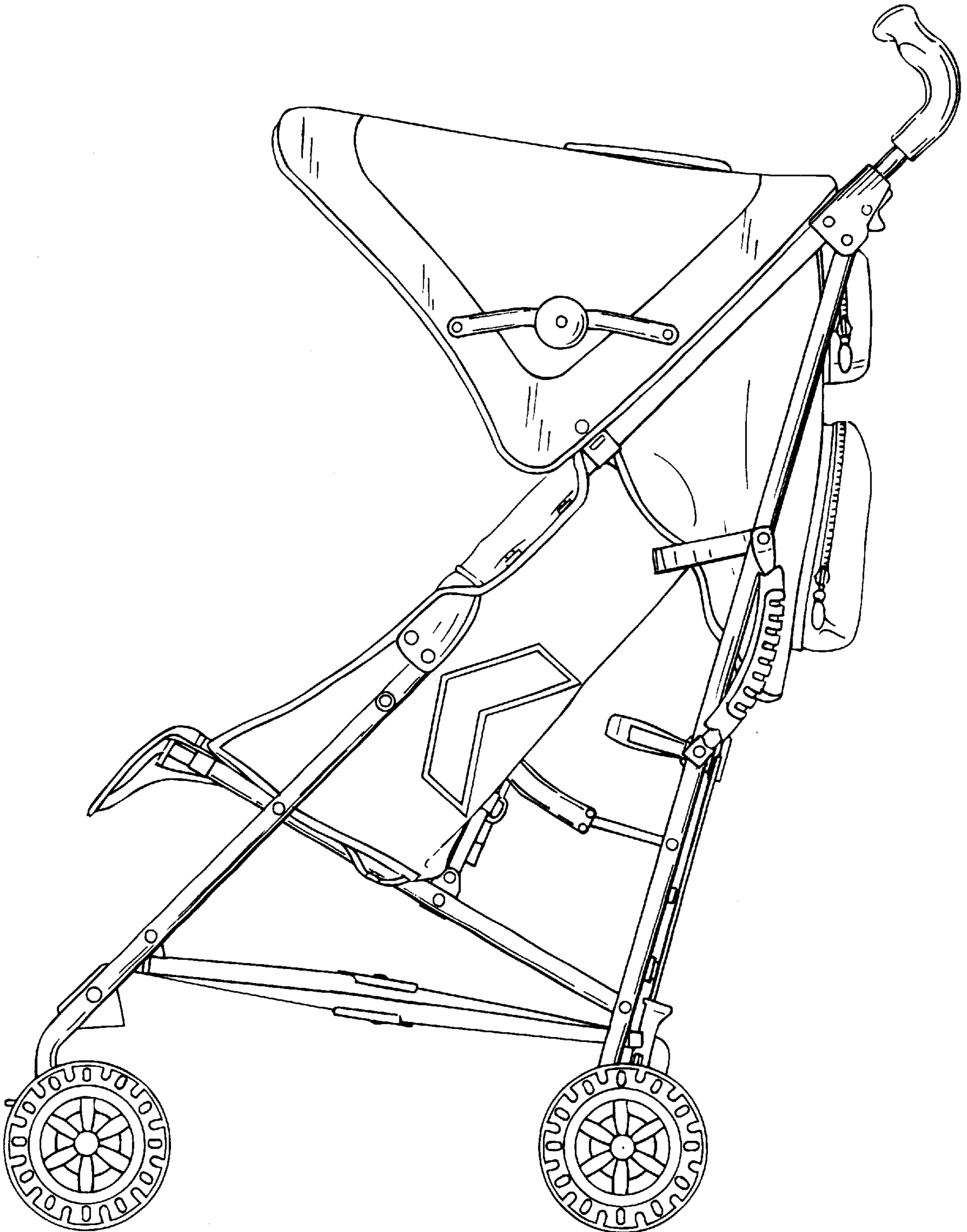


FIG. 3

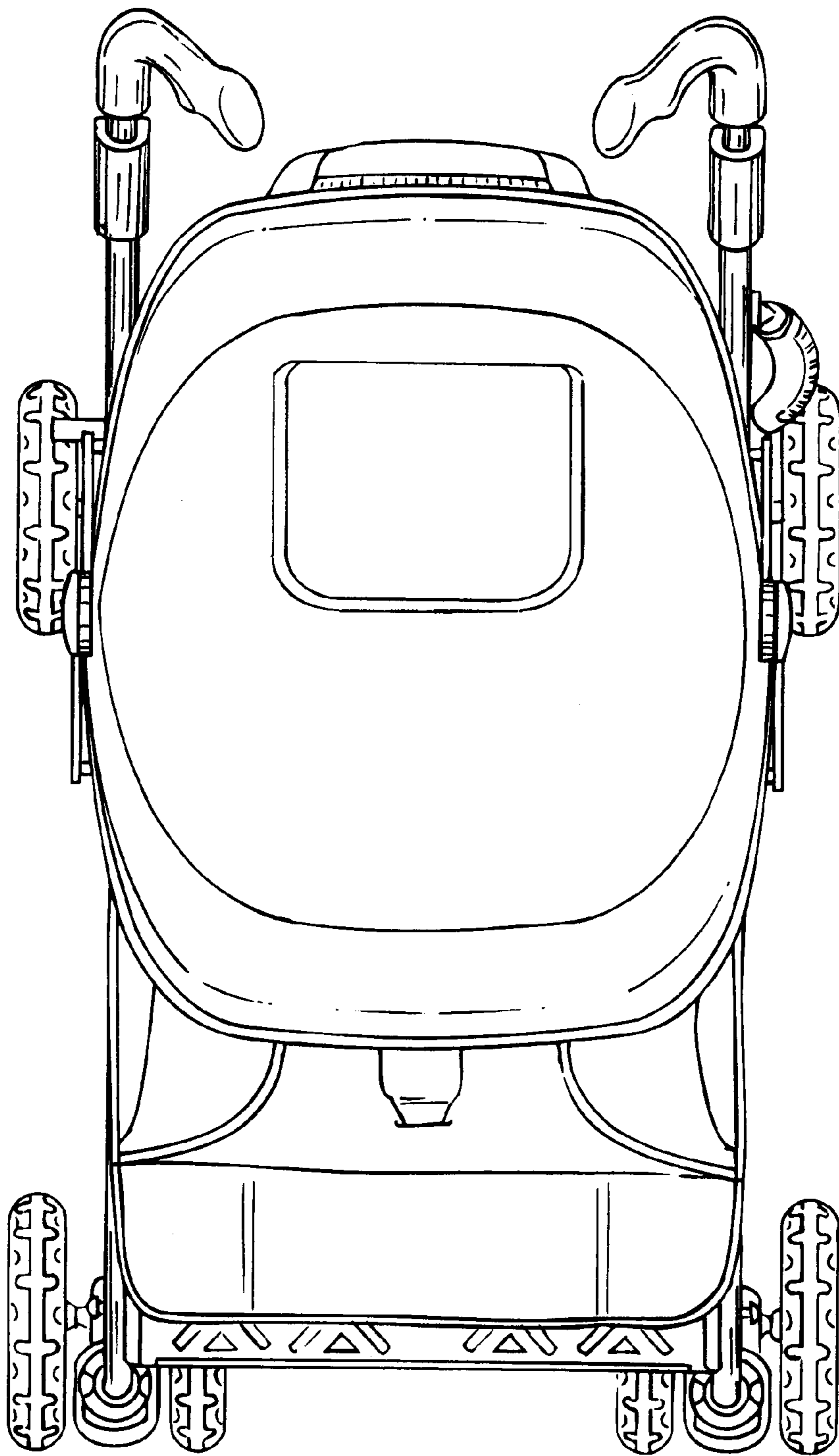


FIG. 4

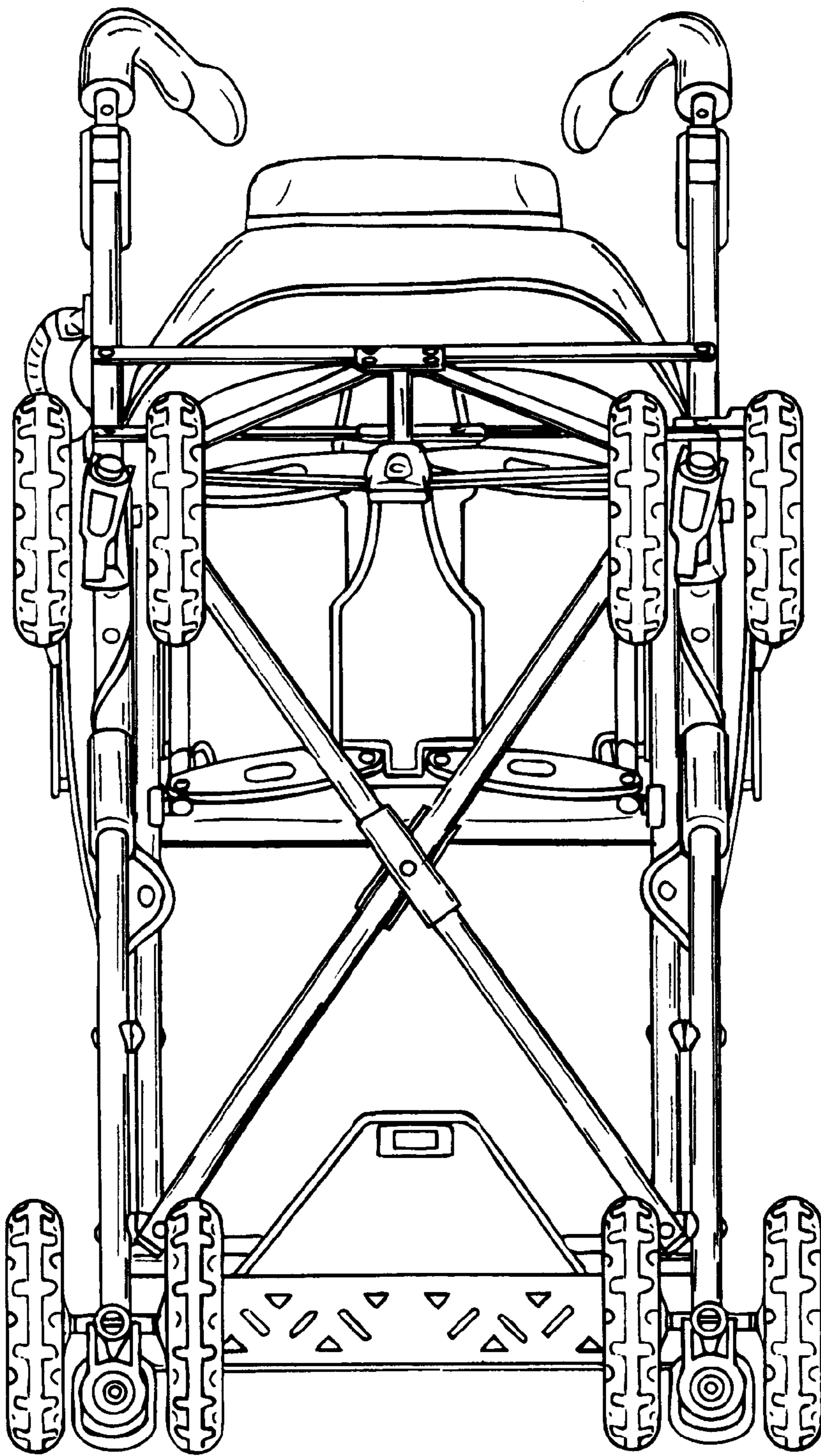


FIG. 5