



US00D486428S

(12) **United States Design Patent**
Daykin

(10) **Patent No.:** **US D486,428 S**

(45) **Date of Patent:** **** Feb. 10, 2004**

(54) **FOLDABLE STROLLER**

D450,266 S * 11/2001 Lin D12/129
D463,330 S * 9/2002 Yang et al. D12/129

(75) Inventor: **Kevin Daykin**, Northants (GB)

* cited by examiner

(73) Assignee: **Armon Ltd**, Geneva (CH)

Primary Examiner—Marcus A. Jackson

(**) Term: **14 Years**

(74) *Attorney, Agent, or Firm*—Herbert Dubno

(21) Appl. No.: **29/164,527**

(57) **CLAIM**

(22) Filed: **Jul. 25, 2002**

The ornamental design for a foldable stroller, as shown and described.

(30) **Foreign Application Priority Data**

DESCRIPTION

Jan. 25, 2002 (GB) 3000905

(51) **LOC (7) Cl.** **12-12**

FIG. 1 is a front elevational view of a foldable stroller showing my new design;

(52) **U.S. Cl.** **D12/129**

FIG. 2 is a rear elevational view thereof;

(58) **Field of Search** D12/128-133;
280/42, 642, 643, 644, 647, 648, 650, 658

FIG. 3 is a left side elevational view thereof, the right side elevational view being mirror symmetrical thereto;

(56) **References Cited**

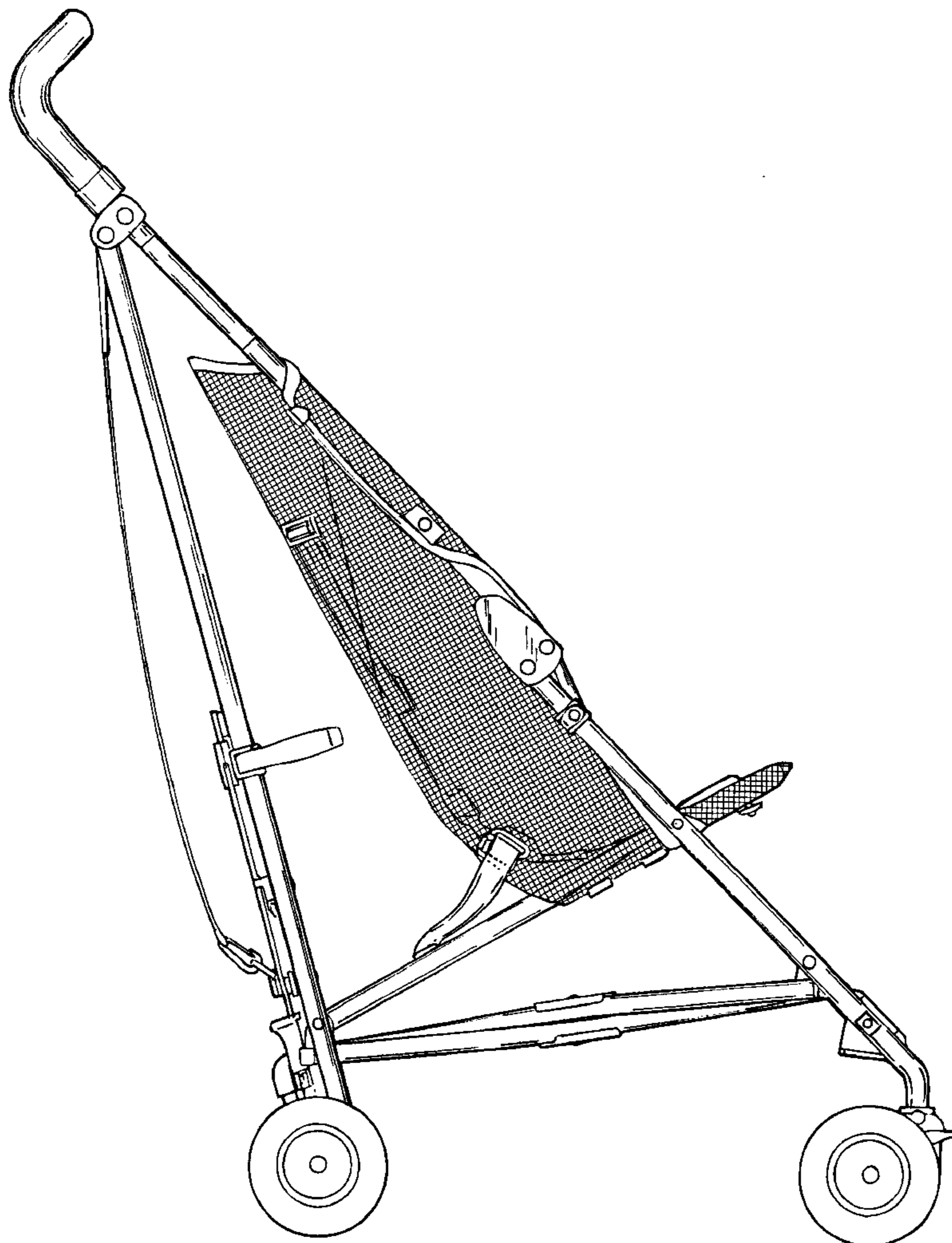
FIG. 4 is a top plan view thereof; and,

FIG. 5 is a bottom plan view thereof.

U.S. PATENT DOCUMENTS

D434,704 S * 12/2000 Huang D12/129

1 Claim, 5 Drawing Sheets



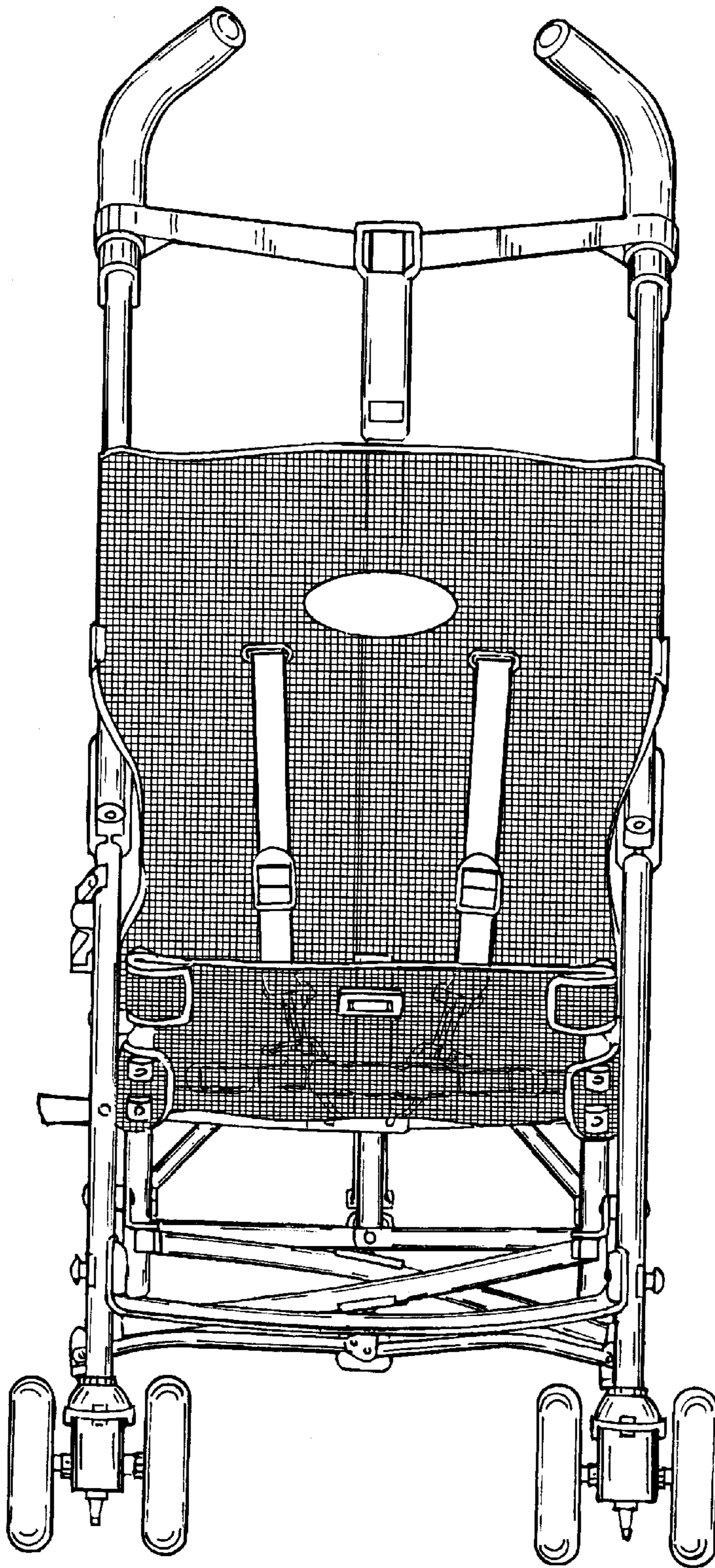


FIG.1

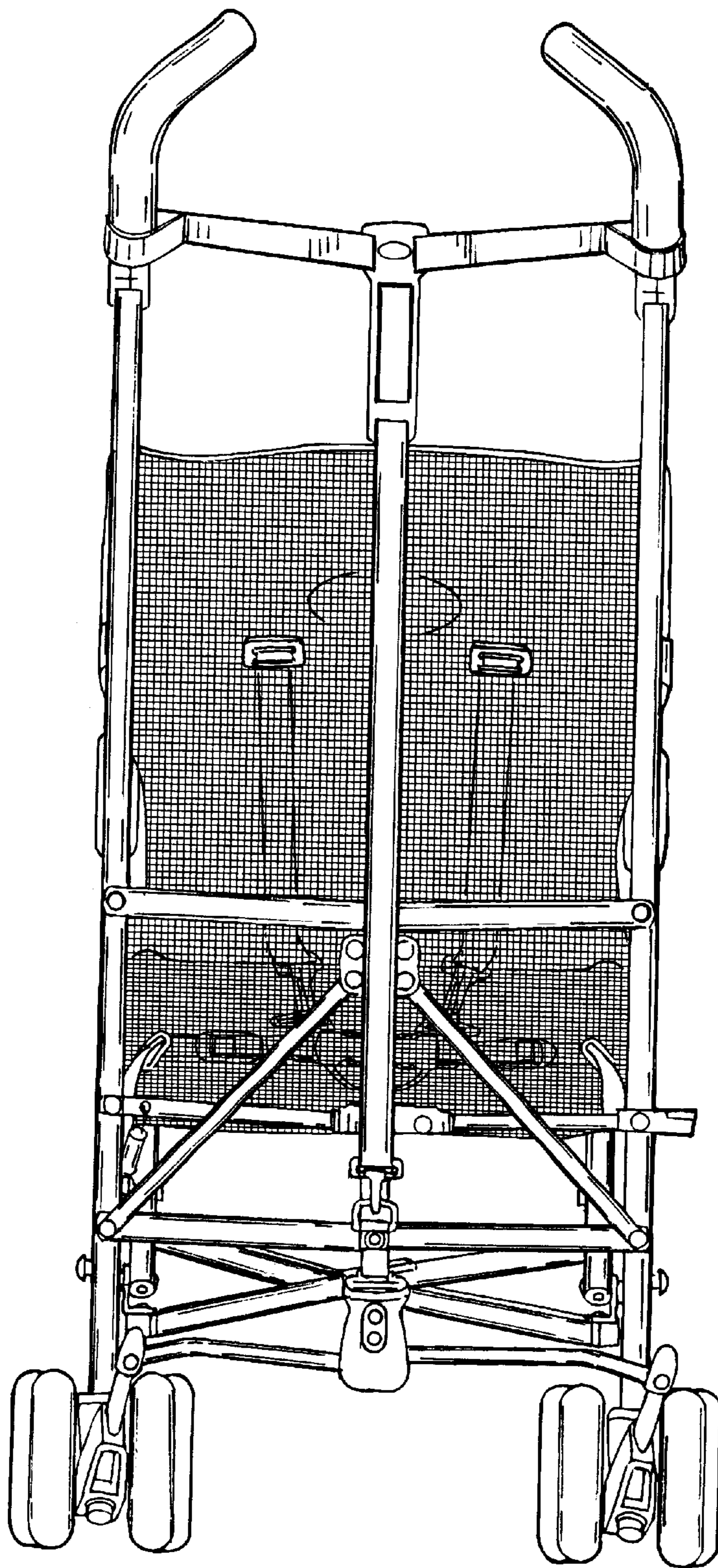


FIG.2

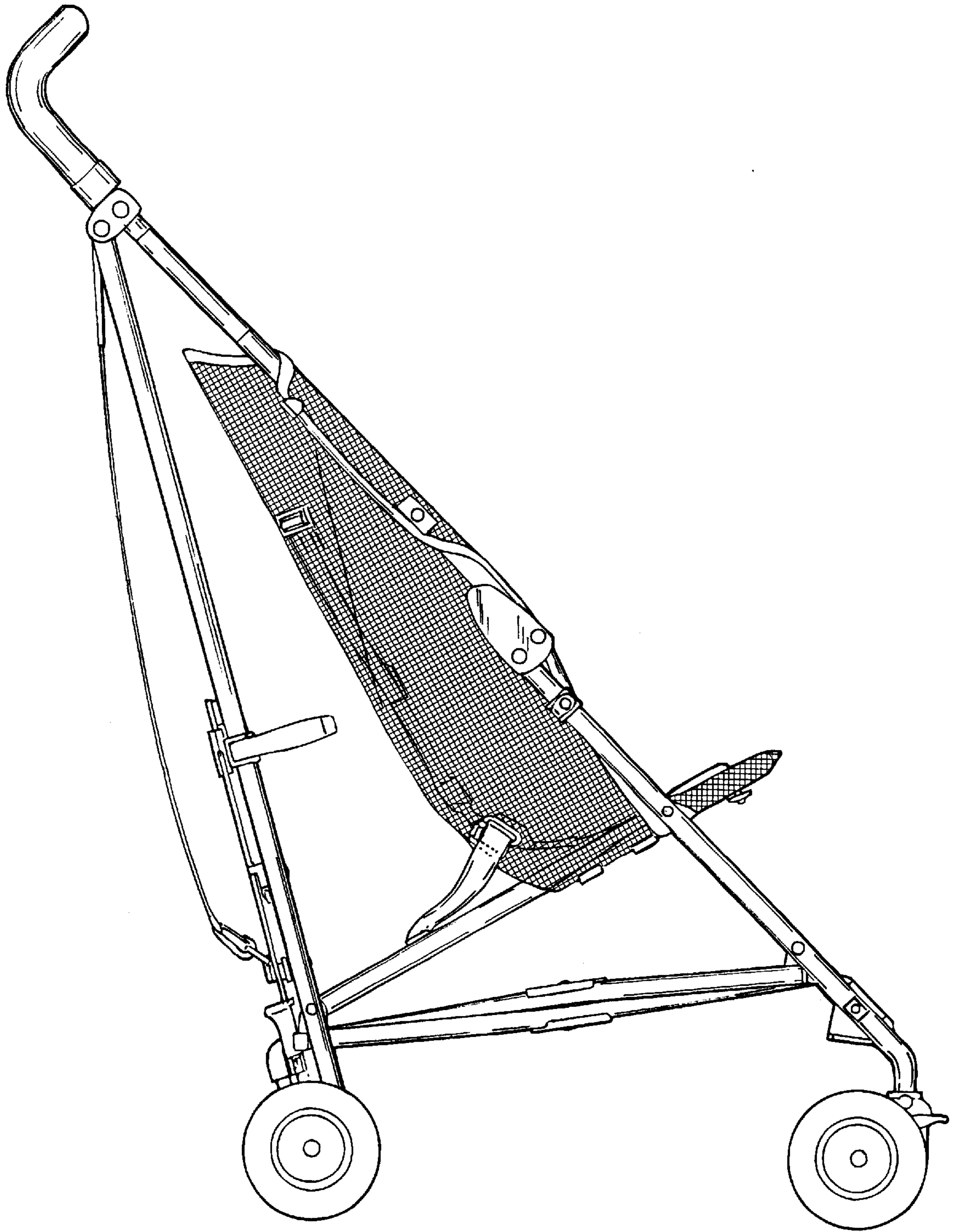


FIG. 3

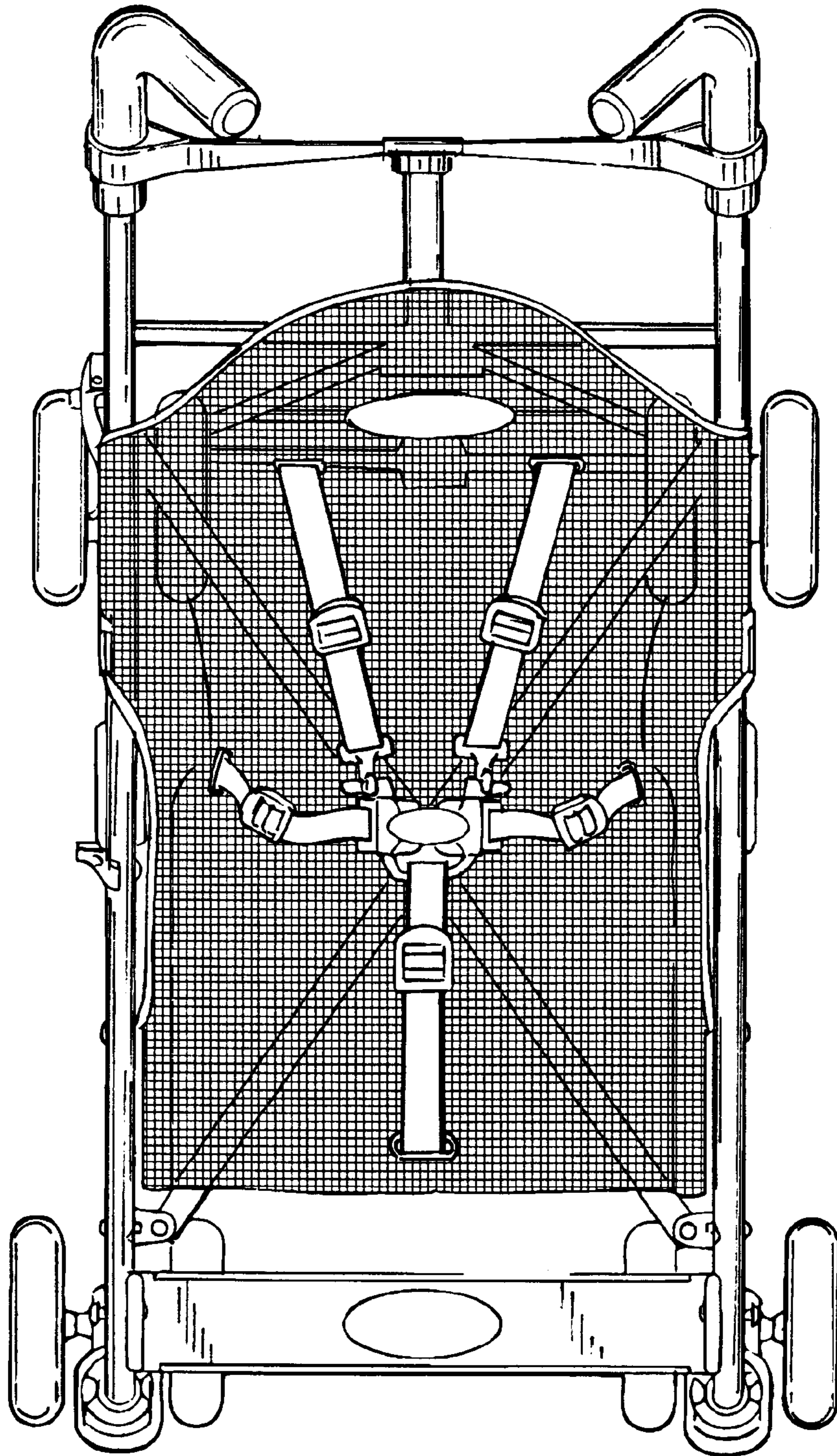


FIG.4

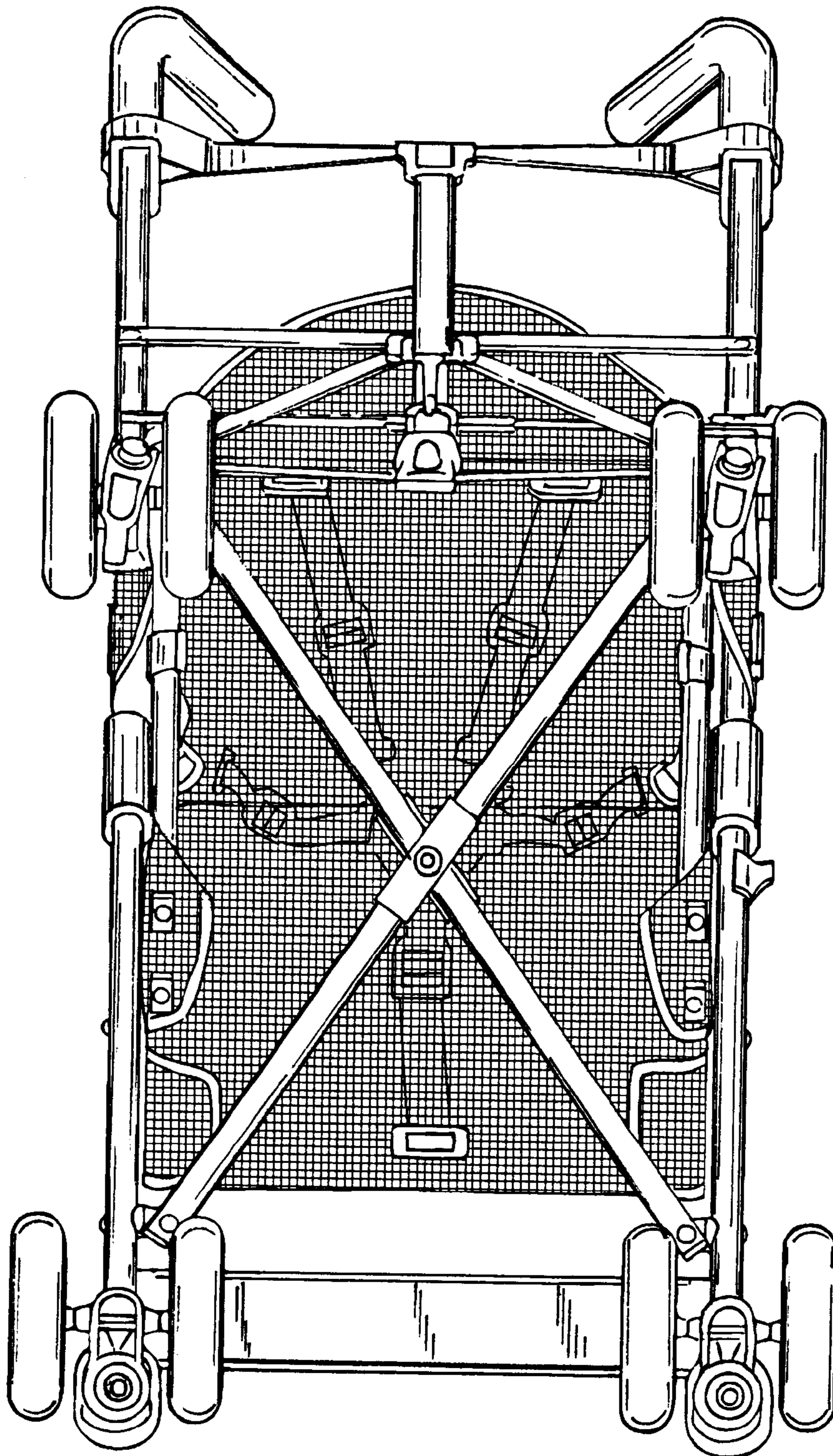


FIG.5