



US00D486427S

(12) **United States Design Patent**
Garza

(10) **Patent No.:** **US D486,427 S**

(45) **Date of Patent:** **** Feb. 10, 2004**

(54) **BABY STROLLER FRAME**

D463,762 S * 10/2002 Everett D12/129
D475,951 S * 6/2003 Everett D12/129

(75) Inventor: **Rene Garza**, Toppenish, WA (US)

* cited by examiner

(73) Assignee: **Bag Boy, LLC**, Richmond, VA (US)

Primary Examiner—Marcus A. Jackson

(**) Term: **14 Years**

(74) *Attorney, Agent, or Firm*—Davis Wright Tremaine LLP; George C. Rondeau, Jr.

(21) Appl. No.: **29/140,608**

(57) **CLAIM**

(22) Filed: **Apr. 19, 2001**

The ornamental design for a baby stroller frame, as shown and described.

Related U.S. Application Data

DESCRIPTION

(60) Division of application No. 09/751,418, filed on Dec. 29, 2000, which is a continuation-in-part of application No. 09/699,045, filed on Oct. 27, 2000, which is a continuation-in-part of application No. 29/131,827, filed on Oct. 27, 2000.

FIG. 1 is a first front perspective view of a baby stroller frame showing my new design with a seat and wheels shown in broken lines.

(51) **LOC (7) Cl.** **12-12**

FIG. 2 is a second front perspective view thereof without the seat.

(52) **U.S. Cl.** **D12/129**

FIG. 3 is a top plan view thereof.

(58) **Field of Search** D12/128–133;
280/39, 42, 642–650, 801, 801.1; 297/250.1,
484

FIG. 4 is a bottom plan view thereof.

FIG. 5 is a front elevational view thereof.

FIG. 6 is a rear elevational view thereof.

(56) **References Cited**

FIG. 7 is a left side elevational view thereof, the right side elevational view being a mirror image thereto.

U.S. PATENT DOCUMENTS

FIG. 8 is a front perspective view of a second embodiment thereof.

D356,760 S	3/1995	Baechler	D12/129
5,460,399 A	10/1995	Baechler et al.	280/650
D369,579 S	5/1996	Baechler	D12/133
D369,992 S	5/1996	Baechler	D12/129
D370,194 S	5/1996	Baechler et al.	D12/129
D397,316 S	8/1998	Baechler	D12/129
D409,531 S	5/1999	Baechler	D12/129
D418,780 S	1/2000	Everett et al.	D12/129
D442,895 S	5/2001	Chiu	D12/129
D445,367 S	* 7/2001	Black et al.	D12/129
D452,194 S	* 12/2001	Stohr et al.	D12/129
D452,197 S	* 12/2001	Martin et al.	D12/129

FIG. 9 is a top plan view thereof.

FIG. 10 is a bottom plan view thereof.

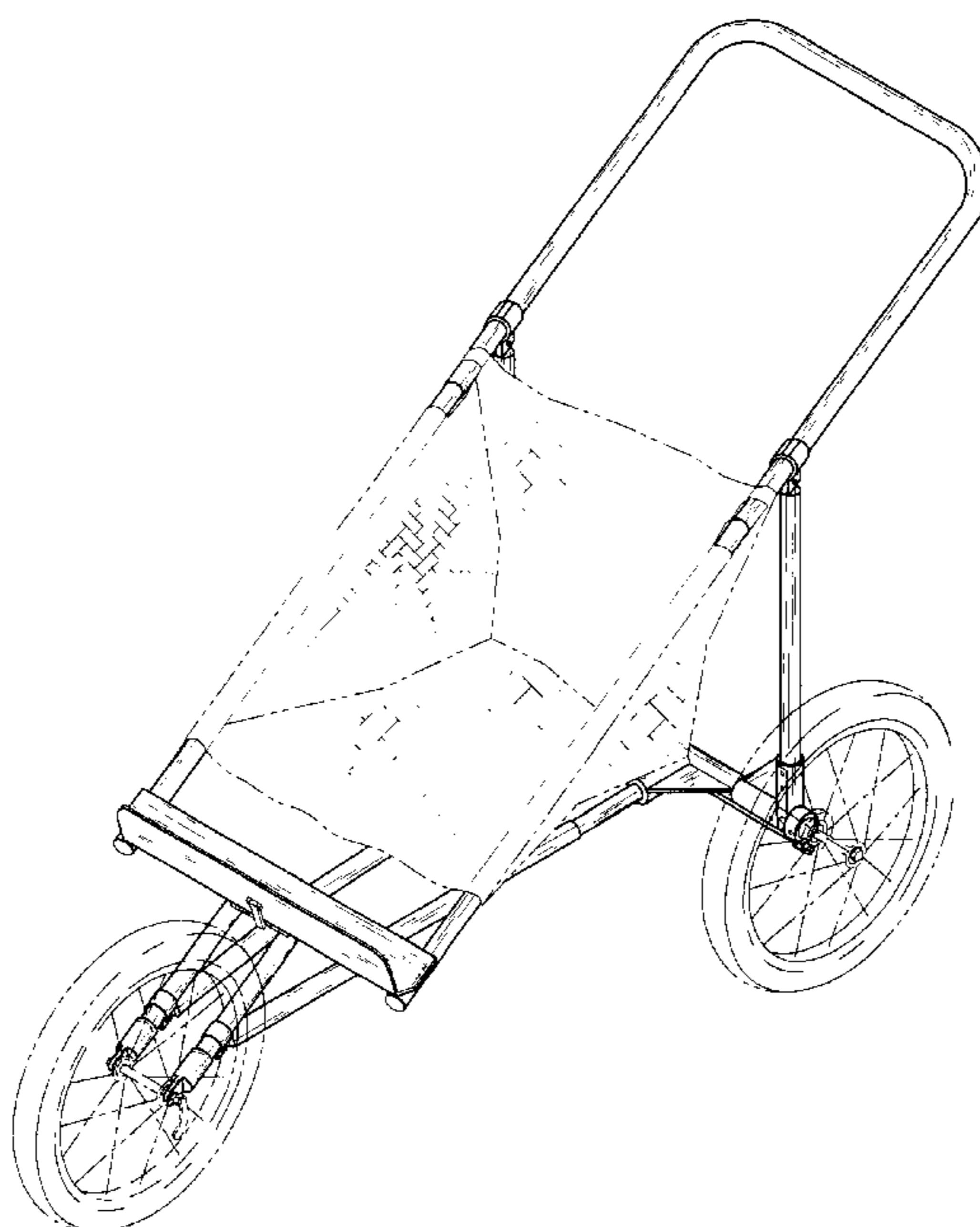
FIG. 11 is a front elevational view thereof.

FIG. 12 is a rear elevational view thereof; and,

FIG. 13 is a left side elevational view thereof, the right side elevational view being a mirror image thereto.

The broken lines are for illustrative purposes only and form no part of the claimed design.

1 Claim, 9 Drawing Sheets



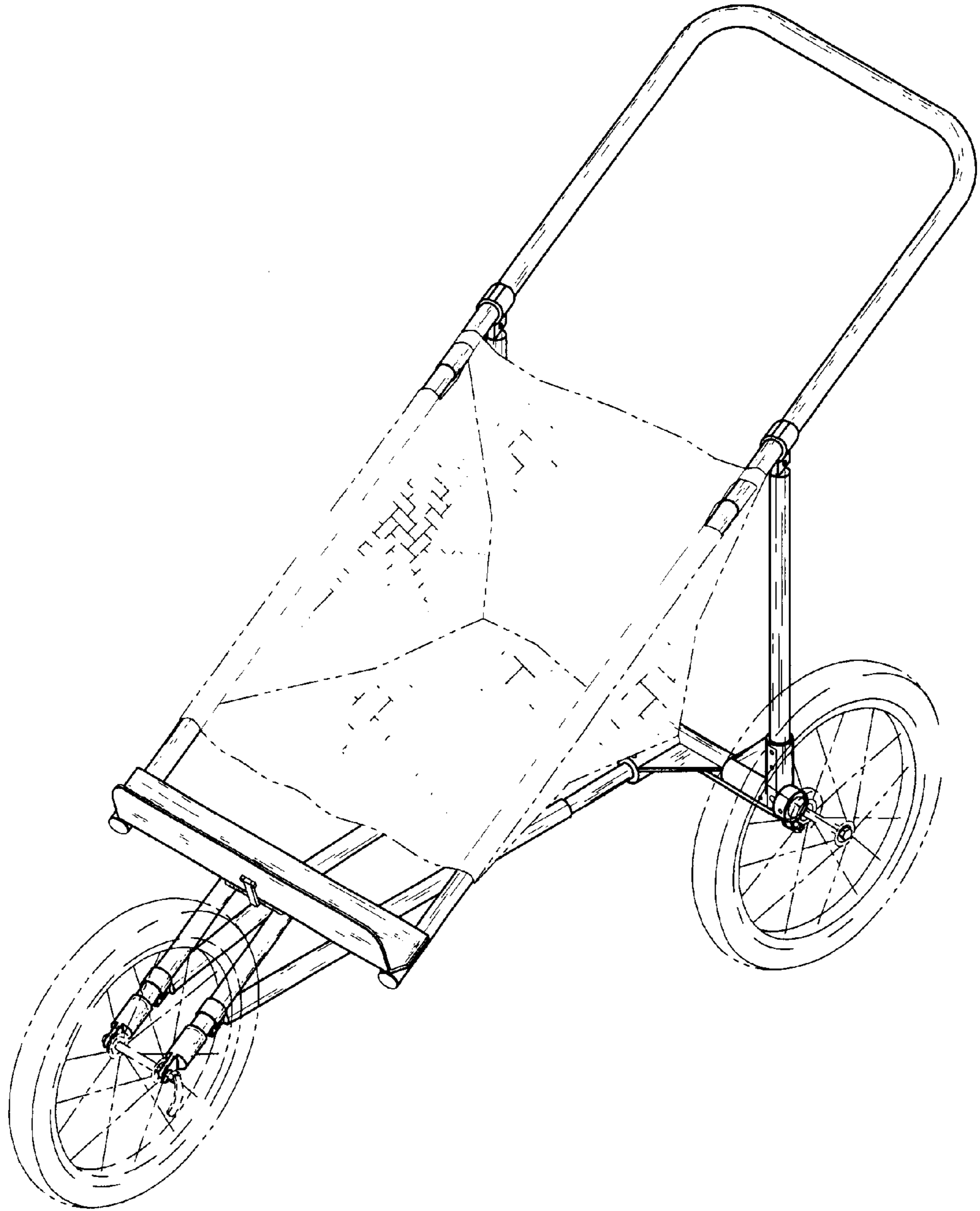


Fig. 1

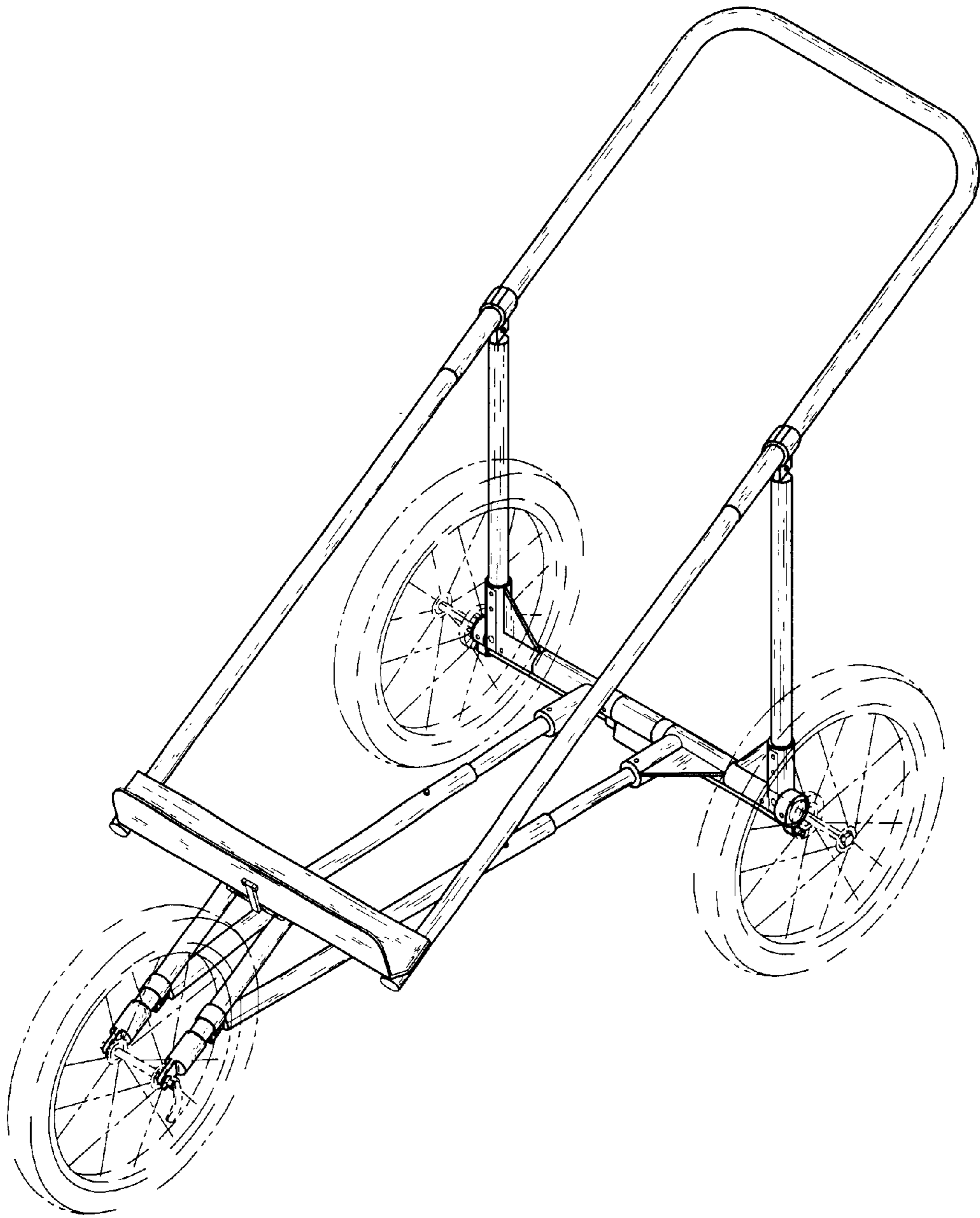


Fig. 2

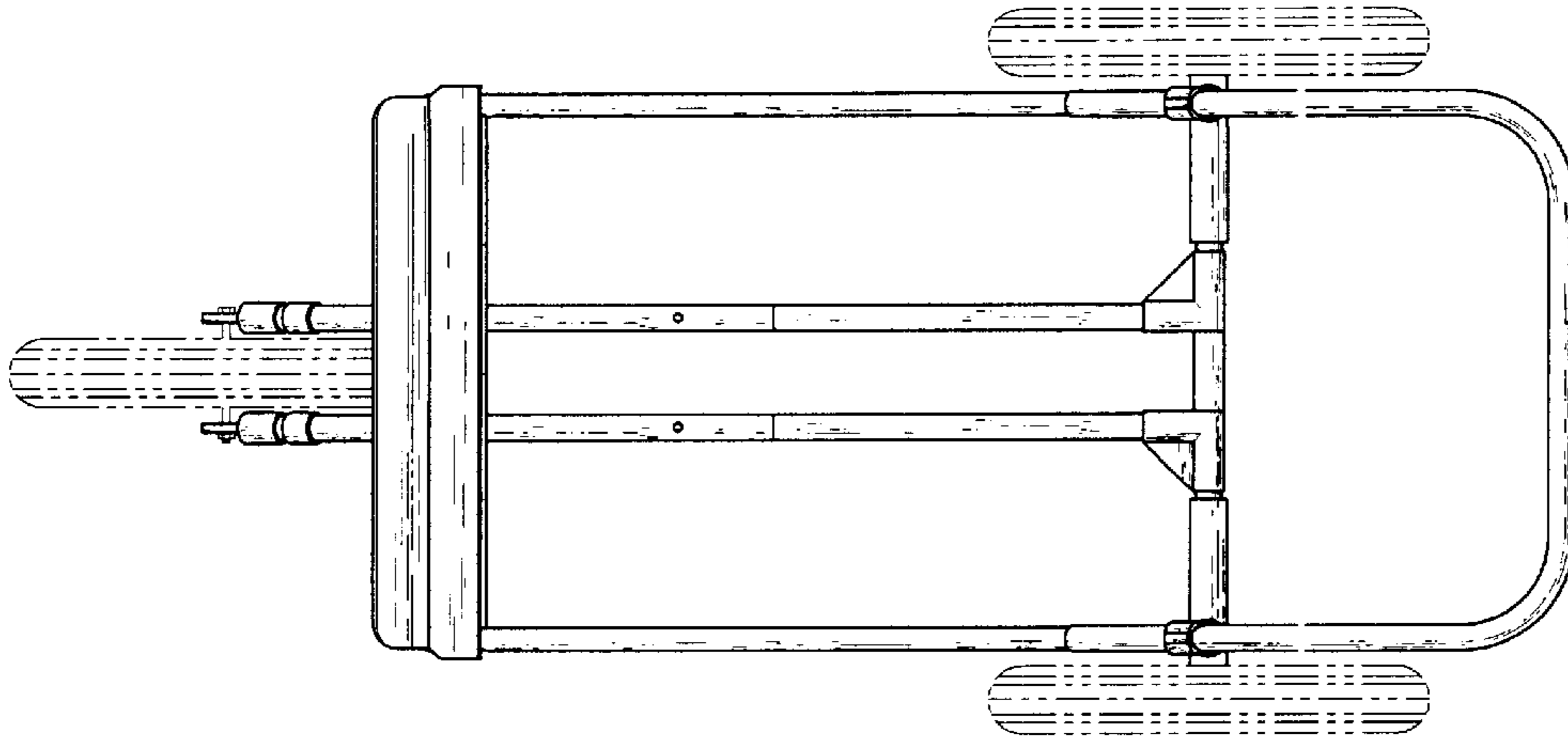


Fig. 3

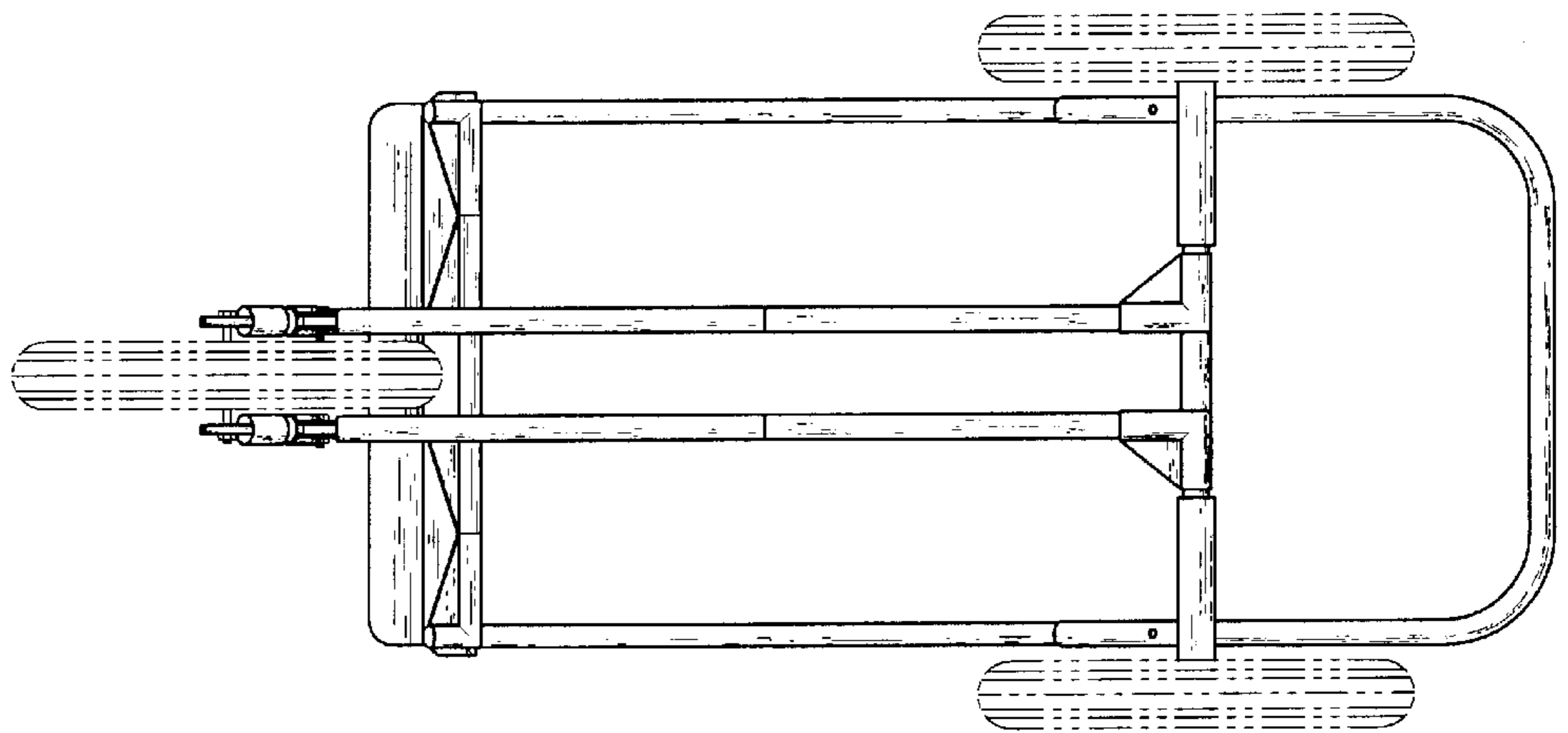


Fig. 4

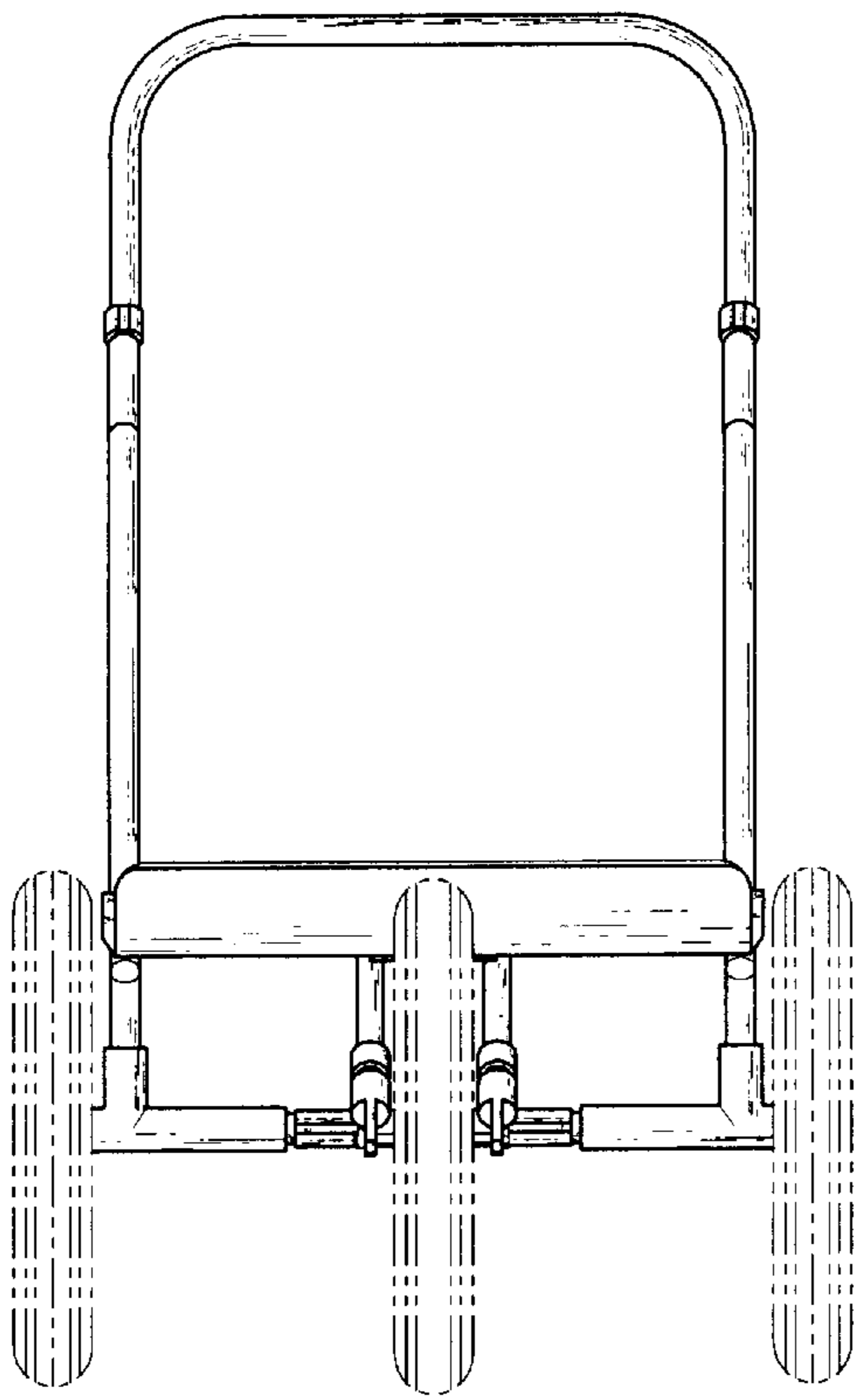


Fig. 5

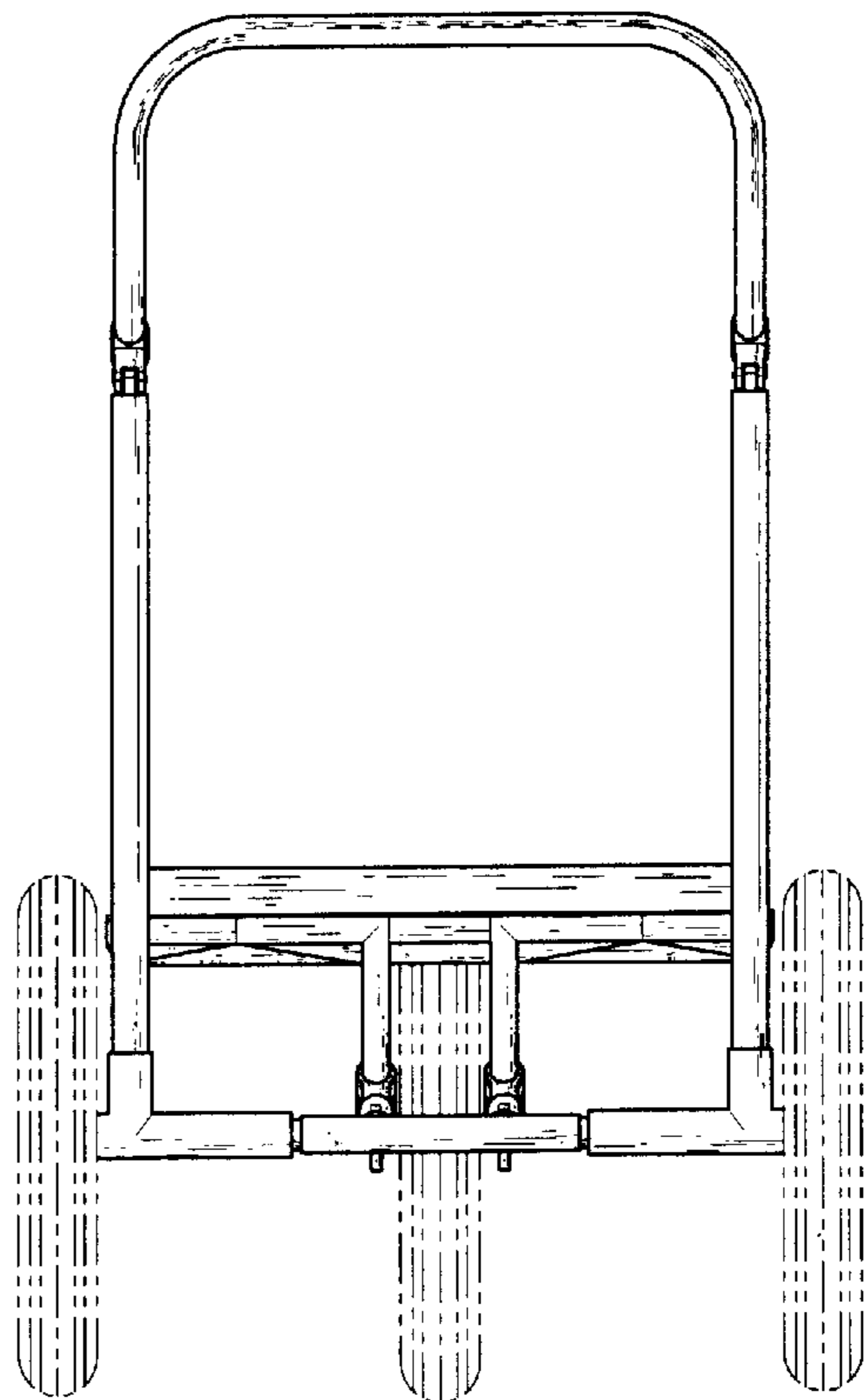


Fig. 6

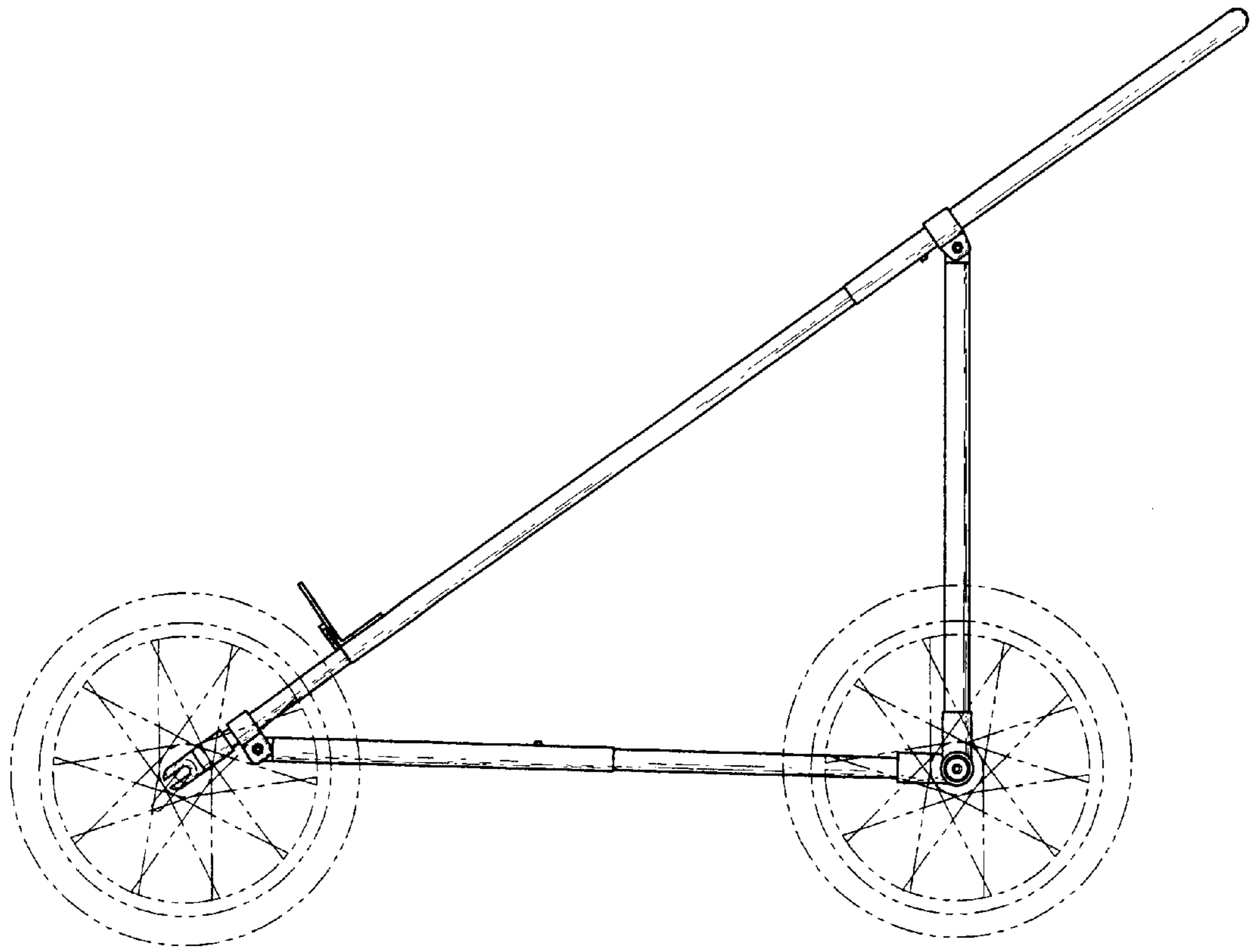


Fig. 7

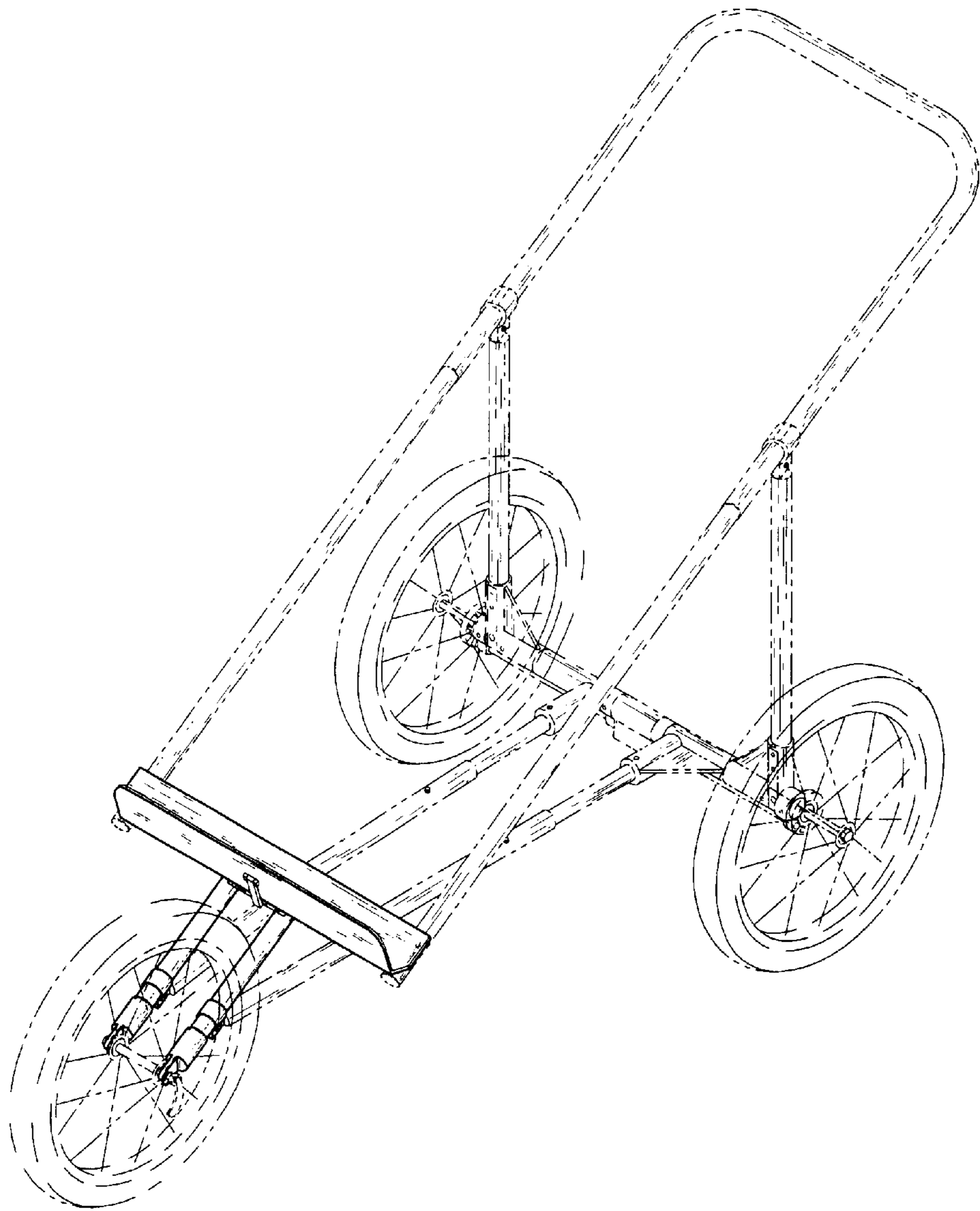


Fig. 8

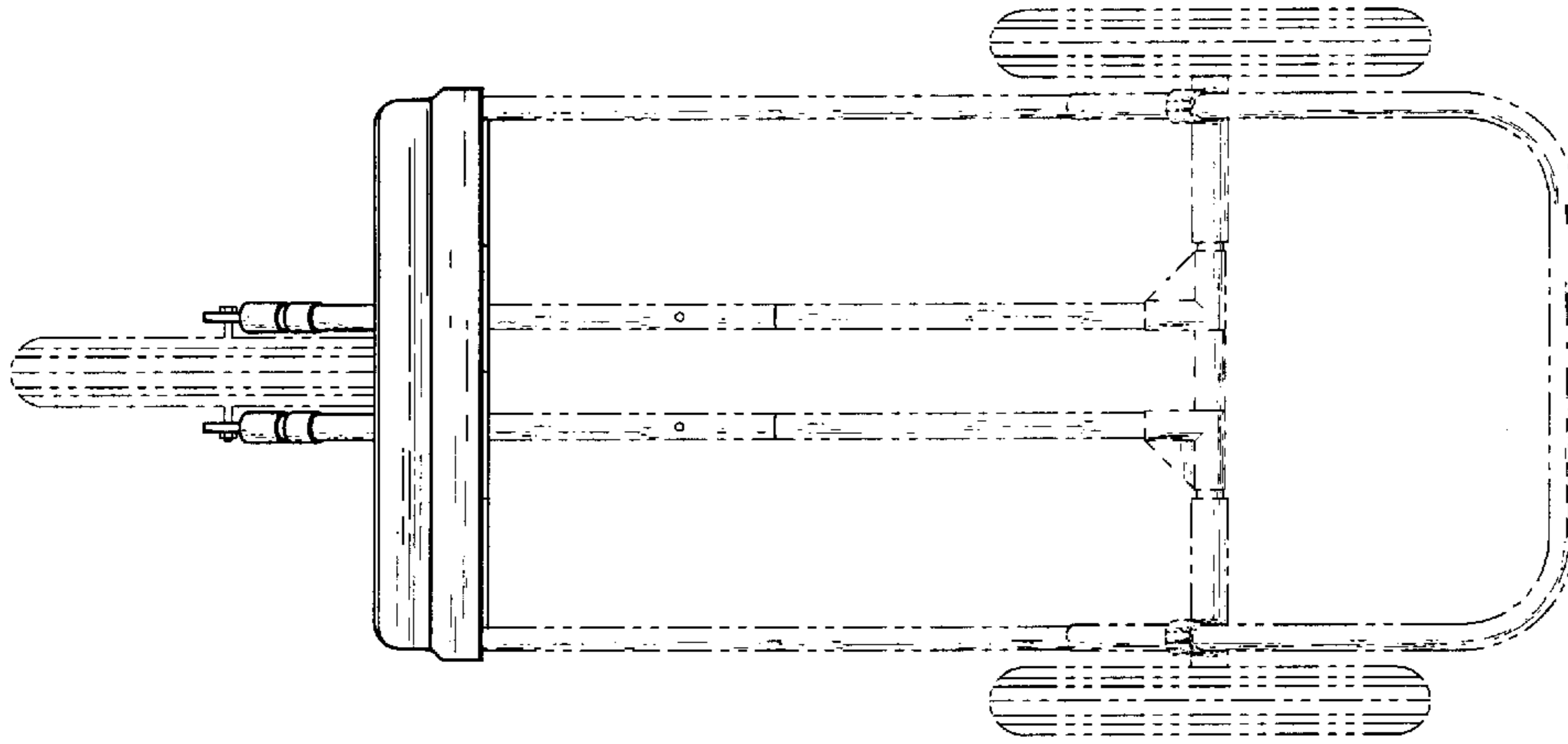


Fig. 9

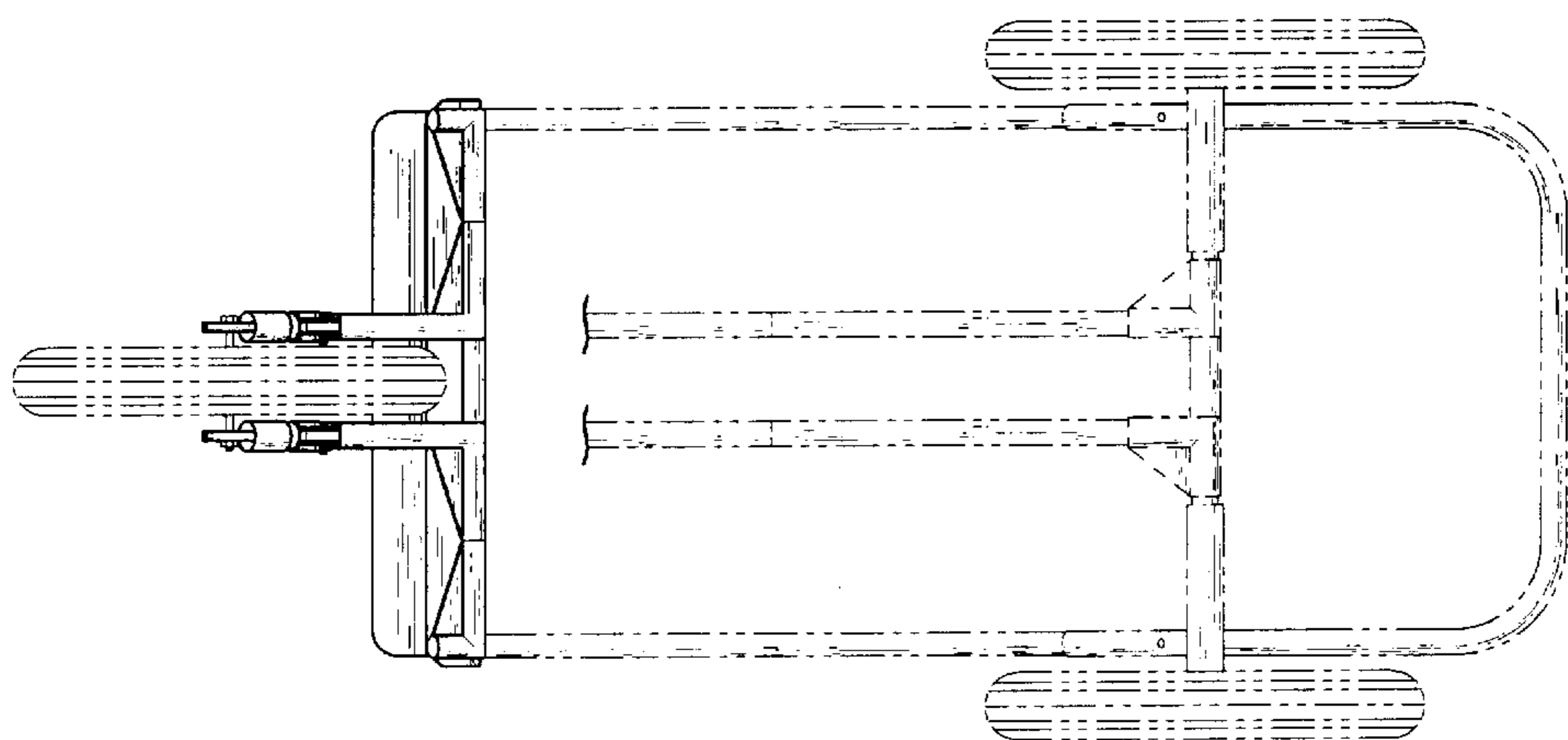


Fig. 10

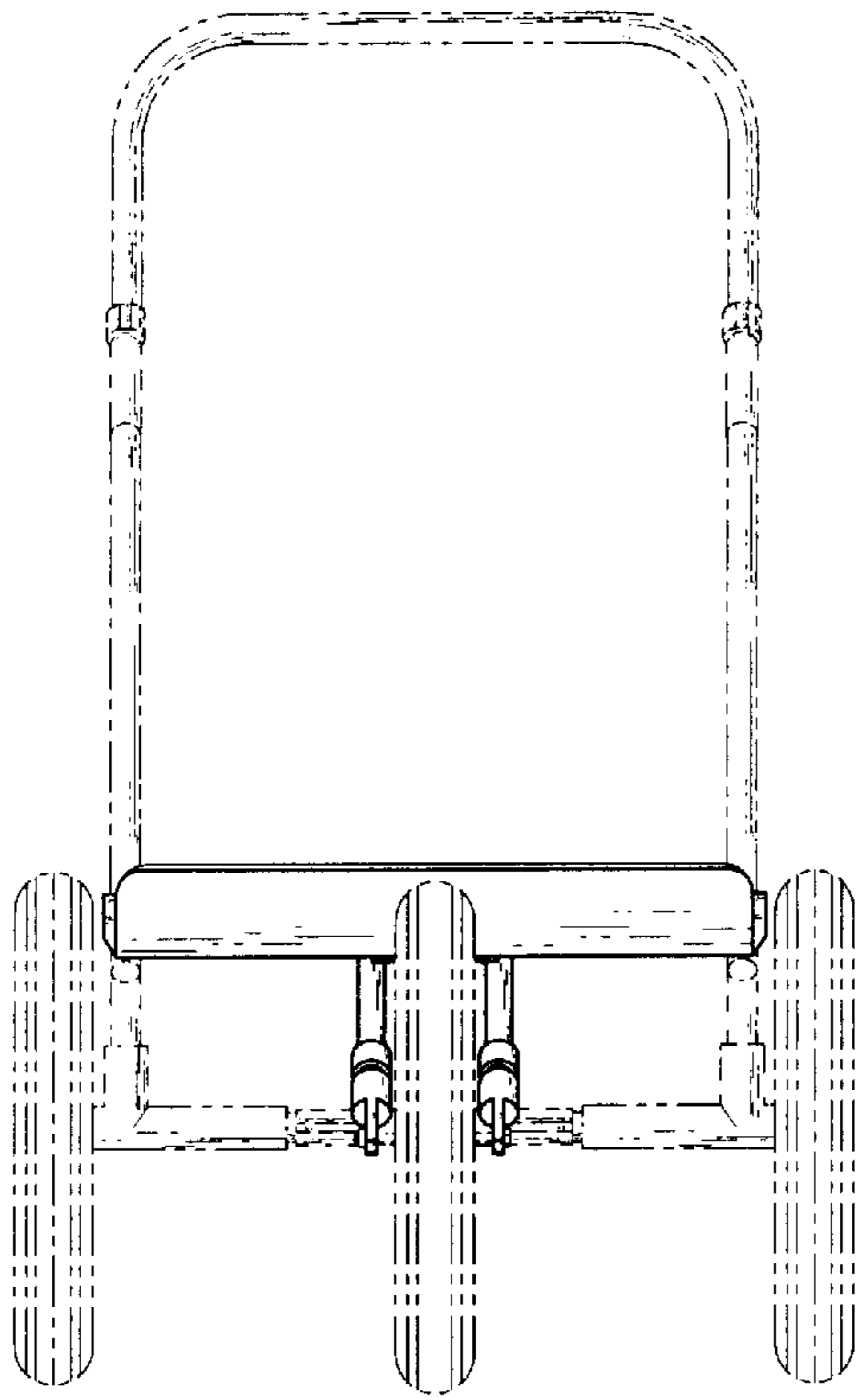


Fig. 11

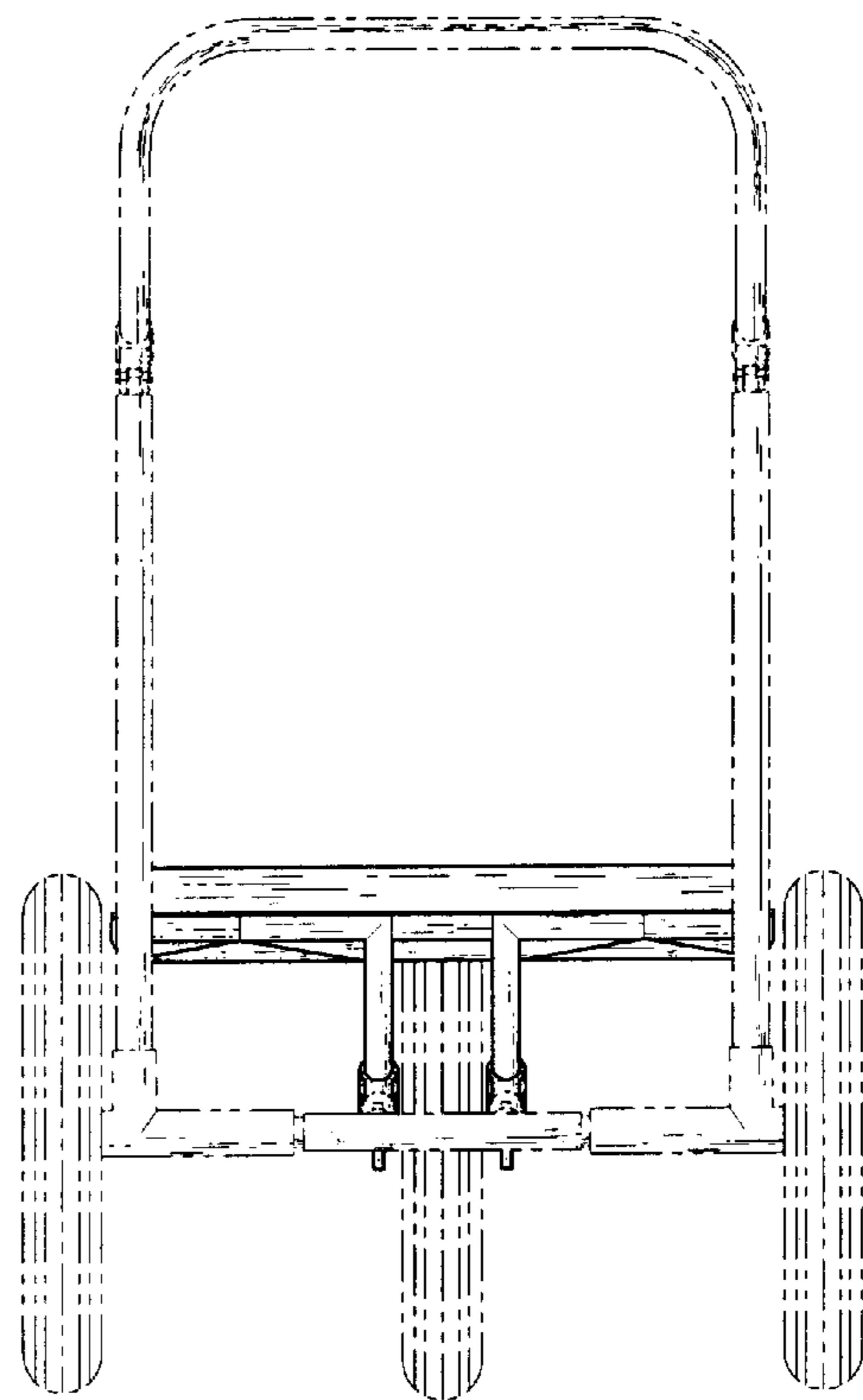


Fig. 12

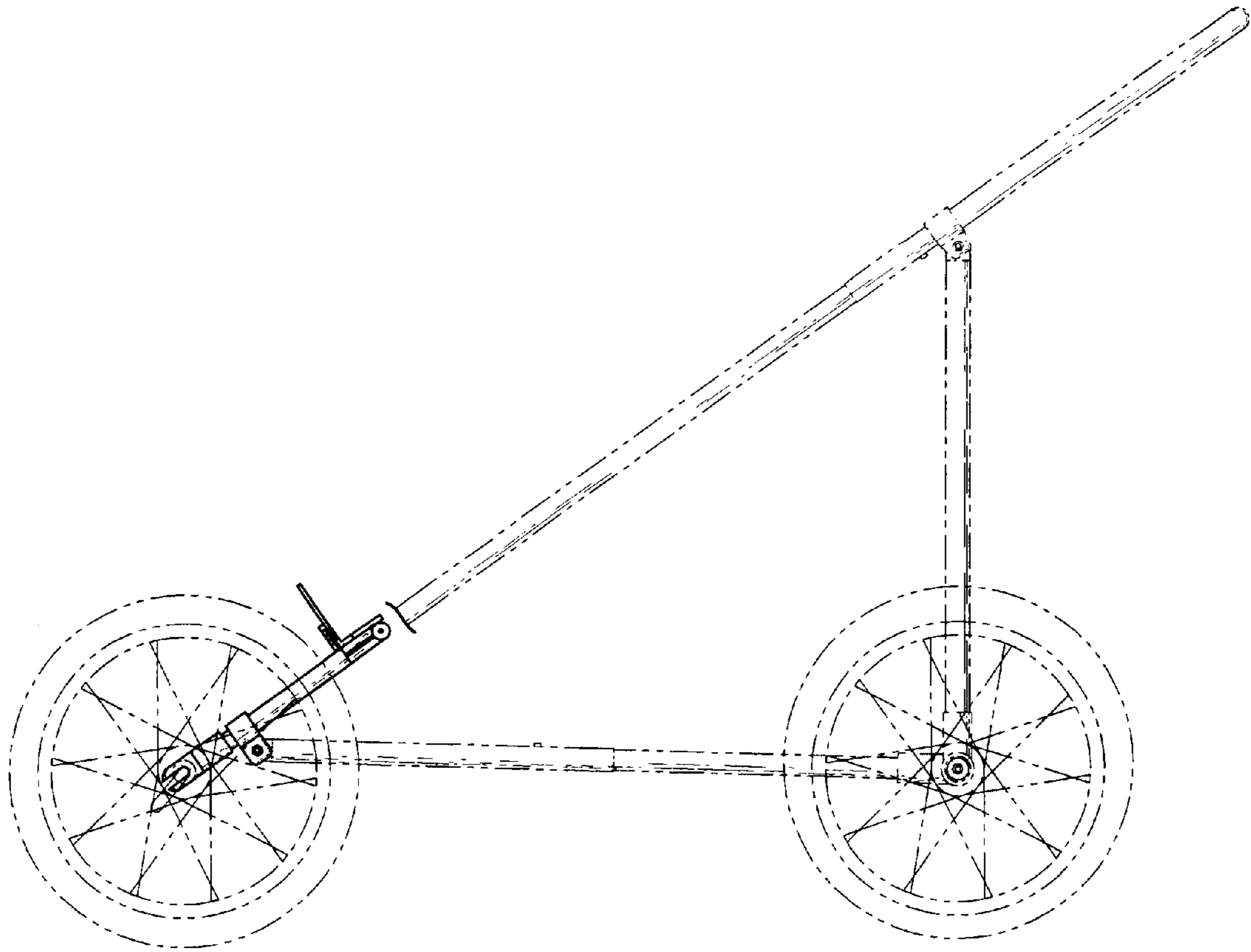


Fig. 13