



US00D486426S

(12) **United States Design Patent**
Lin

(10) **Patent No.:** **US D486,426 S**

(45) **Date of Patent:** **** Feb. 10, 2004**

(54) **BICYCLE TREADLE**

(76) Inventor: **Wen-Hwa Lin**, 235 Chung-Ho Box
8-24, Taipei (TW)

(**) Term: **14 Years**

(21) Appl. No.: **29/176,739**

(22) Filed: **Feb. 27, 2003**

(51) **LOC (7) Cl.** **12-11**

(52) **U.S. Cl.** **D12/125**

(58) **Field of Search** D12/125; 74/594.4-594.7;
36/131

(56) **References Cited**
PUBLICATIONS

Bike nashbar Early Spring 2000 catalog No. 146, Nashbar pedal, item C, and Shimano pedals, items J and K, on p. 40.*
Colorado Cyclist Early Spring 1999 catalog, Road Pedals on p. 58.*

* cited by examiner

Primary Examiner—Alan P. Douglas
Assistant Examiner—Linda Brooks

(57) **CLAIM**

The ornamental design for a bicycle treadle, as shown and described.

DESCRIPTION

FIG. 1 is a perspective view of a bicycle treadle showing my new design;

FIG. 2 is a front elevational view thereof;

FIG. 3 is a rear elevational view thereof;

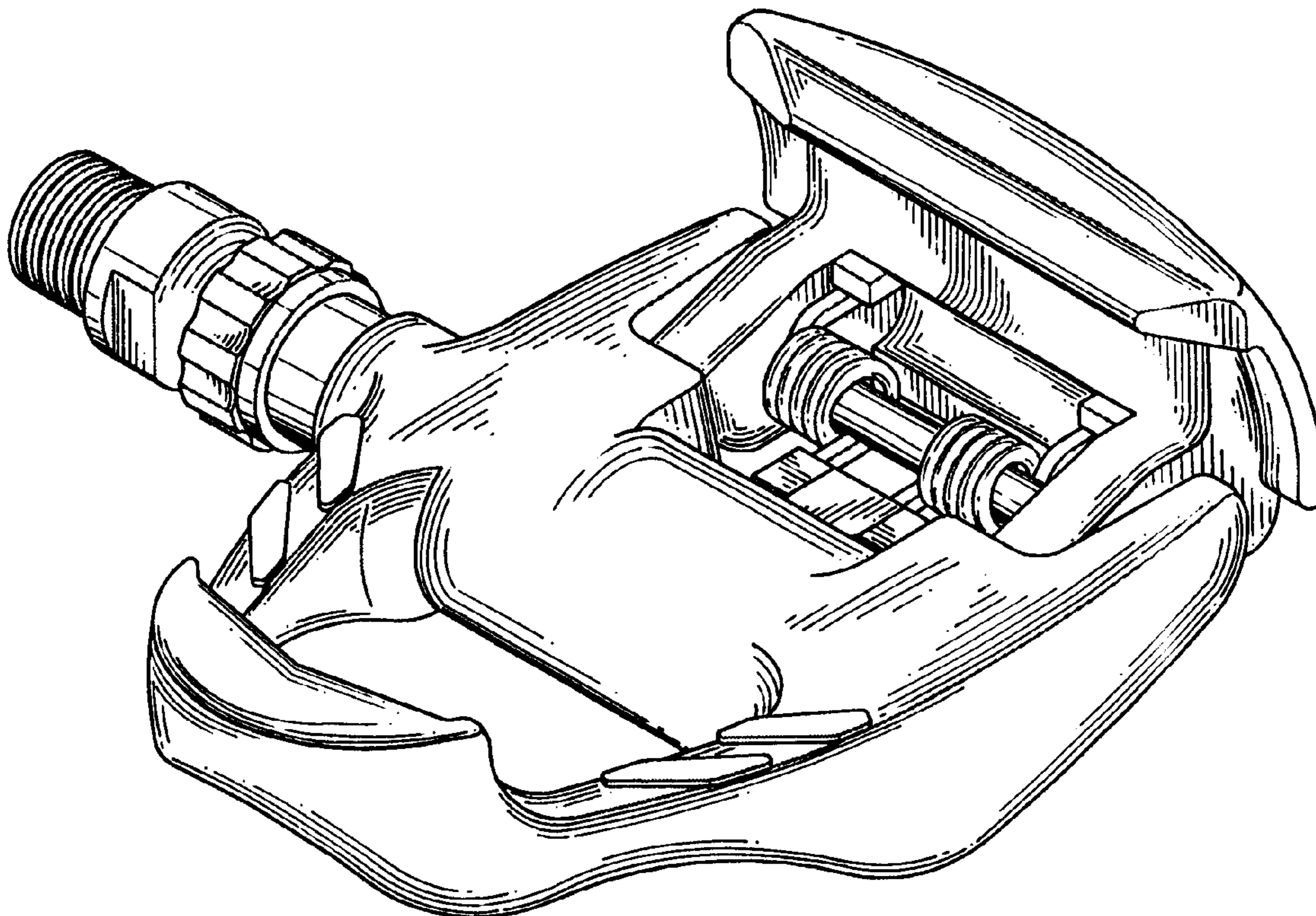
FIG. 4 is a left side view thereof;

FIG. 5 is a right side view thereof;

FIG. 6 is a top plan view thereof; and,

FIG. 7 is a bottom plan view thereof.

1 Claim, 4 Drawing Sheets



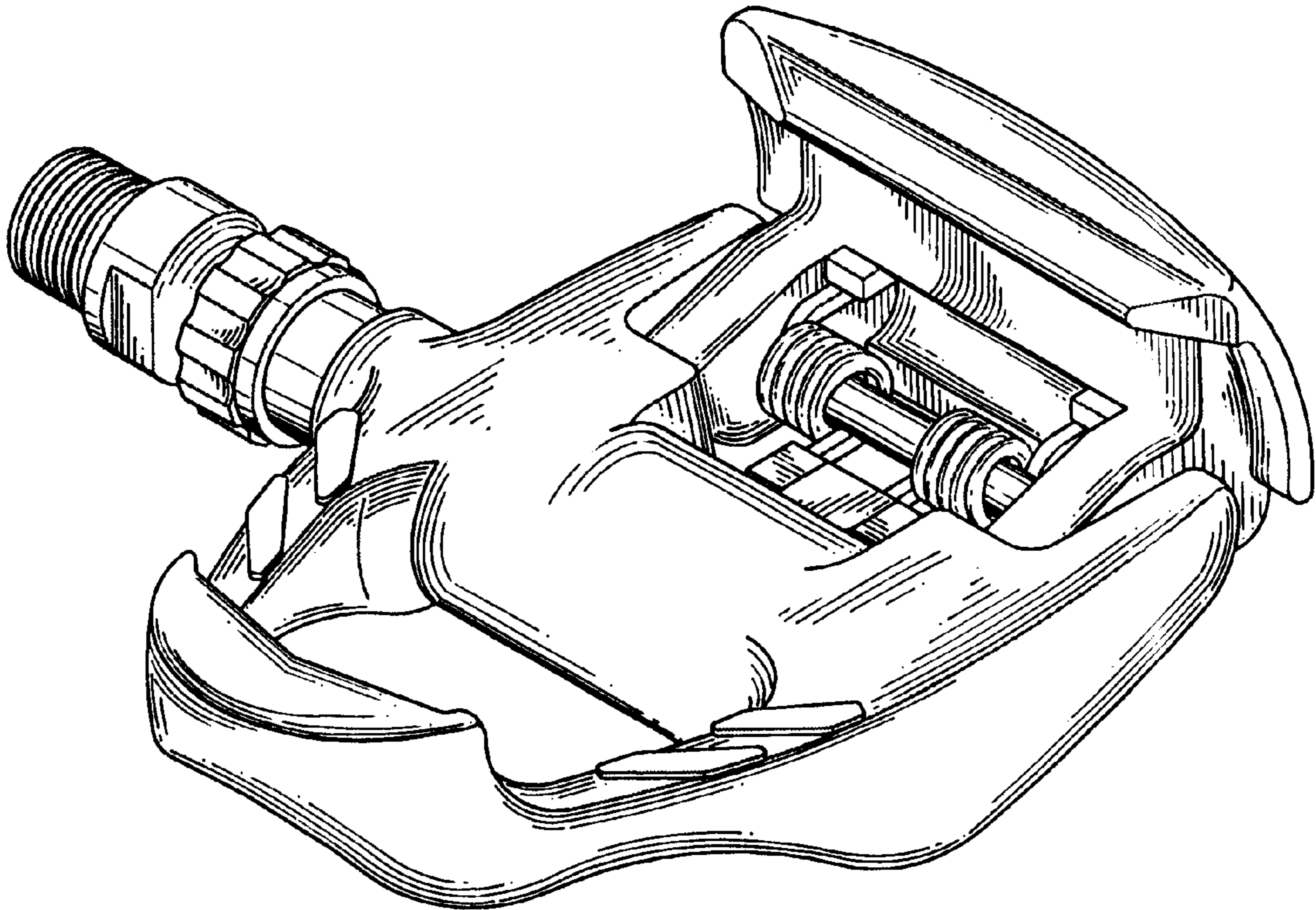


FIG. 1

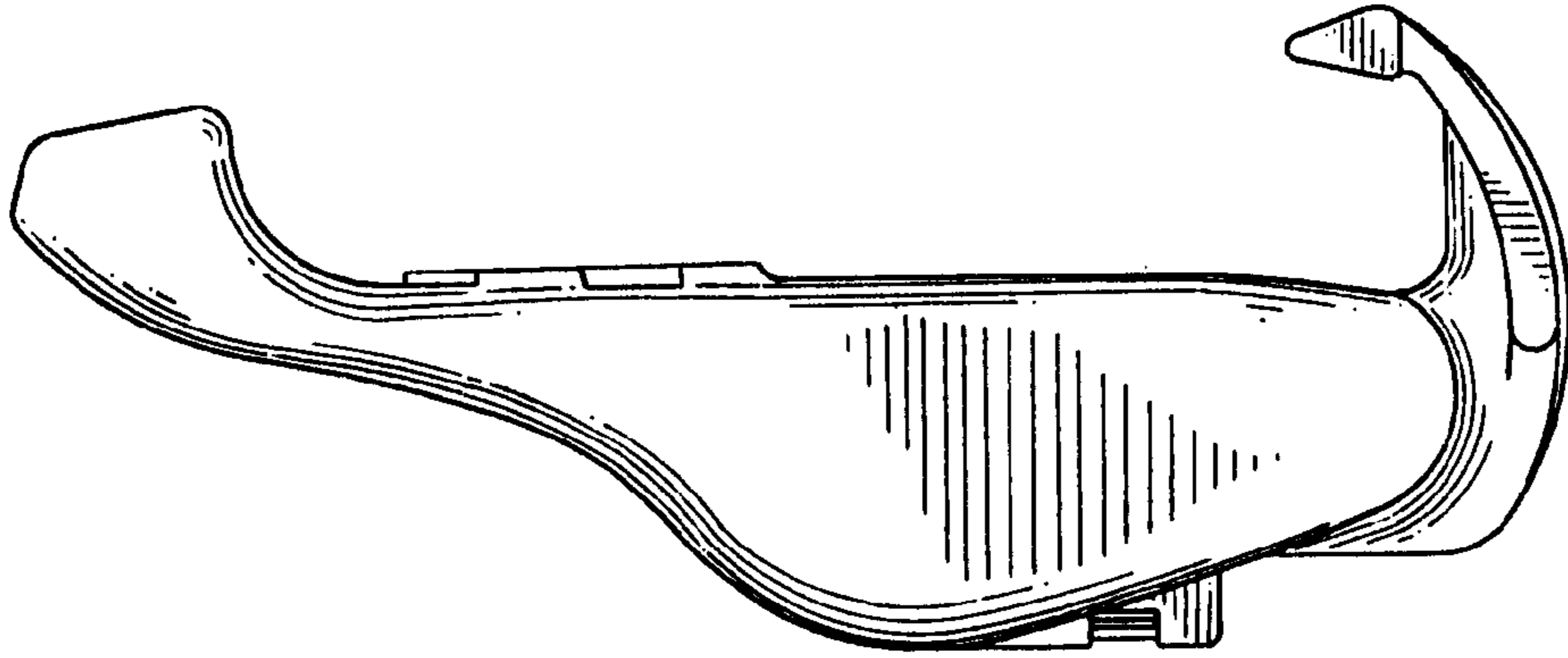


FIG. 2

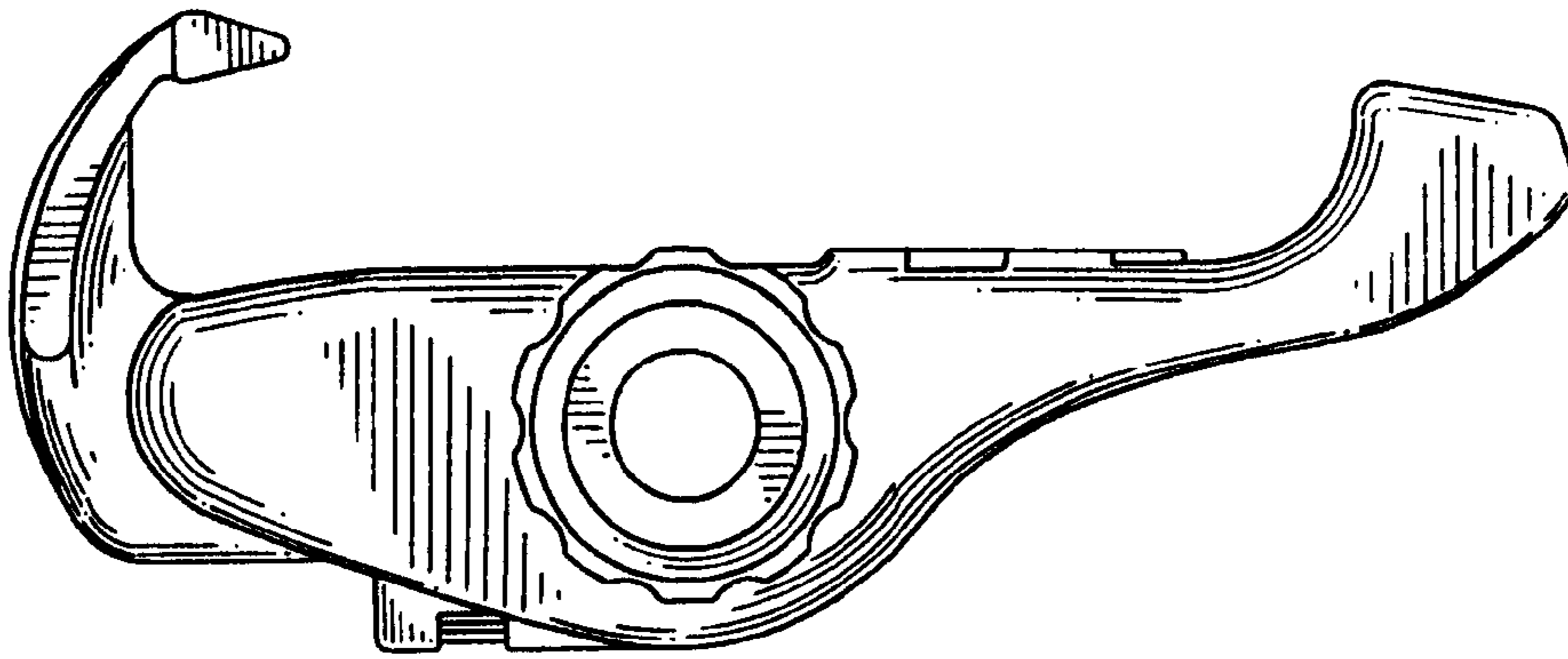


FIG. 3

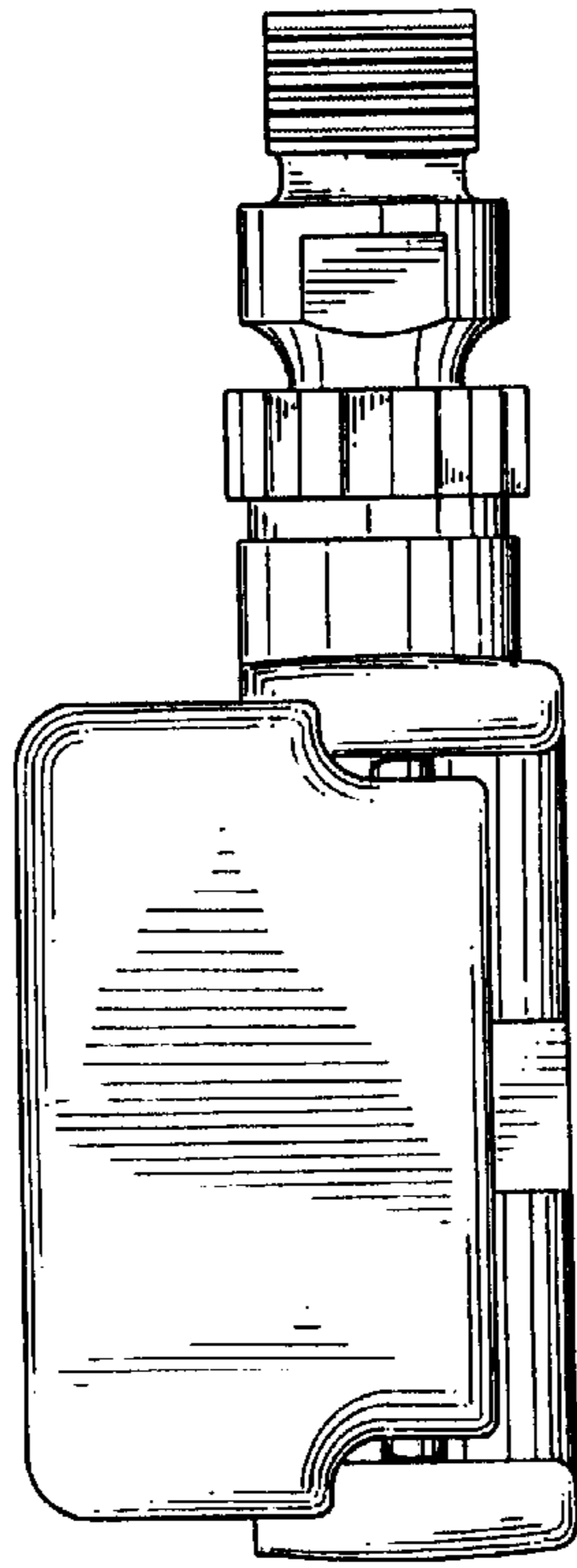


FIG. 5

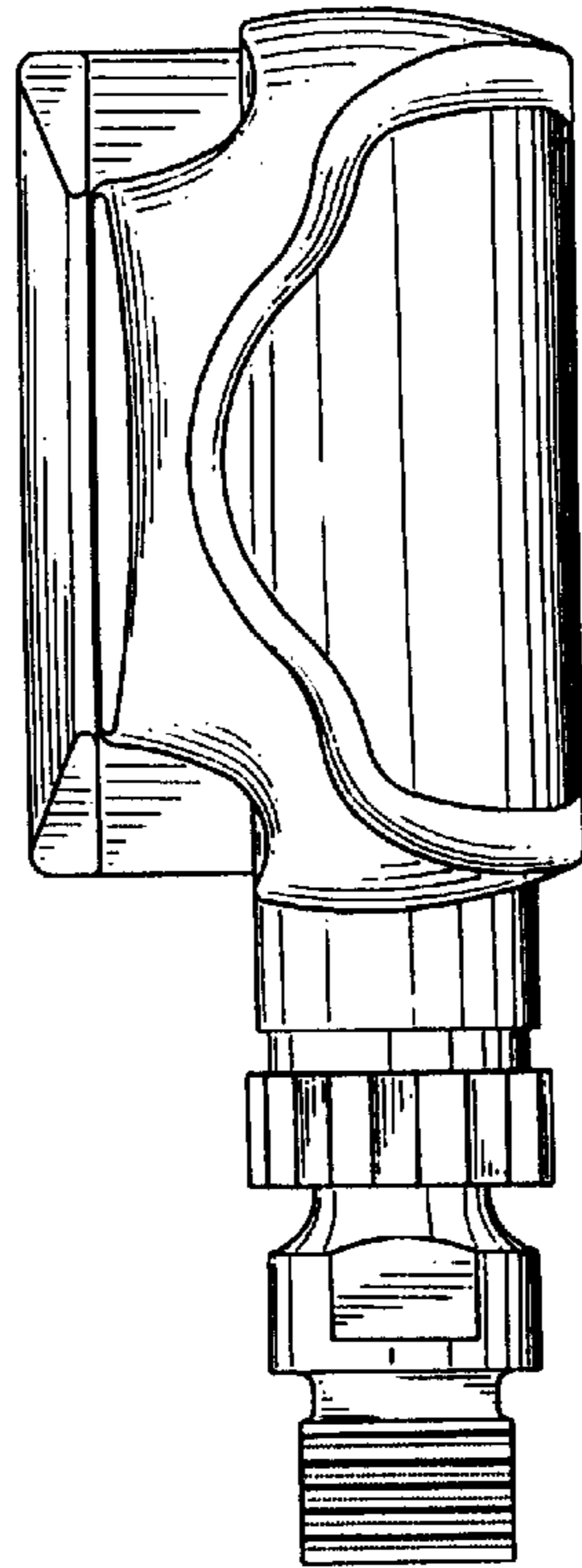


FIG. 4

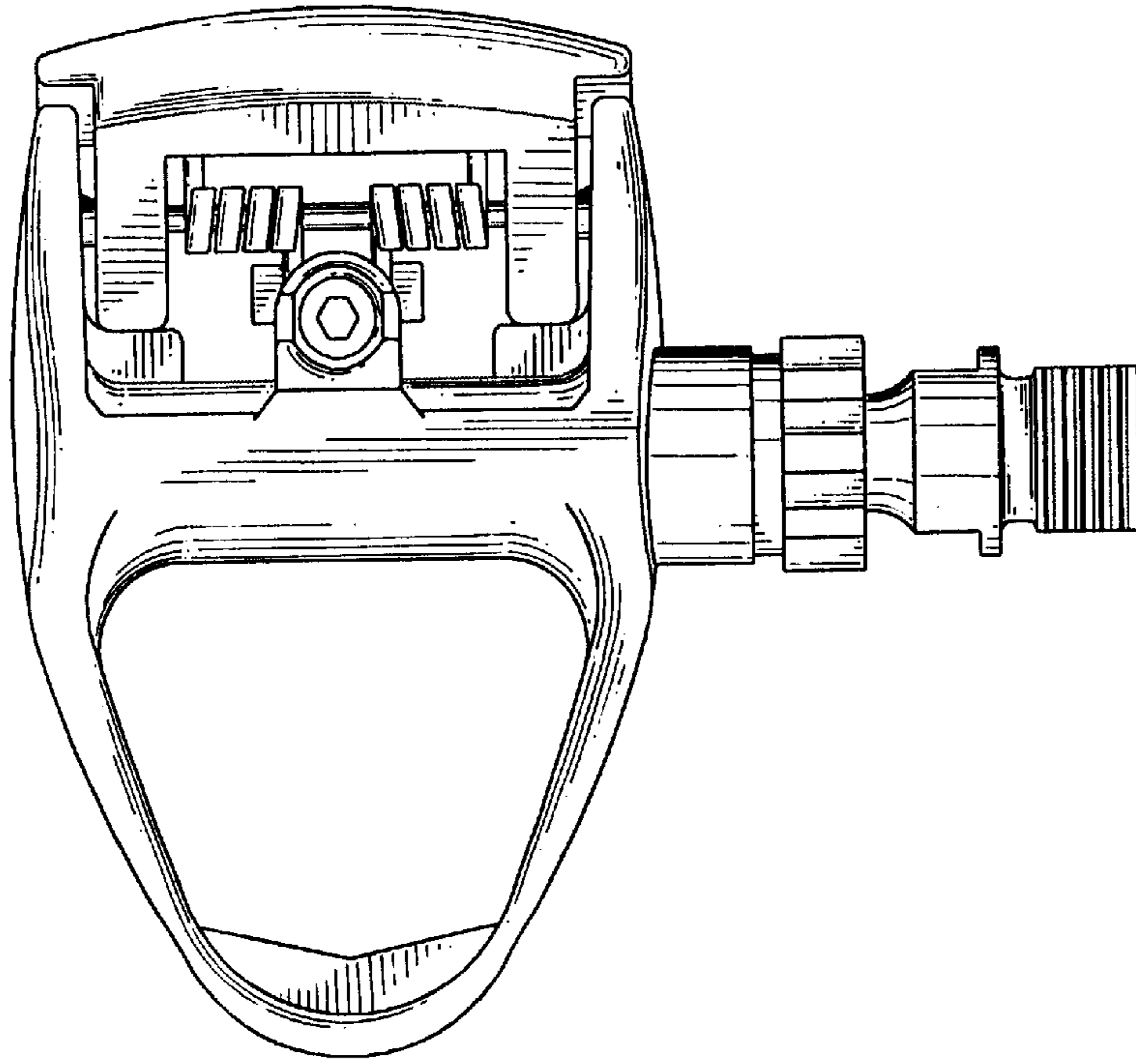


FIG. 7

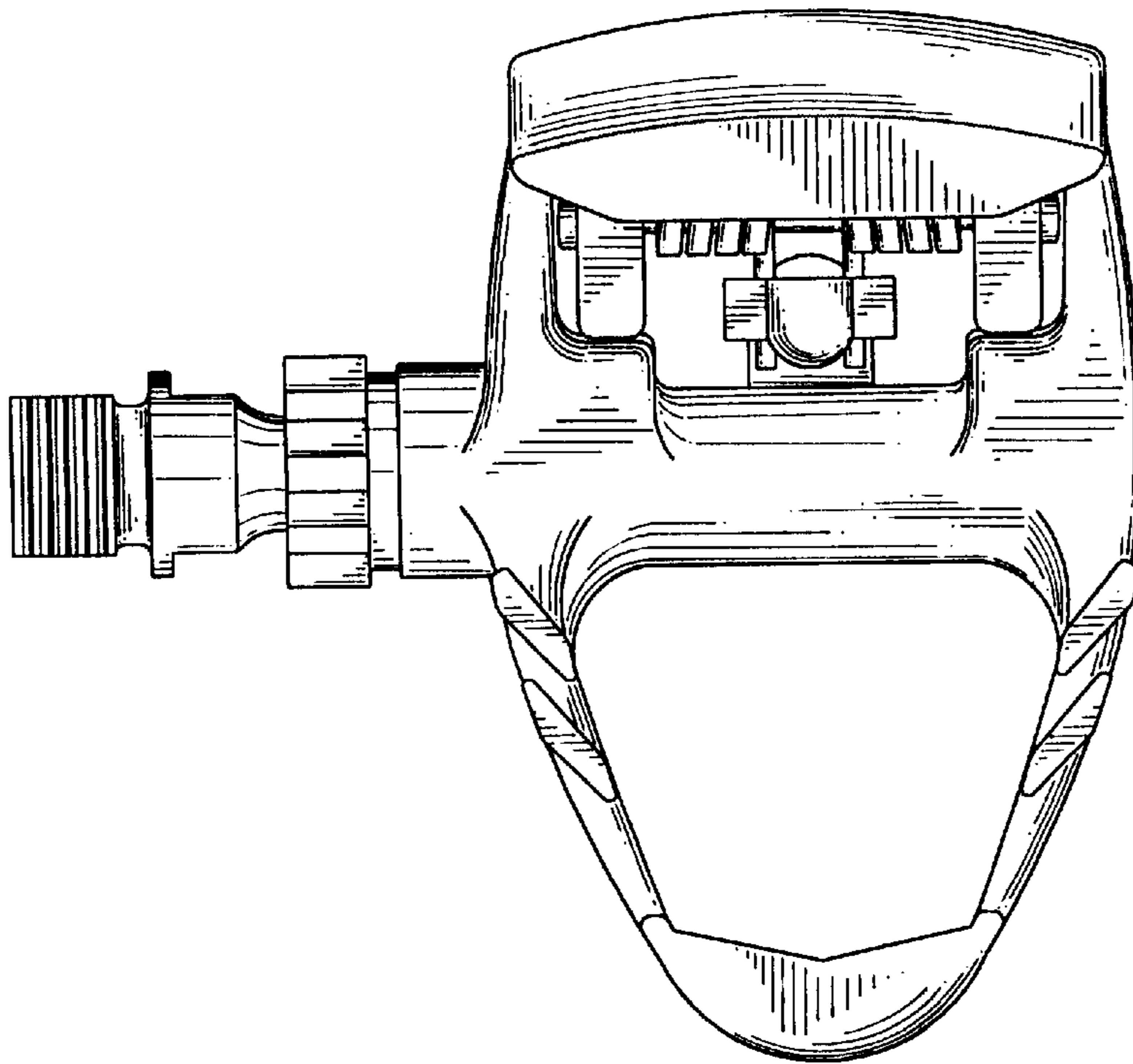


FIG. 6