



US00D486421S

(12) **United States Design Patent**
Weiser et al.

(10) **Patent No.:** **US D486,421 S**

(45) **Date of Patent:** **** Feb. 10, 2004**

(54) **UPRAISED WINGED LADYBUG NOVELTY**

(75) **Inventors:** **Margaret Weiser**, Tarzana, CA (US);
Shari Weiser, Woodland Hills, CA (US)

(73) **Assignee:** **Exhart Environmental Systems, Inc.**,
Chatsworth, CA (US)

(**) **Term:** **14 Years**

(21) **Appl. No.:** **29/174,077**

(22) **Filed:** **Jan. 8, 2003**

(51) **LOC (7) Cl.** **11-02**

(52) **U.S. Cl.** **D11/162; D21/650**

(58) **Field of Search** D11/44, 48, 49,
D11/57, 81, 82, 127, 131, 157, 158; D21/576,
626, 650, 811; D3/271; D9/310; D20/30;
446/72, 73, 268, 330, 352, 353, 358, 365,
373-376, 379-383; 428/15, 16, 542.2, 542.4

(56) **References Cited**

U.S. PATENT DOCUMENTS

D137,511 S * 3/1944 Katz D11/57
3,331,463 A * 7/1967 Kramer 446/353 X

D226,613 S * 4/1973 Stauffer D11/158
4,669,997 A * 6/1987 Kulesza et al. 446/337 X
D343,515 S * 1/1994 Monneret D3/270
D416,047 S * 11/1999 Kwok D21/650
D461,209 S * 8/2002 Hornsby et al. D21/650
D464,685 S * 10/2002 Weiser et al. D21/650

* cited by examiner

Primary Examiner—Philip S. Hyder

Assistant Examiner—C. Tuttle

(74) *Attorney, Agent, or Firm*—Cislo & Thomas LLP

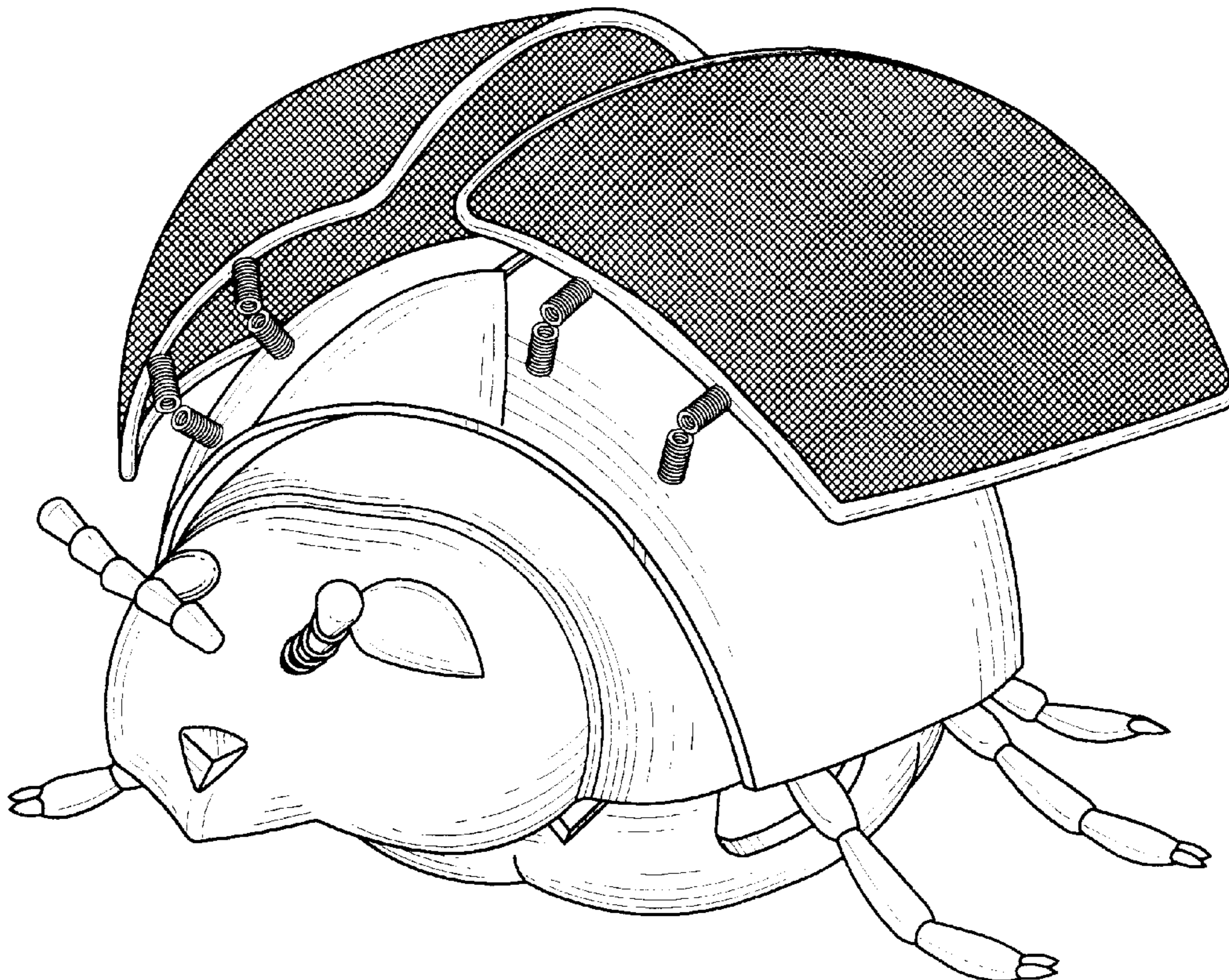
(57) **CLAIM**

The ornamental design for an upraised winged ladybug novelty, as shown and described herein.

DESCRIPTION

FIG. 1. is a perspective view of our upraised winged ladybug novelty;
FIG. 2. is a left side elevational view thereof with the right side elevational view being a mirror image thereof;
FIG. 3. is a bottom view thereof;
FIG. 4. is a front view thereof;
FIG. 5. is a back view thereof; and,
FIG. 6. is a top view thereof.

1 Claim, 4 Drawing Sheets



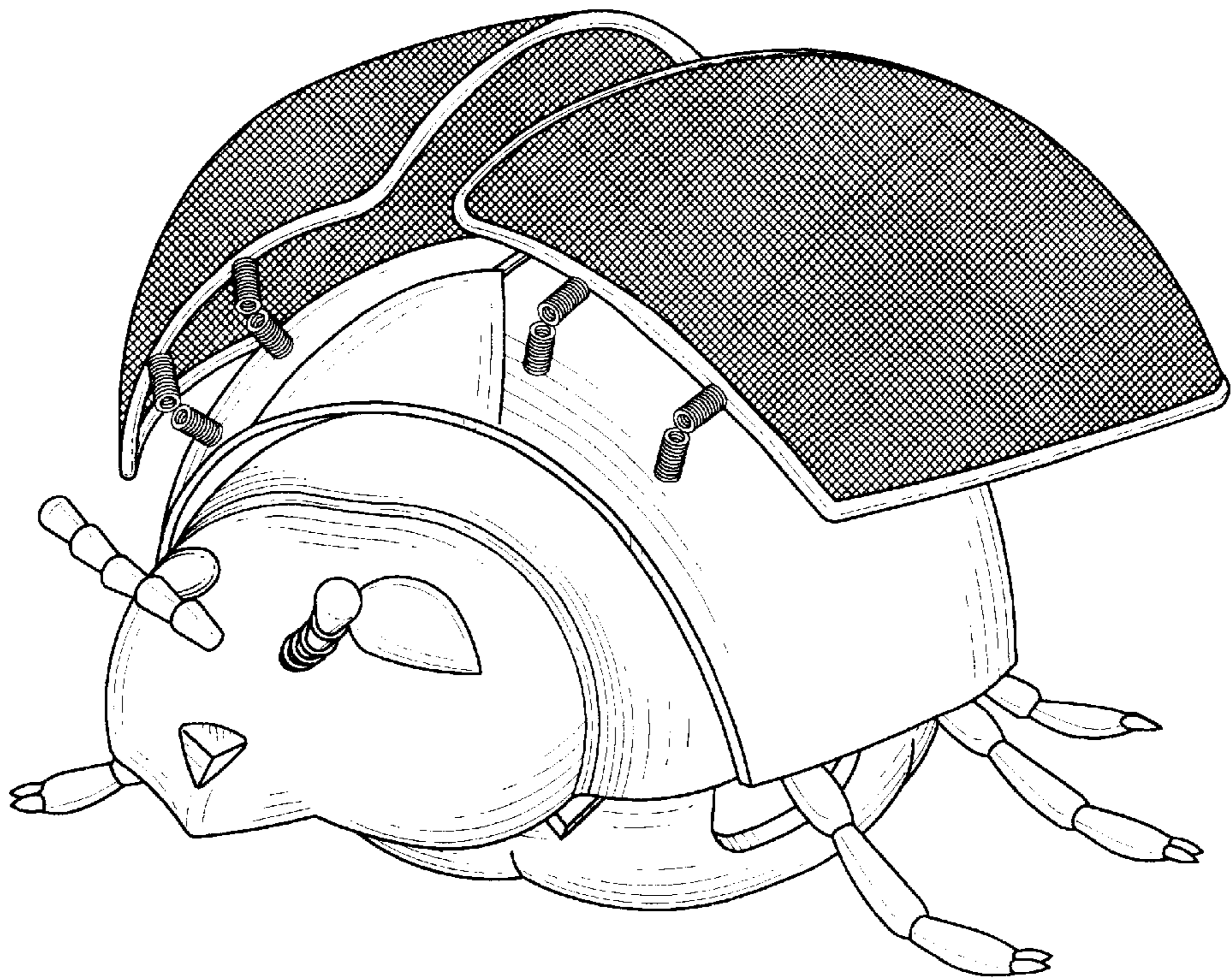


FIG. 1

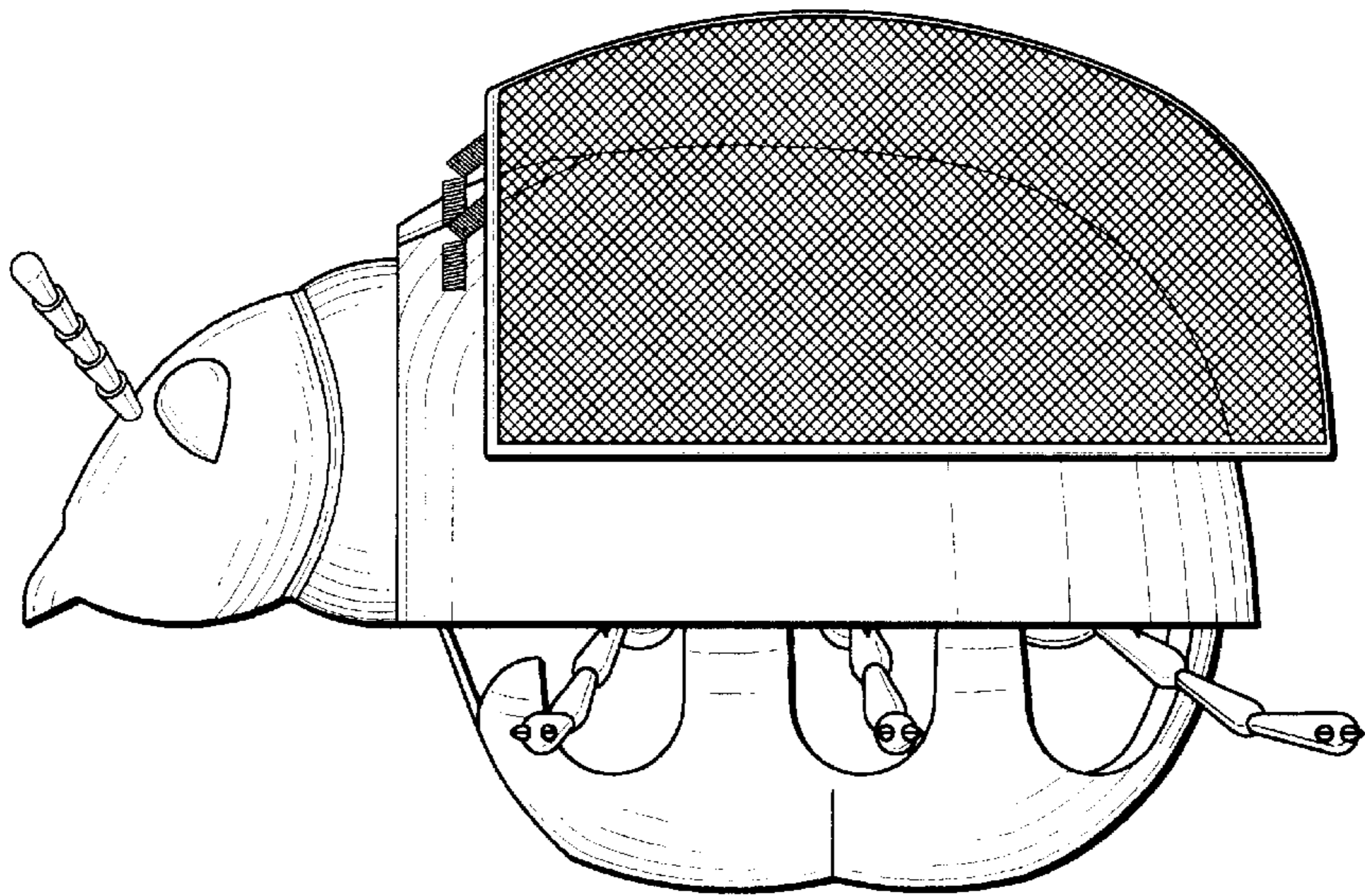


FIG. 2

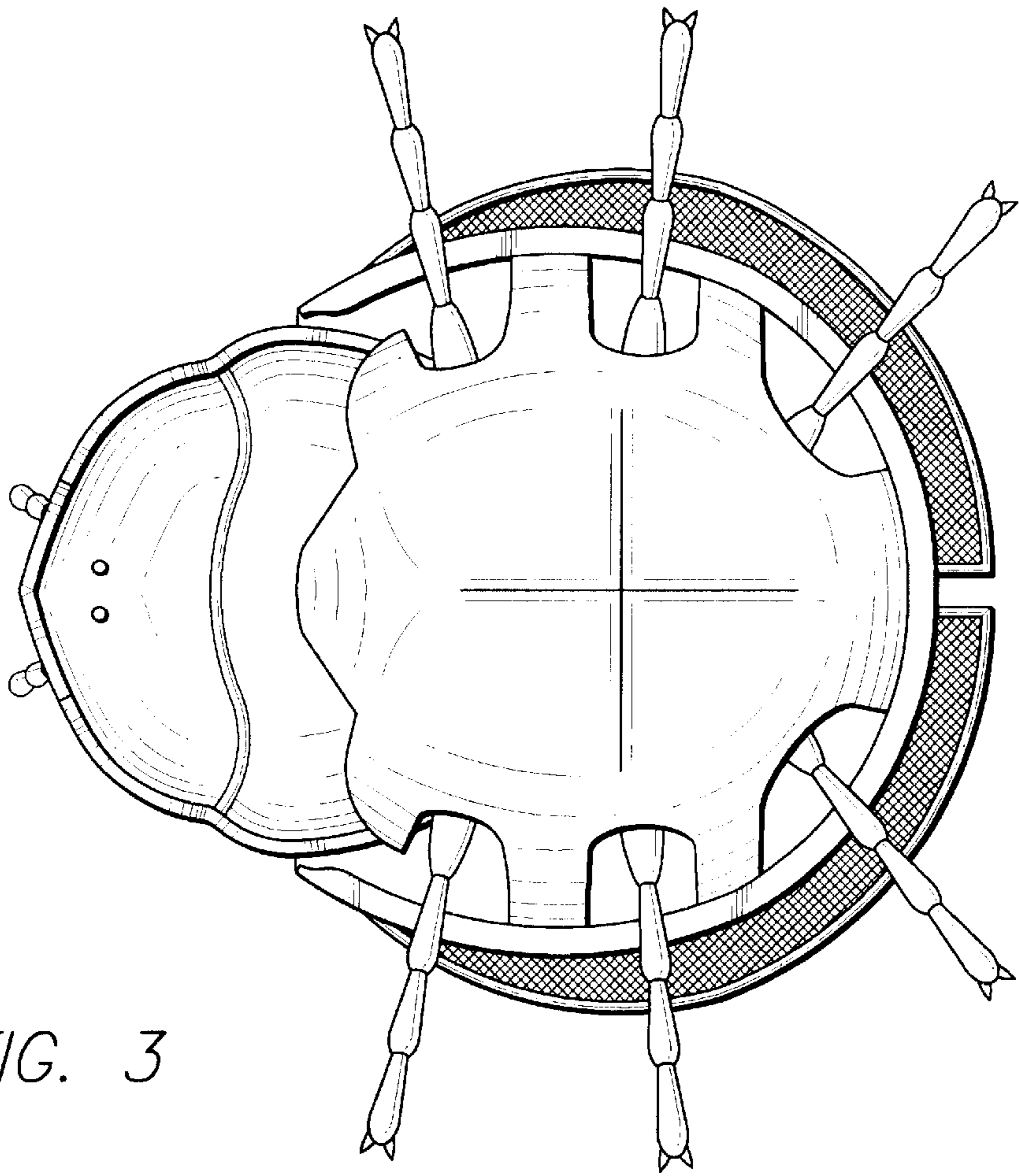


FIG. 3

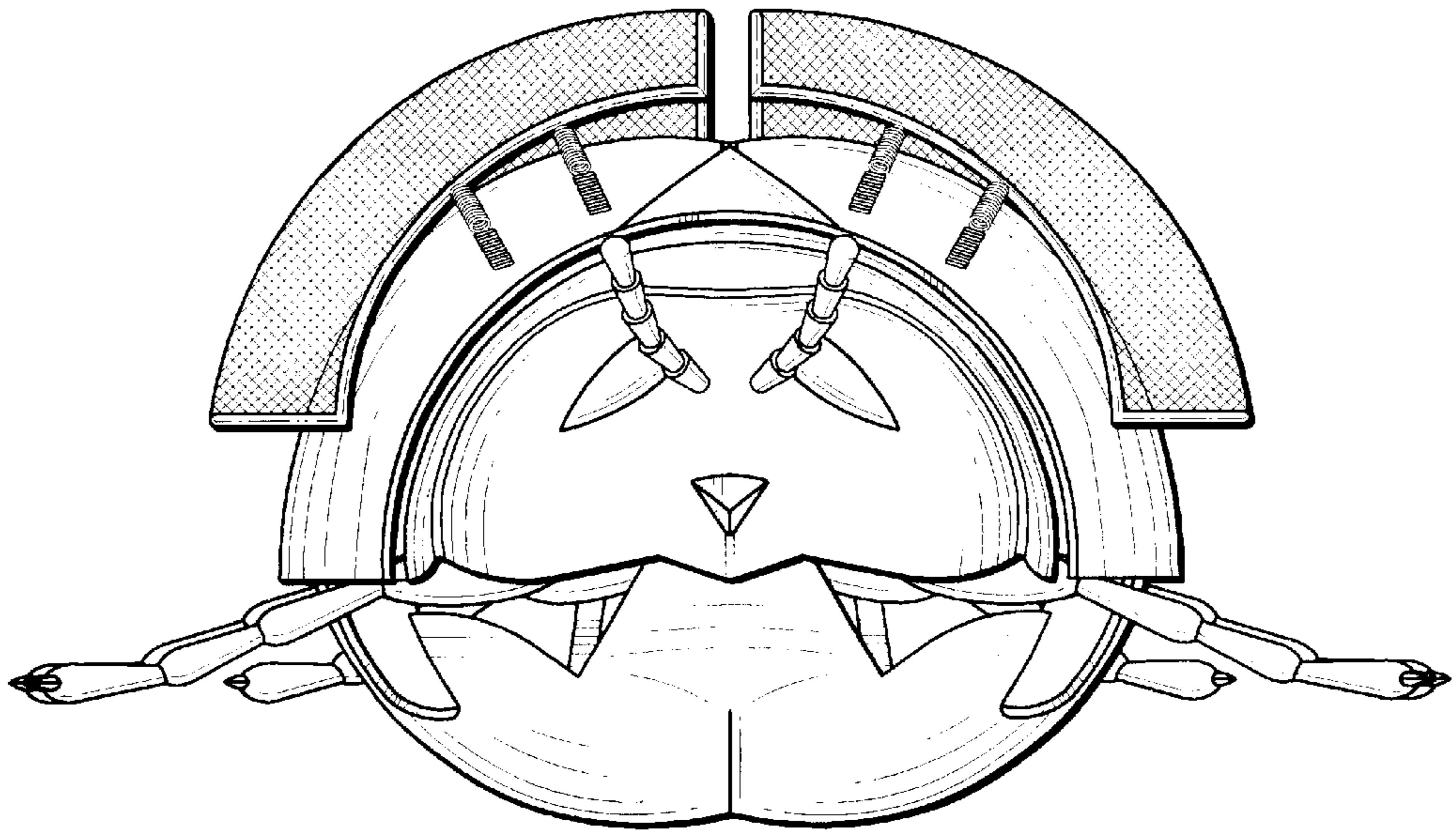


FIG. 4

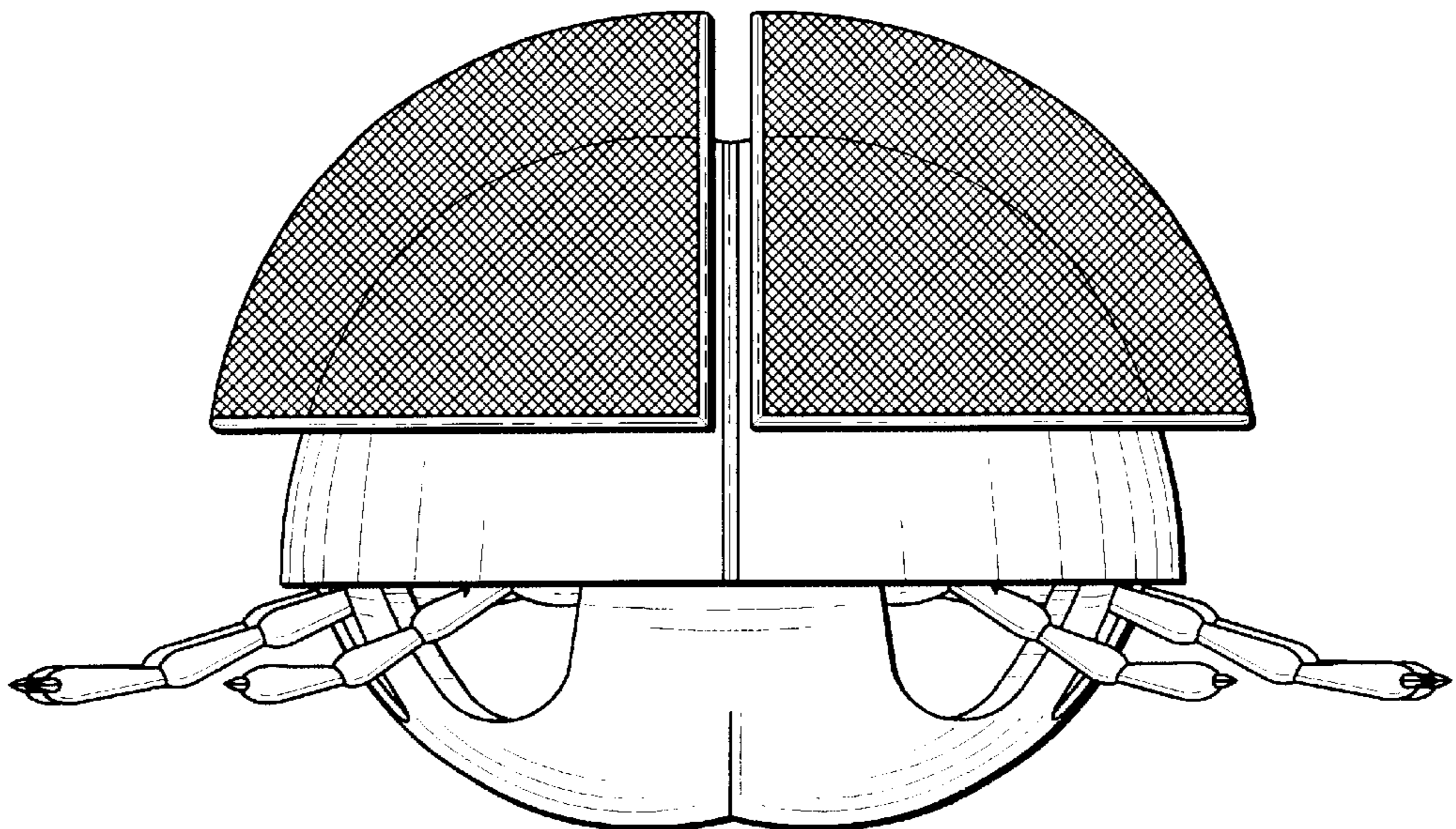


FIG. 5

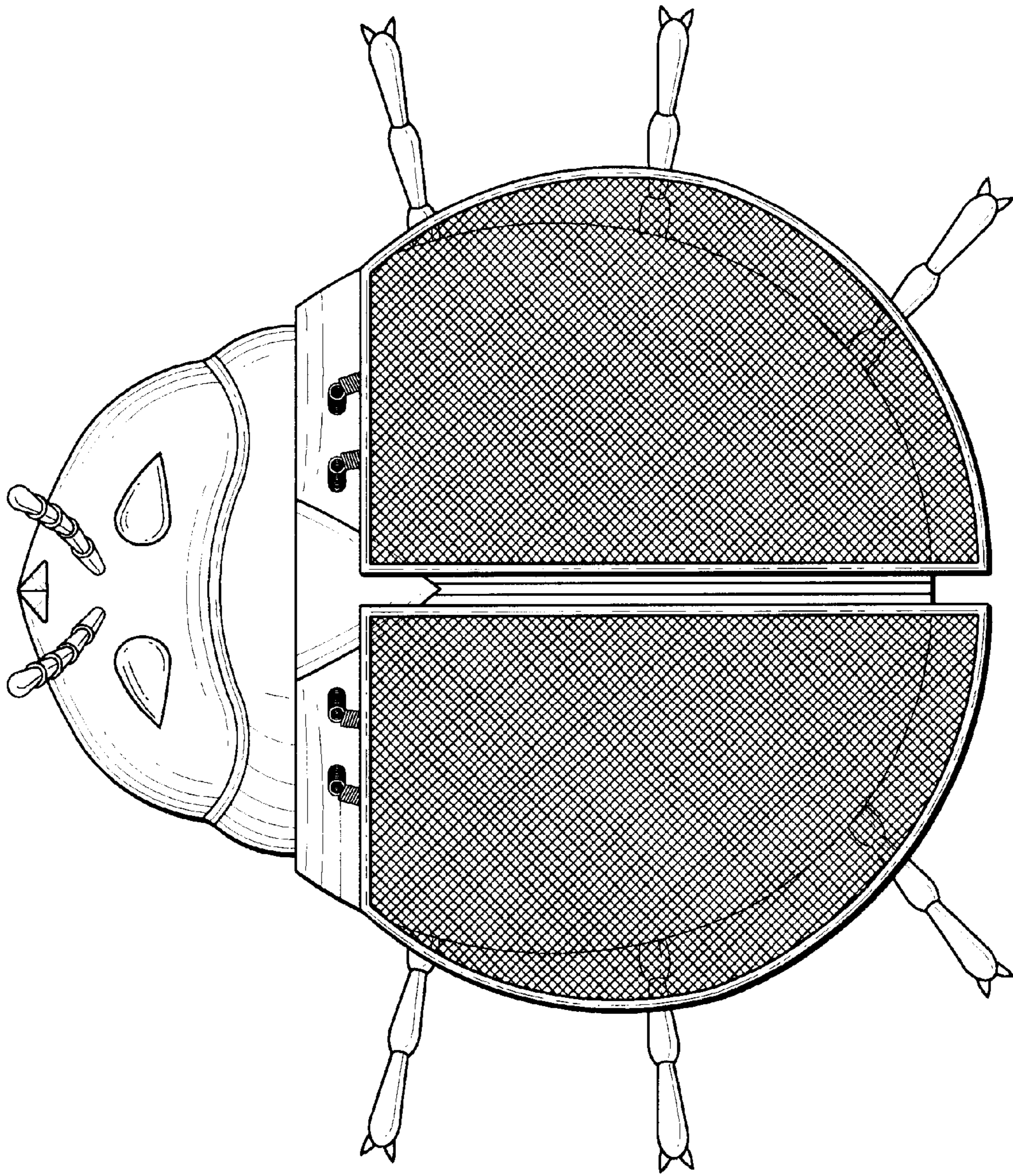


FIG. 6