



US00D486420S

(12) **United States Design Patent**
Fan

(10) **Patent No.:** **US D486,420 S**

(45) **Date of Patent:** **** Feb. 10, 2004**

(54) **WINDOW BOX**

(57) **CLAIM**

(76) Inventor: **Jianhua Fan**, 5800 Mauding Ave., #C2,
Nashville, TN (US) 37209

The ornamental design for a window box, as shown and described.

(**) Term: **14 Years**

DESCRIPTION

(21) Appl. No.: **29/158,352**

FIG. 1 is a perspective view of the upper part of a window box shown from the side and below for convenience of illustration;

(22) Filed: **Apr. 3, 2002**

FIG. 2 is a perspective view of the lower part of a window box shown from the side and above for convenience of illustration;

(51) **LOC (7) Cl.** **11-02**

(52) **U.S. Cl.** **D11/156**

(58) **Field of Search** D11/143, 144,
D11/145, 152-156; D7/550.1, 552.2, 554.1,
555, 554.3; D9/341, 456; 47/41.01, 65.5,
65.6, 65.7, 66.1, 66.2, 66.6, 68, 69, 70,
71, 73, 85, 86

FIG. 3 is a top plan view of FIG. 1;

FIG. 4 is a bottom plan view of FIG. 1;

FIG. 5 is a front elevational view of FIG. 1 it being understood that the opposite side is a mirror image thereof;

FIG. 6 is a side elevational view of FIG. 1 it being understood that the opposite side is a mirror image thereof;

(56) **References Cited**

U.S. PATENT DOCUMENTS

D256,344 S	*	8/1980	Schneck	D11/156
4,339,891 A		7/1982	Bassett		
D271,035 S	*	10/1983	Pomerenke	D11/152
D313,203 S		12/1990	Carlson		
D322,707 S	*	12/1991	Iverson	D11/156
D352,480 S		11/1994	Carlson		
5,410,840 A	*	5/1995	Loesken	47/73
5,564,226 A		10/1996	Paramest		
D397,958 S	*	9/1998	Ruthenberg	D11/156
5,806,241 A		9/1998	Byland		
D450,011 S	*	11/2001	Fan	D11/156
6,526,693 B2	*	3/2003	Cochran	47/66.5

FIG. 7 is a side elevational view of the combined upper and lower part of window box in assembled condition, it being understood that the opposite side is a mirror image thereof;

FIG. 8 is a top plan view of FIG. 2;

FIG. 9 is a bottom plan view of FIG. 2;

FIG. 10 is a side elevational view of FIG. 2;

FIG. 11 is a (side) cross-(cutting) sectional view taken along line 11-11 of FIG. 2;

FIG. 12 is a front elevational view of FIG. 2;

FIG. 13 is a (front) cross-(cutting) sectional view take along line 13-13 of FIG. 2;

FIG. 14 is a bottom view of the combined upper and lower parts of window box in assembled condition; and,

FIG. 15 is a front elevational view of the combined upper and lower parts of window box in assembled condition, it being understood that the opposite side is a mirror image thereof.

The broken line showing of environmental structure is for illustrative purposes only and forms no part of the claimed design.

FOREIGN PATENT DOCUMENTS

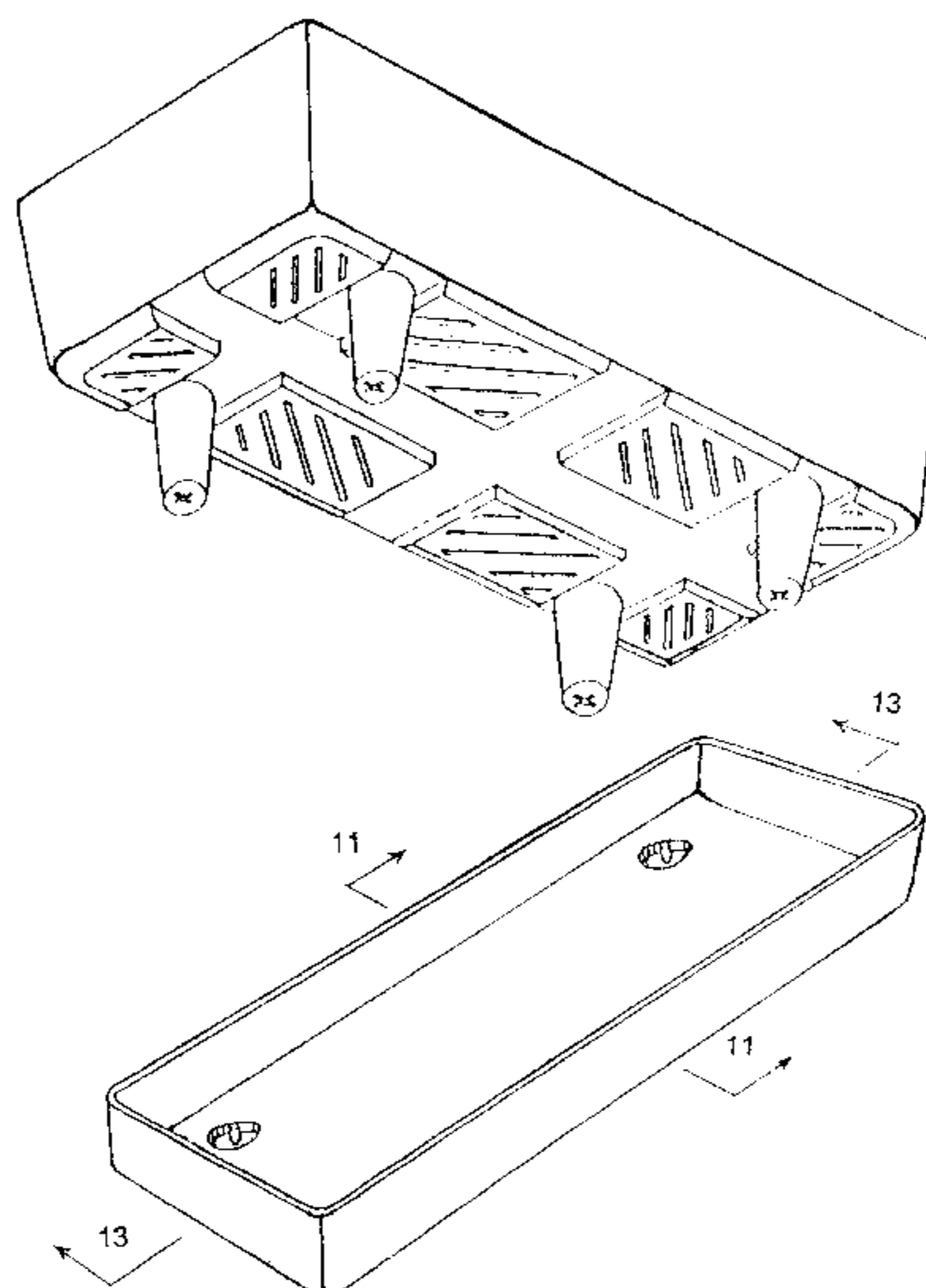
BE	649568	10/1984
DE	DT2539552 A1	3/1977
FR	1024483	1/1953
GB	22647	of 1913
GB	1192431	5/1970

* cited by examiner

Primary Examiner—Doris V. Coles

Assistant Examiner—Mimosa De

1 Claim, 10 Drawing Sheets



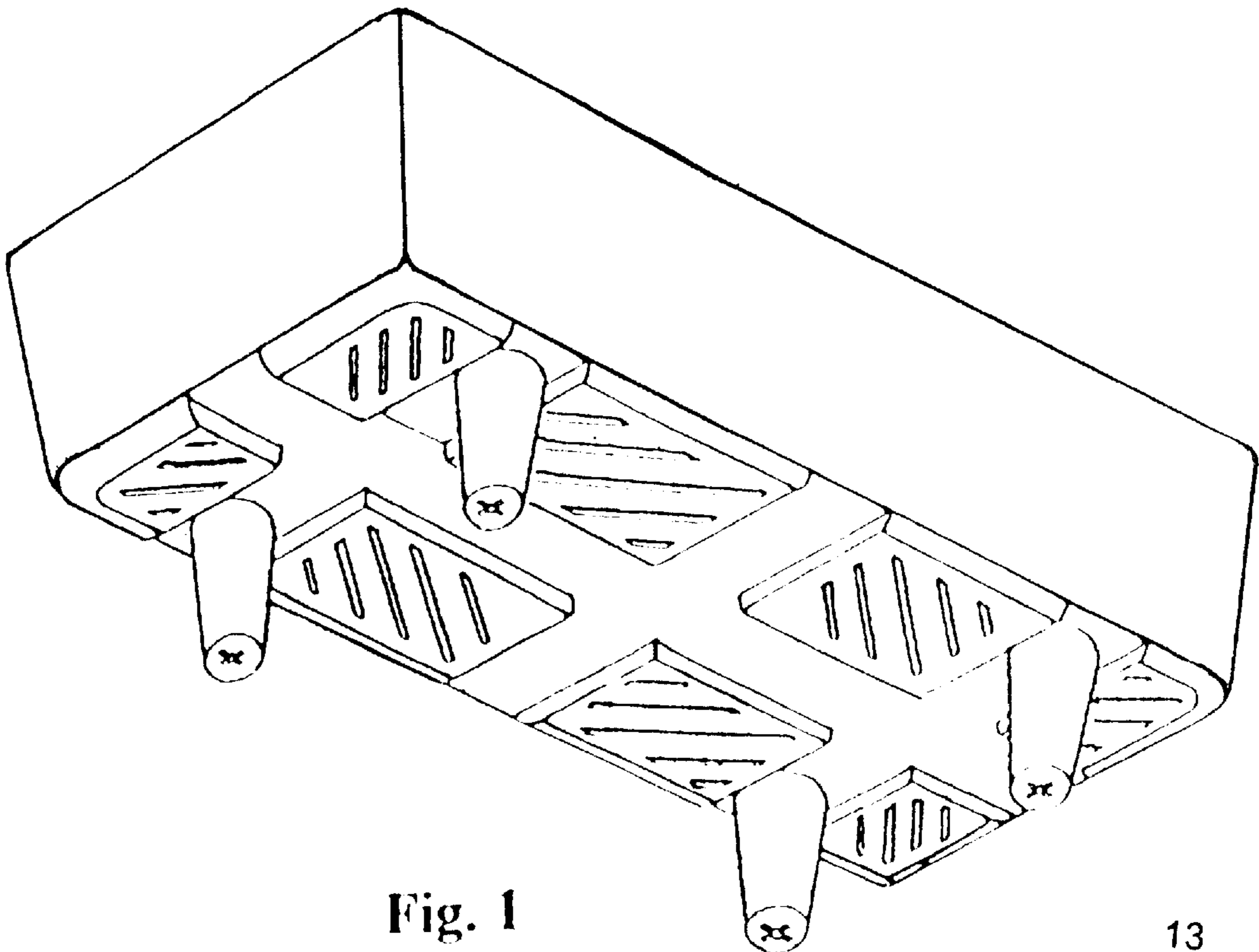


Fig. 1

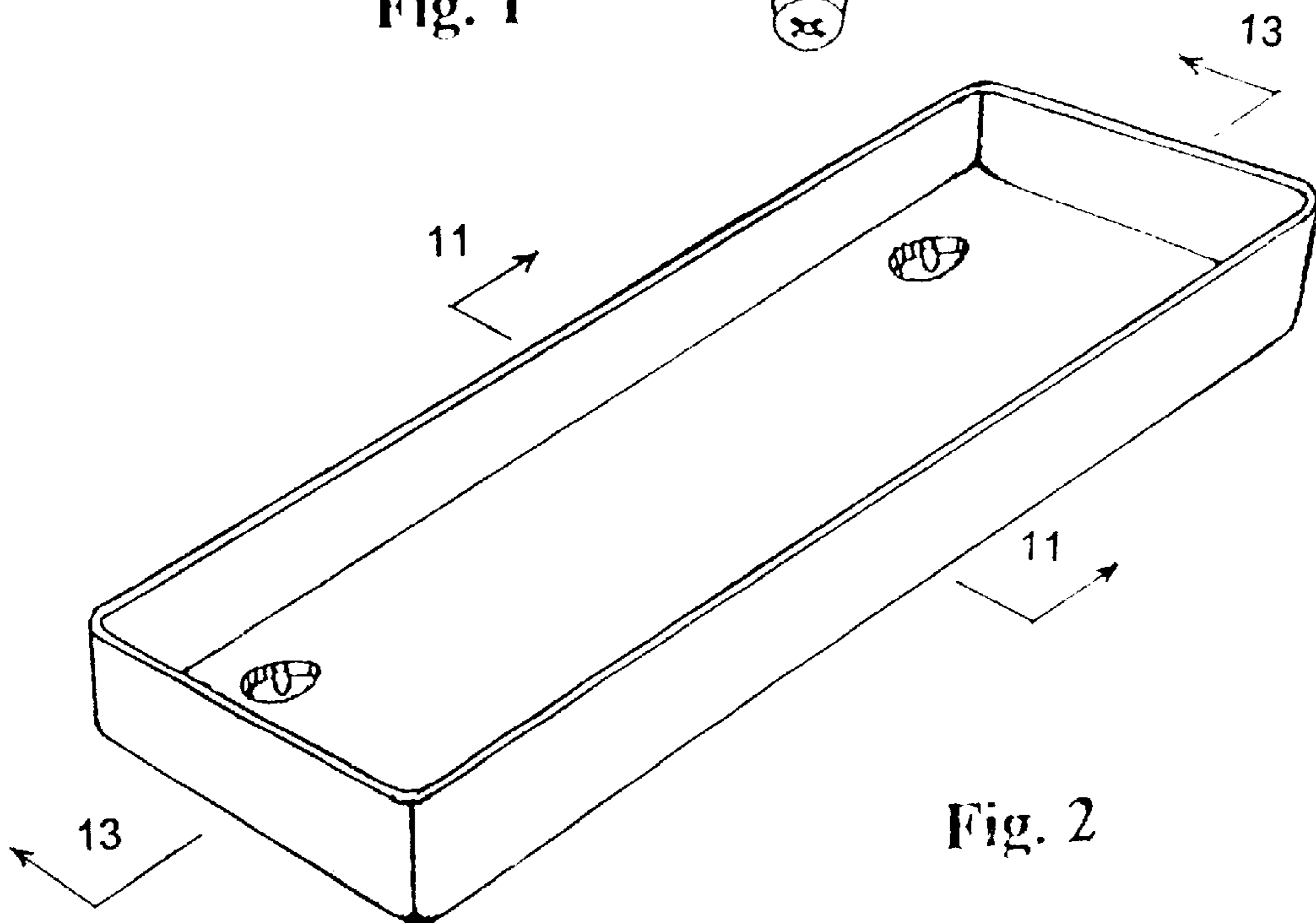


Fig. 2

Fig. 3

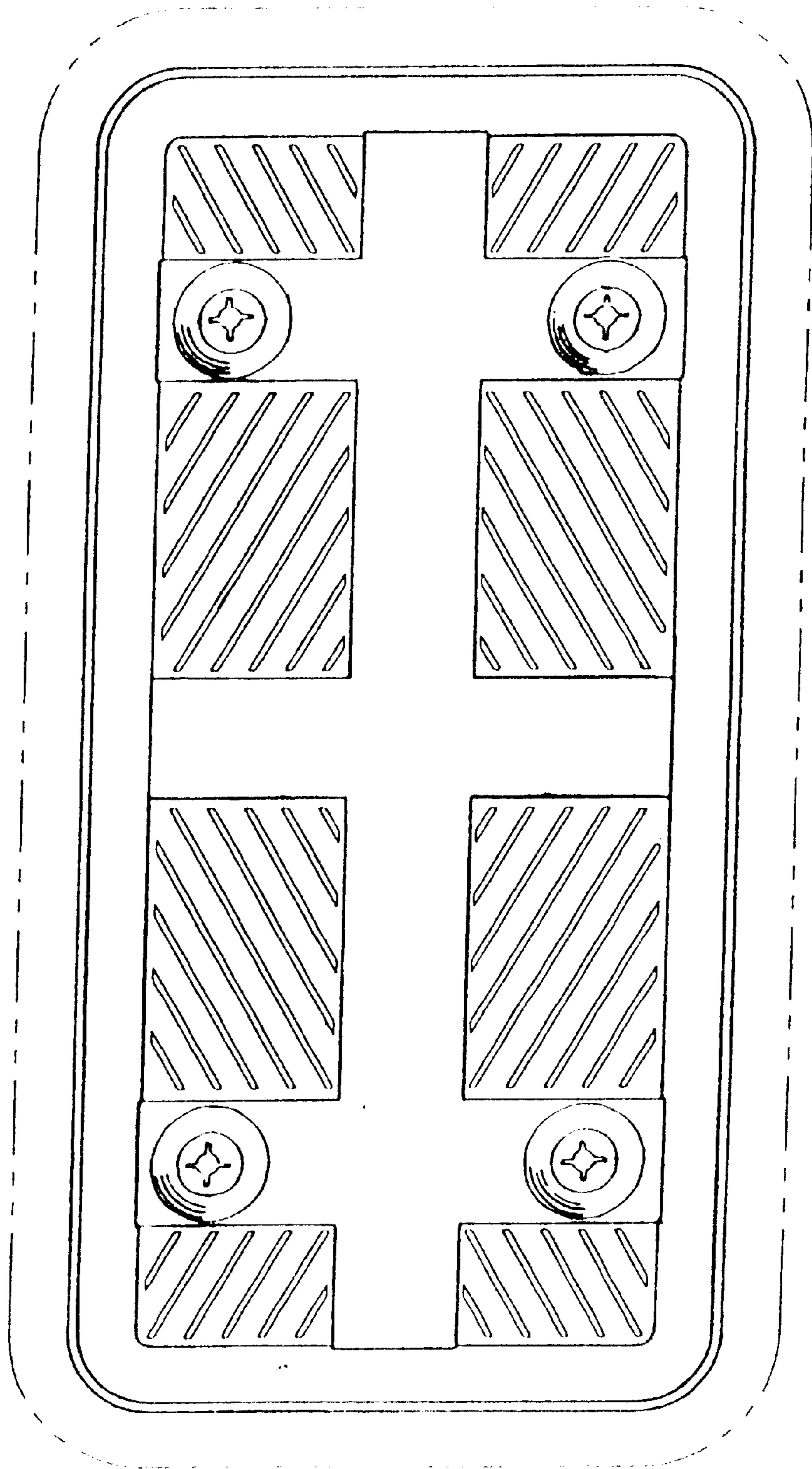


Fig. 4

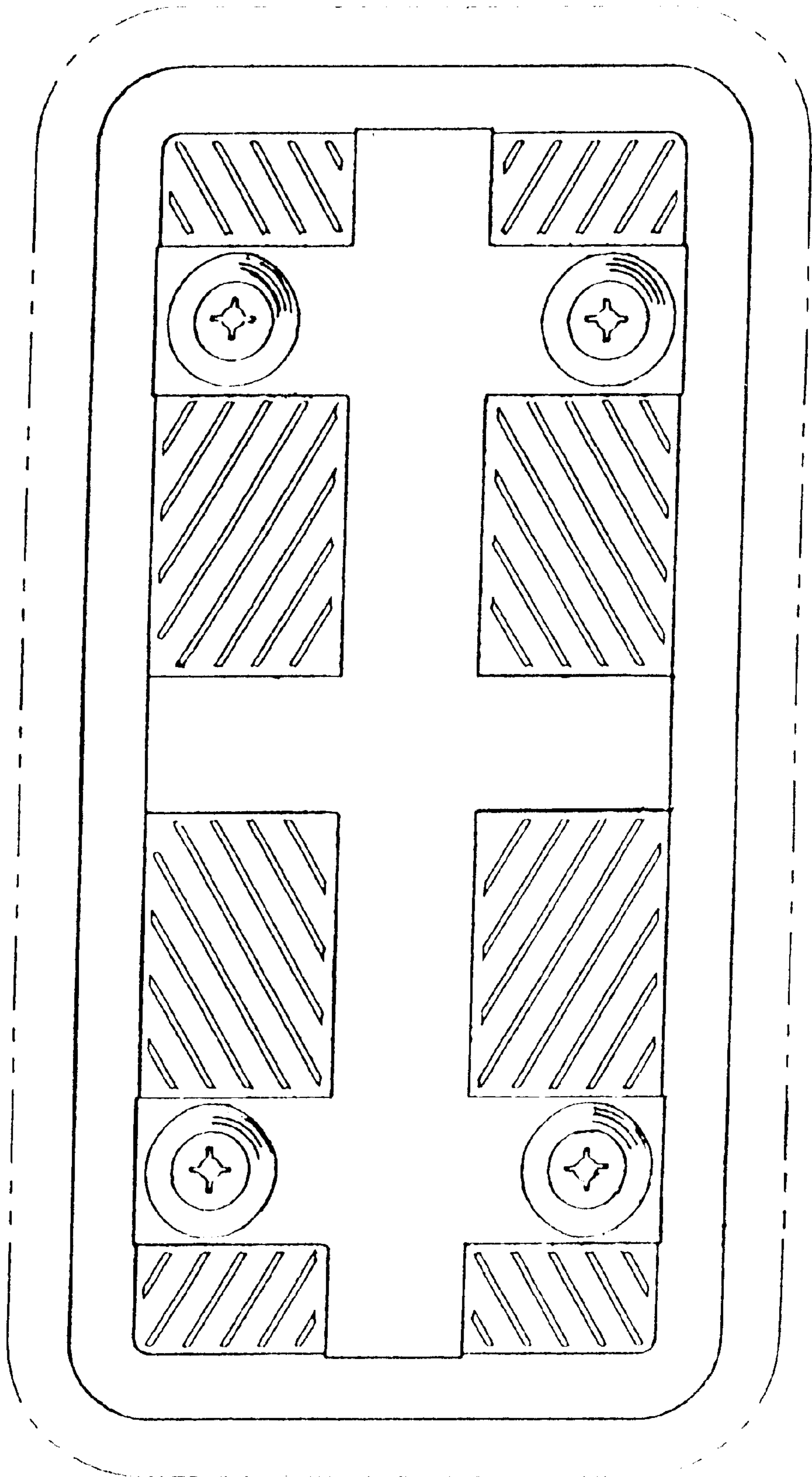


Fig. 5

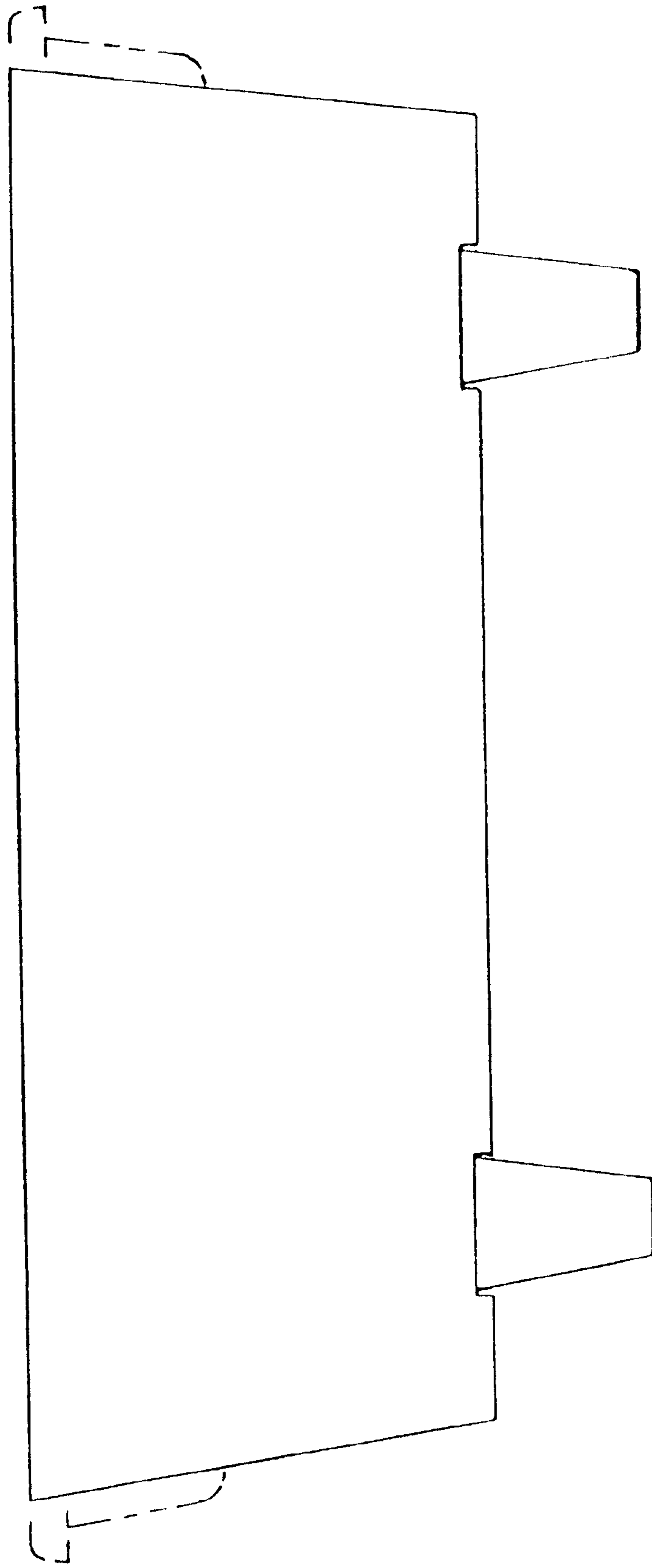


Fig. 7

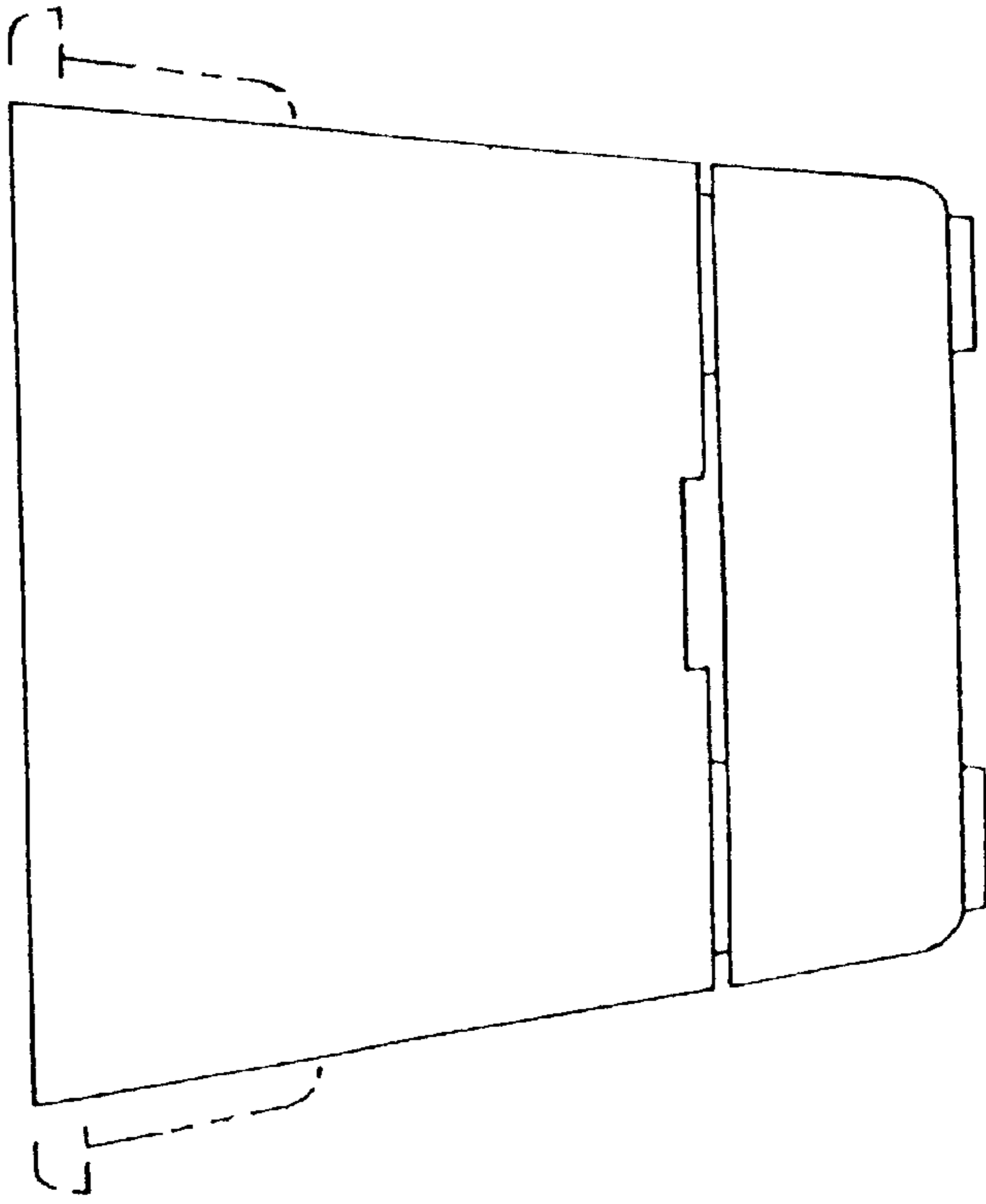


Fig. 6

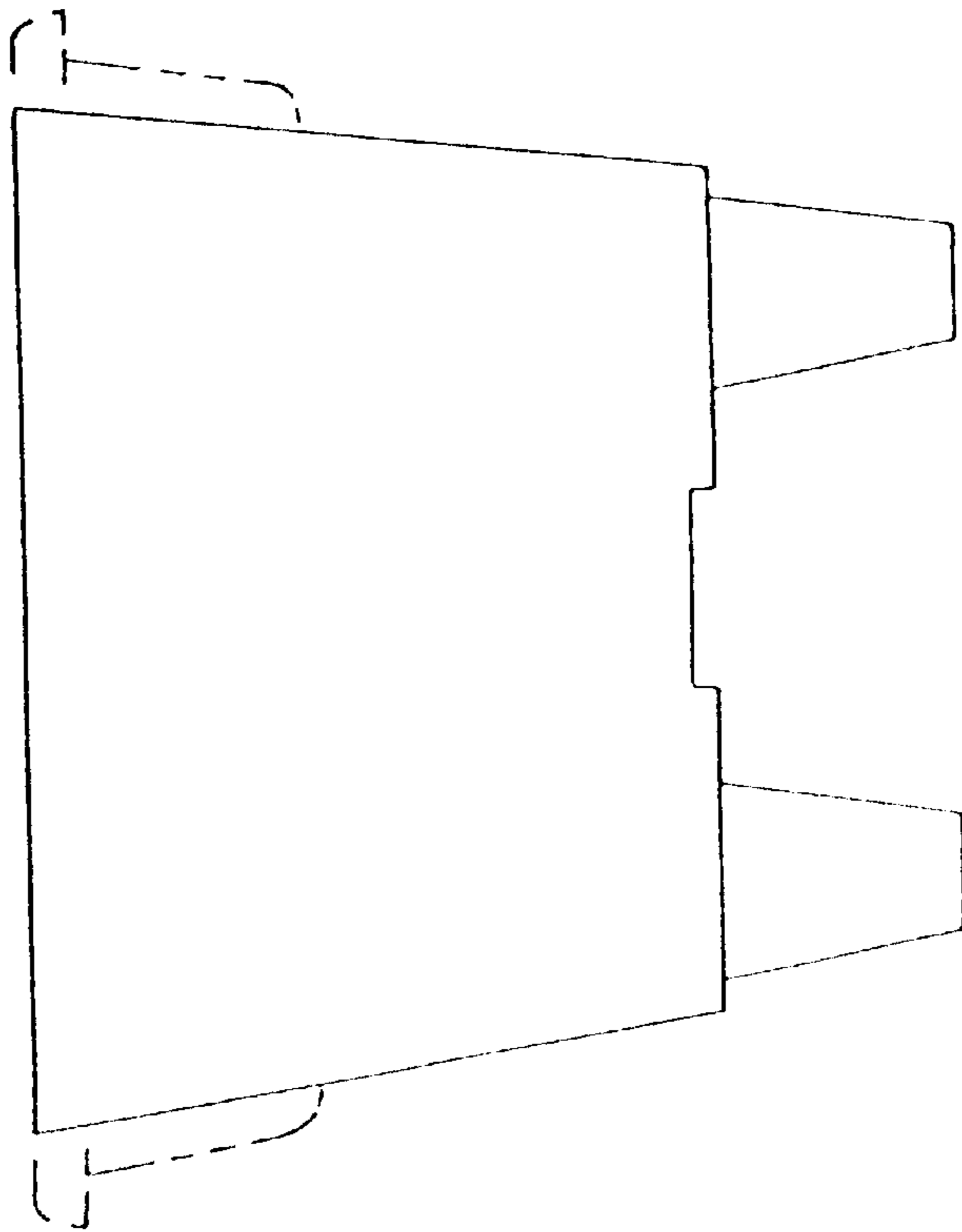


Fig. 8

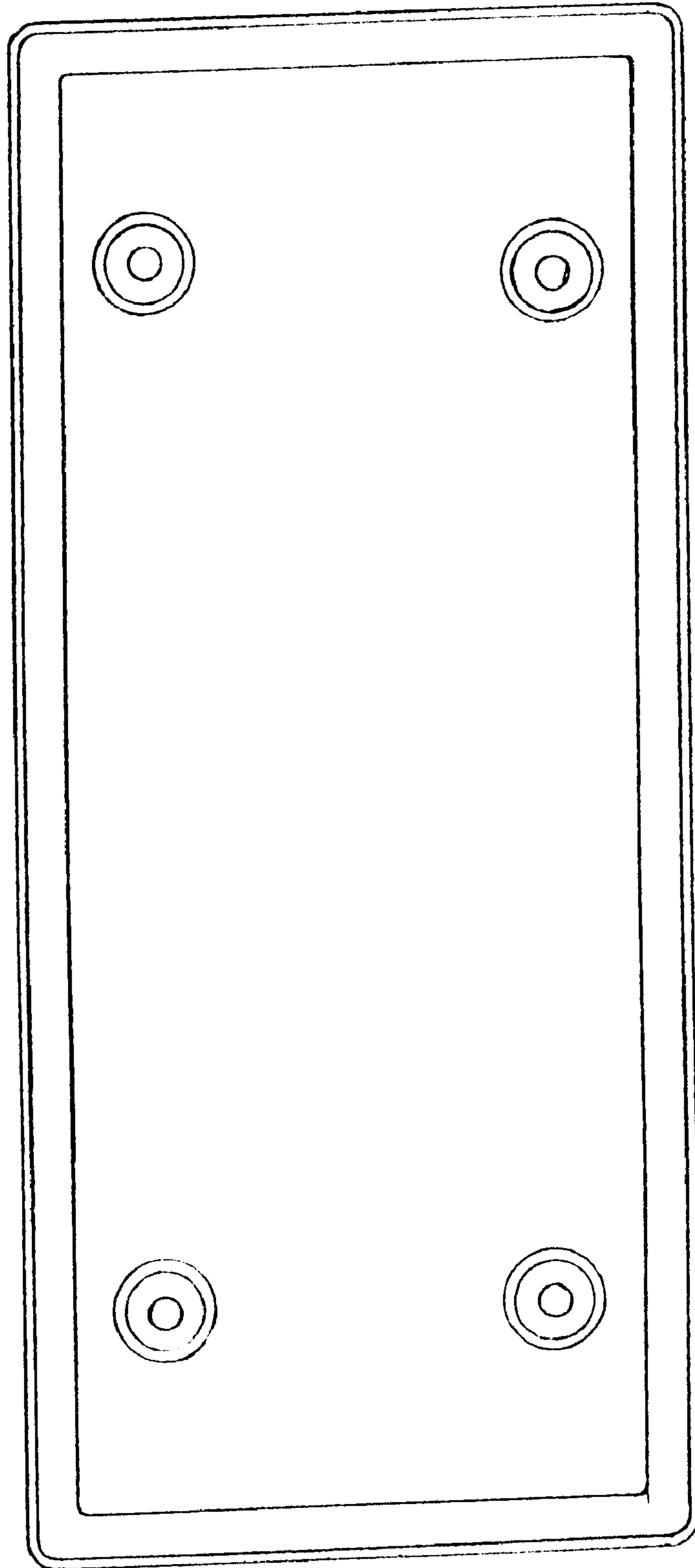


Fig. 9

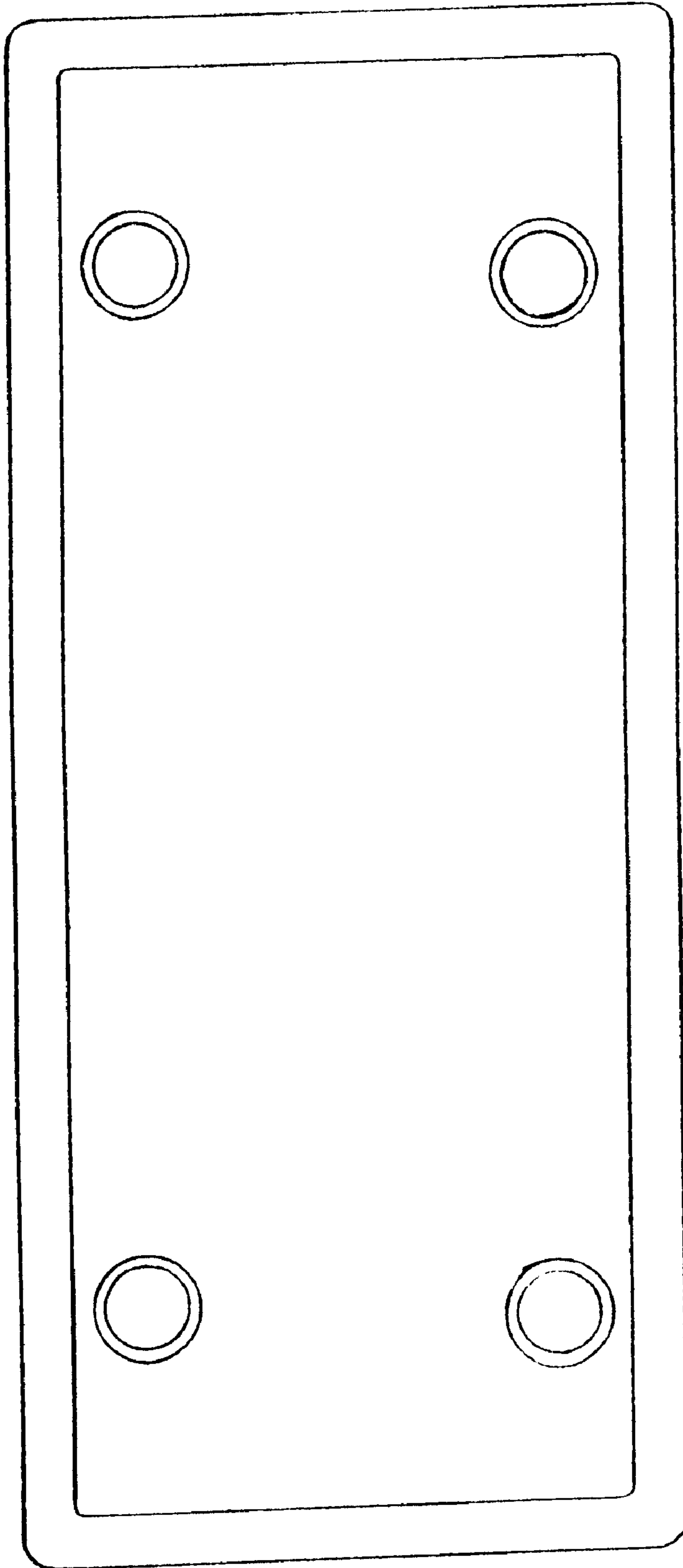


Fig. 10

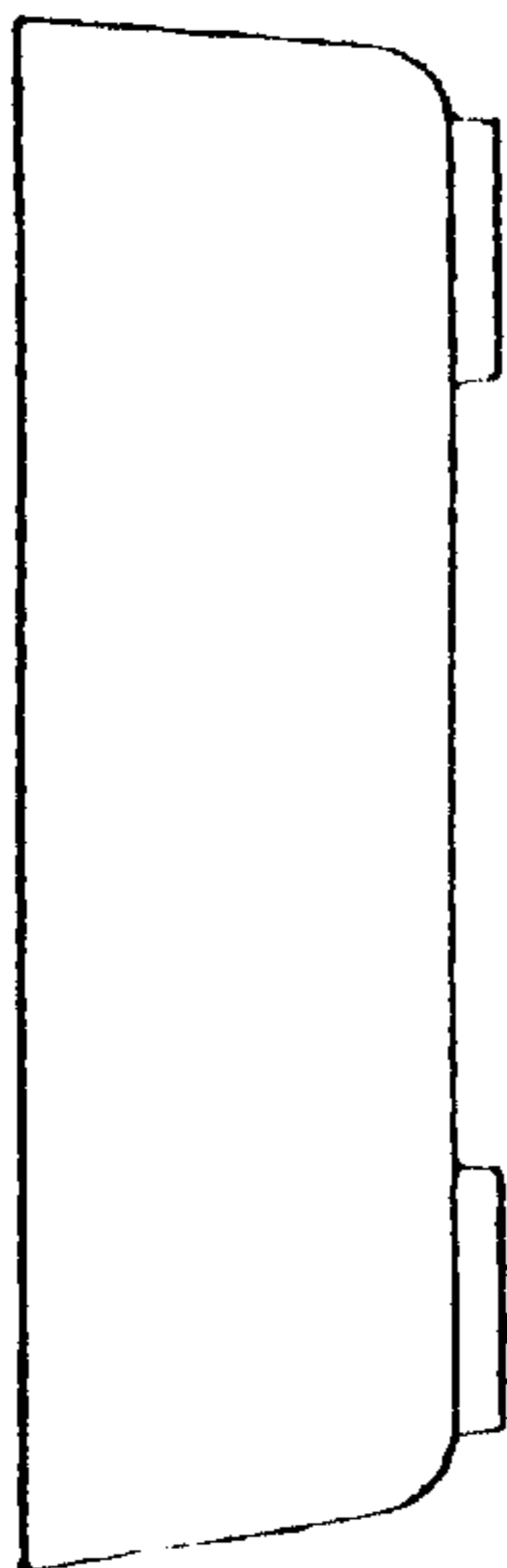


Fig. 11

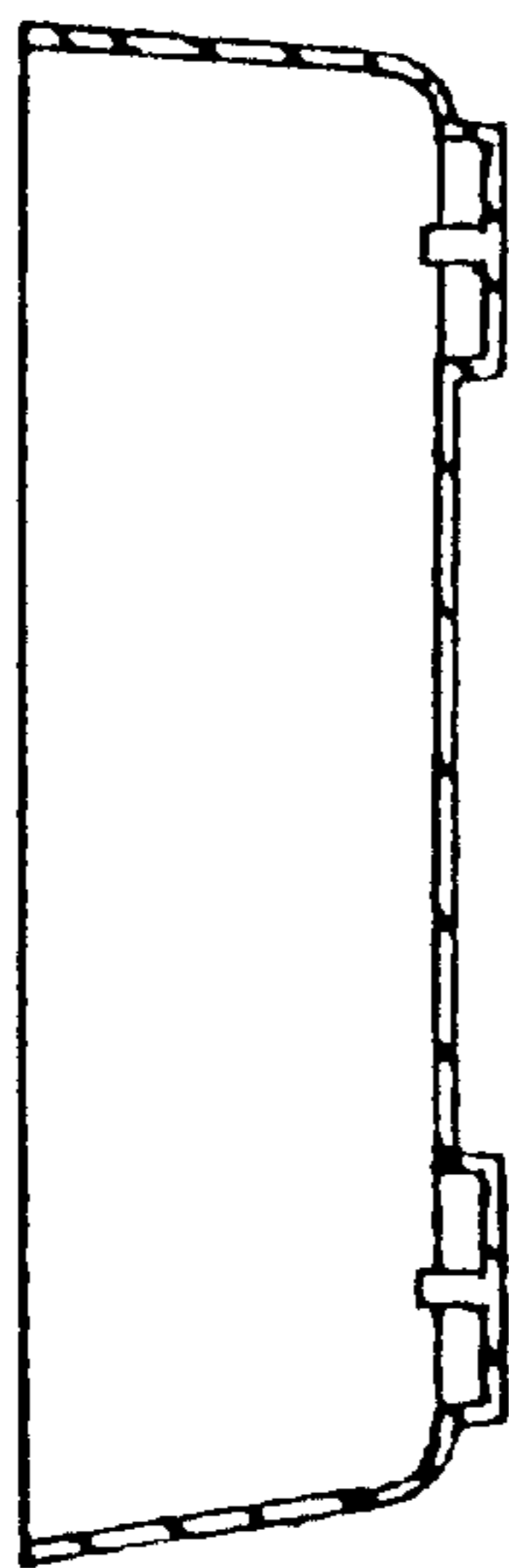


Fig. 13

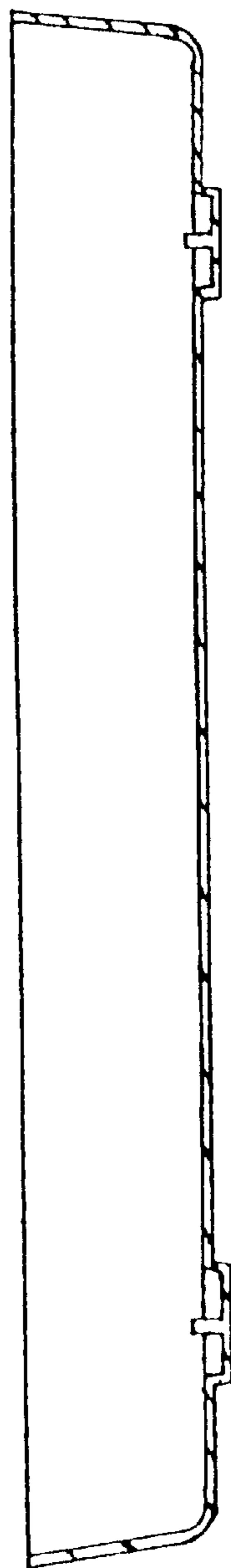


Fig. 12

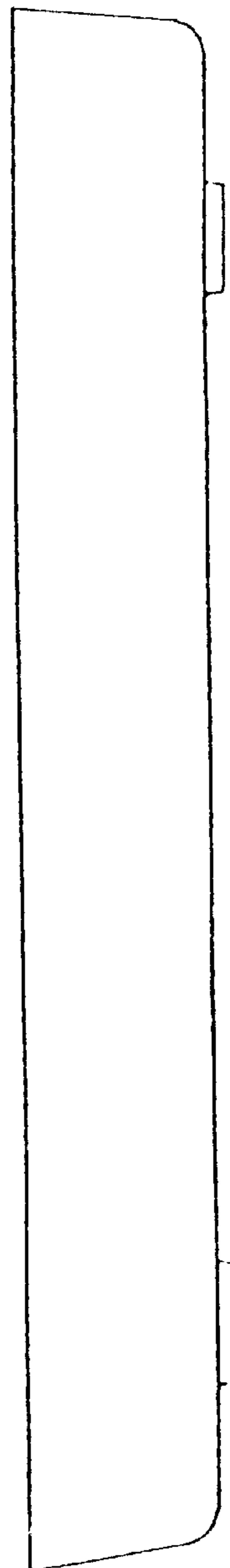


Fig. 14

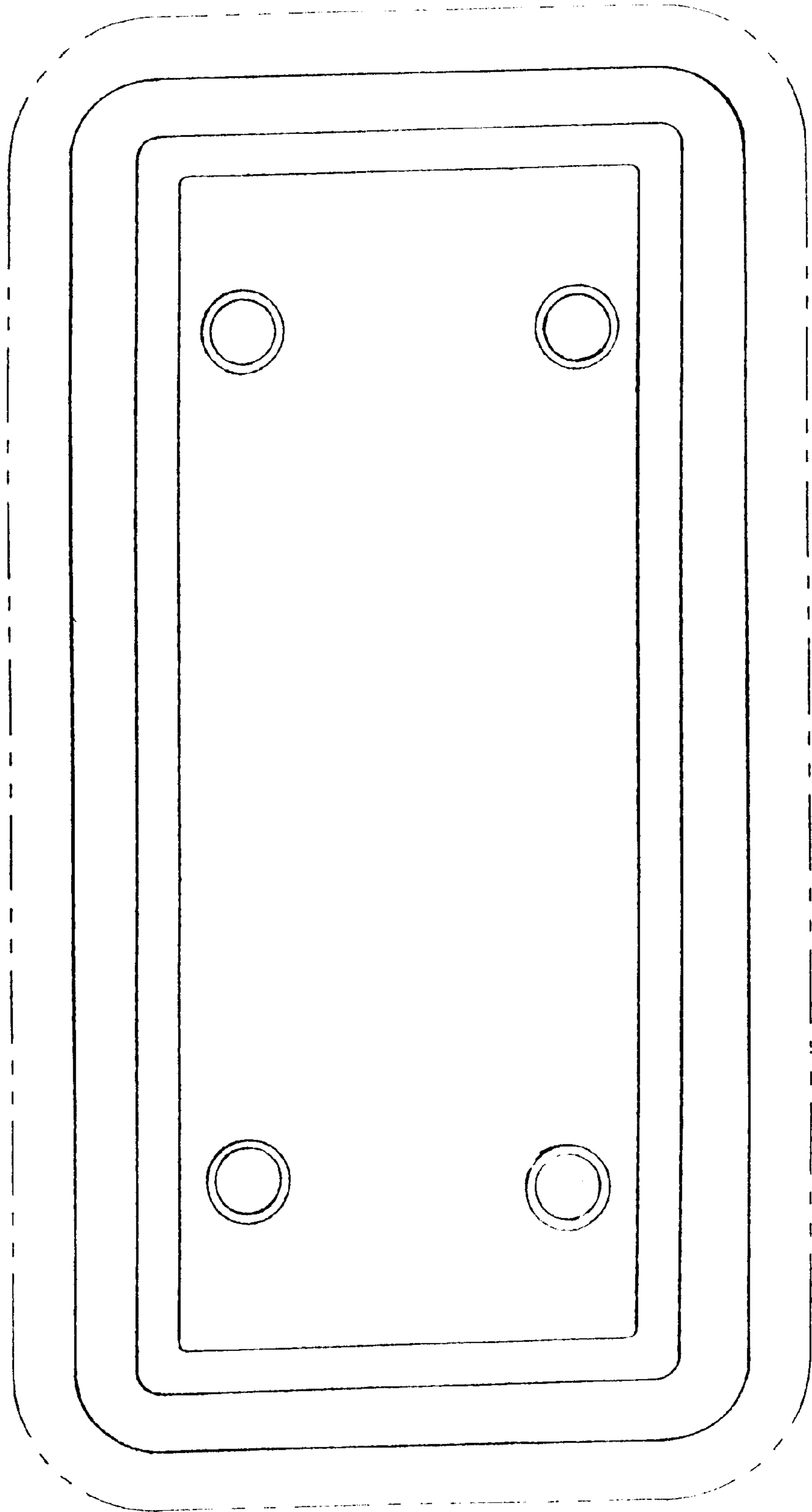


Fig. 15

