



US00D486418S

(12) **United States Design Patent**
Weller

(10) **Patent No.:** **US D486,418 S**

(45) **Date of Patent:** **** Feb. 10, 2004**

(54) **CYLINDER FLOWER POT HOLDER**

(75) Inventor: **Scott Weller**, 350 Parker Dr.,
Pittsburgh, PA (US) 15216

(73) Assignee: **Scott Weller**, Amesbury, MA (US)

(**) Term: **14 Years**

(21) Appl. No.: **29/168,944**

(22) Filed: **Oct. 11, 2002**

(51) **LOC (7) Cl.** **11-02**

(52) **U.S. Cl.** **D11/143**

(58) **Field of Search** D11/143, 144,
D11/148; D8/373; D6/403, 513, 556; 47/39,
41.01, 65.5, 66.6, 67; 206/423; 248/27.8;
D26/138

(56) **References Cited**

U.S. PATENT DOCUMENTS

365,555	A	*	6/1887	Tolman	47/67
D90,966	S	*	11/1933	Bach	D6/556
D224,333	S	*	7/1972	Kelly	D6/556
D247,338	S	*	2/1978	Wagschal	D6/556
D251,399	S	*	3/1979	Dark	D6/513
D280,263	S	*	8/1985	Hoye	D6/556
D282,704	S	*	2/1986	Burnett	D6/556
D306,689	S	*	3/1990	Hamann	D8/373
D310,520	S	*	9/1990	Bedard	D8/373
D348,384	S	*	7/1994	Karsten	D8/373
D358,679	S	*	5/1995	Garrity	D26/138
D359,629	S	*	6/1995	Korkowski	D6/403

* cited by examiner

Primary Examiner—Doris V. Coles

Assistant Examiner—Mimosa De

(74) *Attorney, Agent, or Firm*—Scott Weller

(57) **CLAIM**

The ornamental design for the cylinder flower pot holder, as shown and described.

DESCRIPTION

FIG. 1 is a top view of a cylinder flower pot holder showing my new design;

FIG. 2 is a bottom view thereof;

FIG. 3 is a rear perspective view thereof;

FIG. 4 is a bottom perspective view thereof;

FIG. 5 is a side perspective view thereof;

FIG. 6 is the opposite side perspective view thereof;

FIG. 7 is a rear perspective view as in FIG. 3, showing a flower pot being placed in the pot holder;

FIG. 8 is a rear perspective view as in FIG. 3 showing a flower pot completely placed in the pot holder;

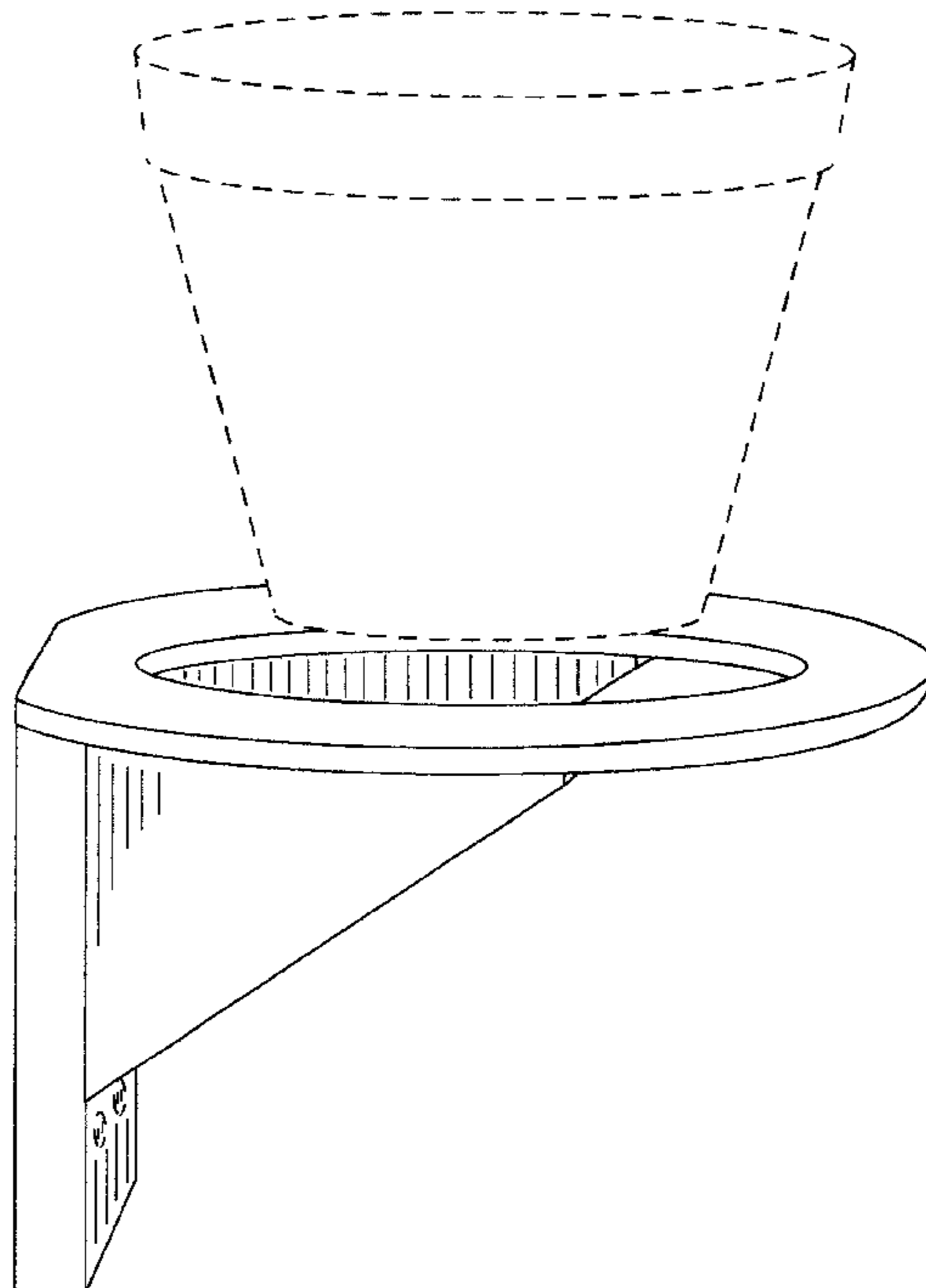
FIG. 9 is a side perspective view thereof showing a flower pot being placed in the pot holder;

FIG. 10 is a side perspective view thereof showing a flower pot completely placed in the pot holder; and,

FIG. 11 is an exploded bottom perspective view.

The broken lines showing of the flower pot, mounting screws, and mounting screw holes in FIGS. 3 through 11 are for illustrative purposes only and form no part of the claimed design.

1 Claim, 11 Drawing Sheets



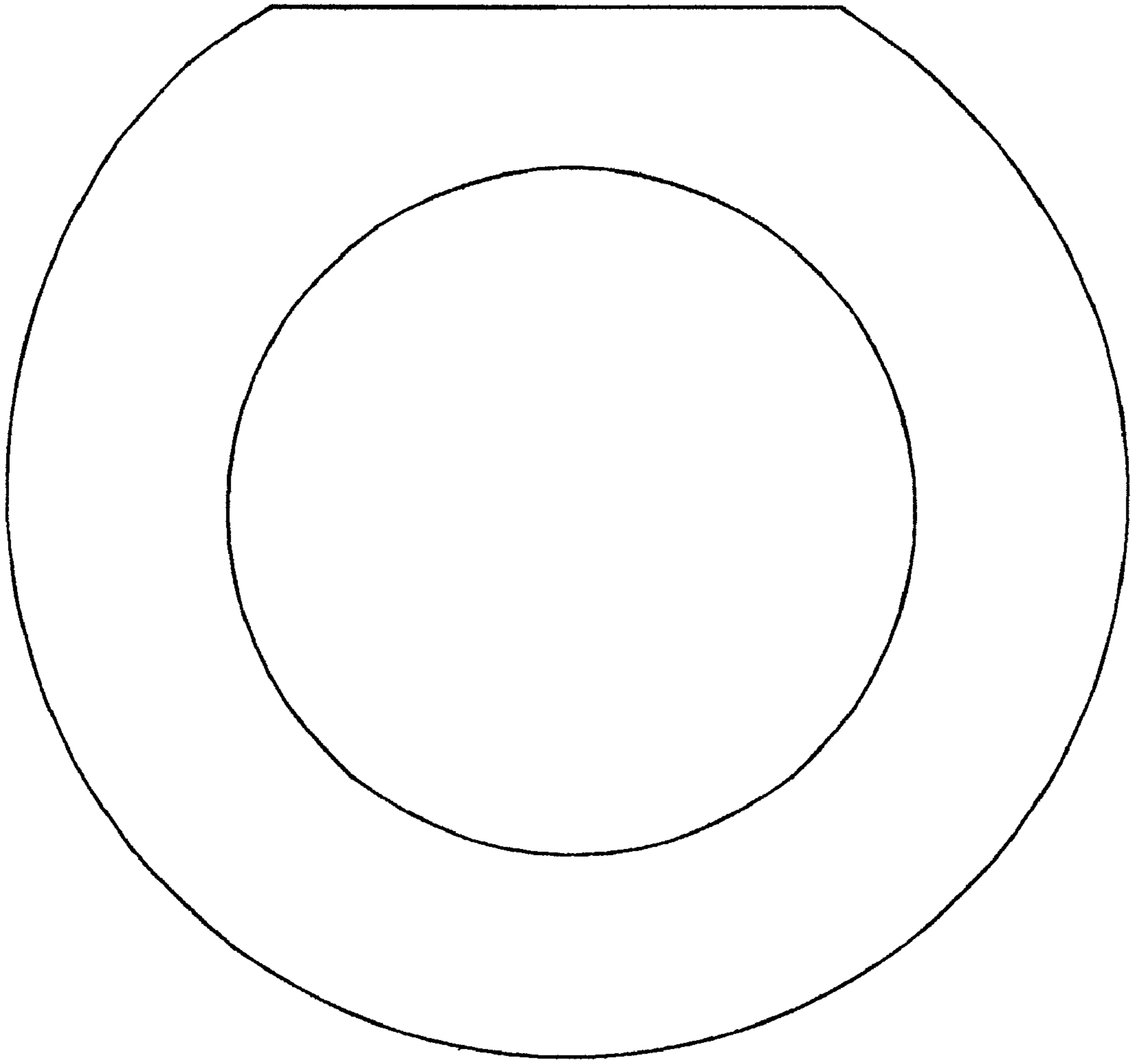


Fig. 1

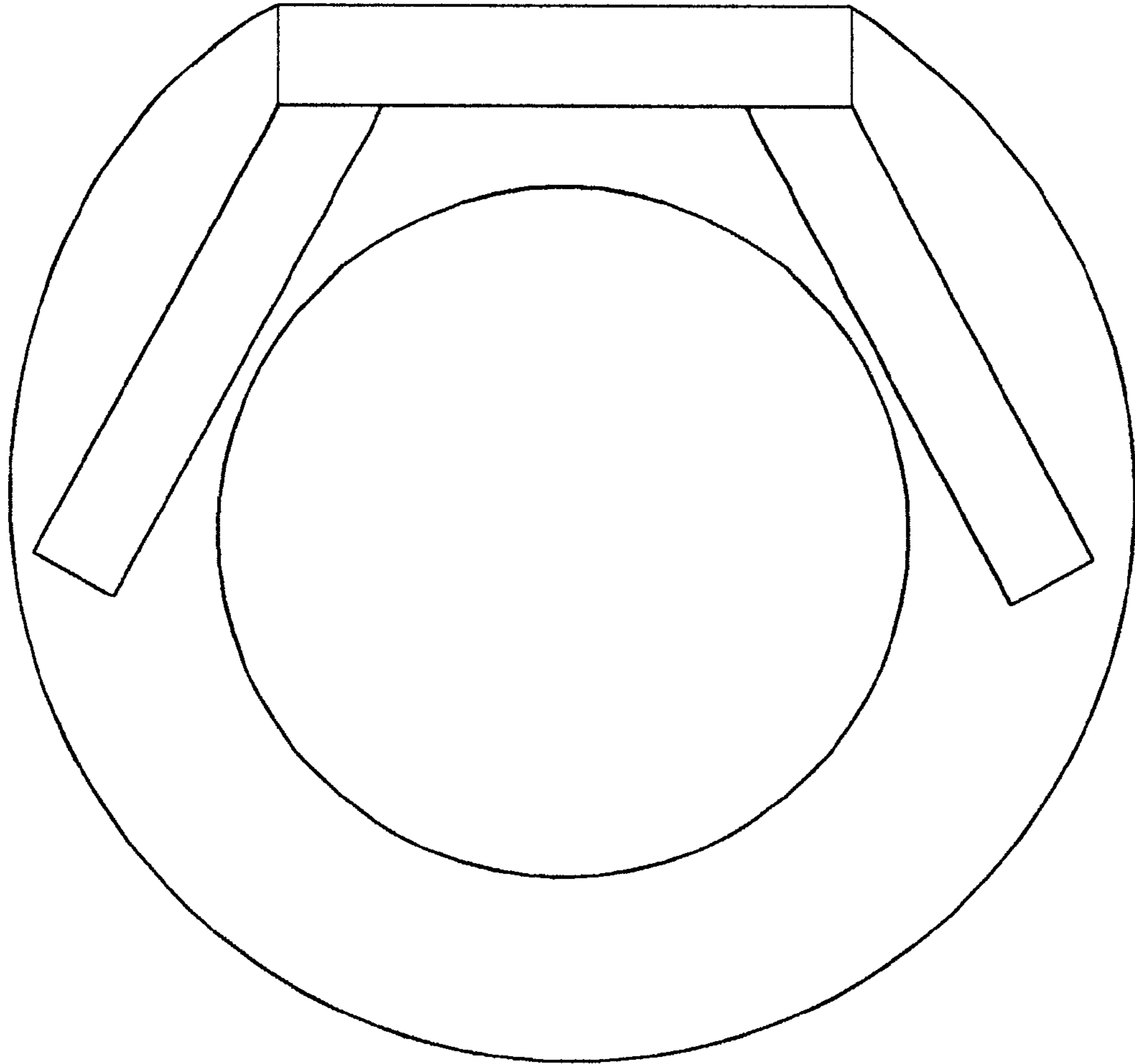


Fig. 2

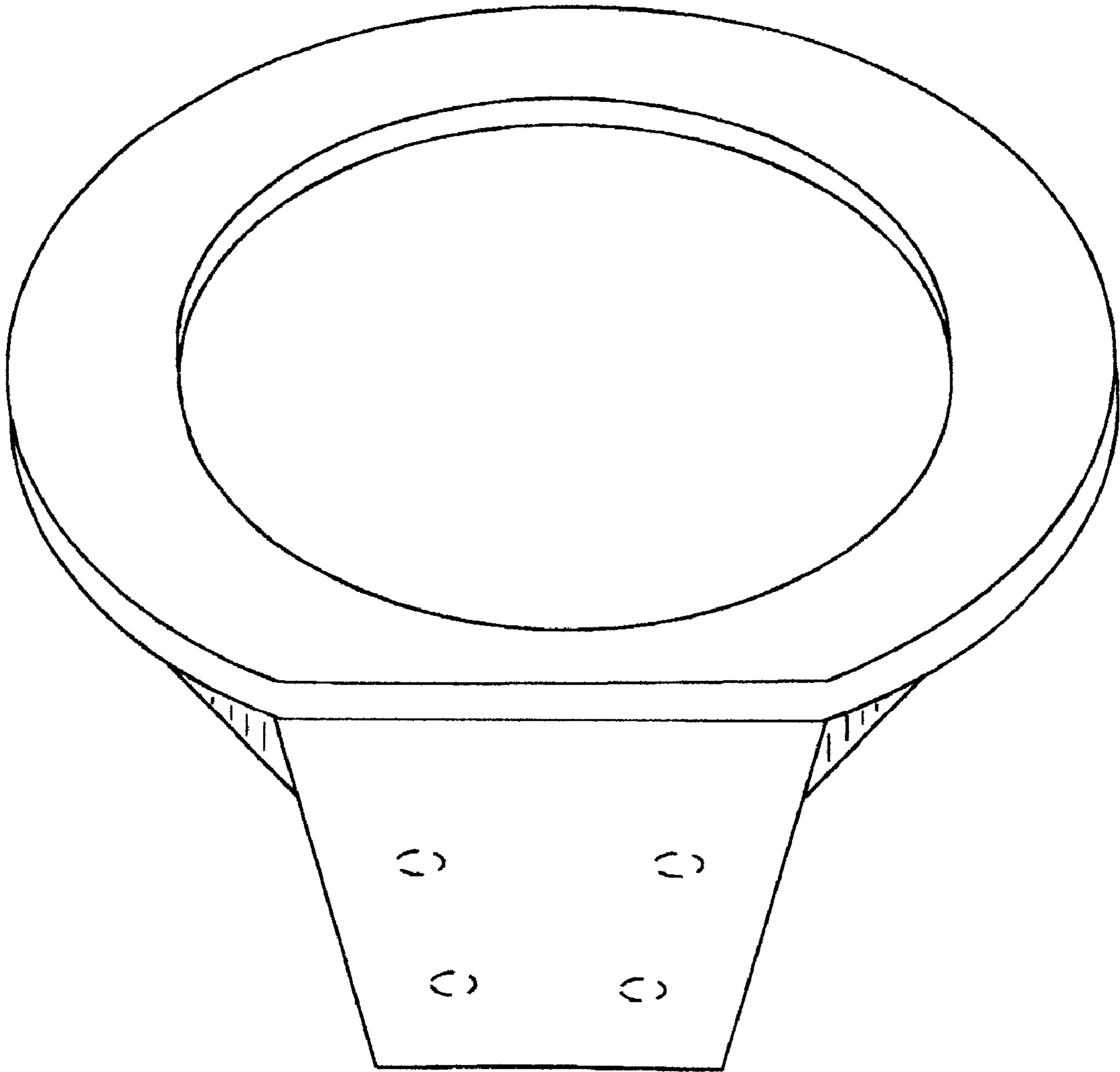


Fig. 3

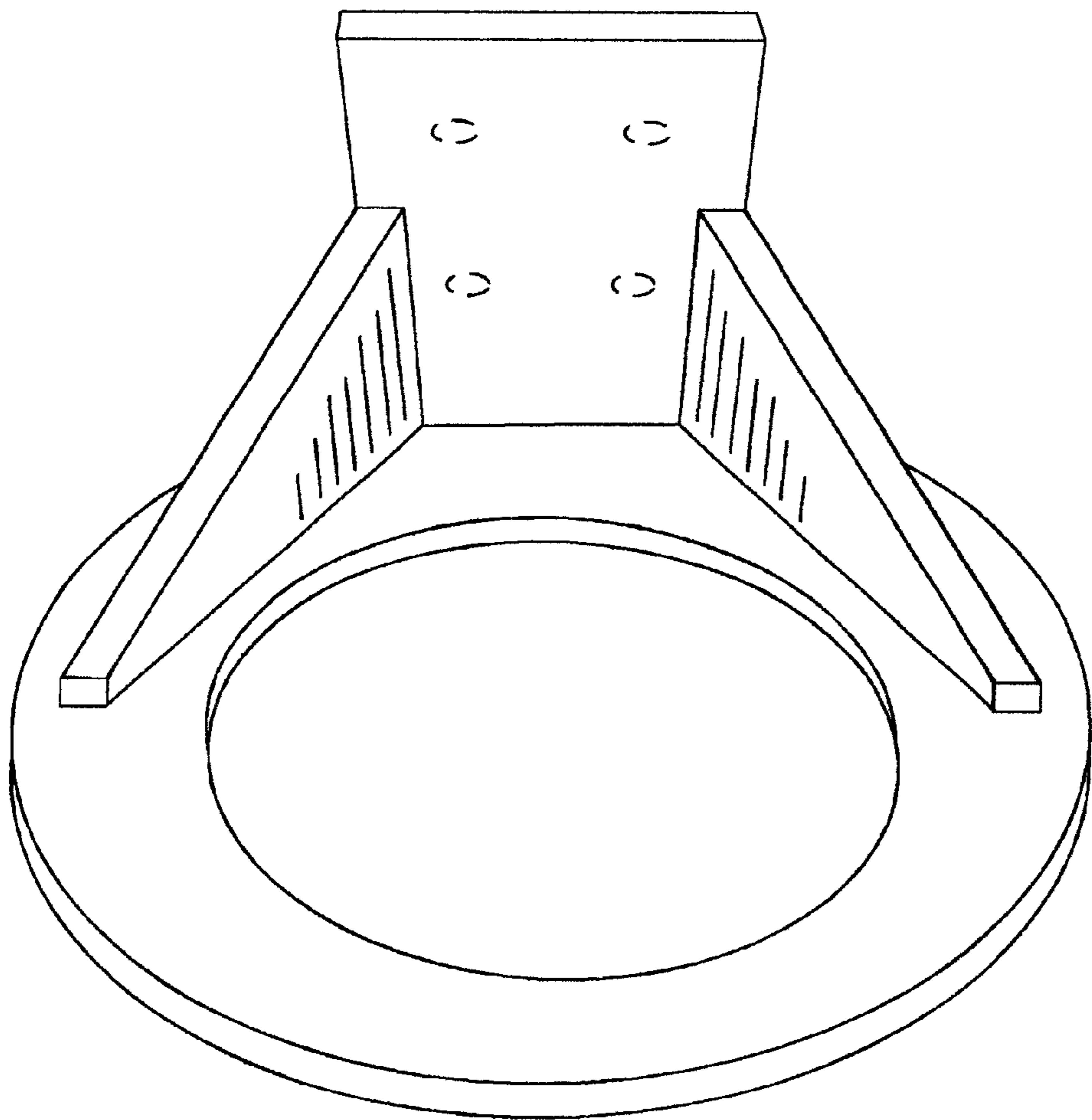


Fig. 4

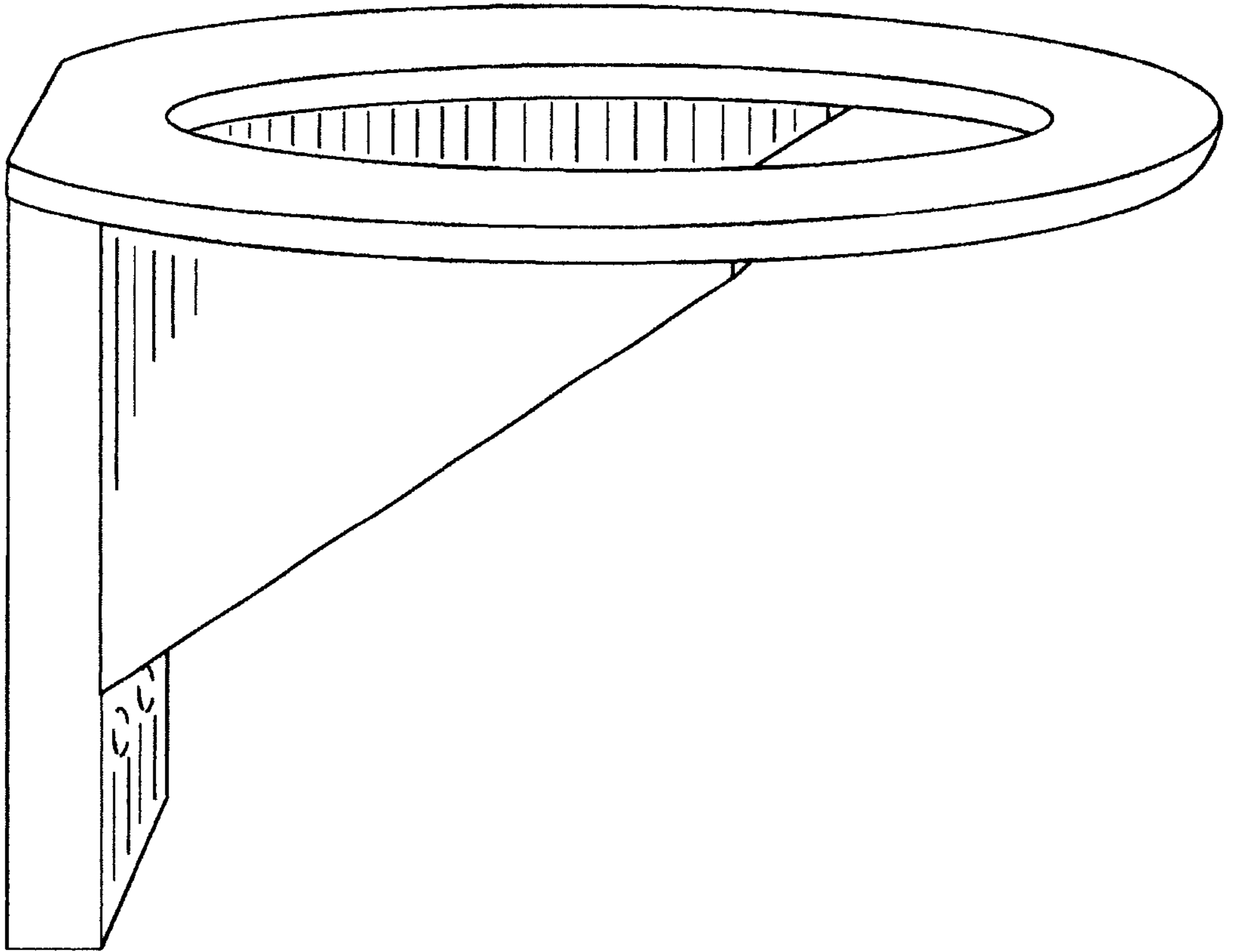


Fig. 5

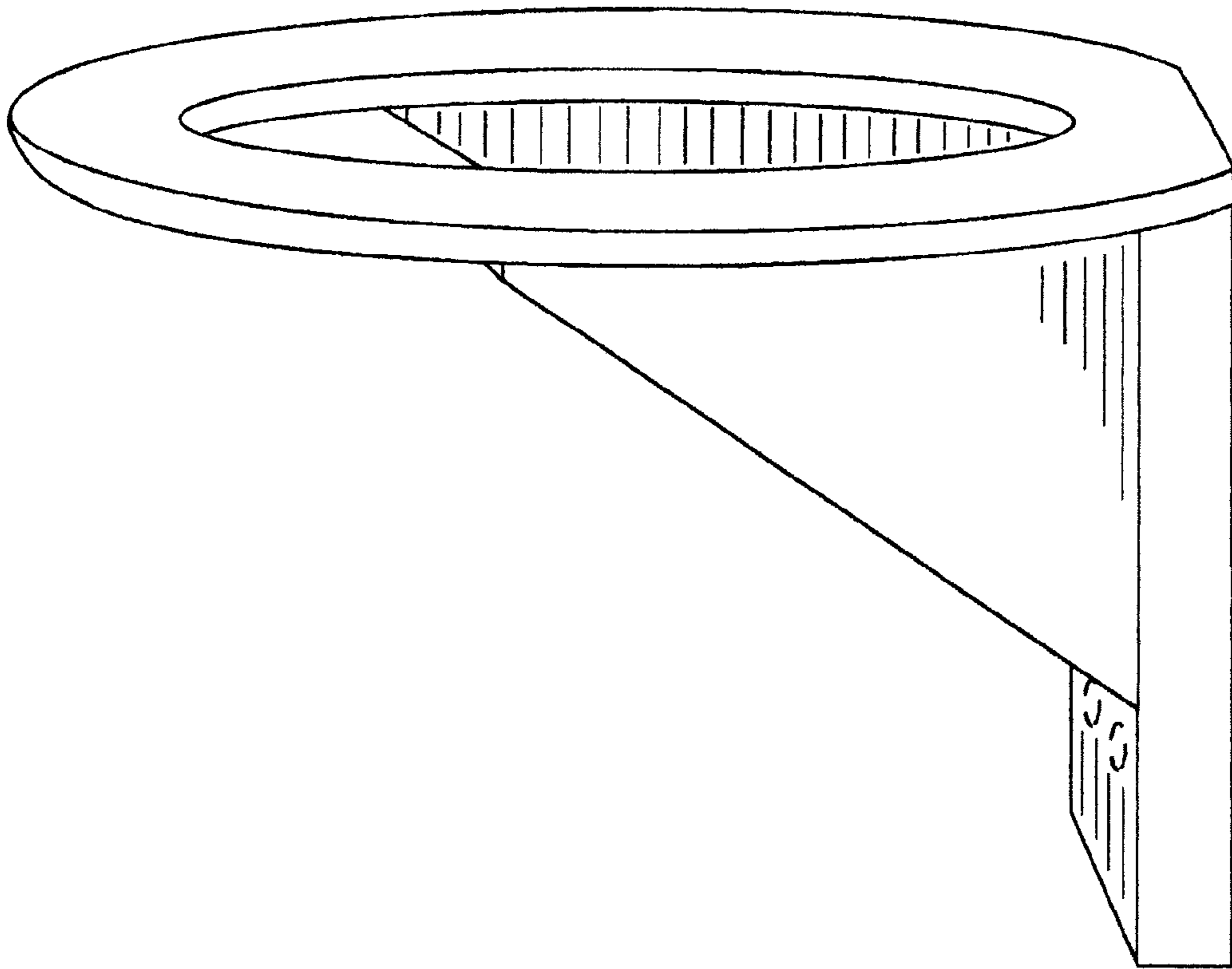


Fig. 6

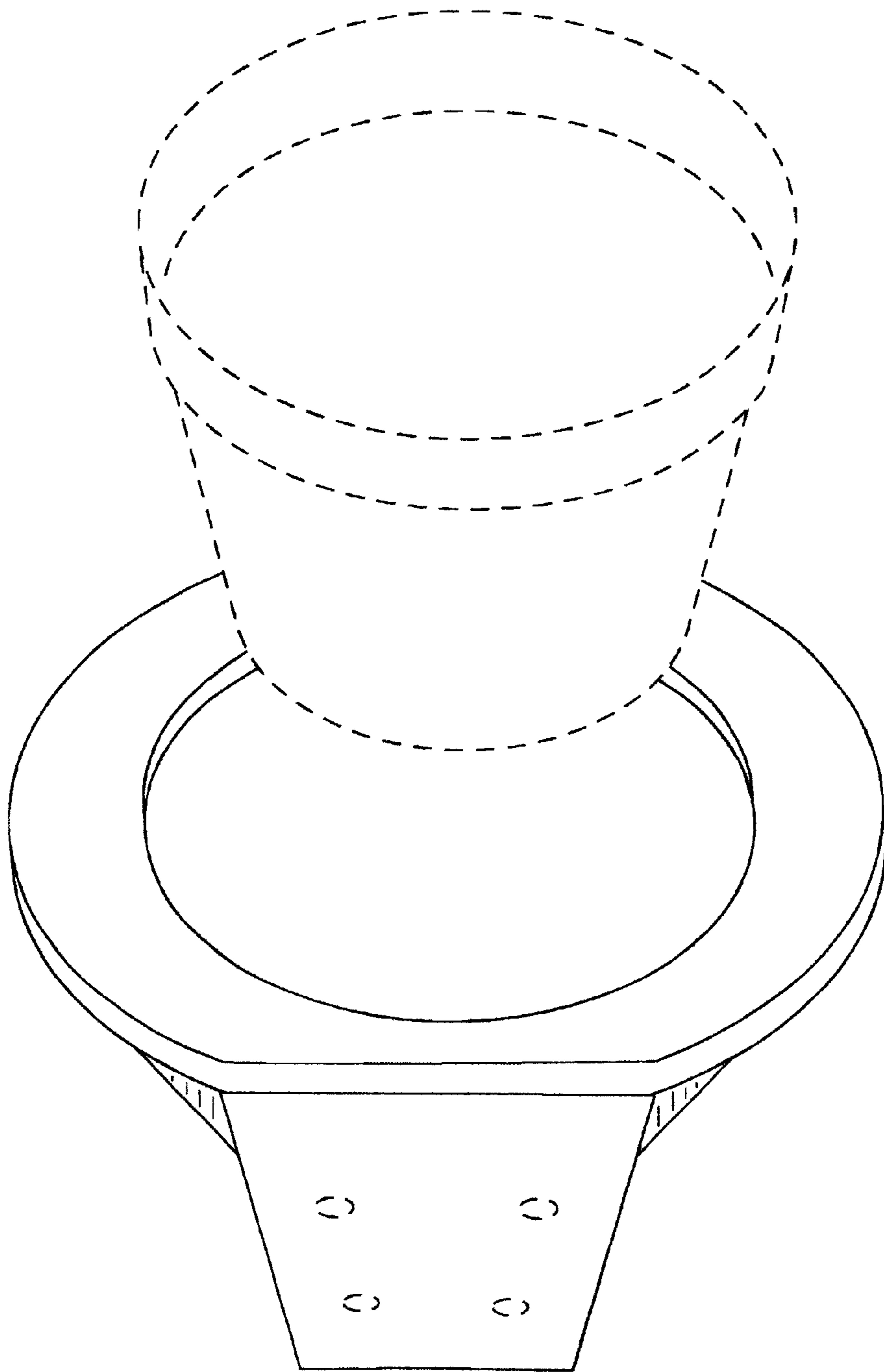


Fig. 7

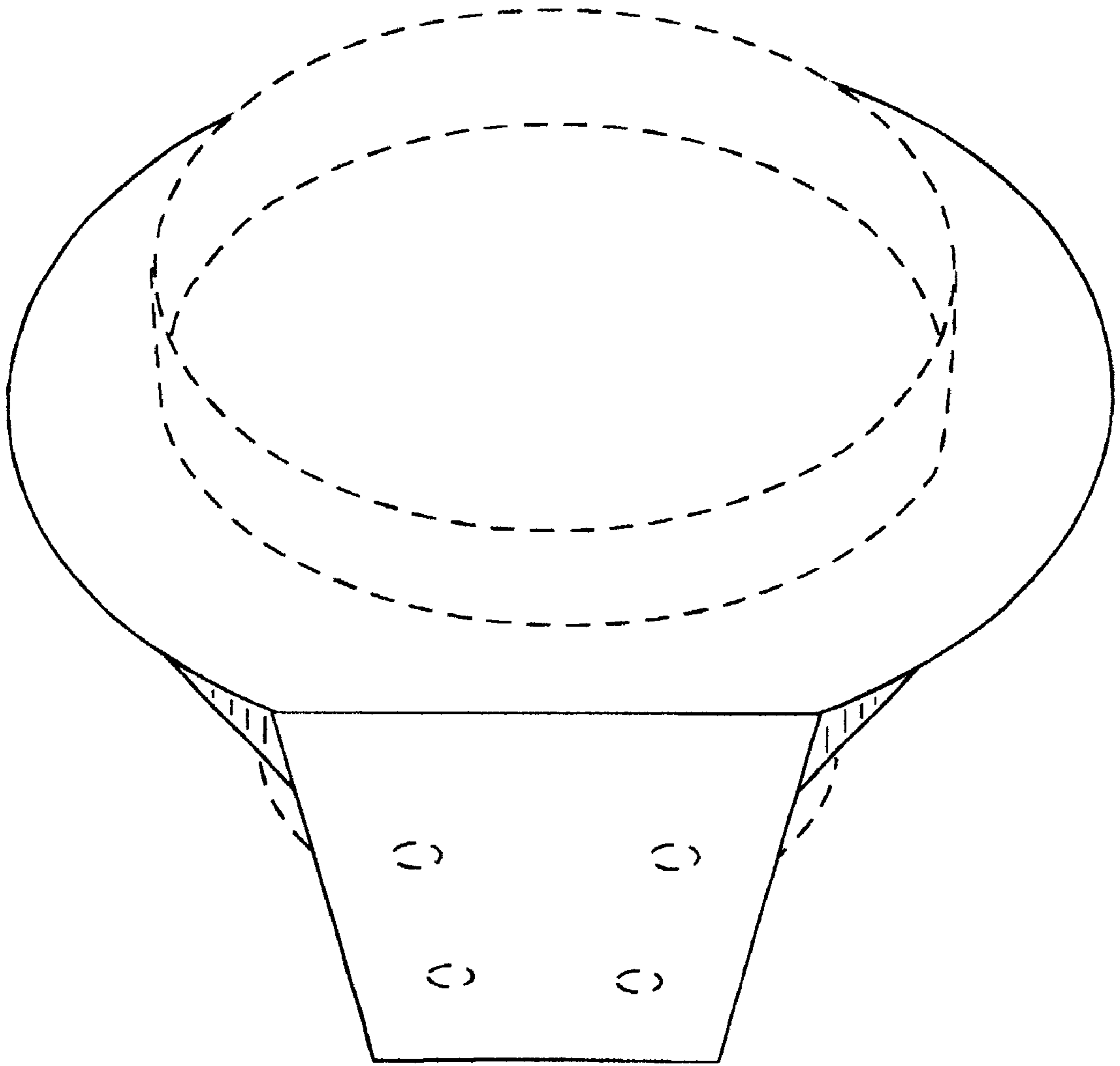


Fig. 8

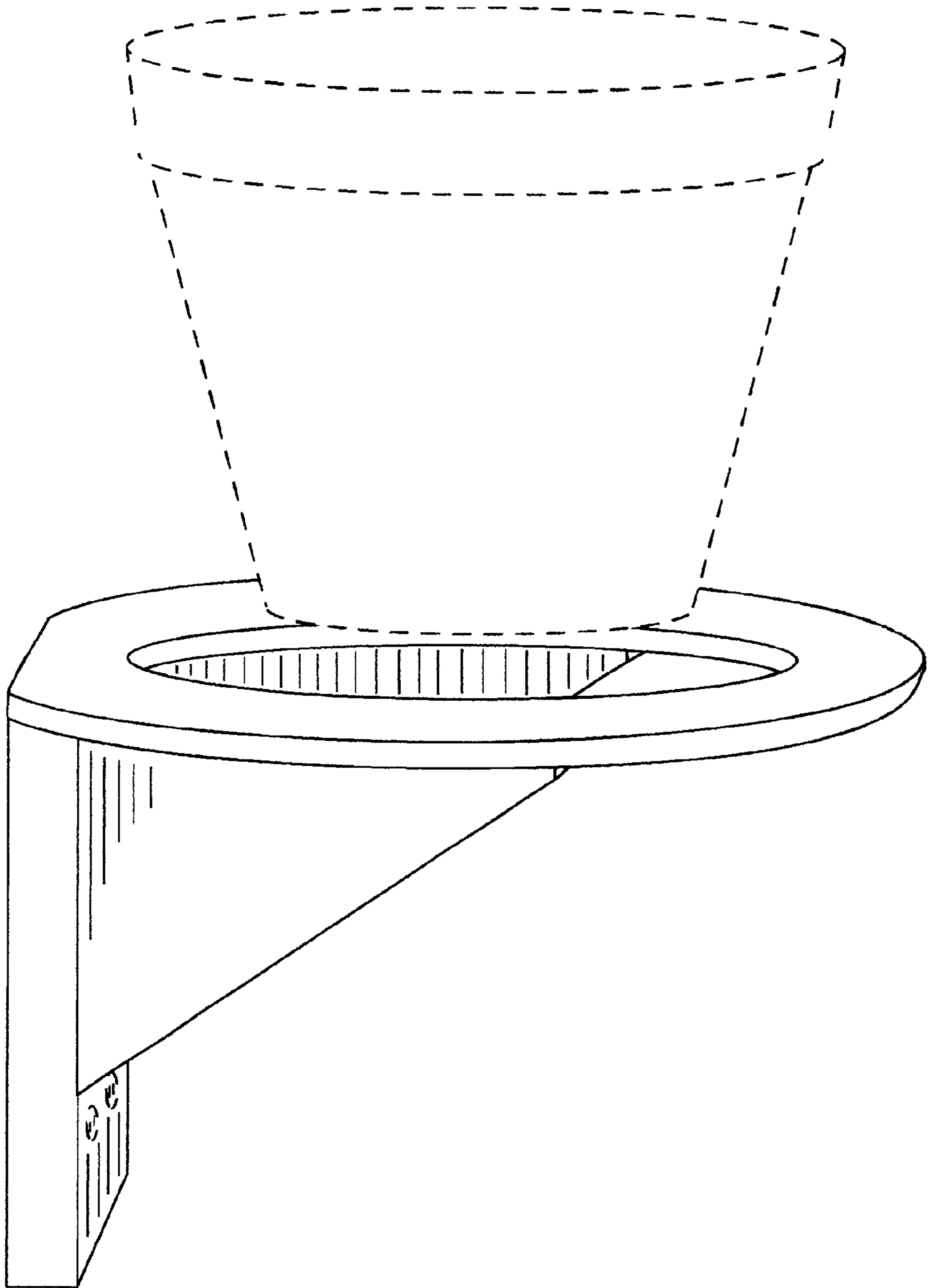


Fig. 9

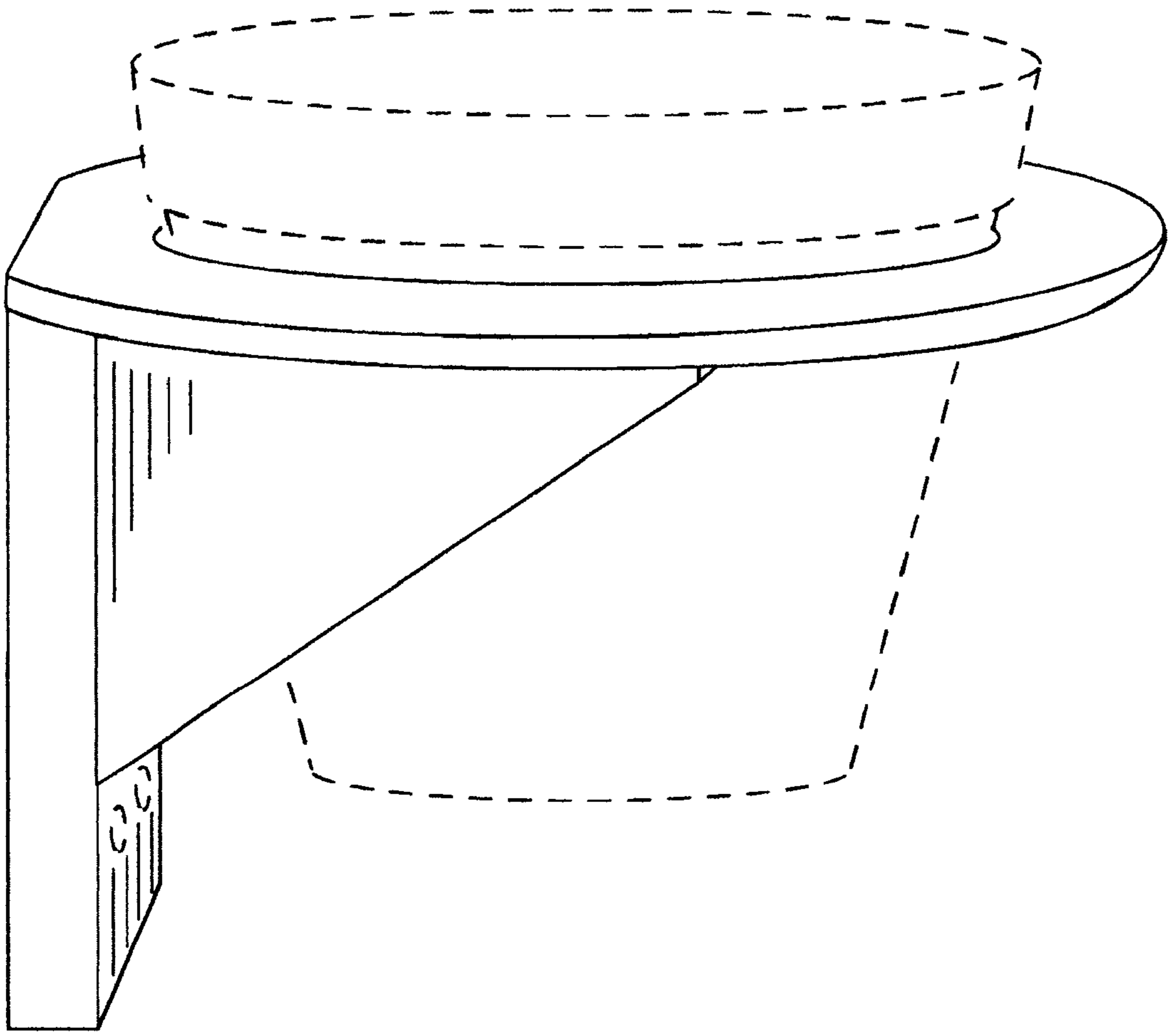


Fig. 10

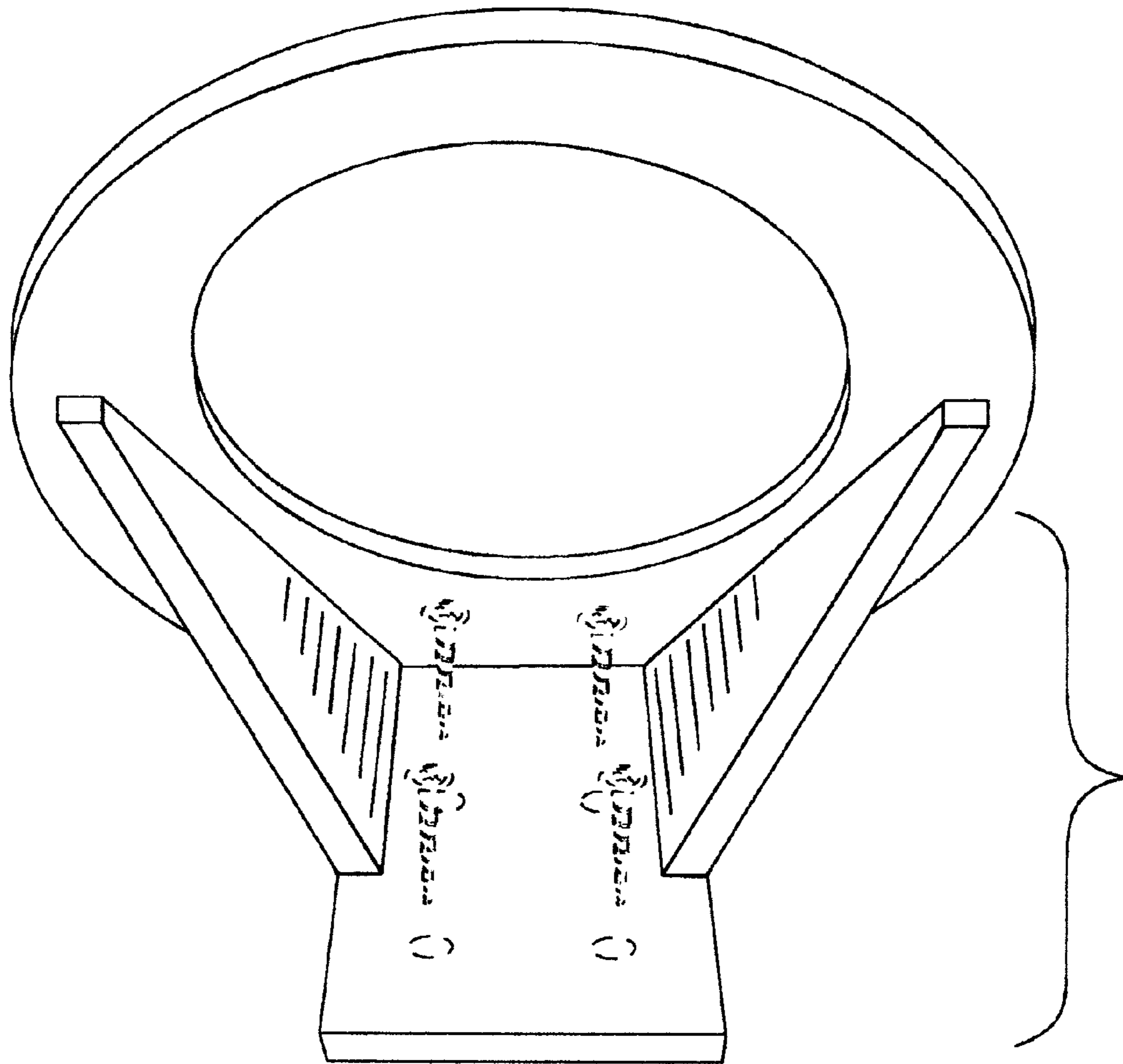


Fig. 11