



US00D486413S

(12) **United States Design Patent**
Primos

(10) **Patent No.:** **US D486,413 S**

(45) **Date of Patent:** **** Feb. 10, 2004**

(54) **WHISTLE GAME CALL APPARATUS**

(75) Inventor: **Wilbur R. Primos**, Madison, MS (US)

(73) Assignee: **Primos, Inc.**, Flora, MS (US)

(**) Term: **14 Years**

(21) Appl. No.: **29/180,300**

(22) Filed: **Apr. 21, 2003**

(51) **LOC (7) Cl.** **10-05**

(52) **U.S. Cl.** **D10/119**

(58) **Field of Search** D10/116, 119;
446/204-206; 116/22 A, 137 R, 140, 24

(56) **References Cited**

U.S. PATENT DOCUMENTS

696,814 A *	4/1902	Hatch	446/206
3,066,443 A *	12/1962	Mobley	446/204
D244,787 S *	6/1977	Cohen	D10/119
D395,837 S *	7/1998	Davis, Jr.	D10/119
D405,378 S *	2/1999	Rhodes	D10/119
D441,679 S *	5/2001	Foiles	D10/119
6,413,139 B1 *	7/2002	Douglas	446/204

* cited by examiner

Primary Examiner—Nelson C. Holtje

(74) *Attorney, Agent, or Firm*—Holland & Hart

(57) **CLAIM**

The ornamental design for a whistle game call apparatus, as shown and described.

DESCRIPTION

FIG. 1 is a perspective view of a whistle game call apparatus according to the present invention;

FIG. 2 is a bottom perspective view, rotated 180° relative to FIG. 1, of the whistle game call apparatus of FIG. 1;

FIG. 3 is a top view of the whistle game call apparatus of FIG. 1;

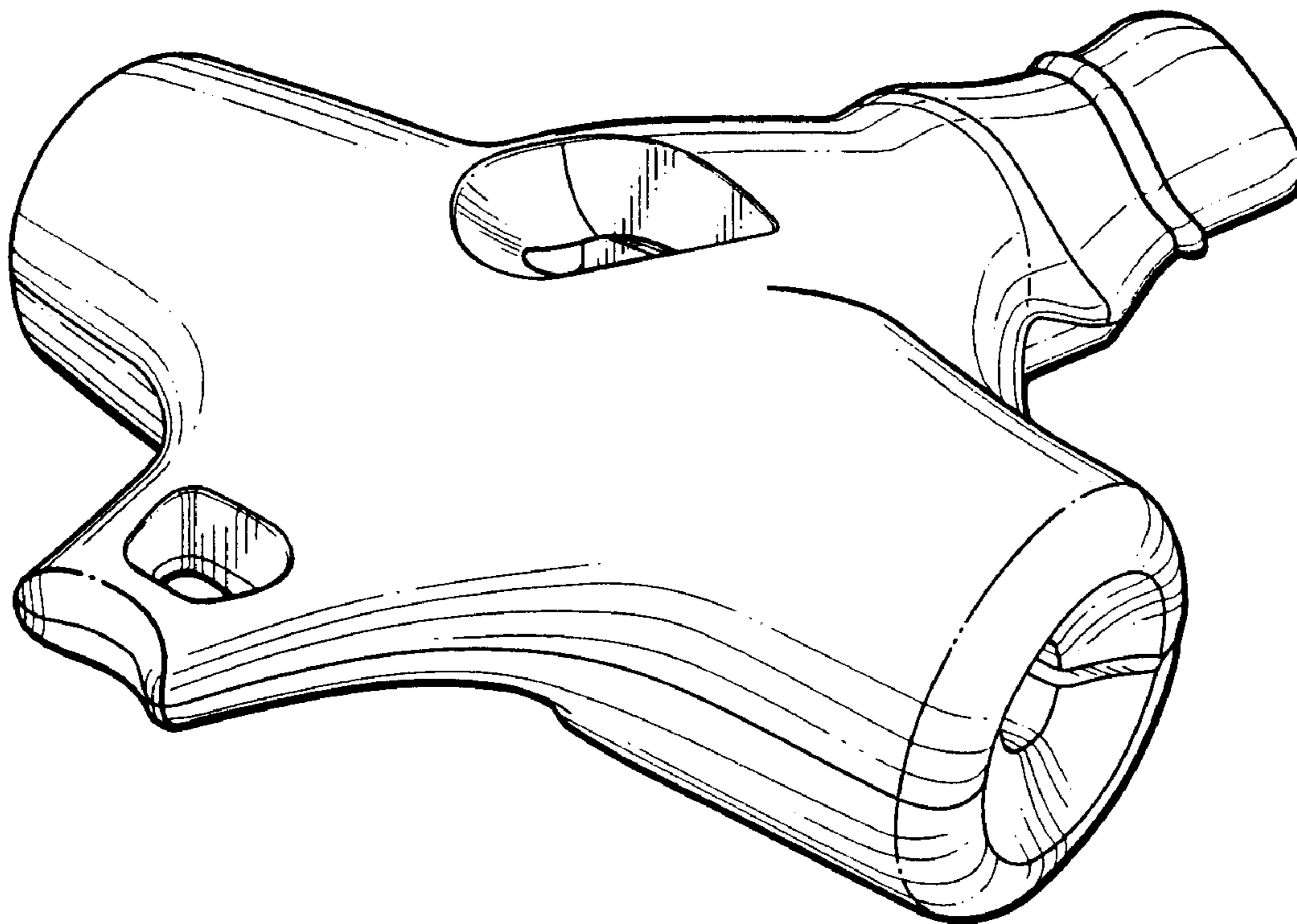
FIG. 4 is a bottom view of the whistle game call apparatus of FIG. 1;

FIG. 5 is a left side elevation view of the whistle game call apparatus of FIG. 1;

FIG. 6 is a front elevation view of the whistle game call apparatus of FIG. 1; and,

FIG. 7 is a rear elevation view of the whistle game call apparatus of FIG. 1.

1 Claim, 3 Drawing Sheets



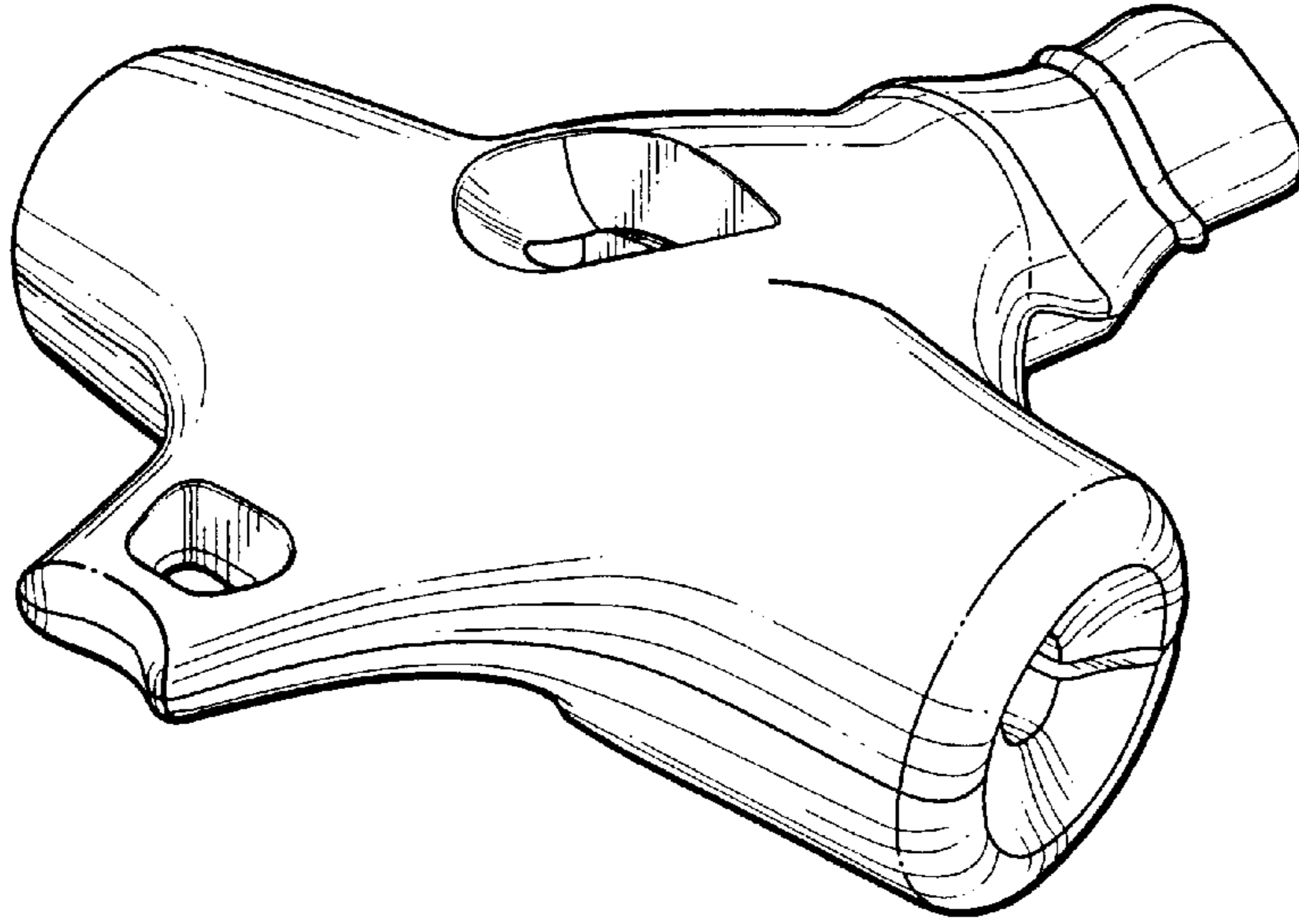


Fig. 1

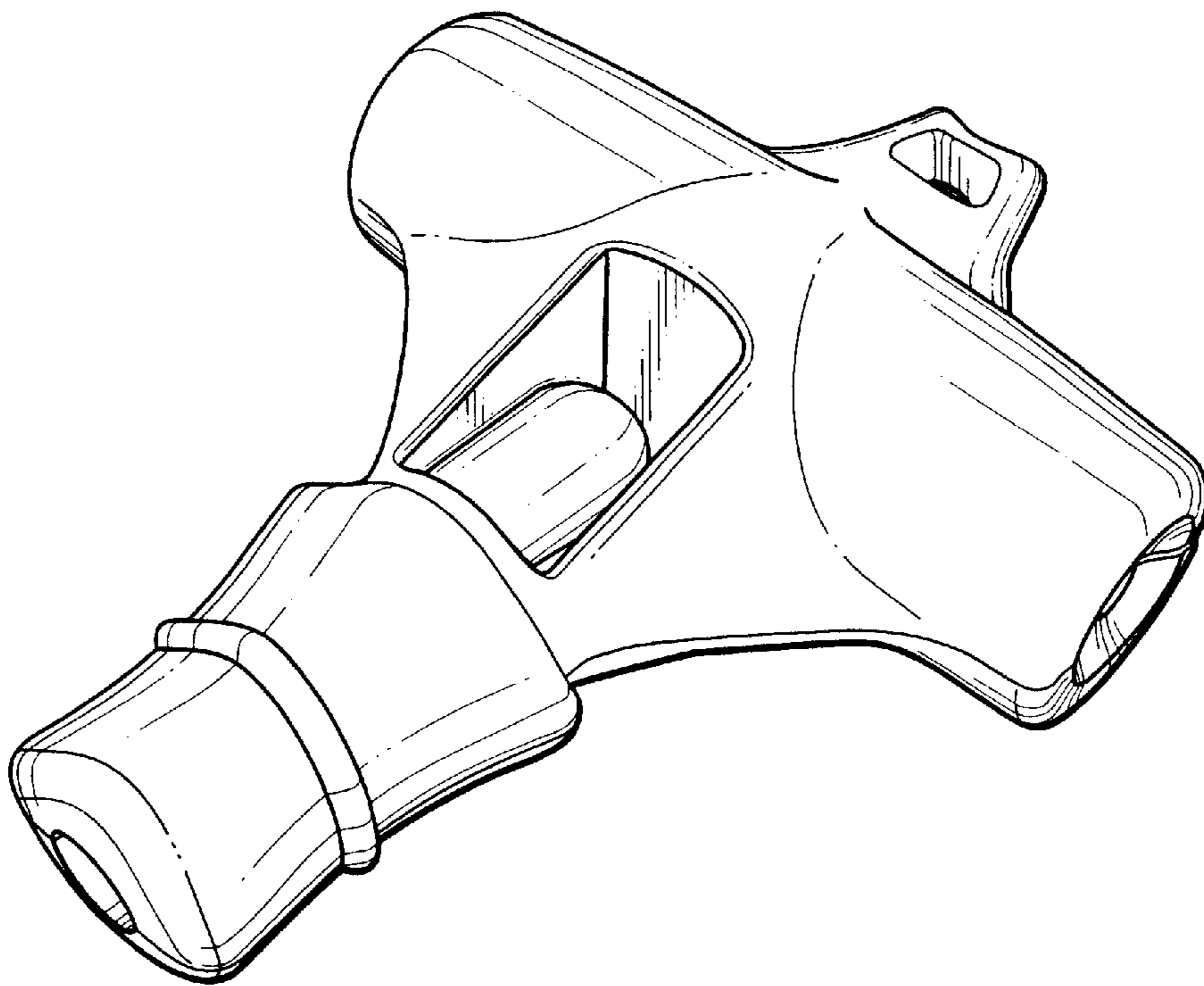


Fig. 2

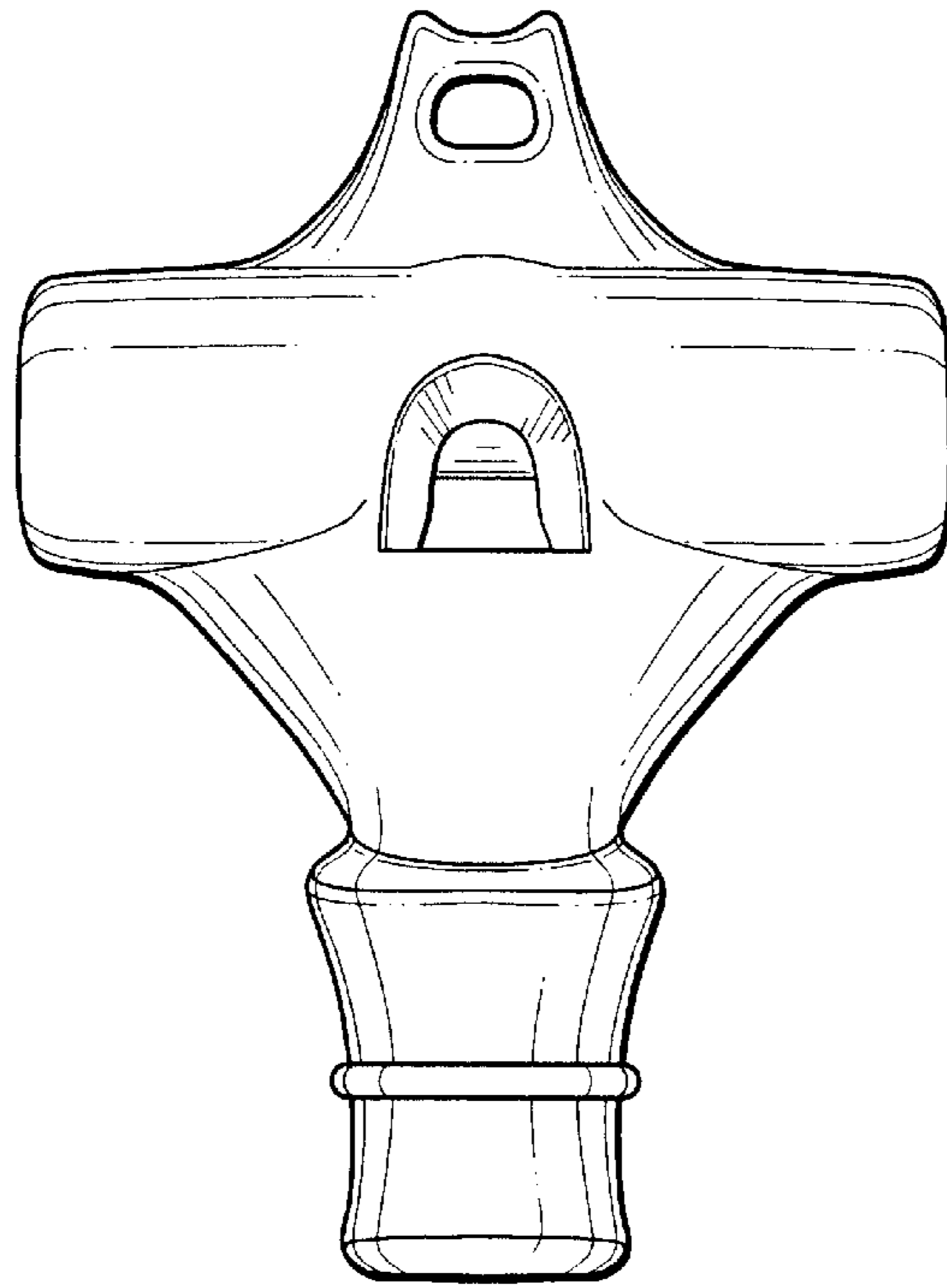


Fig. 3

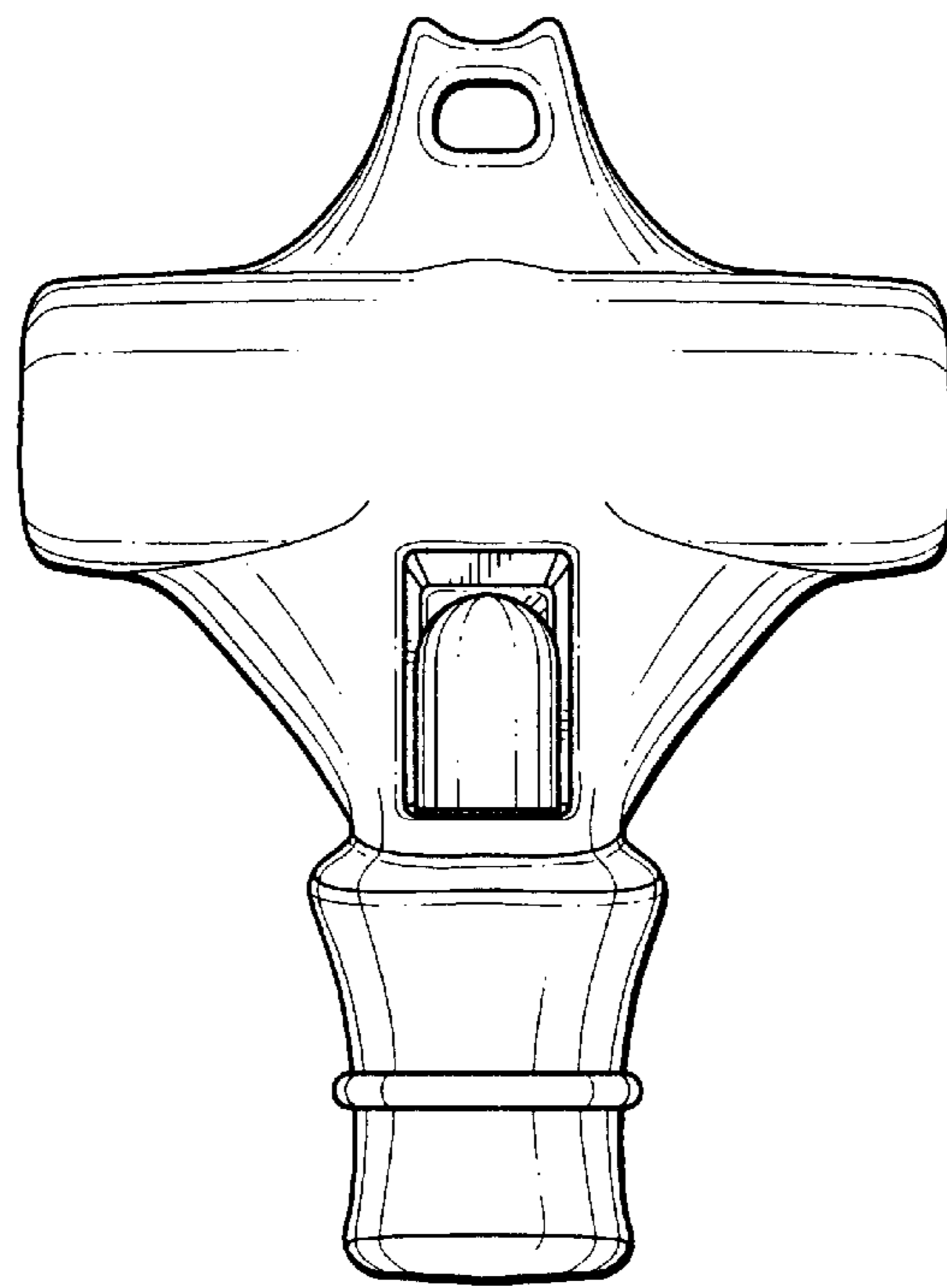


Fig. 4

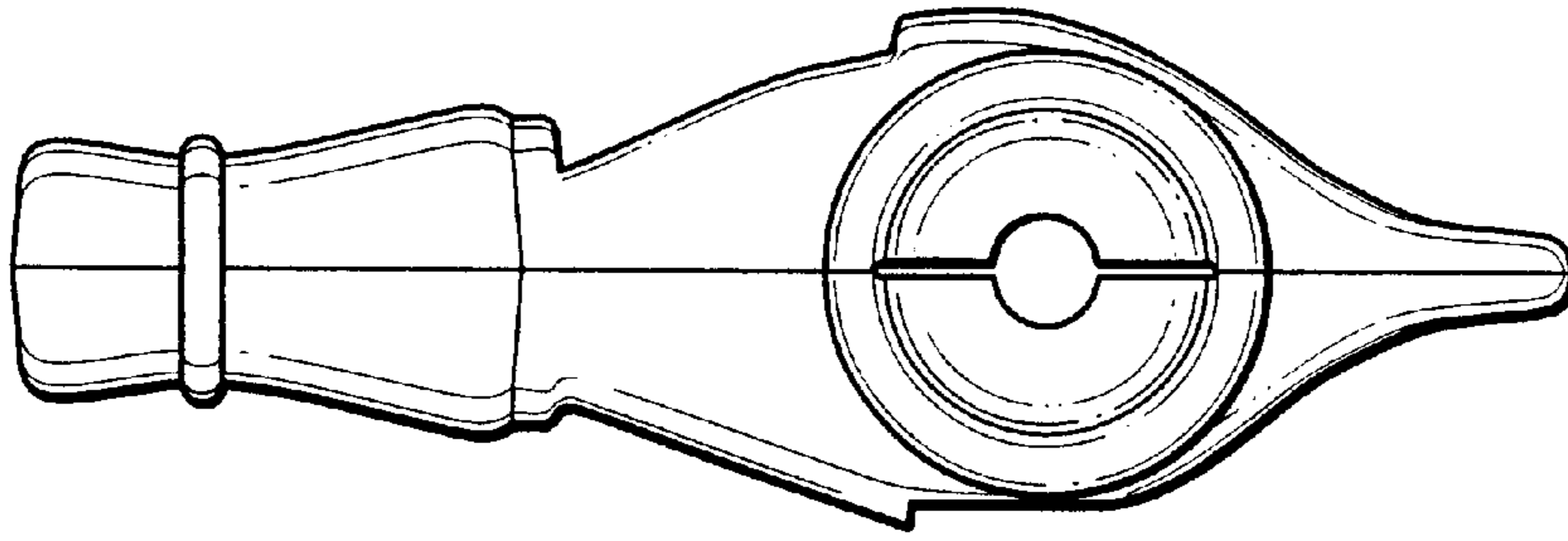


Fig. 5

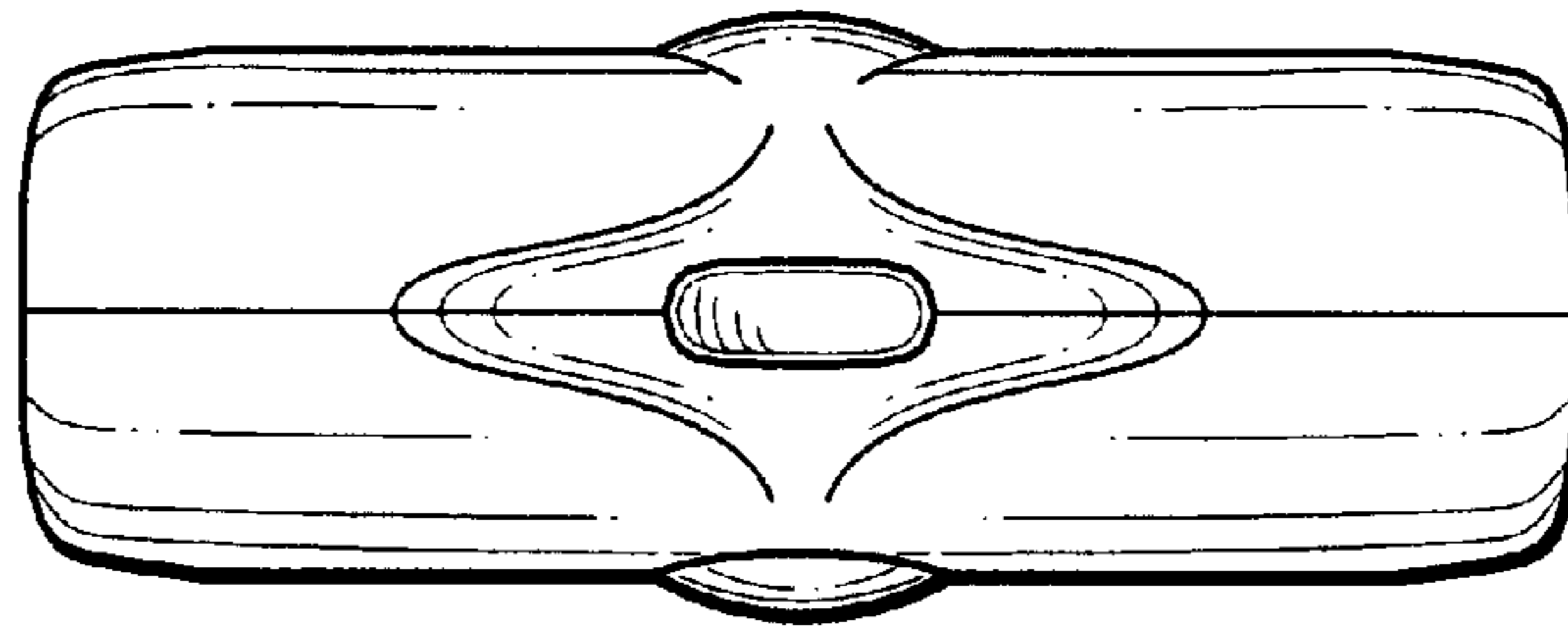


Fig. 6

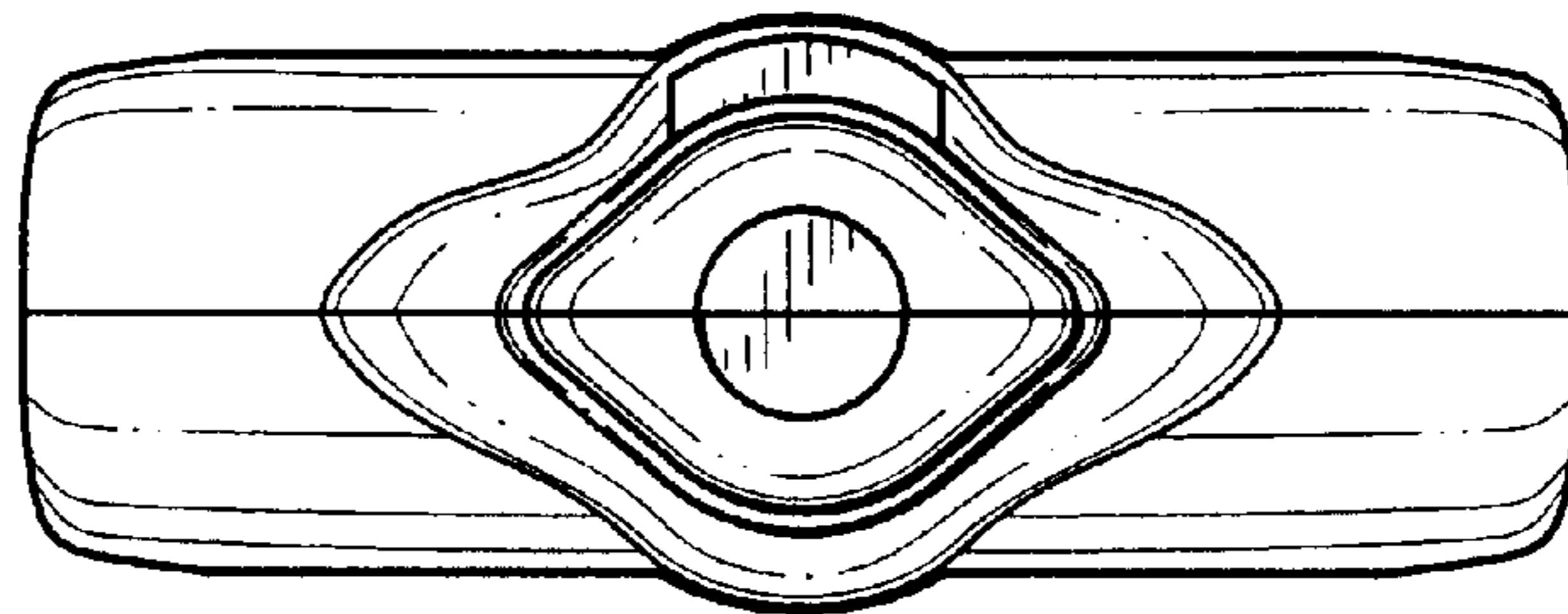


Fig. 7