



US00D486406S

(12) **United States Design Patent** (10) **Patent No.:** **US D486,406 S**  
**Critelli et al.** (45) **Date of Patent:** **\*\* Feb. 10, 2004**

(54) **MEASURING WHEEL WITH HANDLE**

(75) Inventors: **James M. Critelli**, Fuquay-Varina, NC (US); **Yi W. Tang**, Huatan (TW)

(73) Assignee: **Cooper Brands, Inc.**, Houston, TX (US)

(\*\*) Term: **14 Years**

4,532,710 A 8/1985 Kinney et al.  
4,760,647 A 8/1988 Gillis  
5,036,598 A 8/1991 Culling  
5,749,522 A 5/1998 Smrt  
5,884,240 A 3/1999 Edgar et al.  
D437,796 S \* 2/2001 Risi ..... D10/70  
6,249,987 B1 6/2001 Gorfu  
D458,162 S \* 6/2002 Wightman ..... D10/70  
6,550,151 B2 \* 4/2003 Airey et al. .... 33/320

\* cited by examiner

(21) Appl. No.: **29/173,527**

(22) Filed: **Dec. 31, 2002**

(51) **LOC (7) Cl.** ..... **10-04**

(52) **U.S. Cl.** ..... **D10/70**

(58) **Field of Search** ..... D10/70; 33/772, 33/779-782, 775

*Primary Examiner*—Antoine Duval Davis  
(74) *Attorney, Agent, or Firm*—Coats & Bennett, P.L.L.C.

(57) **CLAIM**

The ornamental design for a measuring wheel with handle, as shown and described.

**DESCRIPTION**

FIG. 1 is a perspective view of one embodiment of the measuring wheel with handle in accordance with the present invention.

FIG. 2 is a front view of the embodiment of FIG. 1.

FIG. 3 is a right view of the embodiment of FIG. 1.

FIG. 4 is a back view of the embodiment of FIG. 1.

FIG. 5 is a left view of the embodiment of FIG. 1.

FIG. 6 is a top view of the embodiment of FIG. 1; and,

FIG. 7 is a bottom view of the embodiment of FIG. 1.

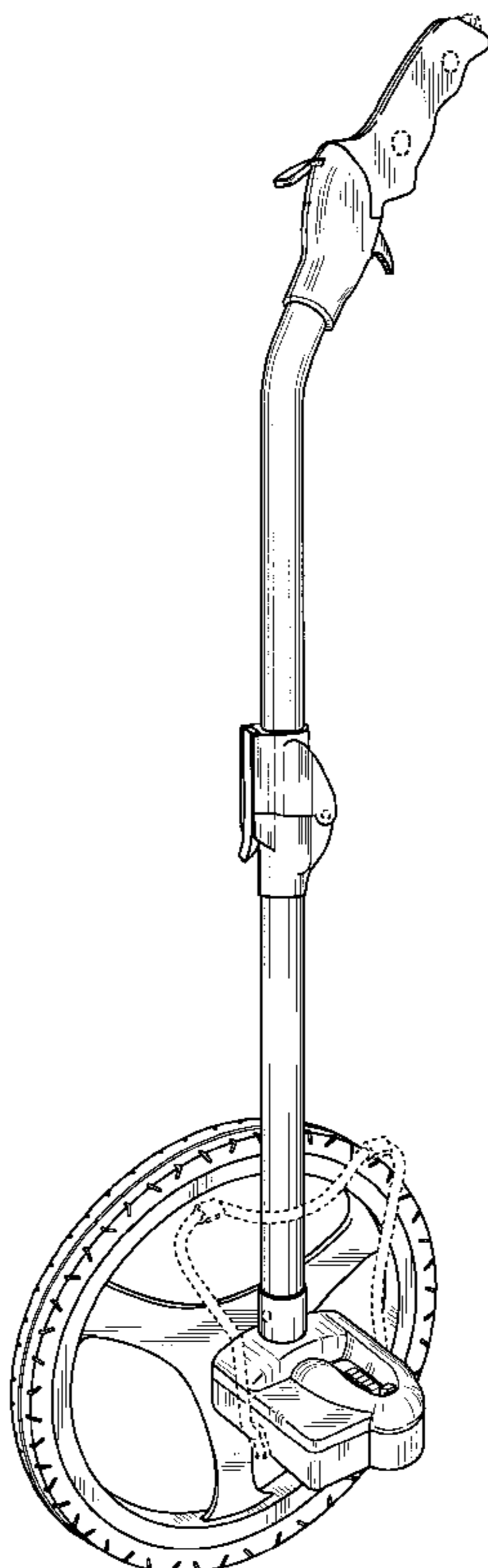
Throughout the Figures, aspects shown in broken lines are not considered a portion of the claimed ornamental design.

(56) **References Cited**

**U.S. PATENT DOCUMENTS**

- 2,614,330 A 10/1952 Cederholm
- 2,741,031 A 4/1956 Martin, Jr. et al.
- 3,616,541 A 11/1971 Crayton
- 3,673,693 A 7/1972 Evans, Jr.
- 3,696,510 A 10/1972 Evans, Jr.
- 3,791,038 A 2/1974 Polydoris et al.
- 3,835,543 A 9/1974 Polydoris et al.
- 3,921,301 A 11/1975 Tuley
- 3,922,793 A 12/1975 Gandrud
- 4,044,471 A 8/1977 Peterson
- 4,176,458 A 12/1979 Dunn
- 4,308,665 A 1/1982 Losch

**1 Claim, 4 Drawing Sheets**



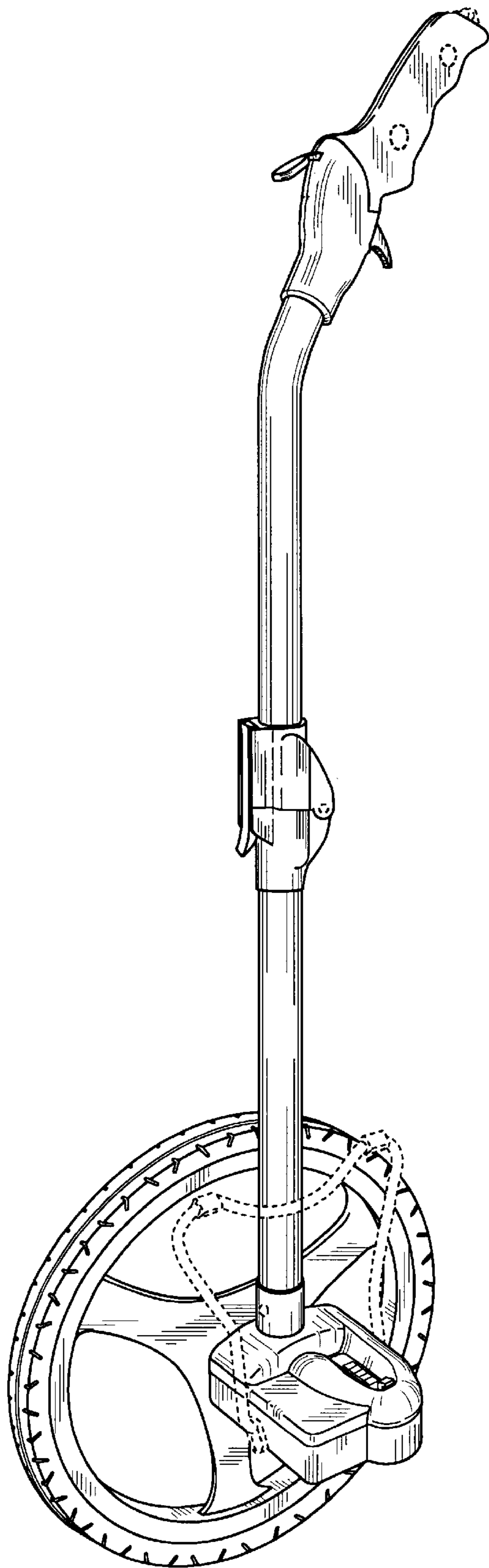


FIG. 1

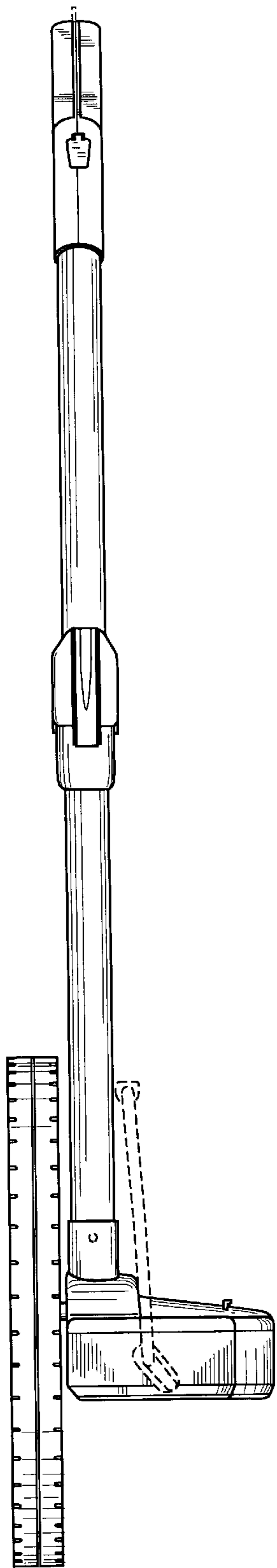


FIG. 2

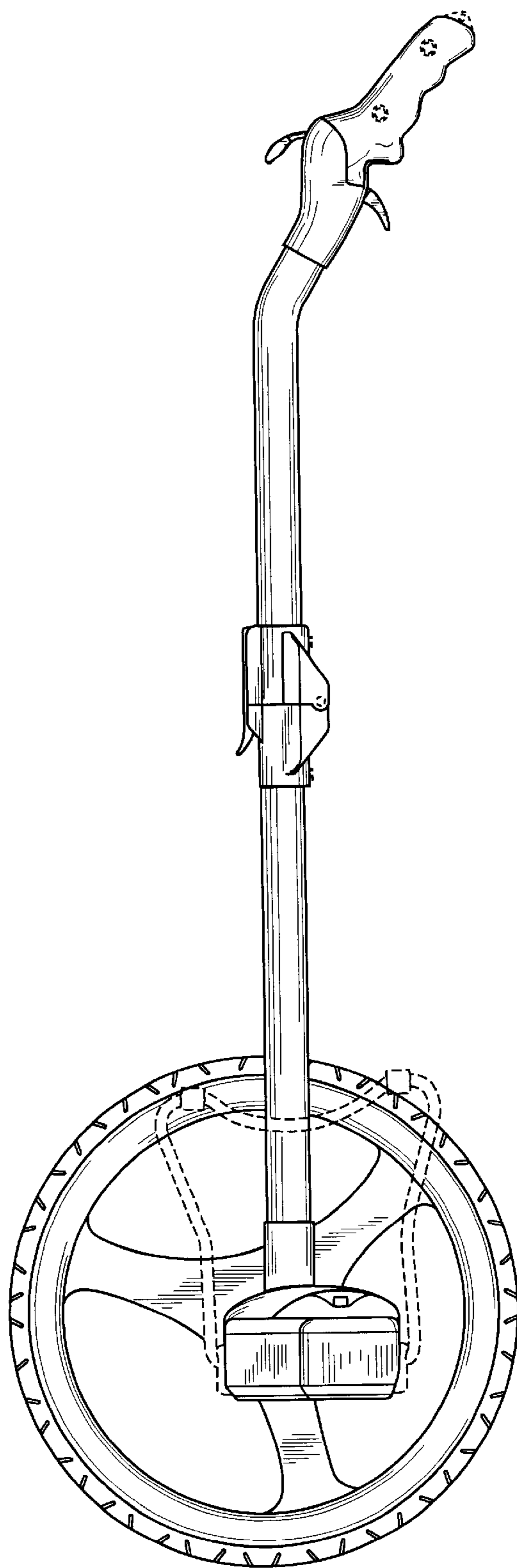


FIG. 3

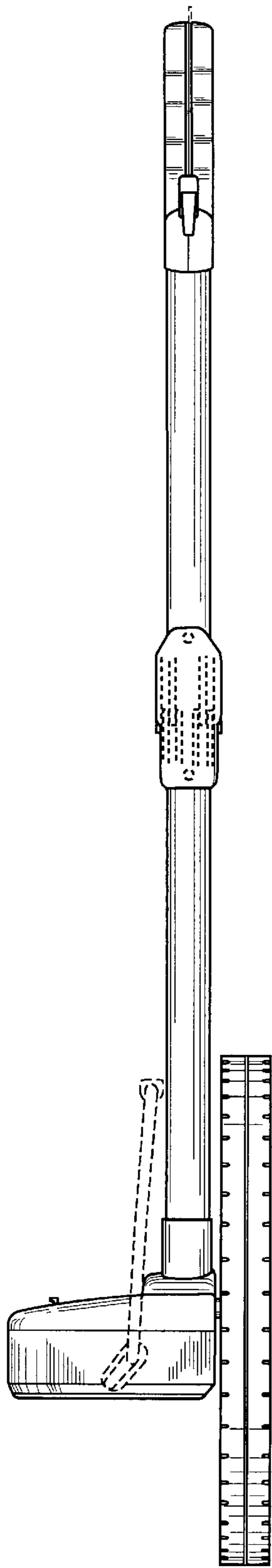


FIG. 4

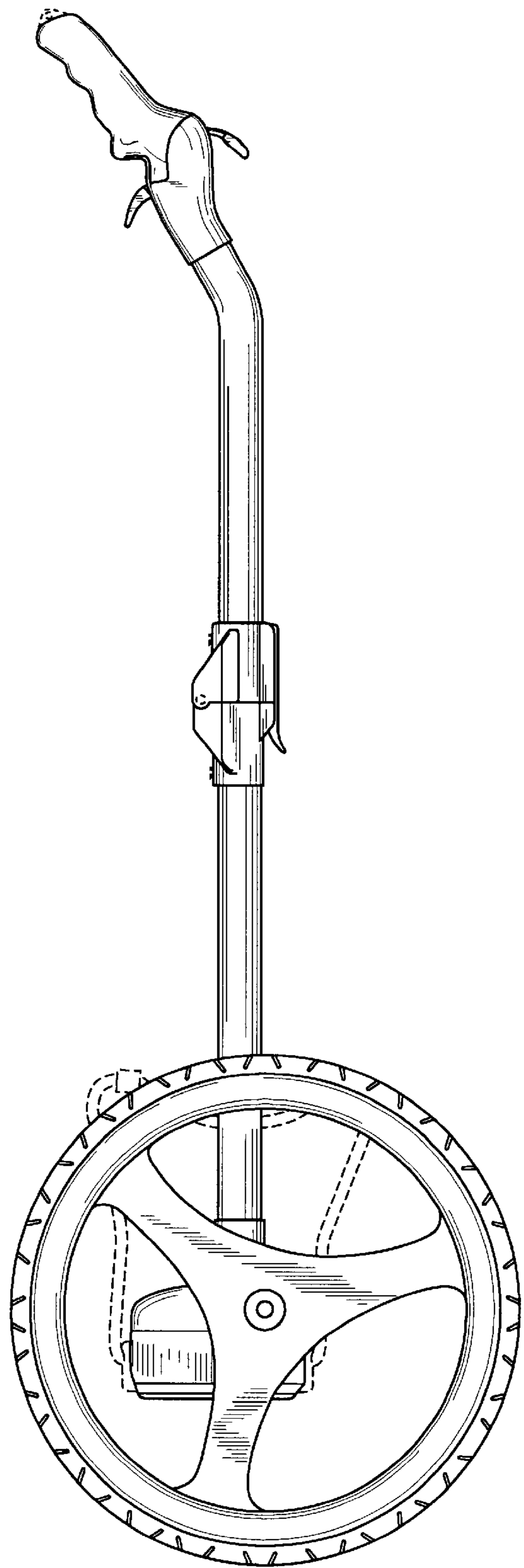


FIG. 5

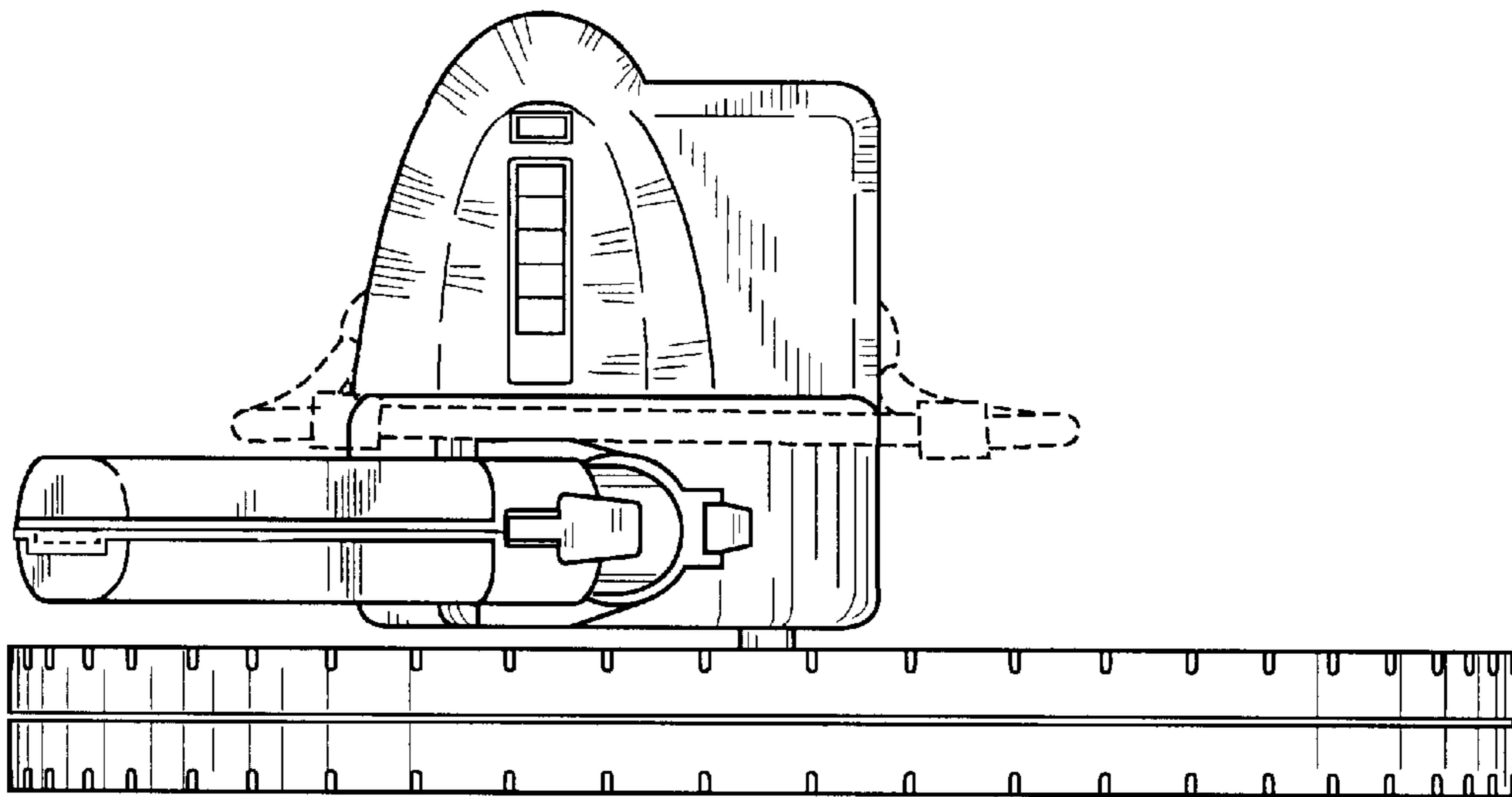


FIG. 6

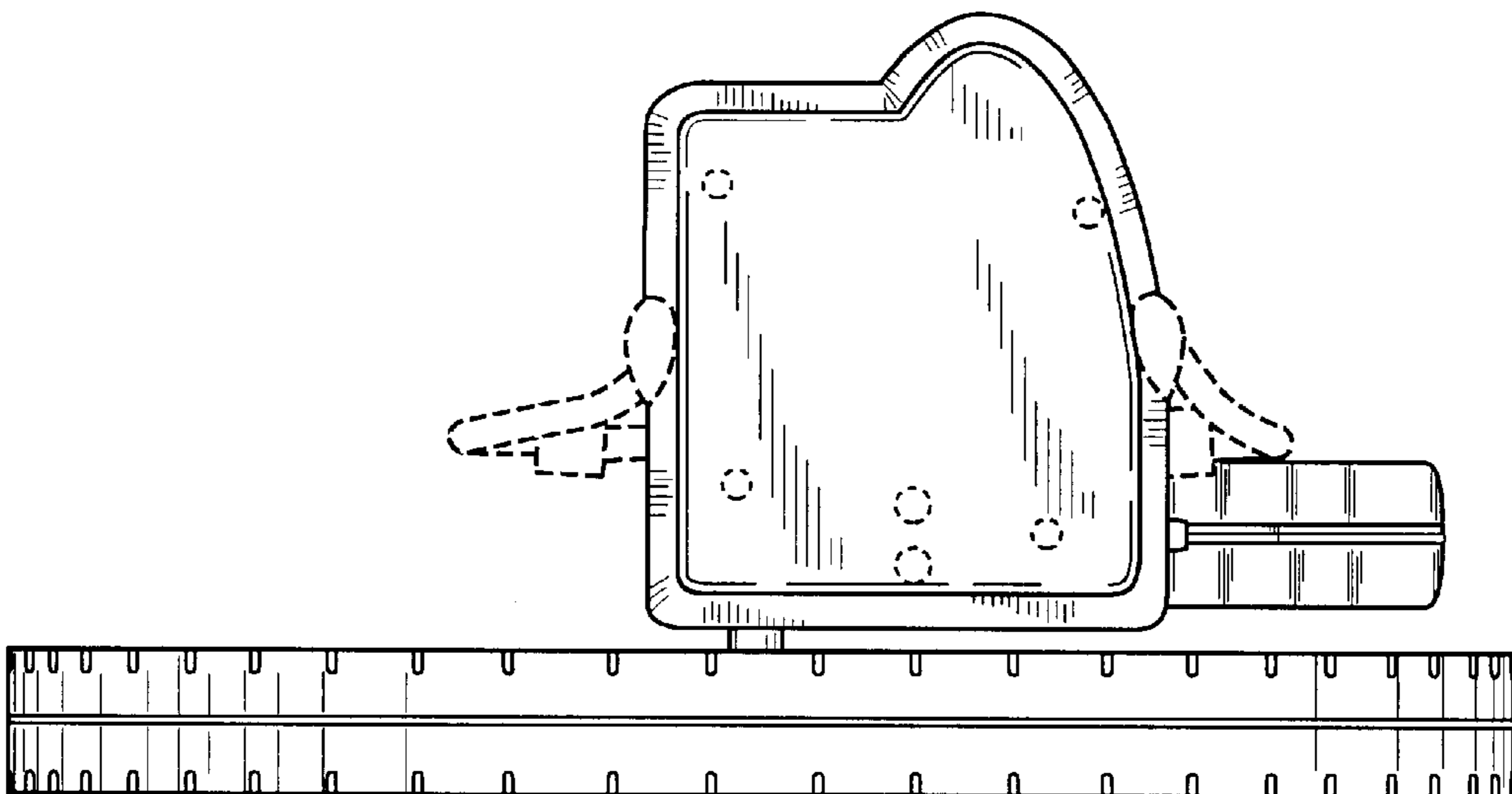


FIG. 7