



US00D486393S

(12) **United States Design Patent**  
**Chuang**

(10) **Patent No.:** **US D486,393 S**

(45) **Date of Patent:** **\*\* Feb. 10, 2004**

(54) **CONTAINER**

(76) **Inventor:** **Kai Win Chuang**, 2095 S. Leo Ave.,  
Commerce, CA (US) 90040

(\*\*) **Term:** **14 Years**

(21) **Appl. No.:** **29/168,463**

(22) **Filed:** **Oct. 3, 2002**

(51) **LOC (7) Cl.** ..... **09-01**

(52) **U.S. Cl.** ..... **D9/503**

(58) **Field of Search** ..... D7/615; D9/500-504,  
D9/506-509, 513, 515, 516, 519, 545, 549,  
556, 557; D28/73, 76-77; 215/379-383,  
400; 200/796, 890

(56) **References Cited**

**U.S. PATENT DOCUMENTS**

2,147,263 A \* 2/1939 Mills ..... D7/615  
3,265,238 A \* 8/1966 Bernhardt et al. .... 220/796  
D269,765 S \* 7/1983 Fortuna ..... D9/556

D272,804 S \* 2/1984 Braun ..... D9/504  
D282,630 S \* 2/1986 Braun ..... D9/504  
D400,787 S \* 11/1998 Keener ..... D9/337  
D443,797 S \* 6/2001 Verbeek ..... D7/615  
D445,032 S \* 7/2001 Hammer ..... D9/504

\* cited by examiner

*Primary Examiner*—Sandra L. Morris

(74) *Attorney, Agent, or Firm*—Raymond Y. Chan; David  
and Raymond Patent Group

(57) **CLAIM**

The ornamental design for a container, as shown.

**DESCRIPTION**

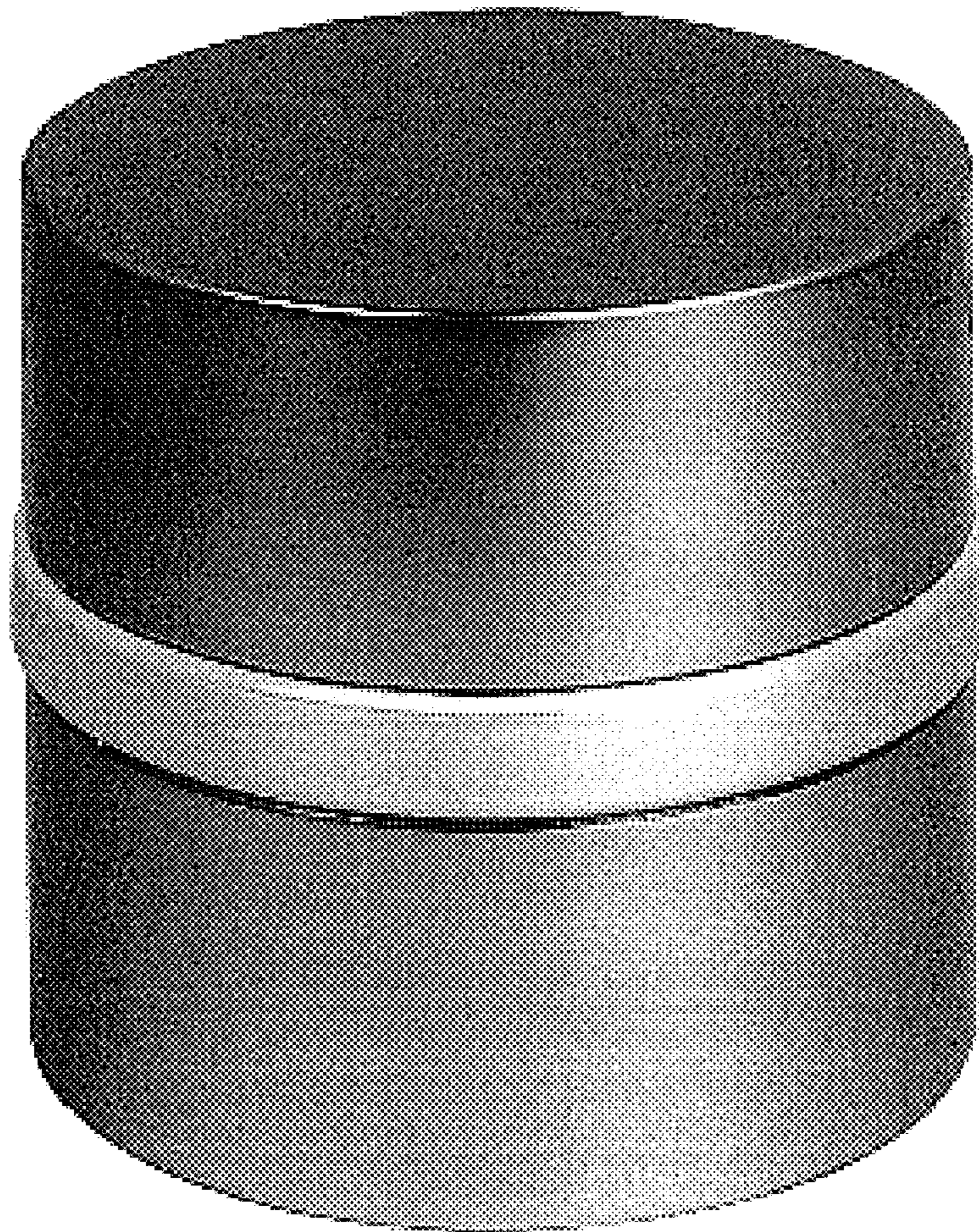
FIG. 1 is a perspective view showing my new design.

FIG. 2 illustrates a front view, back view, left side view, and  
right side view.

FIG. 3 is a top view thereof; and,

FIG. 4 is a bottom view thereof.

**1 Claim, 2 Drawing Sheets**



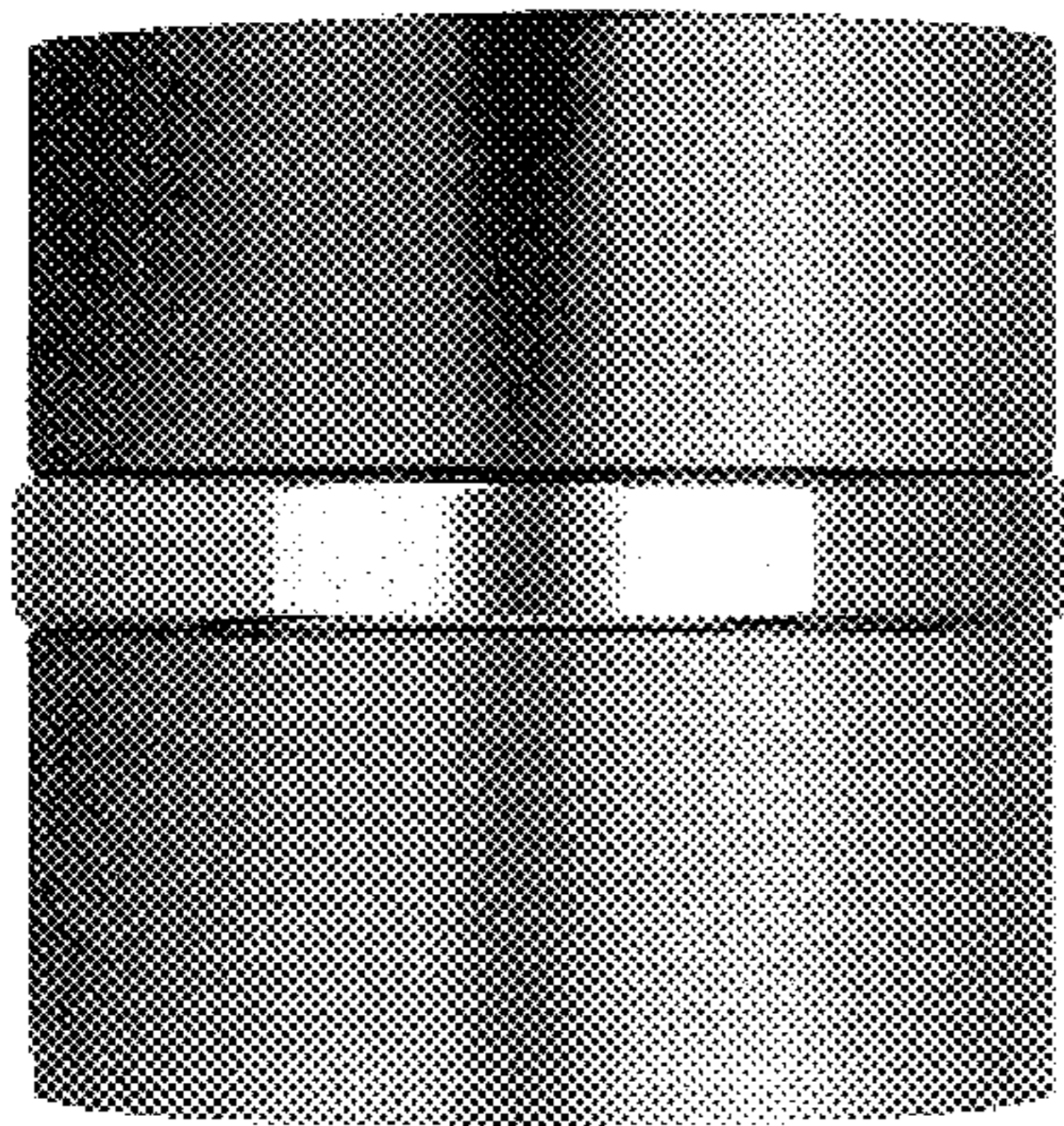


FIG. 2

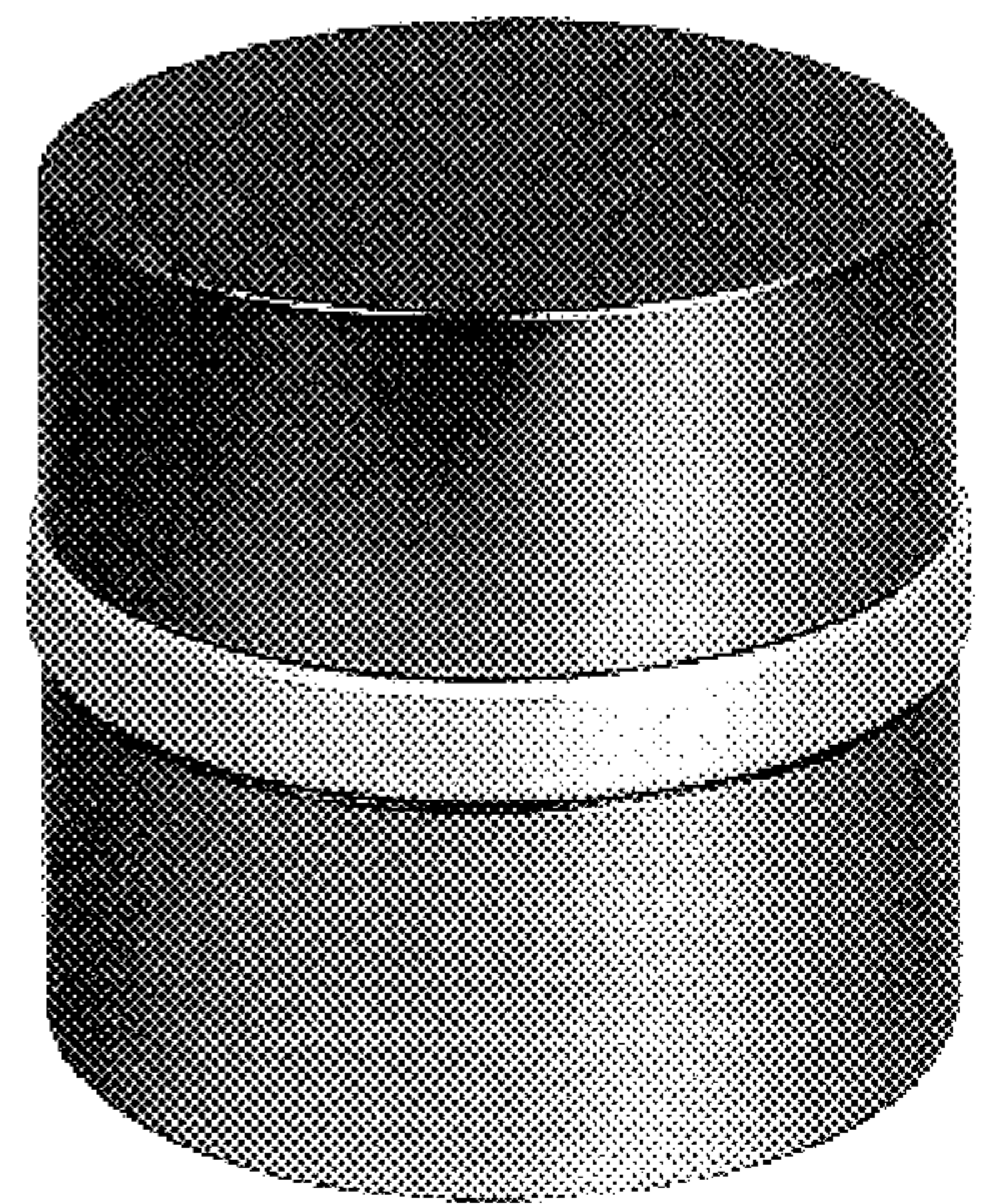


FIG. 1

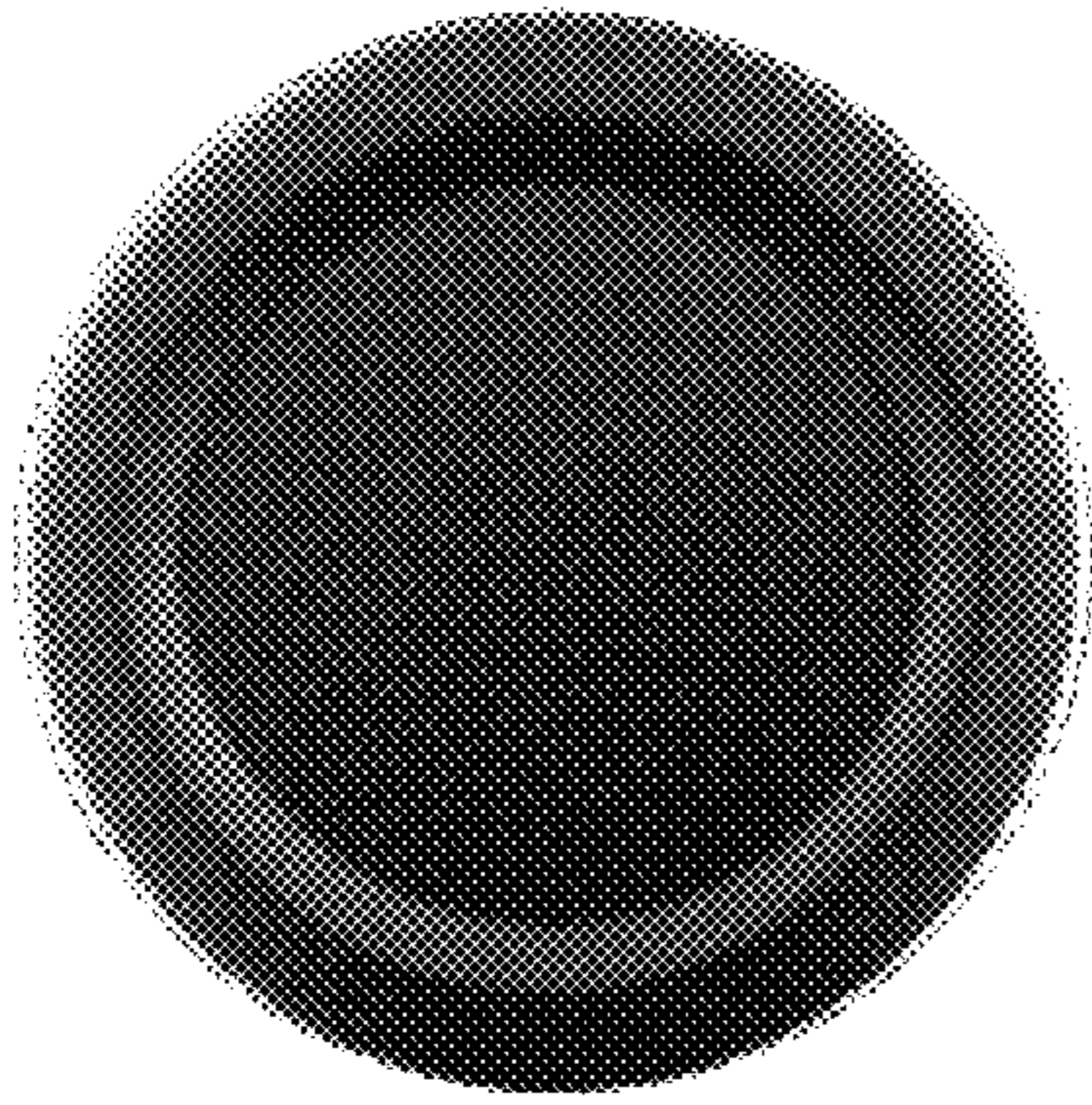


FIG. 4

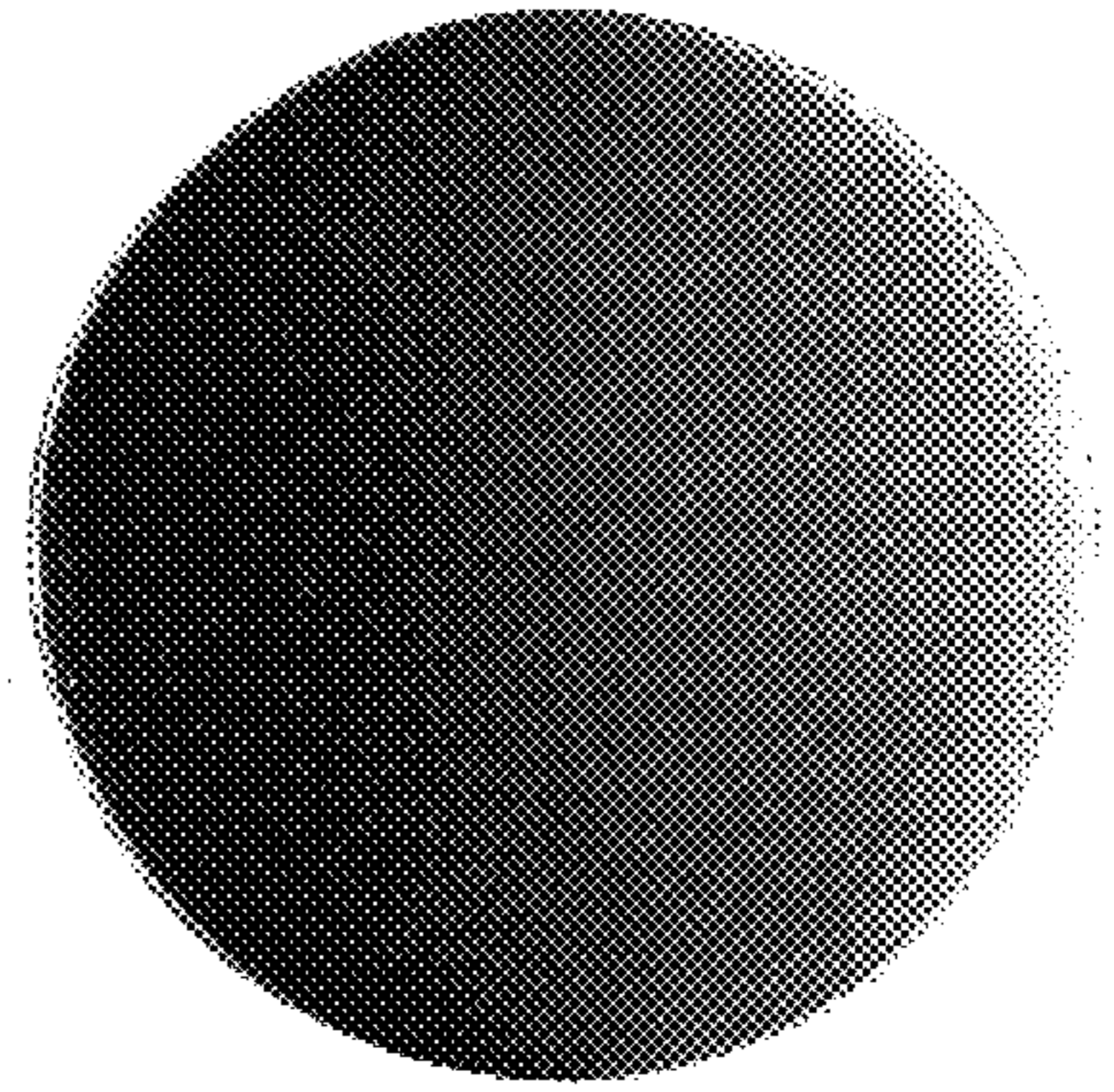


FIG. 3