



US00D486383S

(12) **United States Design Patent**
Fahy et al.

(10) **Patent No.:** **US D486,383 S**

(45) **Date of Patent:** **** Feb. 10, 2004**

(54) **CAR FINIAL**

(75) Inventors: **David Fahy**, San Diego, CA (US);
Poho Shyu, San Diego, CA (US);
Brian Graves, San Diego, CA (US)

(73) Assignee: **BEME International, LLC**, San Diego, CA (US)

(**) Term: **14 Years**

(21) Appl. No.: **29/179,183**

(22) Filed: **Apr. 4, 2003**

(51) **LOC (7) Cl.** **08-05**

(52) **U.S. Cl.** **D8/378**

(58) **Field of Search** D8/378; D11/99,
D11/81, 133; D21/433, 548; 428/28

(56) **References Cited**

U.S. PATENT DOCUMENTS

D282,476 S	*	2/1986	Arigaya	D21/548
D282,675 S	*	2/1986	Arigaya	D21/548
D428,076 S	*	7/2000	Wise et al.	D21/548
D447,191 S	*	8/2001	Hoelzel et al.	D21/433

* cited by examiner

Primary Examiner—Holly Baynham
(74) *Attorney, Agent, or Firm*—Sachnoff & Weaver, Ltd;
Loletta L. Darden

(57) **CLAIM**

The ornamental design for a car finial, as shown.

DESCRIPTION

FIG. 1 is a perspective view of a car finial;
FIG. 2 is a top elevated view of the car finial shown in FIG. 1;
FIG. 3 is a left elevated view of the car finial shown in FIG. 1;
FIG. 4 is a bottom elevated view of the car finial shown in FIG. 1;
FIG. 5 is a front elevated view of the car finial shown in FIG. 1;
FIG. 6 is a rear elevated view of the car finial shown in FIG. 1; and,
FIG. 7 is a right elevated view of the car finial shown in FIG. 1.

1 Claim, 1 Drawing Sheet

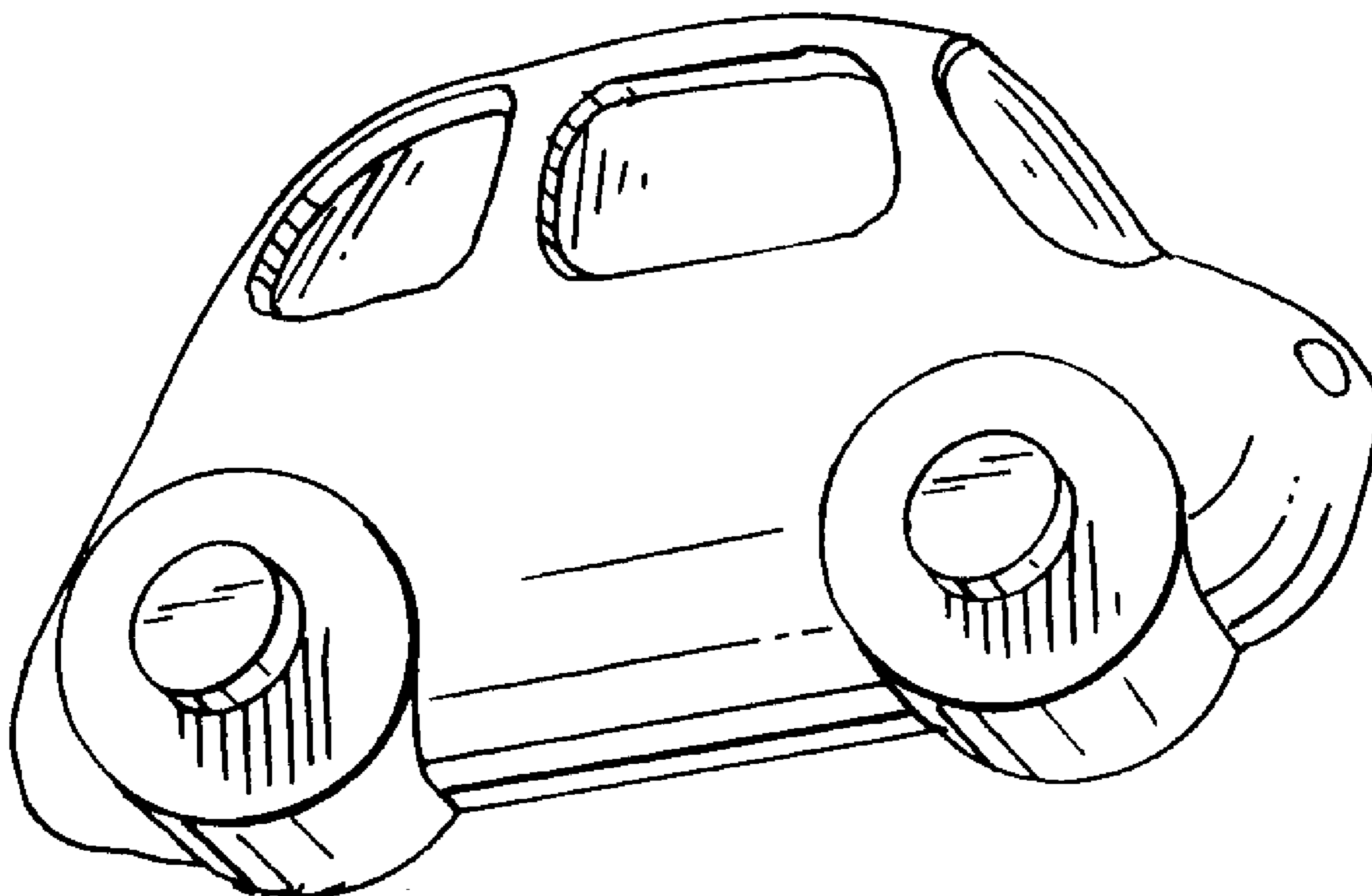


FIG. 1

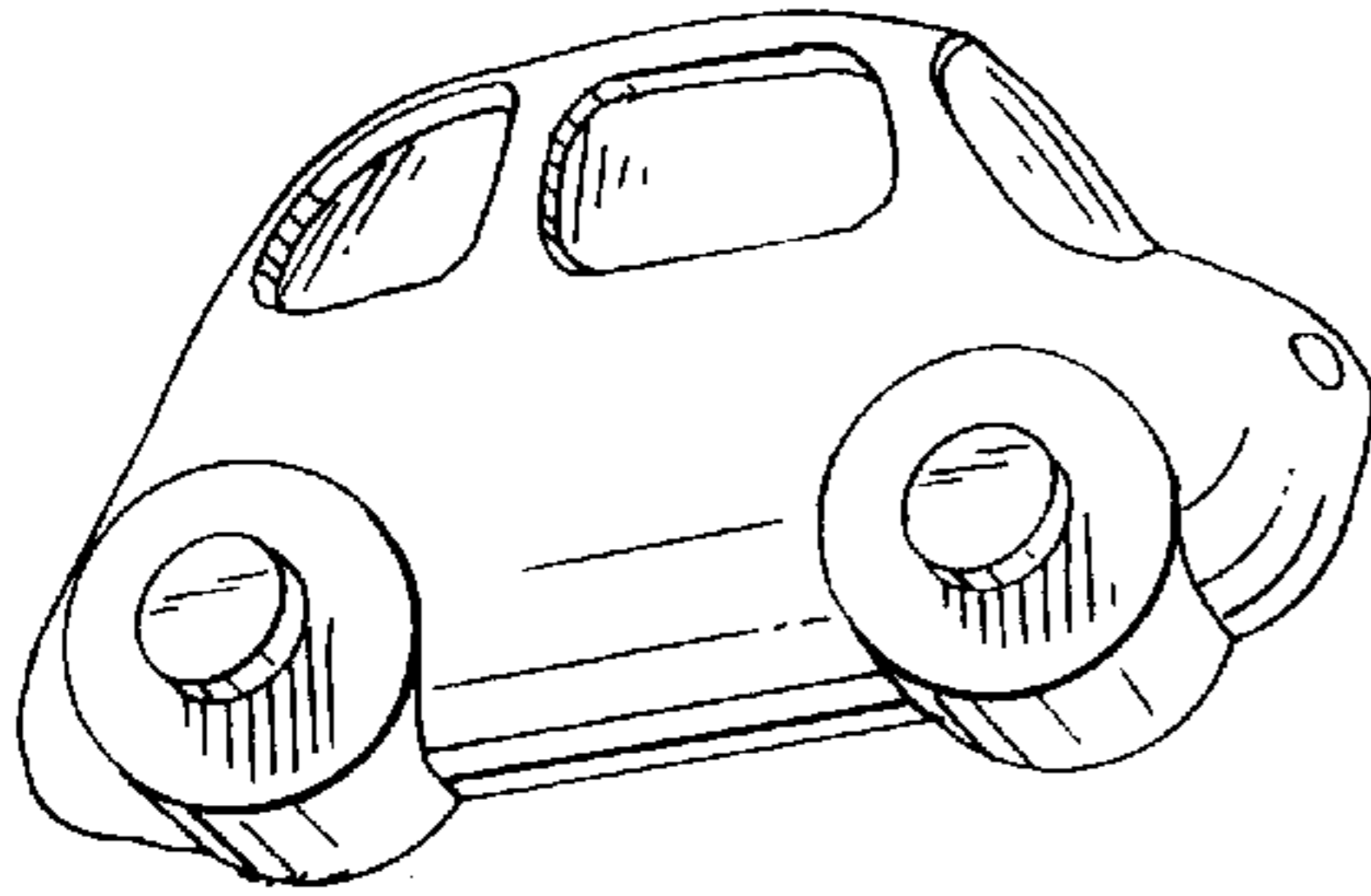


FIG. 2

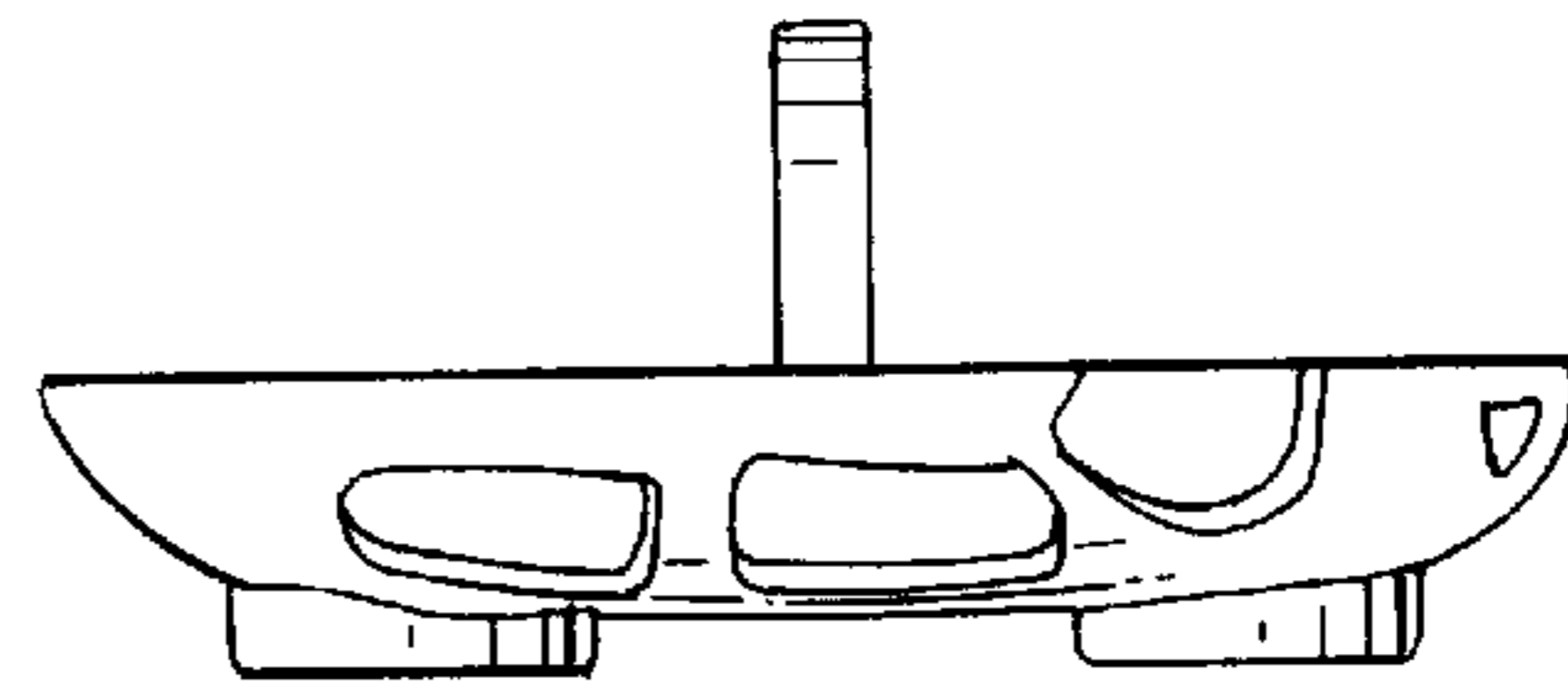


FIG. 3

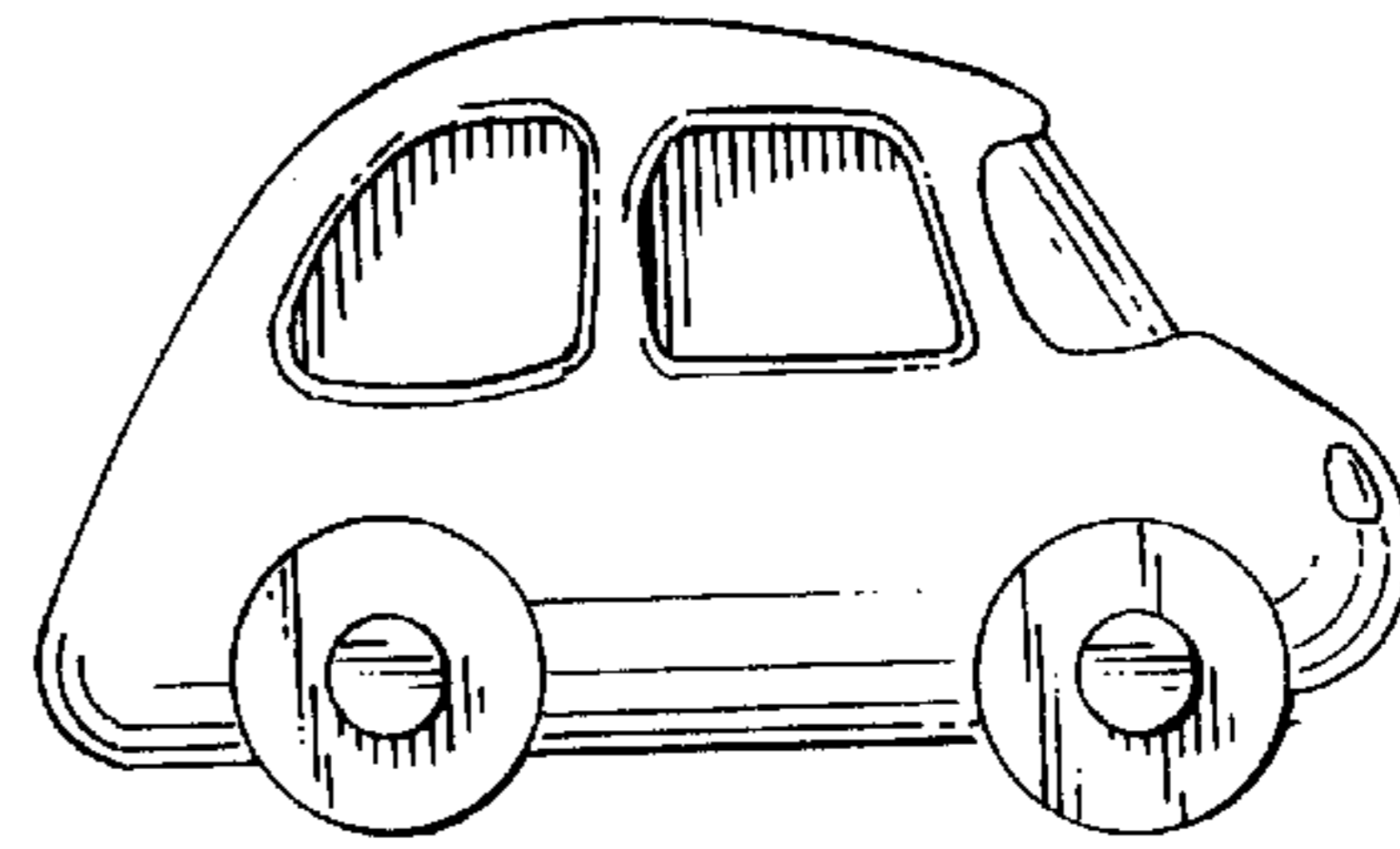


FIG. 5

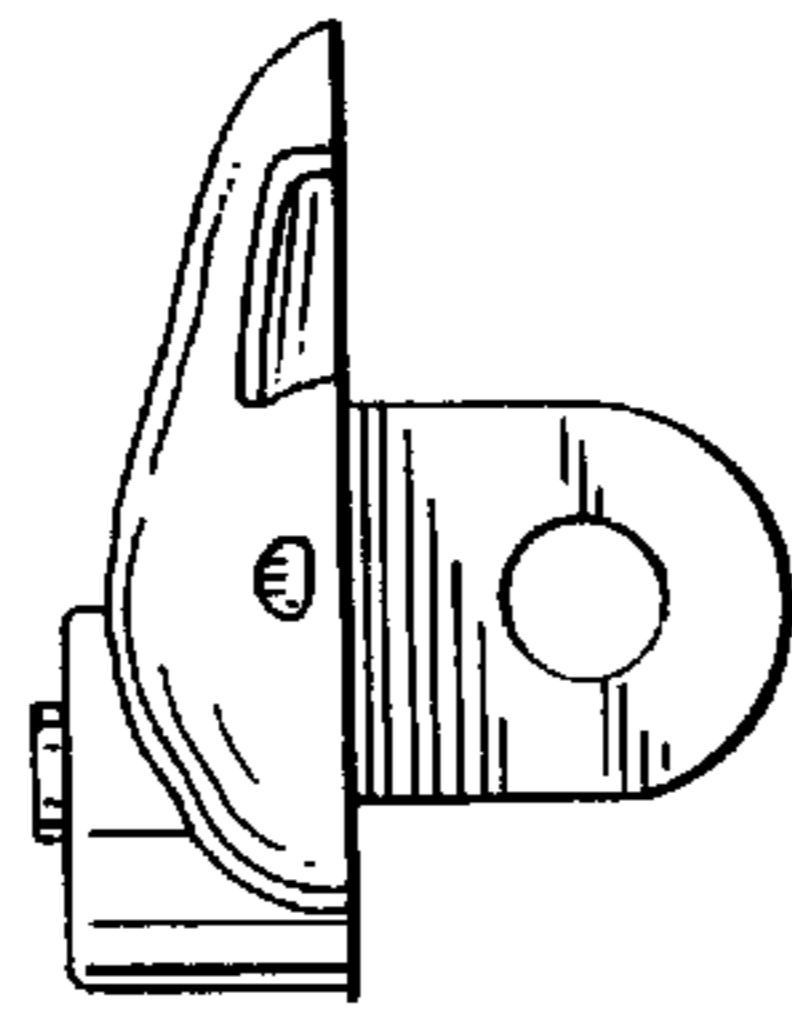


FIG. 4

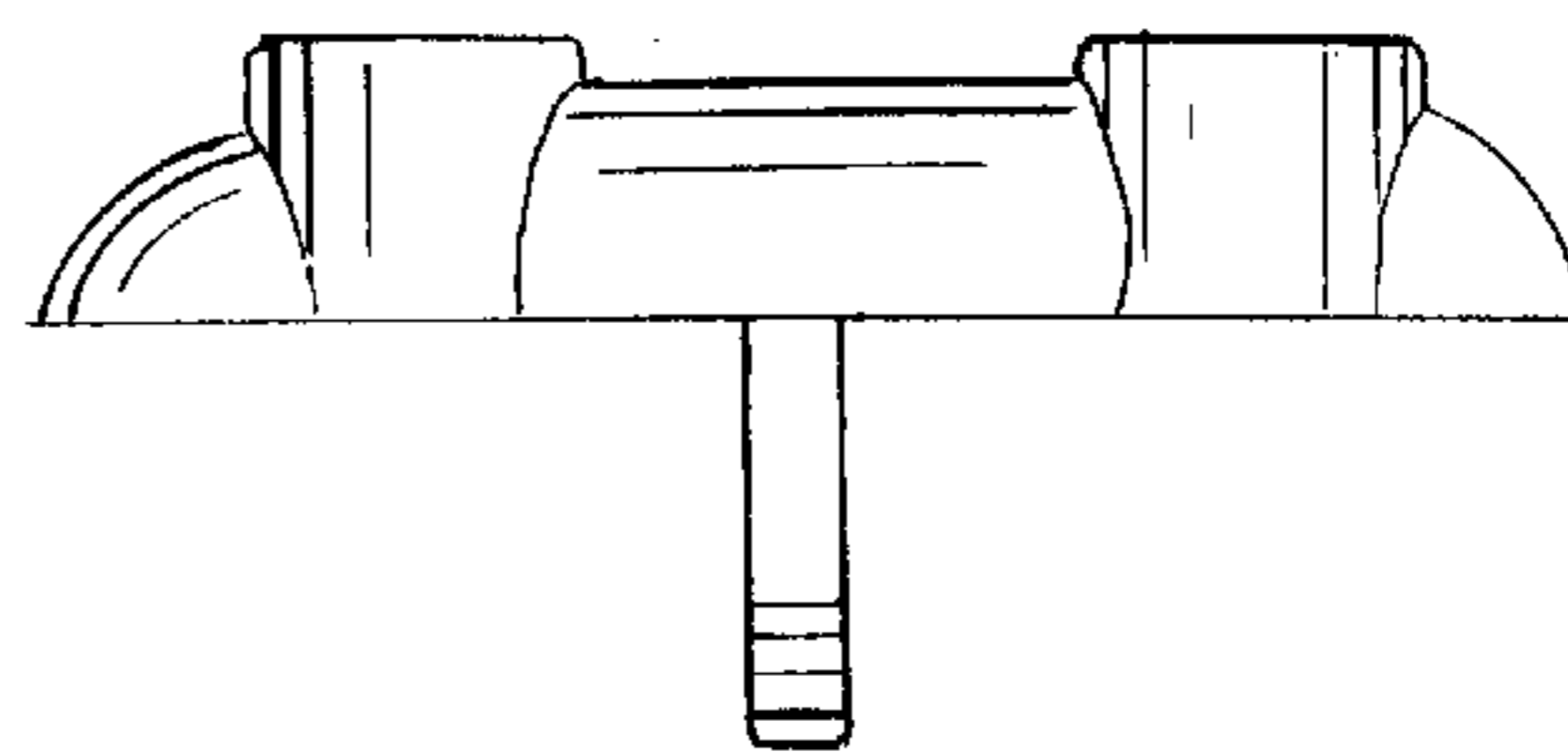


FIG. 6

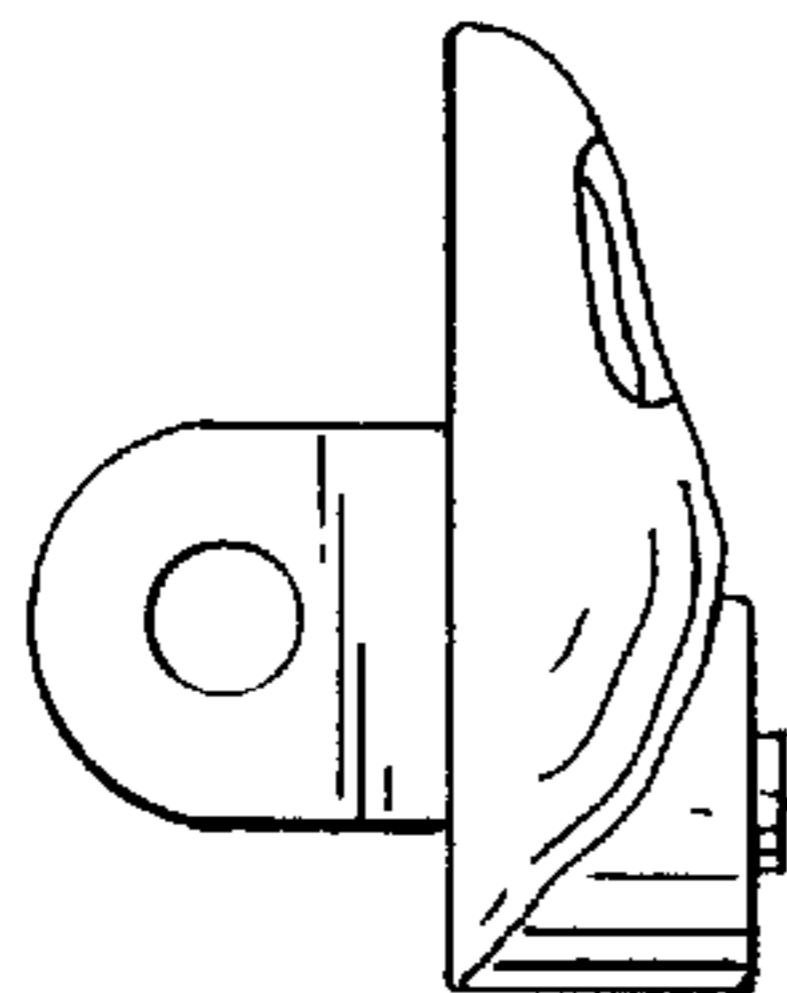


FIG. 7

