



US00D486382S

(12) **United States Design Patent**
Sedgwick et al.

(10) **Patent No.:** **US D486,382 S**

(45) **Date of Patent:** **** Feb. 10, 2004**

(54) **ADJUSTABLE HEIGHT CASTER**
(75) Inventors: **Robin S. Sedgwick**, Hartland, WI (US);
Brian A. Hanson, Theresa, WI (US)
(73) Assignee: **E. R. Wagner Manufacturing**
Company, Milwaukee, WI (US)

5,802,668 A 9/1998 Gosselin
D409,477 S * 5/1999 Royster D8/375
D448,278 S * 9/2001 Chi D8/375
6,367,885 B1 4/2002 Denner et al.
D457,810 S * 5/2002 Chi D8/375
6,422,656 B2 7/2002 Denner et al.

(**) Term: **14 Years**

* cited by examiner

(21) Appl. No.: **29/172,146**

Primary Examiner—Holly Baynham
(74) *Attorney, Agent, or Firm*—Michael Best & Friedrich
LLP

(22) Filed: **Dec. 6, 2002**

(57) **CLAIM**

(51) **LOC (7) Cl.** **08-05**

(52) **U.S. Cl.** **D8/375**

(58) **Field of Search** D8/375; 16/35 R,
16/45, 47, 18 CG, 18 A

We claim the ornamental design for an adjustable height
caster, as shown and described.

DESCRIPTION

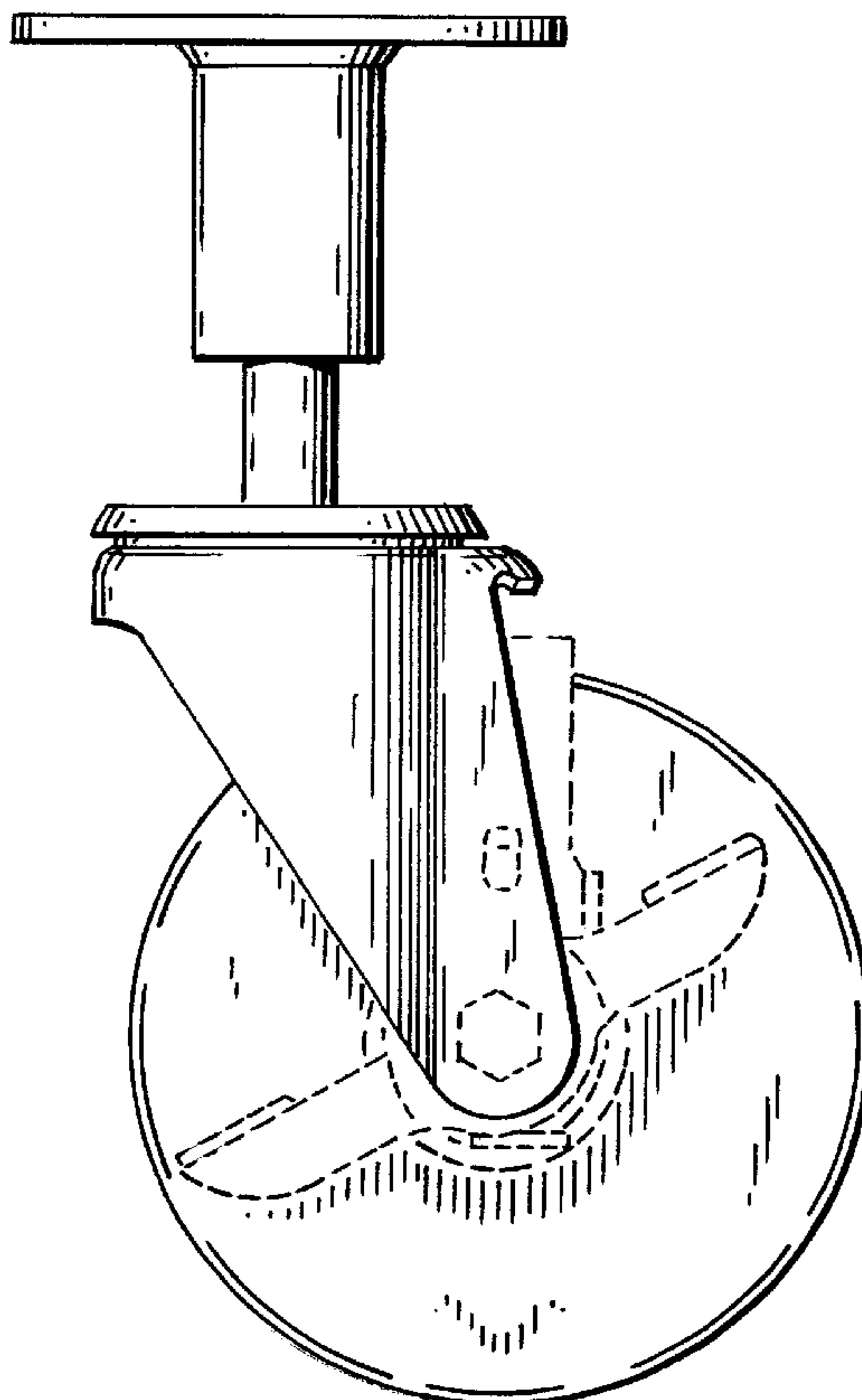
(56) **References Cited**

U.S. PATENT DOCUMENTS

664,798 A	12/1900	Weidman
803,682 A	11/1905	Fishburne
804,809 A	11/1905	Graham
1,175,885 A	3/1916	Grabler
1,185,886 A	6/1916	Doherty
1,229,831 A	6/1917	Von Der Lin
1,271,559 A	7/1918	Feebusch et al.
4,588,096 A	5/1986	Story et al.
D334,136 S	3/1993	McCord et al.

FIG. 1 is a left side view of an adjustable height
caster. FIG. 2 is a front view of the design shown in FIG. 1.
FIG. 3 is a right side view of the design shown in FIG. 1;
and,
FIG. 4 is a rear view of the design shown in FIG. 1.
The broken line showing of elements of a caster are for
illustrative purposes only and form no part of the claimed
design.
The undisclosed top and bottom views are not part of the
claimed design.

1 Claim, 2 Drawing Sheets



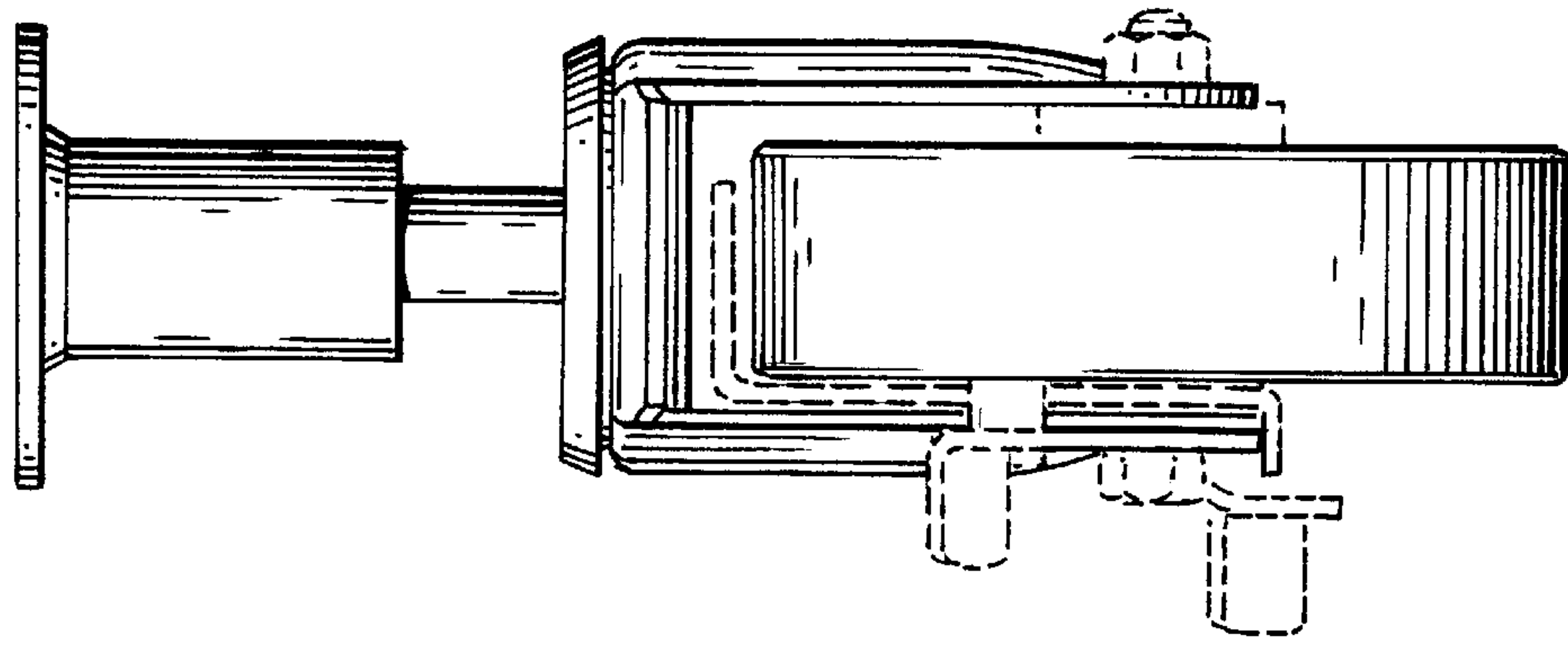


Fig. 2

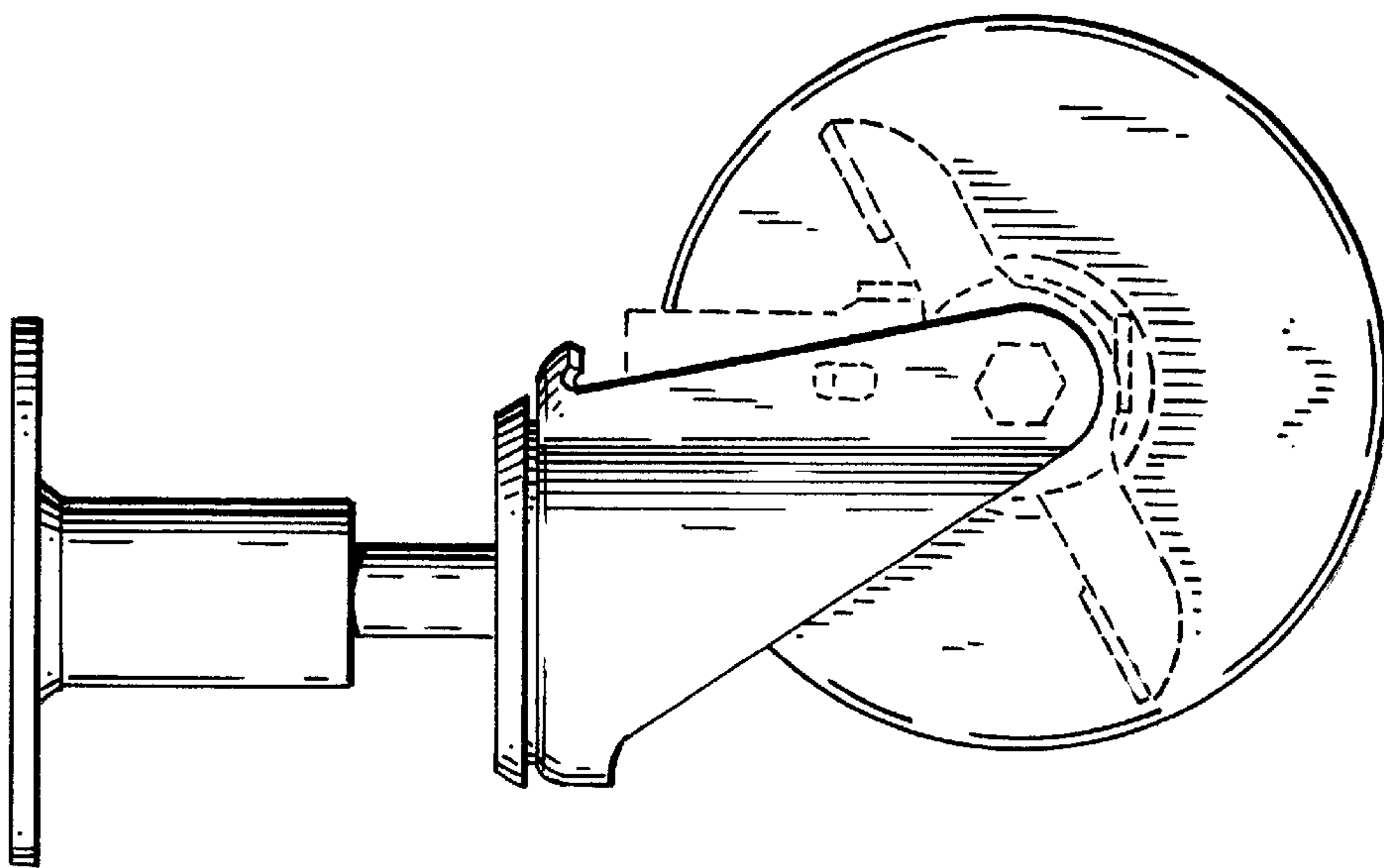


Fig. 1

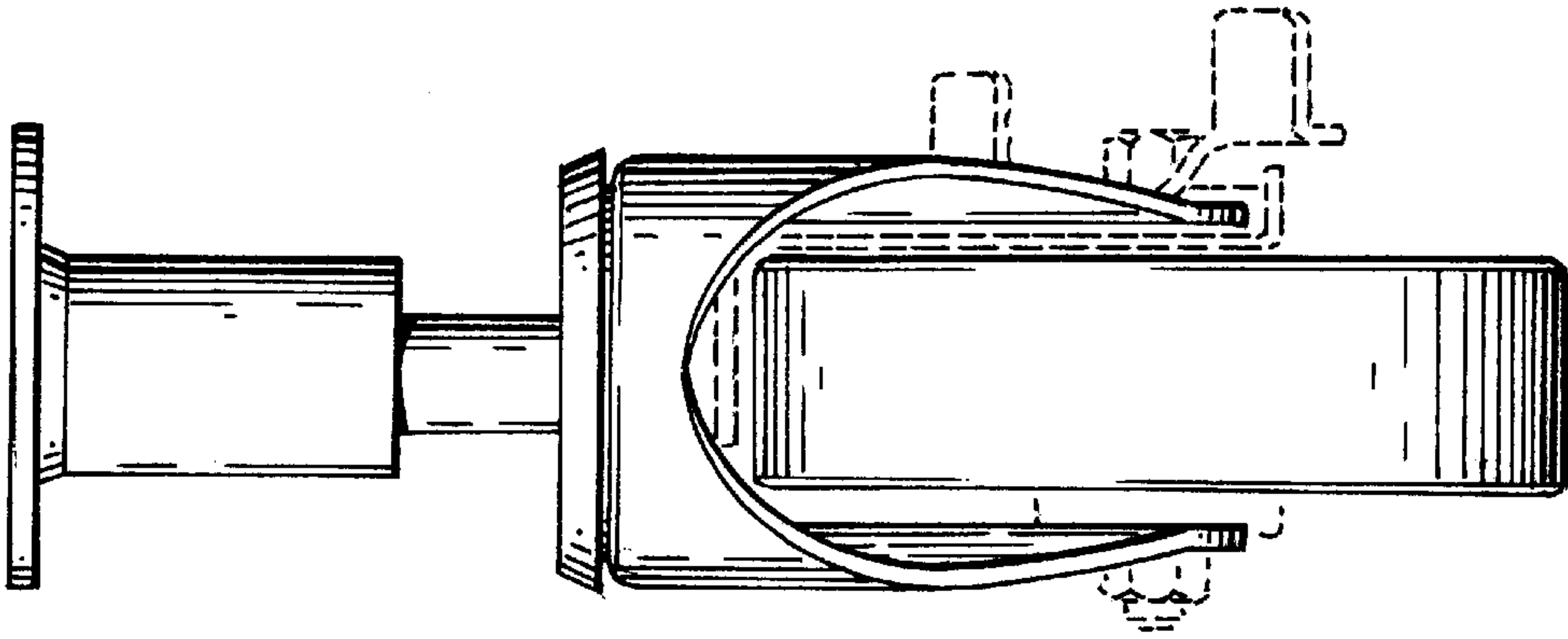


Fig. 4

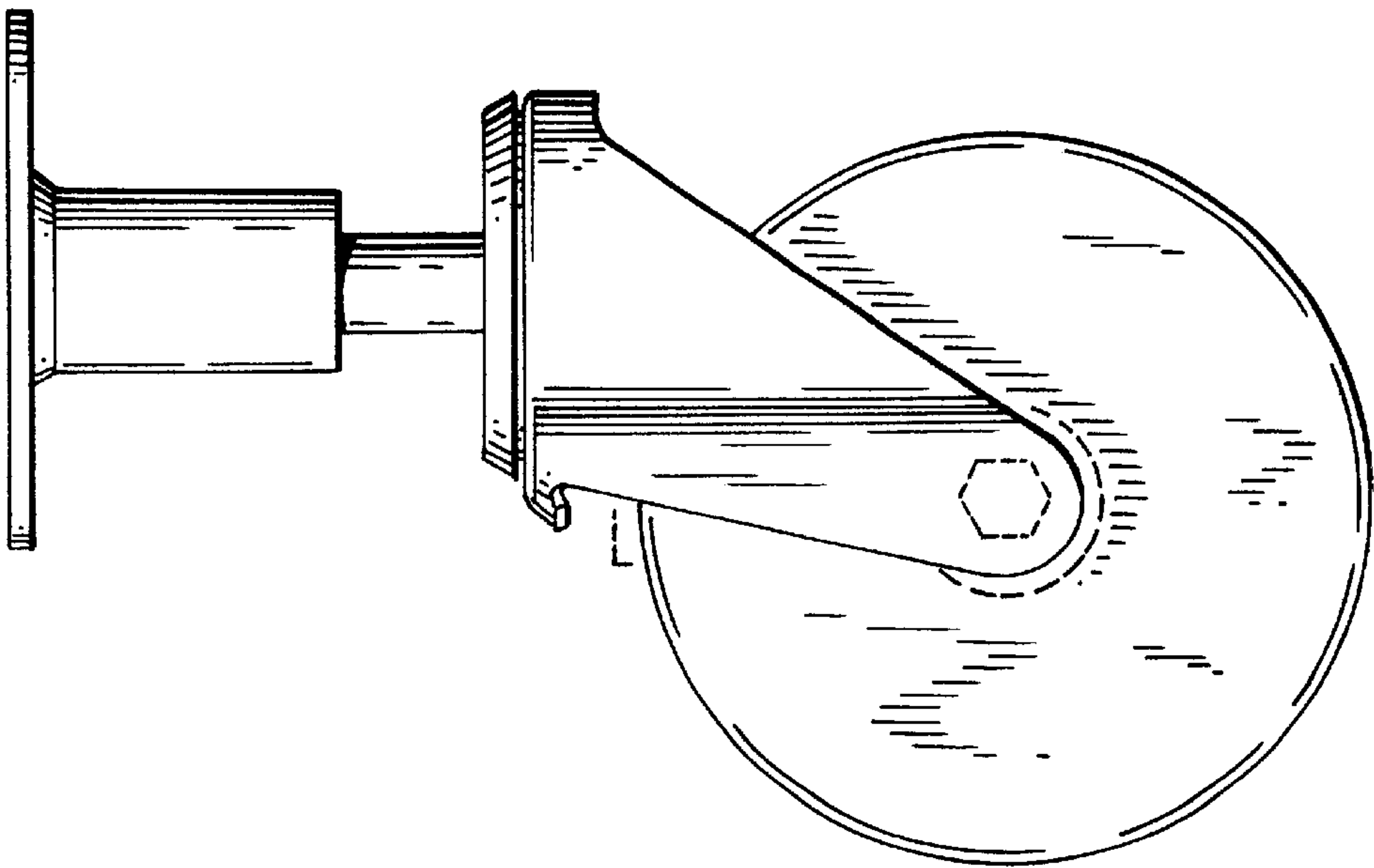


Fig. 3