



US00D486378S

(12) **United States Design Patent**
Filipiak

(10) **Patent No.:** **US D486,378 S**

(45) **Date of Patent:** **** Feb. 10, 2004**

(54) **FIGURINE DISPLAY MOUNTING HOOK**

(76) Inventor: **Ben Filipiak**, 6920 - 14th Ave. North,
St. Petersburg, FL (US) 33710

(**) Term: **14 Years**

(21) Appl. No.: **29/158,350**

(22) Filed: **Apr. 3, 2002**

(51) **LOC (7) Cl.** **08-05**

(52) **U.S. Cl.** **D8/367; D8/370; D11/164**

(58) **Field of Search** **D8/367, 370; D21/658,**
D21/31; 40/419; D11/164, 125; 428/7;
248/414, 302-304, 153, 176.1; 446/383,
330, 268, 376; 160/348, 349.2; 24/26-27,
716; 211/106.01, 60.1, 13.1, 87.01, 65,
66

(56) **References Cited**

U.S. PATENT DOCUMENTS

425,709	A	*	4/1890	Schilling	248/414
490,253	A	*	1/1893	Linabury	248/175
906,584	A	*	12/1908	Trautman et al.	24/27
2,527,152	A	*	10/1950	Ransom et al.	248/158
2,791,391	A	*	5/1957	Uphoff	248/150
3,181,261	A	*	5/1965	Swartz	40/613
3,279,736	A	*	10/1966	Vogt, III	248/346.03
D244,512	S	*	5/1977	Edwards	D12/115
D433,292	S	*	11/2000	Giannoni	D8/1

OTHER PUBLICATIONS

Grammes #66—1941, p. 40, element No. 31480.*

* cited by examiner

Primary Examiner—Pamela Burgess
(74) *Attorney, Agent, or Firm*—Larson & Larson, PA;
James E. Larson

(57) **CLAIM**

The ornamental design for a figurine display mounting hook,
as shown and described.

DESCRIPTION

FIG. 1 is a front elevational view of a figurine display mounting hook showing my novel design; FIG. 2 is a rear elevational view thereof; FIG. 3 is a left side view thereof; FIG. 4 is a right side view thereof; FIG. 5 is a top plan view thereof; FIG. 6 is a bottom plan view thereof; FIG. 7 is a first perspective view of the figurine display mounting hook of the present invention; and, FIG. 8 is a second perspective view of the figurine display mounting hook of the present invention, as shown in use with a figurine.

The broken lines shown in FIGS. 7-8 are for illustrative purposes only and form no part of the overall claimed design.

1 Claim, 5 Drawing Sheets

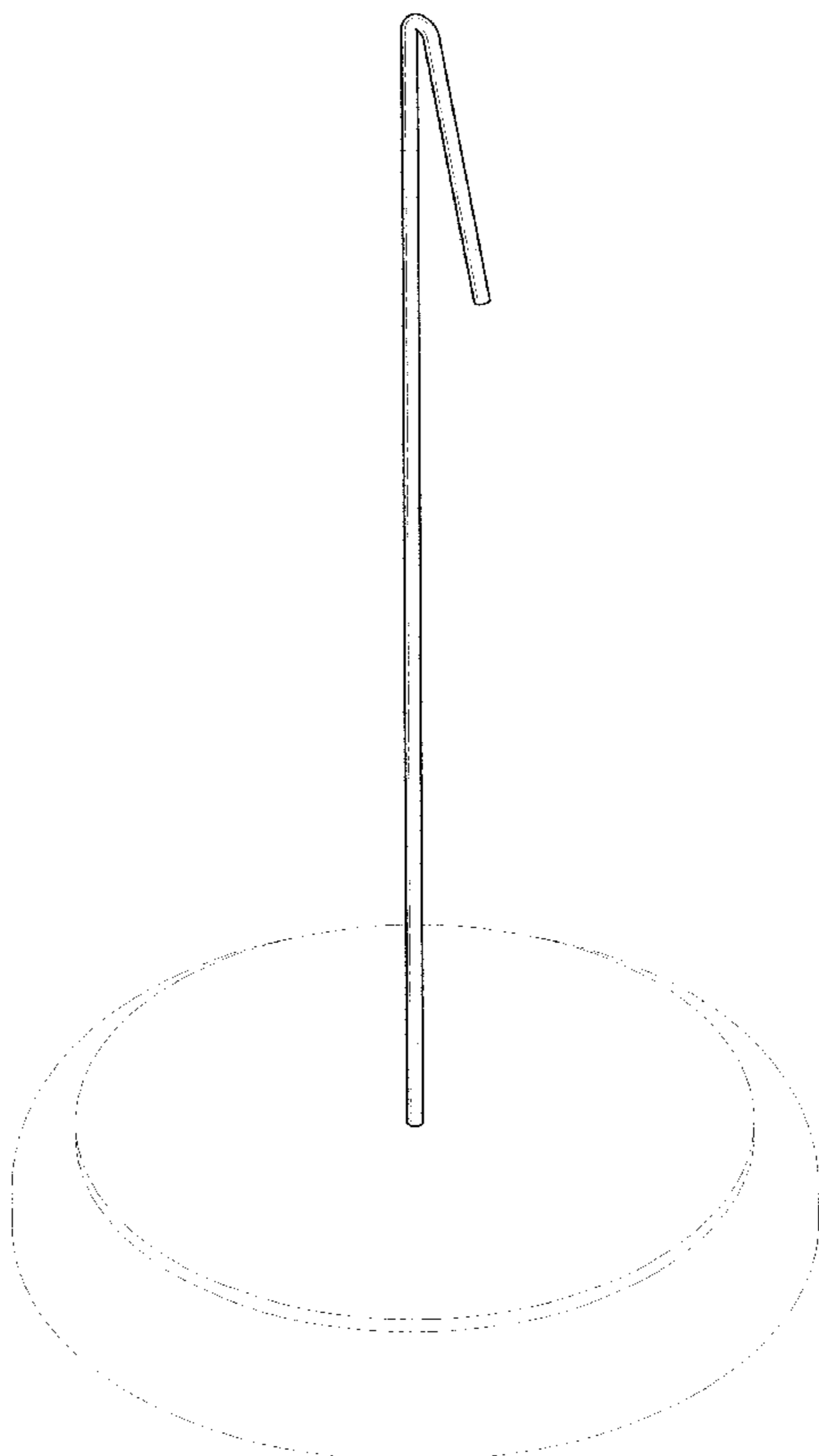




FIG. 1



FIG. 2

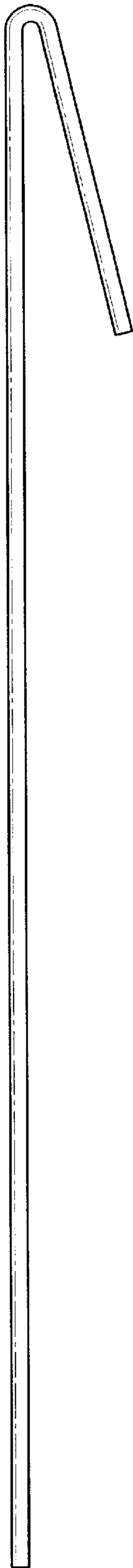


FIG. 3

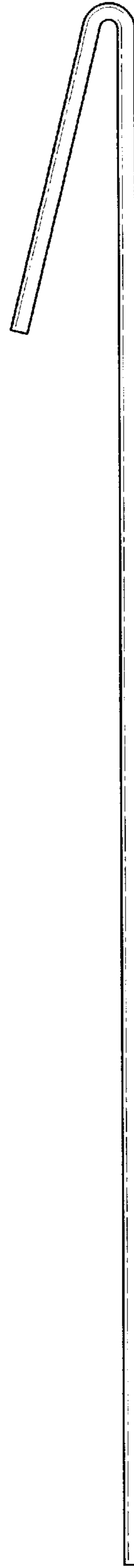


FIG. 4

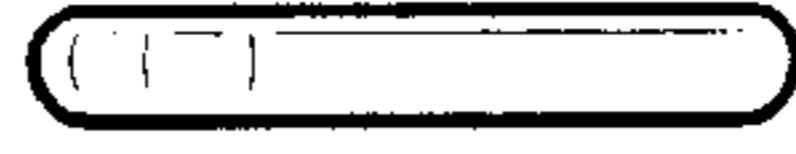


FIG. 5

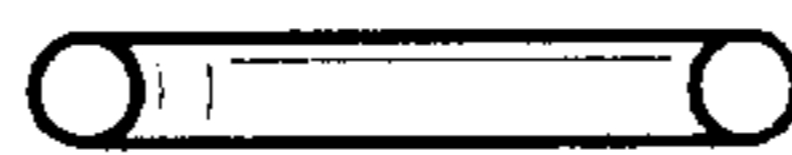


FIG. 6

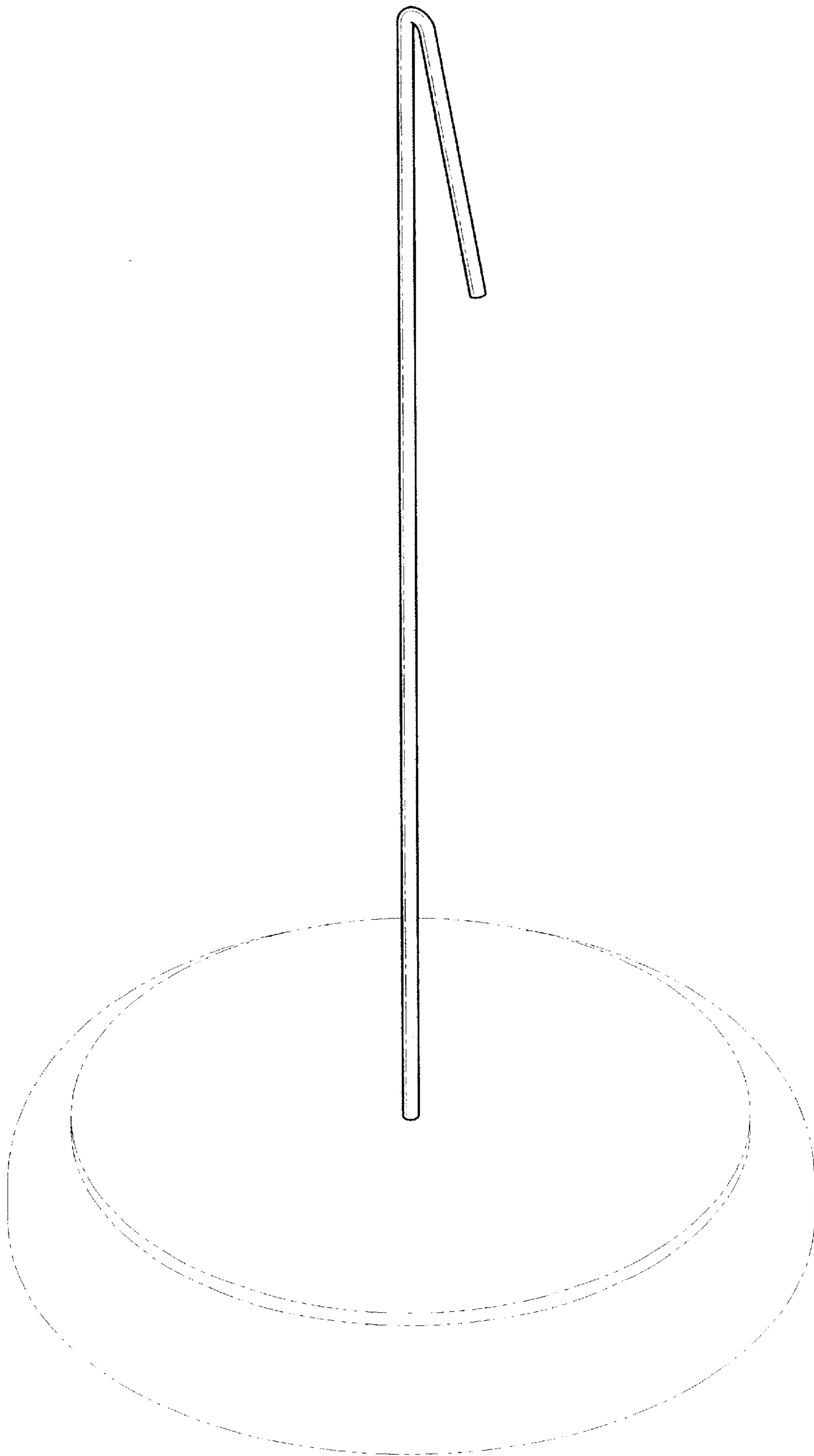


FIG. 7

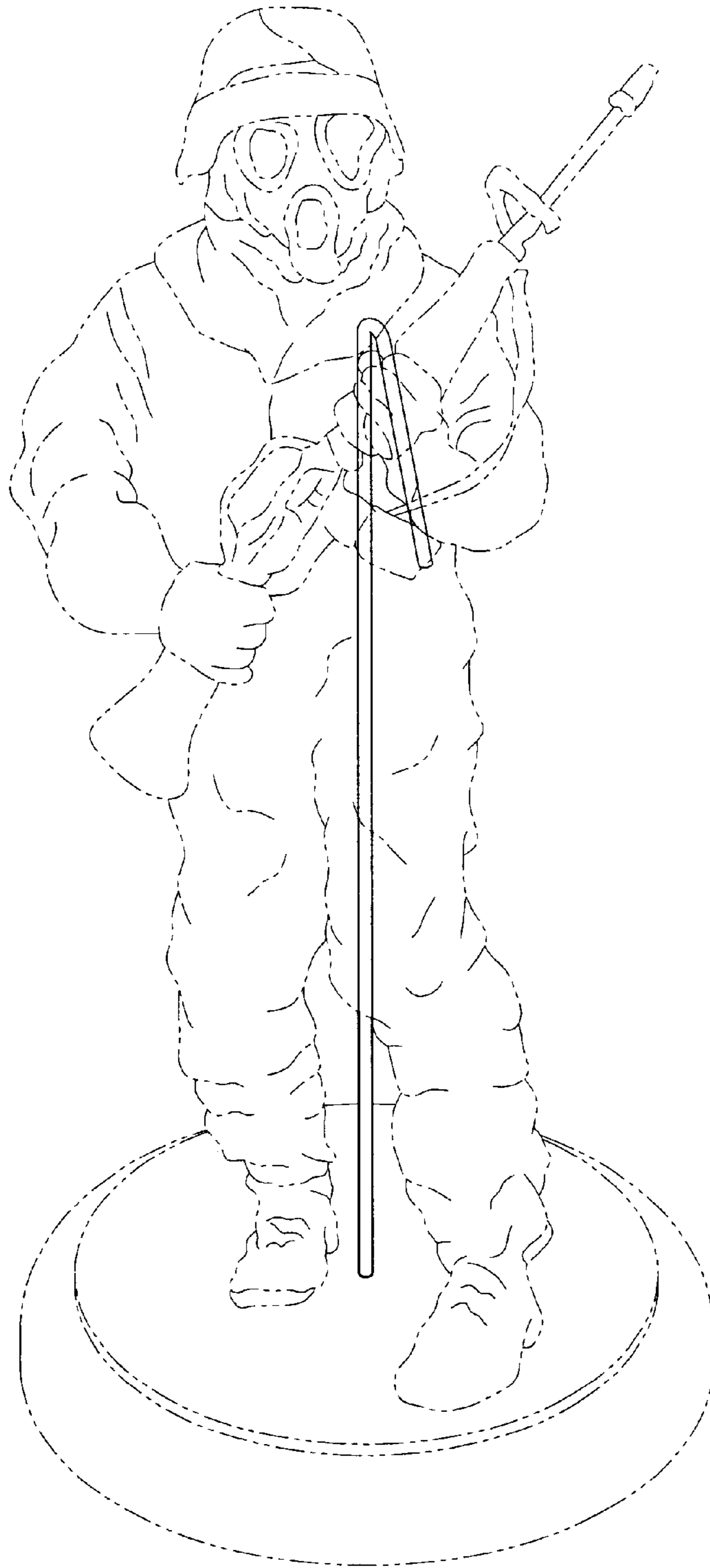


FIG. 8