



US00D486371S

(12) **United States Design Patent**
James

(10) **Patent No.:** **US D486,371 S**

(45) **Date of Patent:** **** Feb. 10, 2004**

(54) **MOUNTABLE EDGE DE-BURRER**

(76) Inventor: **William R. James**, 2863 County Rd.
92N, Independence, MN (US) 55359

(**) Term: **14 Years**

(21) Appl. No.: **29/168,501**

(22) Filed: **Oct. 3, 2002**

(51) **LOC (7) Cl.** **08-05**

(52) **U.S. Cl.** **D8/93**

(58) **Field of Search** D8/14, 91, 93;
30/171-172, 280; 408/1 R

(56) **References Cited**

U.S. PATENT DOCUMENTS

3,644,993	A	*	2/1972	Chupp	30/280
4,012,086	A	*	3/1977	Kruse	384/541
4,455,747	A	*	6/1984	Carossino	30/171
D342,007	S	*	12/1993	Anderson	D8/91
D369,081	S	*	4/1996	Byers et al.	D8/91
5,716,171	A	*	2/1998	Malott et al.	408/187

* cited by examiner

Primary Examiner—Holly Baynham

(74) *Attorney, Agent, or Firm*—Gerald E. Helget; Nelson R. Capes; Briggs and Morgan

(57) **CLAIM**

The ornamental design for a mountable edge de-burrer, as shown and described.

DESCRIPTION

FIG. 1 is a rear perspective view showing my new design for a mountable edge de-burrer;

FIG. 2 is a front perspective view;

FIG. 3 is a front elevational view;

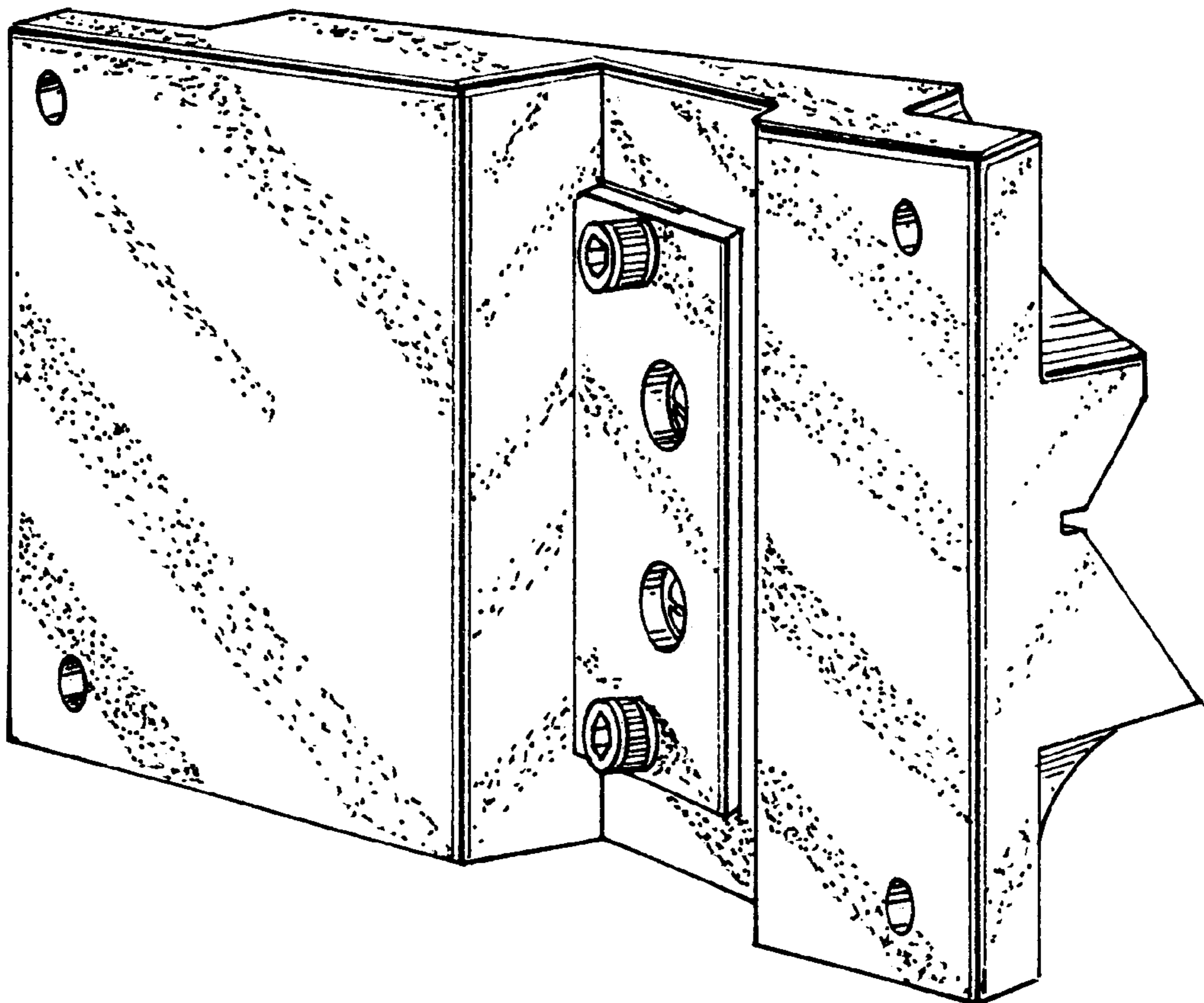
FIG. 4 is a rear elevational view;

FIG. 5 is a top plan view;

FIG. 6 is a bottom plan view; and,

FIG. 7 is a right side elevational view which is a mirror image of the left side.

1 Claim, 3 Drawing Sheets



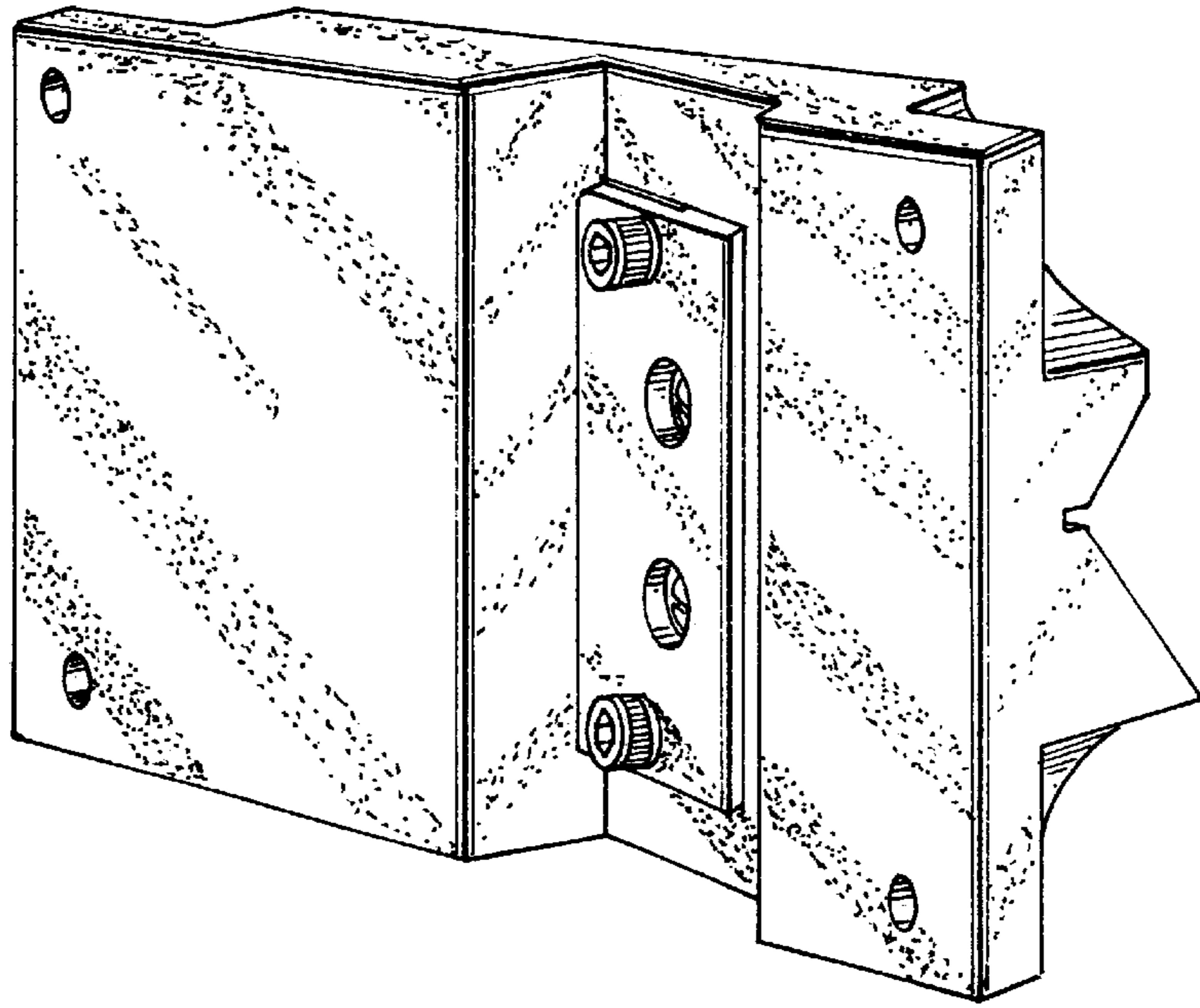


Fig. 1.

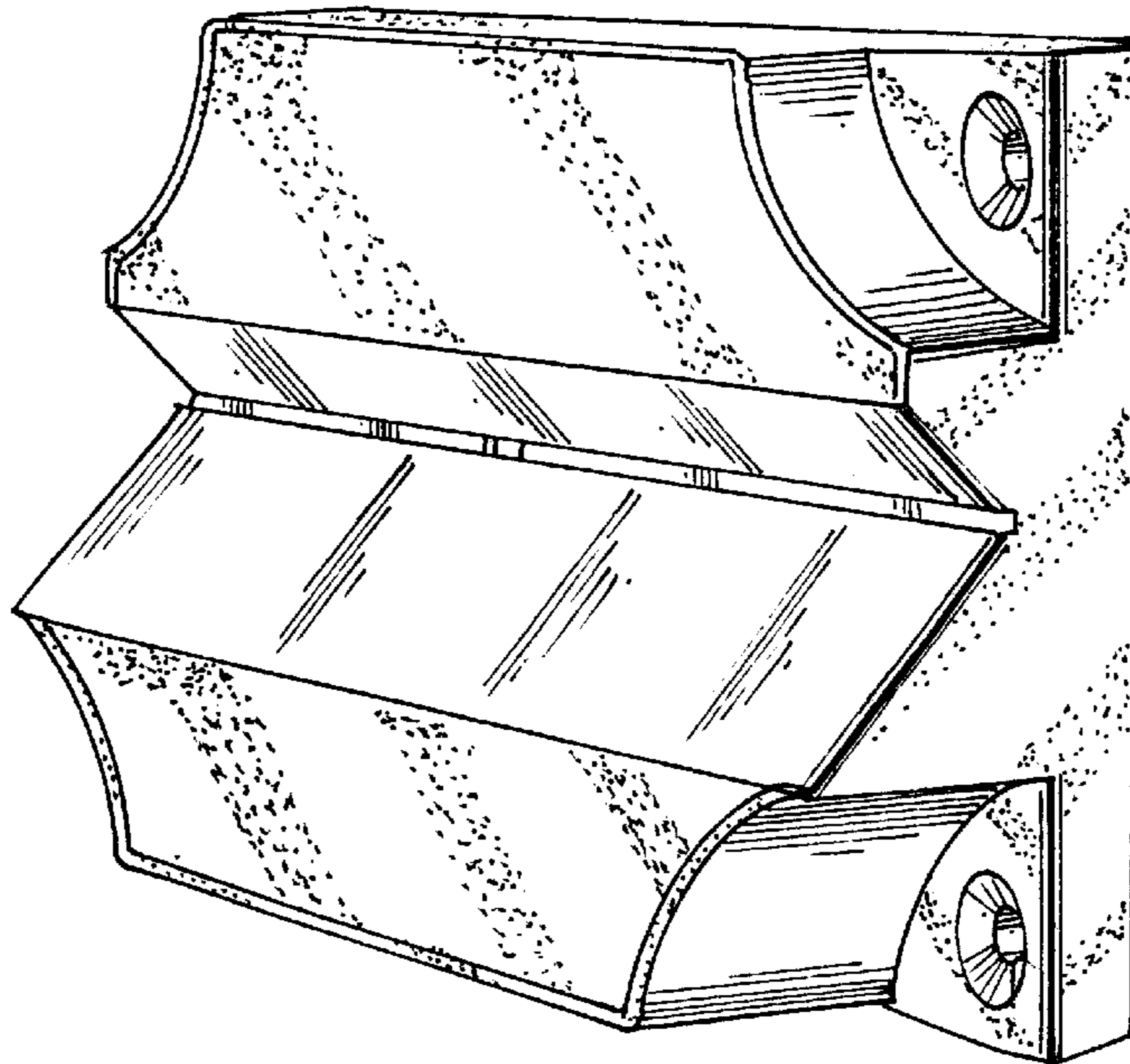


Fig. 2.

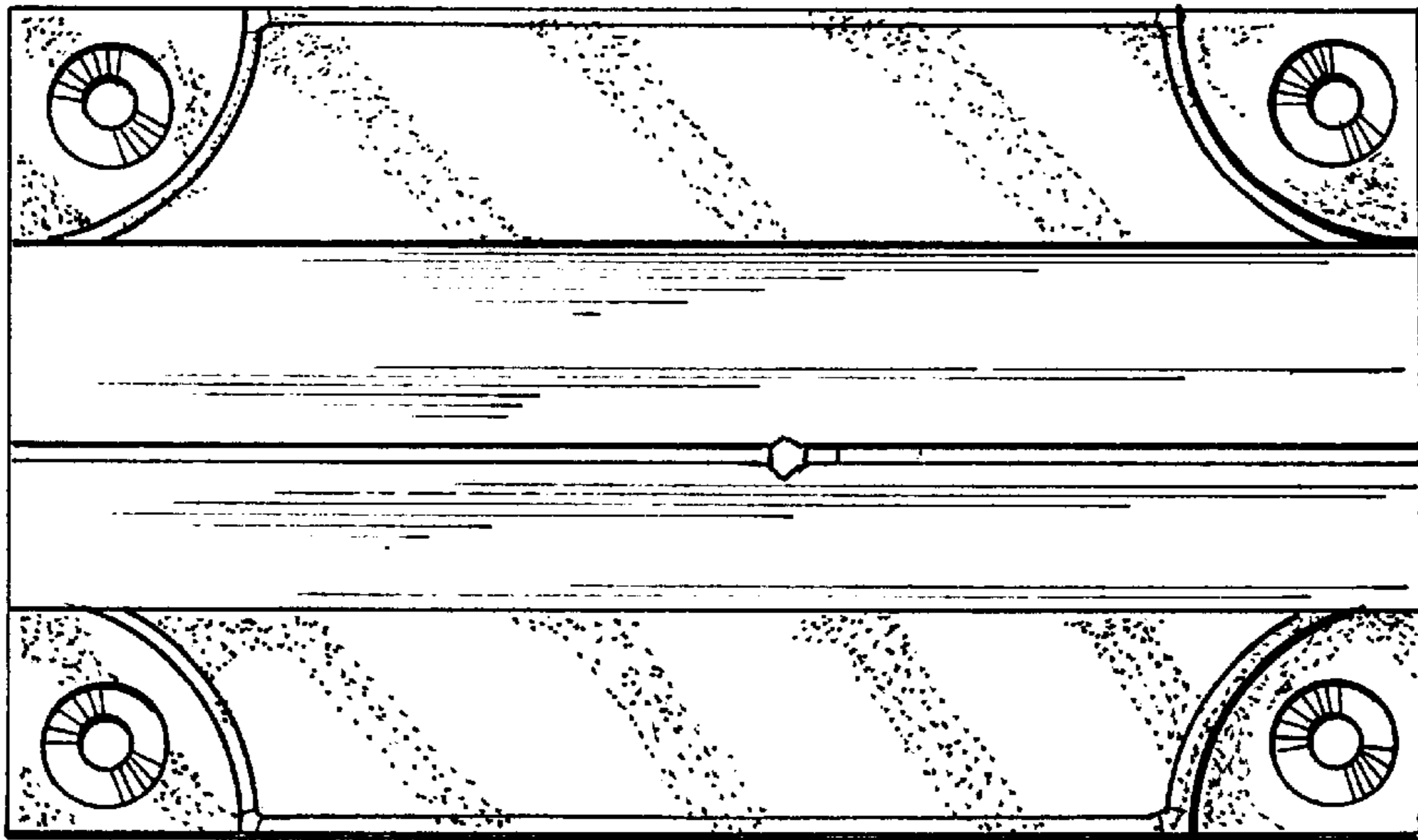


Fig. 3.

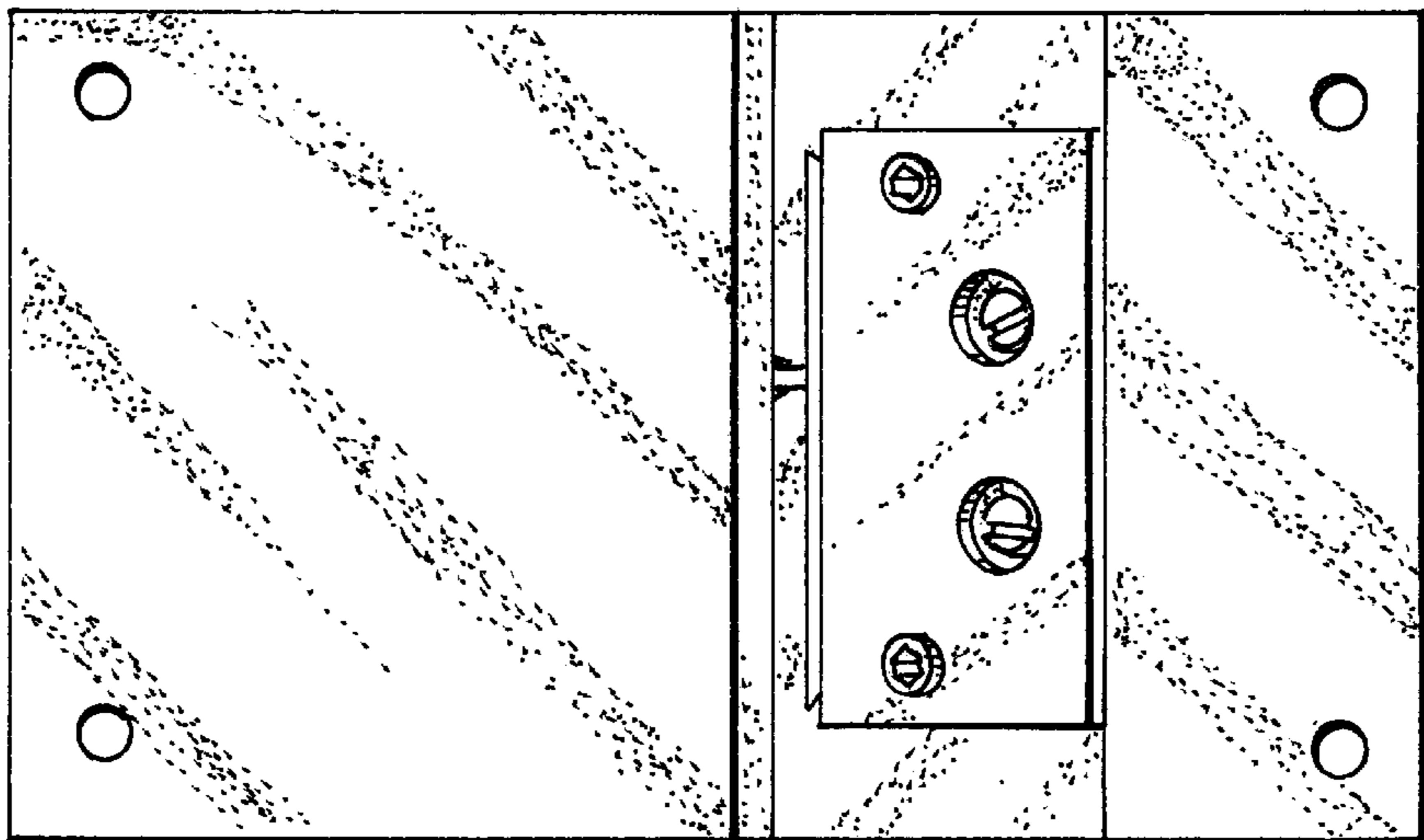


Fig. 4.

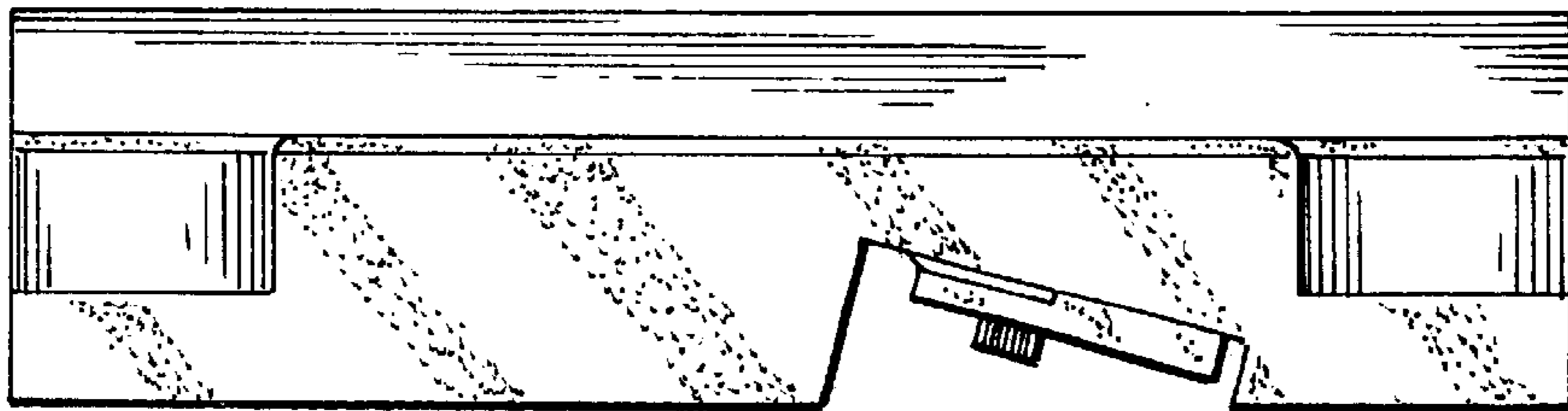


Fig. 5.

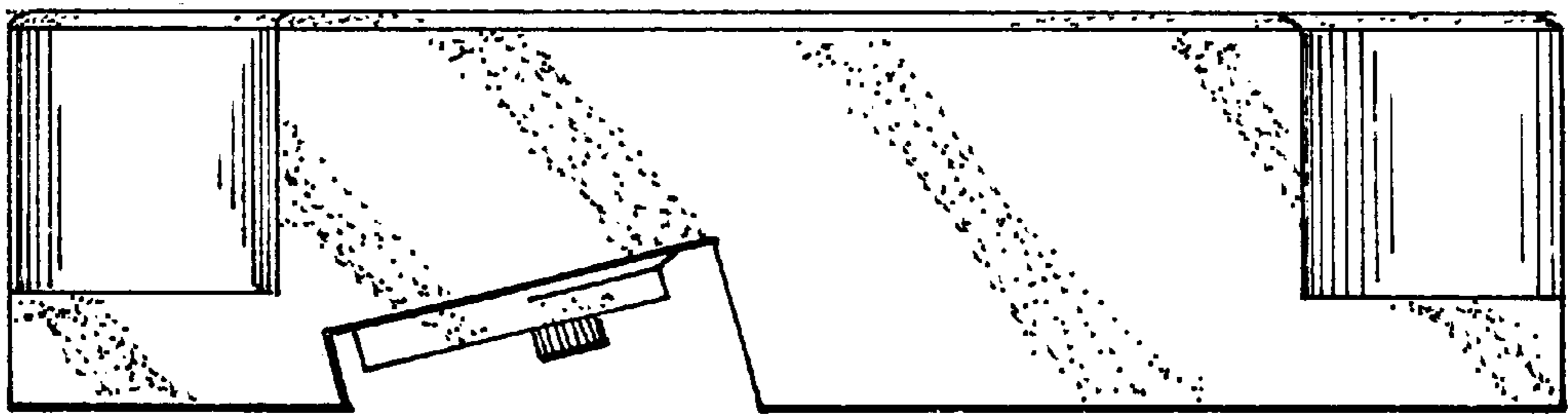


Fig. 6.

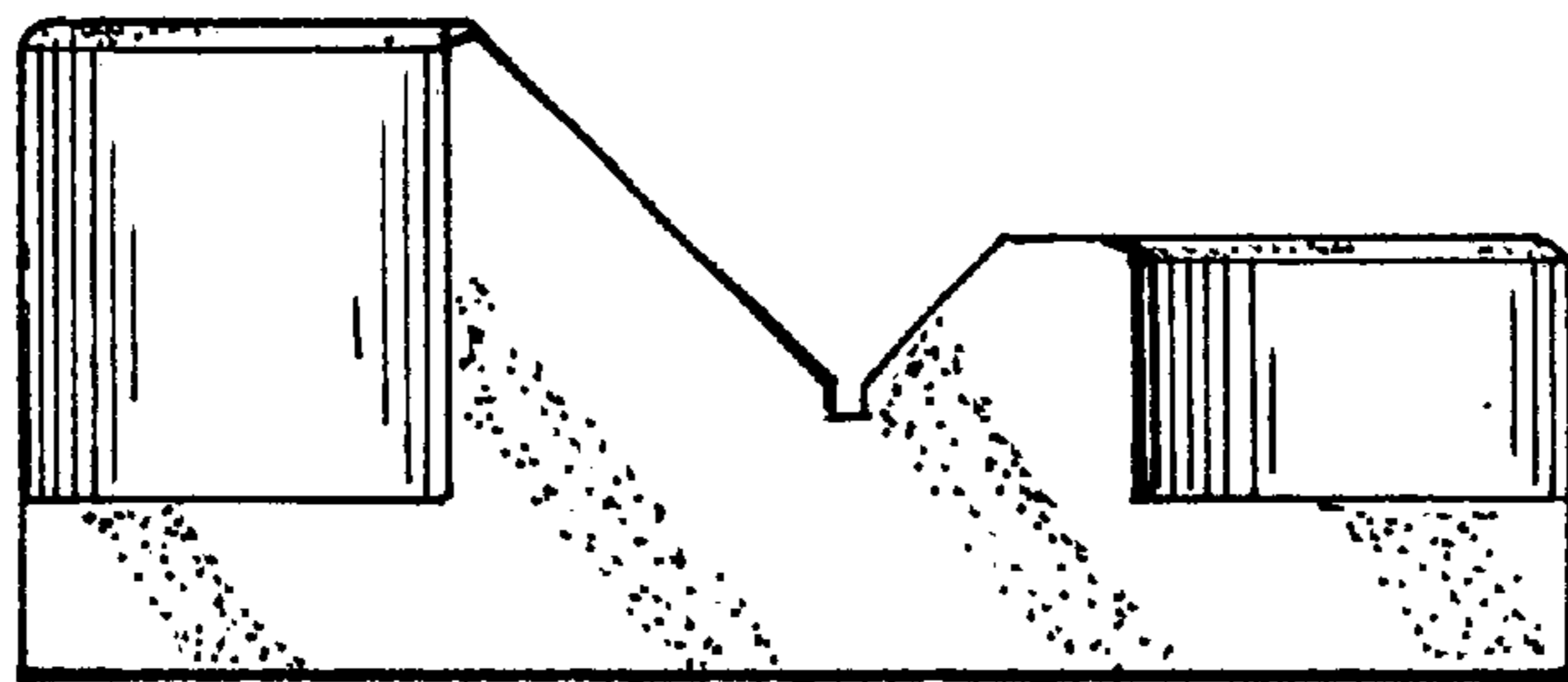


Fig. 7.