



US00D486370S

(12) **United States Design Patent**  
**Chen**

(10) **Patent No.:** **US D486,370 S**

(45) **Date of Patent:** **\*\* Feb. 10, 2004**

(54) **PNEUMATIC TOOL**

(76) **Inventor:** **Lung-Hui Chen**, No. 296-1, Jungshan Rd., Jubei City, Hsinchu (TW)

(\*\*) **Term:** **14 Years**

(21) **Appl. No.:** **29/182,044**

(22) **Filed:** **May 20, 2003**

(51) **LOC (7) Cl.** ..... **08-05**

(52) **U.S. Cl.** ..... **D8/68**

(58) **Field of Search** ..... D8/14.1, 61, 62, D8/63, 64, 65, 66, 67, 68, 69, 70; 81/57.11, 429, 464, 465, 466, 469, 489; 173/13, 169, 178, 213, 217; 227/8, 114, 120, 130, 136, 142; 310/50; 408/20, 124, 125, 234, 241 R; 451/358

D456,684 S	*	5/2002	Izumisawa	.....	D8/68
D458,103 S	*	6/2002	Chen	.....	D8/68
D459,177 S	*	6/2002	Chen	.....	D8/68
D459,182 S	*	6/2002	Morgan	.....	D8/68
D459,183 S	*	6/2002	Morgan	.....	D8/68
D459,643 S	*	7/2002	Morgan	.....	D8/68
D459,644 S	*	7/2002	Morgan	.....	D8/68
D460,675 S	*	7/2002	Morgan	.....	D8/68
D476,209 S	*	6/2003	Chen	.....	D8/68

\* cited by examiner

*Primary Examiner*—Doris V. Coles

*Assistant Examiner*—T. Chase Nelson

(74) *Attorney, Agent, or Firm*—Birch, Stewart, Kolasch & Birch, LLP

(57) **CLAIM**

The ornamental design for pneumatic tool, as shown and described.

(56) **References Cited**

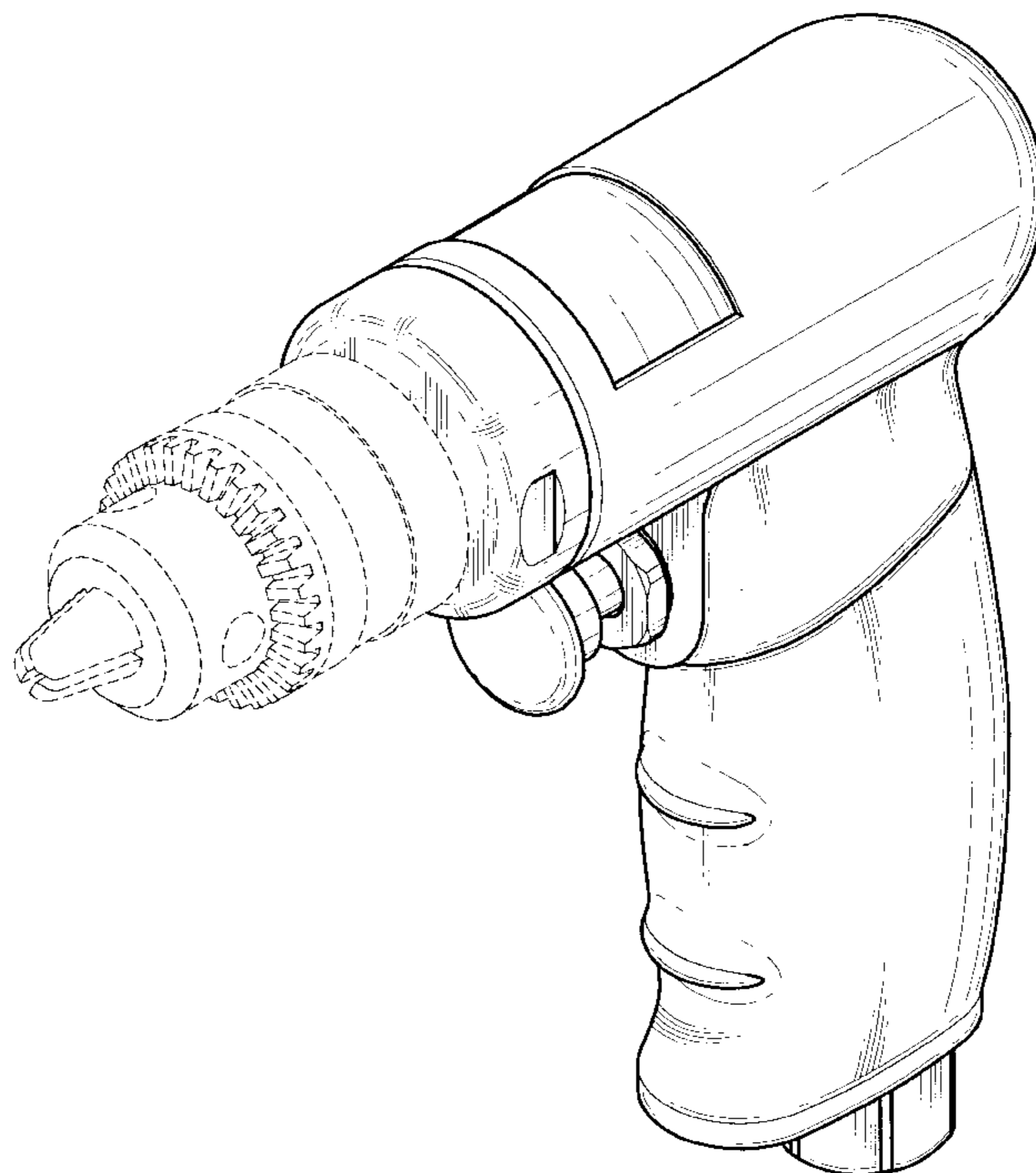
**U.S. PATENT DOCUMENTS**

D134,509 S	*	12/1942	Reynolds	.....	D8/68
2,966,138 A	*	12/1960	Quackenbush	.....	173/169
3,043,274 A	*	7/1962	Quackenbush	.....	173/169
3,454,059 A	*	7/1969	Sindelar	.....	81/429
3,901,631 A	*	8/1975	Wickham et al.	.....	D8/68
D259,392 S	*	6/1981	Elmessaar et al.	.....	D8/68
D300,313 S	*	3/1989	Izumisawa	.....	D8/68
5,353,474 A	*	10/1994	Good et al.	.....	173/169
D358,314 S	*	5/1995	Izumisawa	.....	D8/68
D430,995 S	*	9/2000	Izumisawa	.....	D8/68
D444,365 S	*	7/2001	Bass et al.	.....	D8/68
D452,638 S	*	1/2002	Chen	.....	D8/62
D452,805 S	*	1/2002	Chen	.....	D8/62

**DESCRIPTION**

FIG. 1 is a perspective view of pneumatic tool showing our new design thereof;  
FIG. 2 is a right side elevational view thereof;  
FIG. 3 is a top plan view thereof;  
FIG. 4 is a front side elevational view thereof;  
FIG. 5 is a bottom plan view thereof;  
FIG. 6 is a left side elevational view thereof; and,  
FIG. 7 is a rear side elevational view thereof.  
The broken line showing of environmental structure is for illustrative purposes only and forms no part of the claimed design.

**1 Claim, 6 Drawing Sheets**



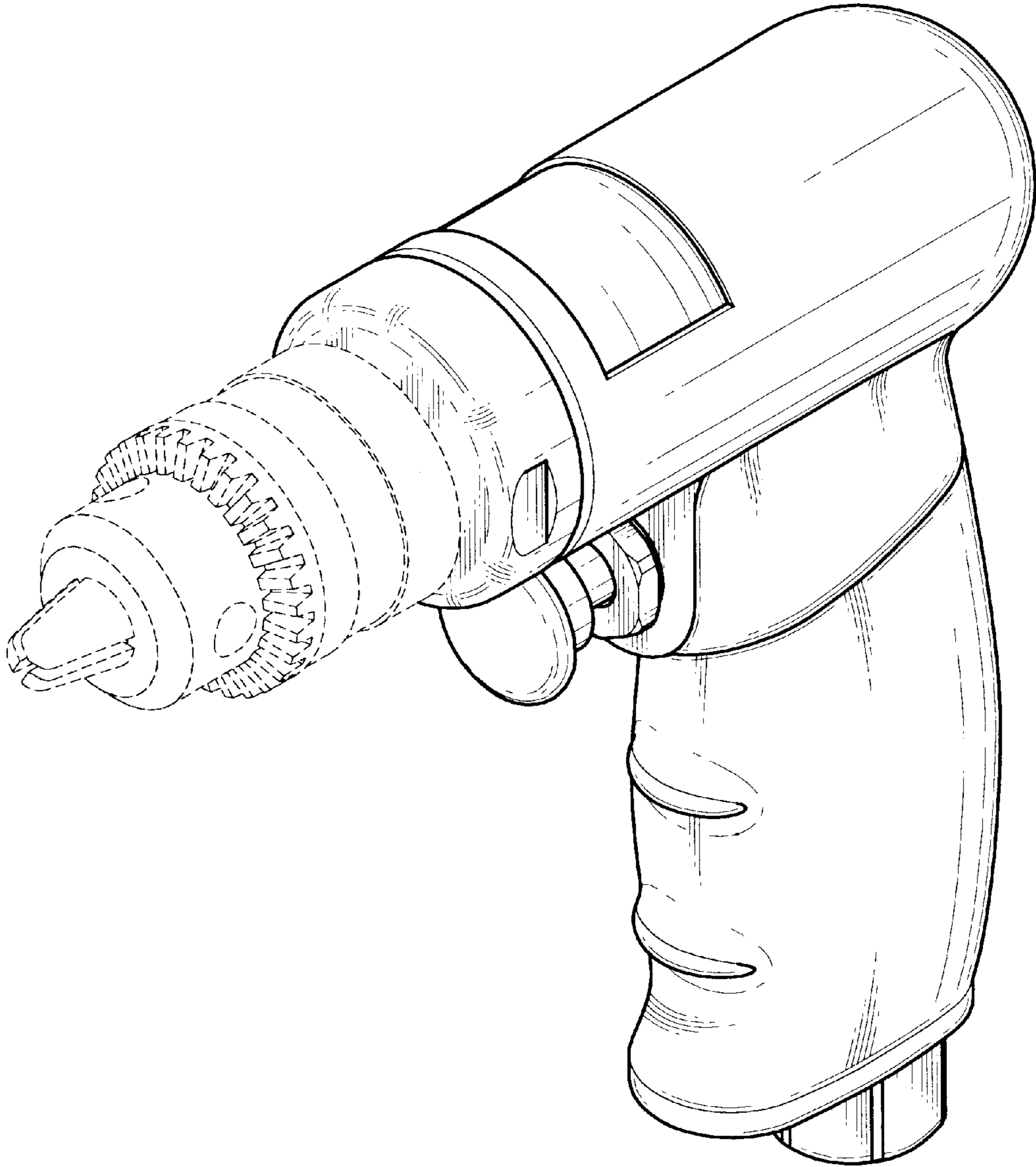


Fig. 1

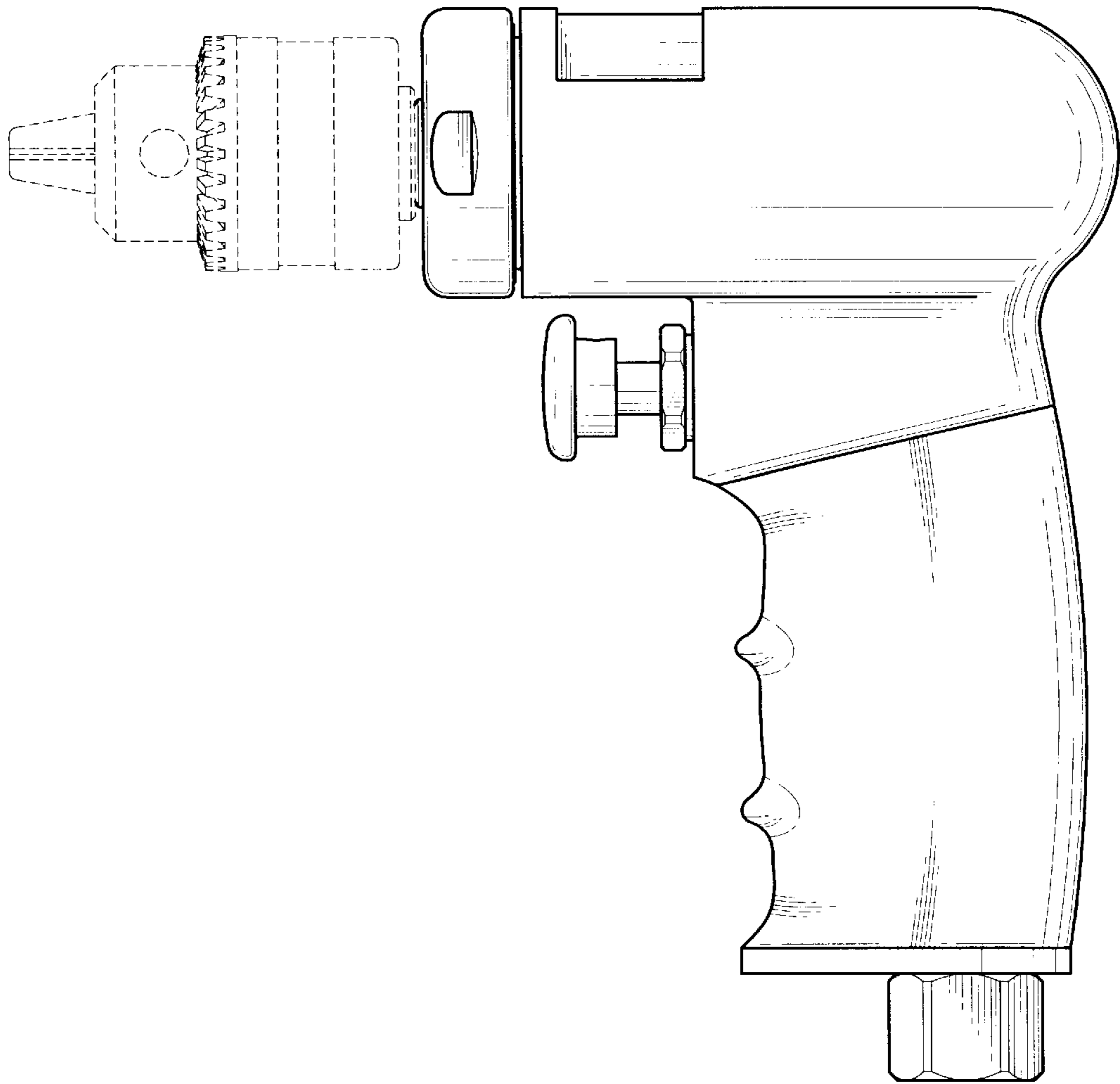


Fig. 2

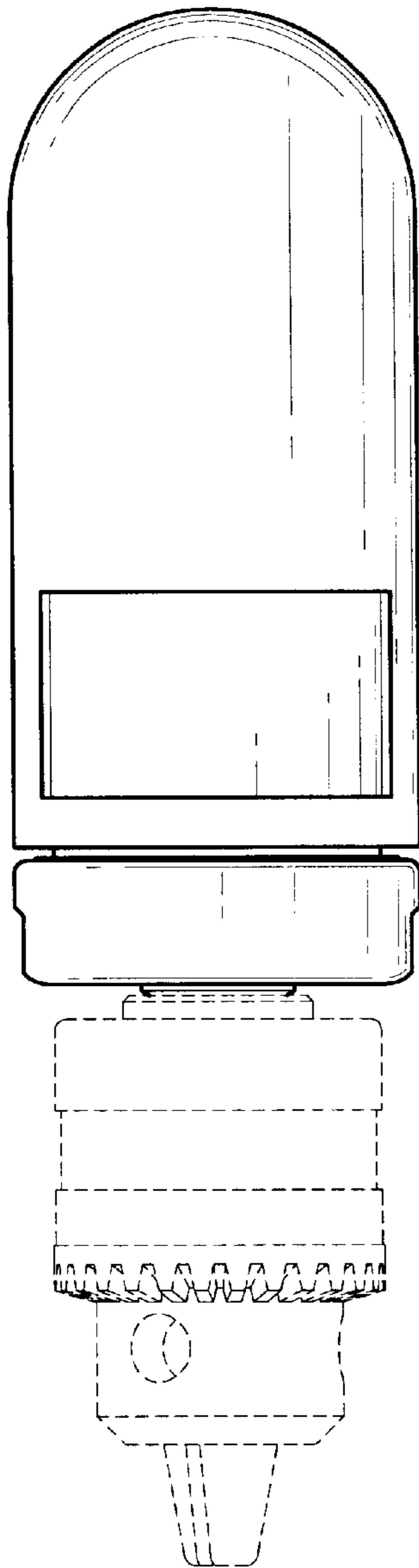


Fig. 3

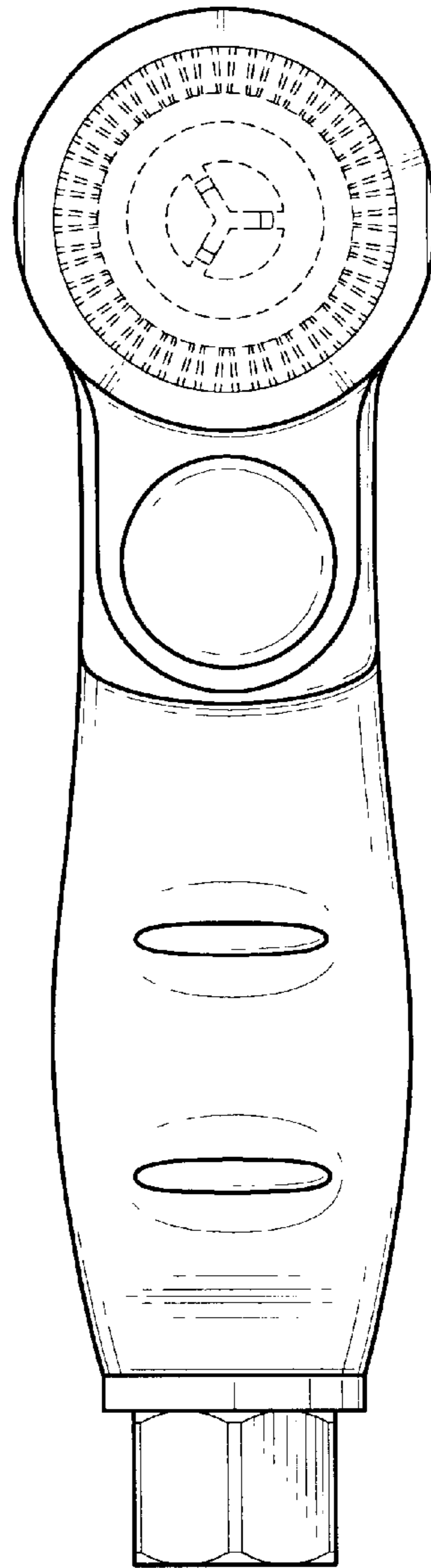


Fig. 4

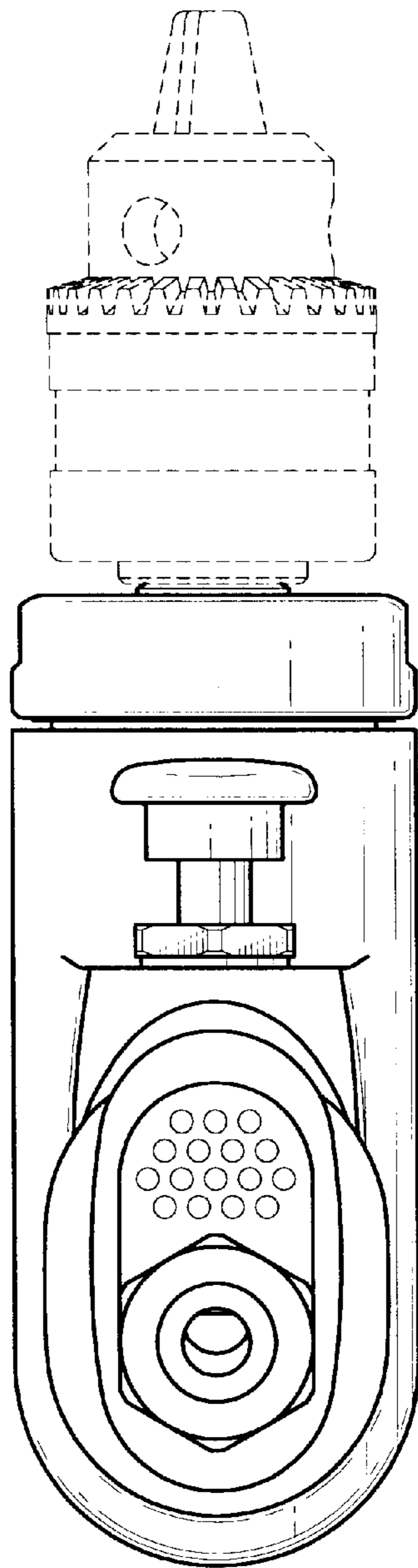


Fig. 5

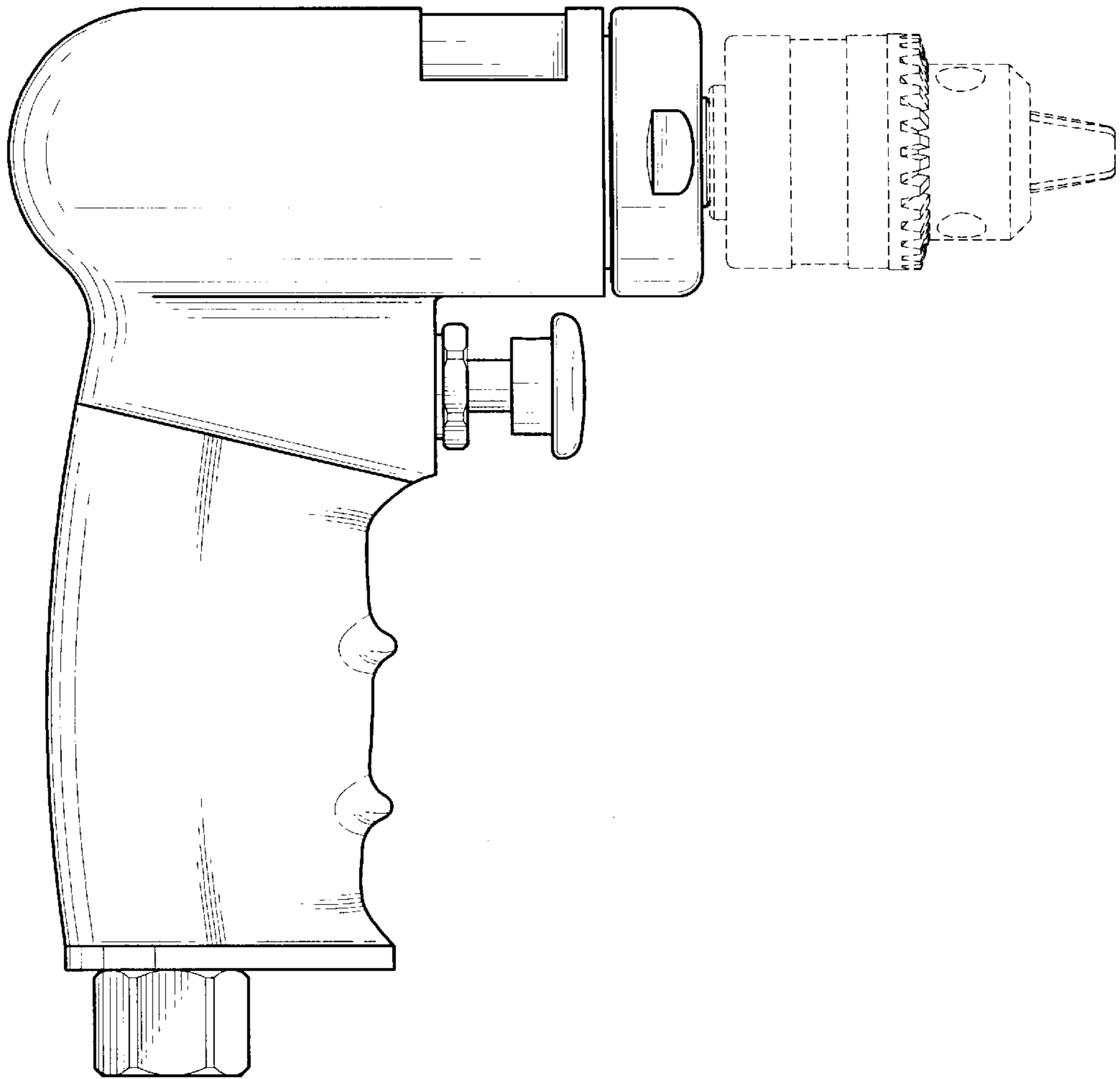


Fig. 6

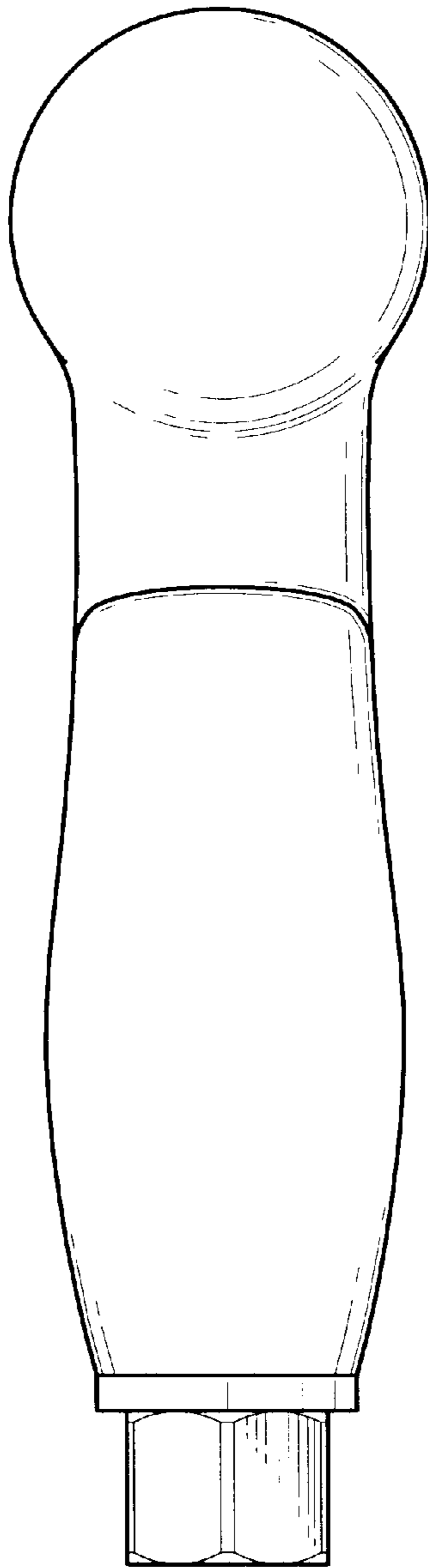


Fig. 7