



US00D486369S

(12) **United States Design Patent**
Keller

(10) **Patent No.:** **US D486,369 S**

(45) **Date of Patent:** **** Feb. 10, 2004**

(54) **CIRCULAR SAW WITH LASER ALIGNMENT SYSTEM**

(75) **Inventor:** **Guillaume Keller, Coublevie (FR)**

(73) **Assignee:** **Chevron International Trading Co., Ltd (CN)**

(**) **Term:** **14 Years**

(21) **Appl. No.:** **29/169,097**

(22) **Filed:** **Oct. 16, 2002**

(30) **Foreign Application Priority Data**

Apr. 17, 2002 (CN) 02 3 17927

(51) **LOC (7) Cl.** **08-03**

(52) **U.S. Cl.** **D8/66**

(58) **Field of Search** D8/61, 64, 65, D8/66, 67, 69; D24/146; 30/166.3, 374, 375, 376, 377, 388, 390, 391, 392, 393, 394, 397; 83/397, 699.21; 409/180, 181, 182

(56) **References Cited**

U.S. PATENT DOCUMENTS

- 5,010,651 A * 4/1991 Techter et al. 30/375
- D326,399 S * 5/1992 Fushiya et al. D8/66
- 5,461,790 A * 10/1995 Olstowski 30/391

- D378,488 S * 3/1997 Ito et al. D8/66
- 5,782,001 A * 7/1998 Gray 30/391
- 5,832,614 A * 11/1998 Gallagher et al. 30/390
- D427,874 S * 7/2000 Hayakawa et al. D8/66
- 6,202,311 B1 * 3/2001 Nickels, Jr. 30/376
- D449,503 S * 10/2001 Tsuzuki et al. D8/66
- D453,099 S * 1/2002 Welsh D8/66
- D460,672 S * 7/2002 Pretzell D8/66
- 6,502,316 B2 * 1/2003 Campbell et al. 30/390

* cited by examiner

Primary Examiner—Doris V. Coles

Assistant Examiner—Elizabeth A. Albert

(74) *Attorney, Agent, or Firm*—Rothwell, Figg, Ernst & Manbeck, PC

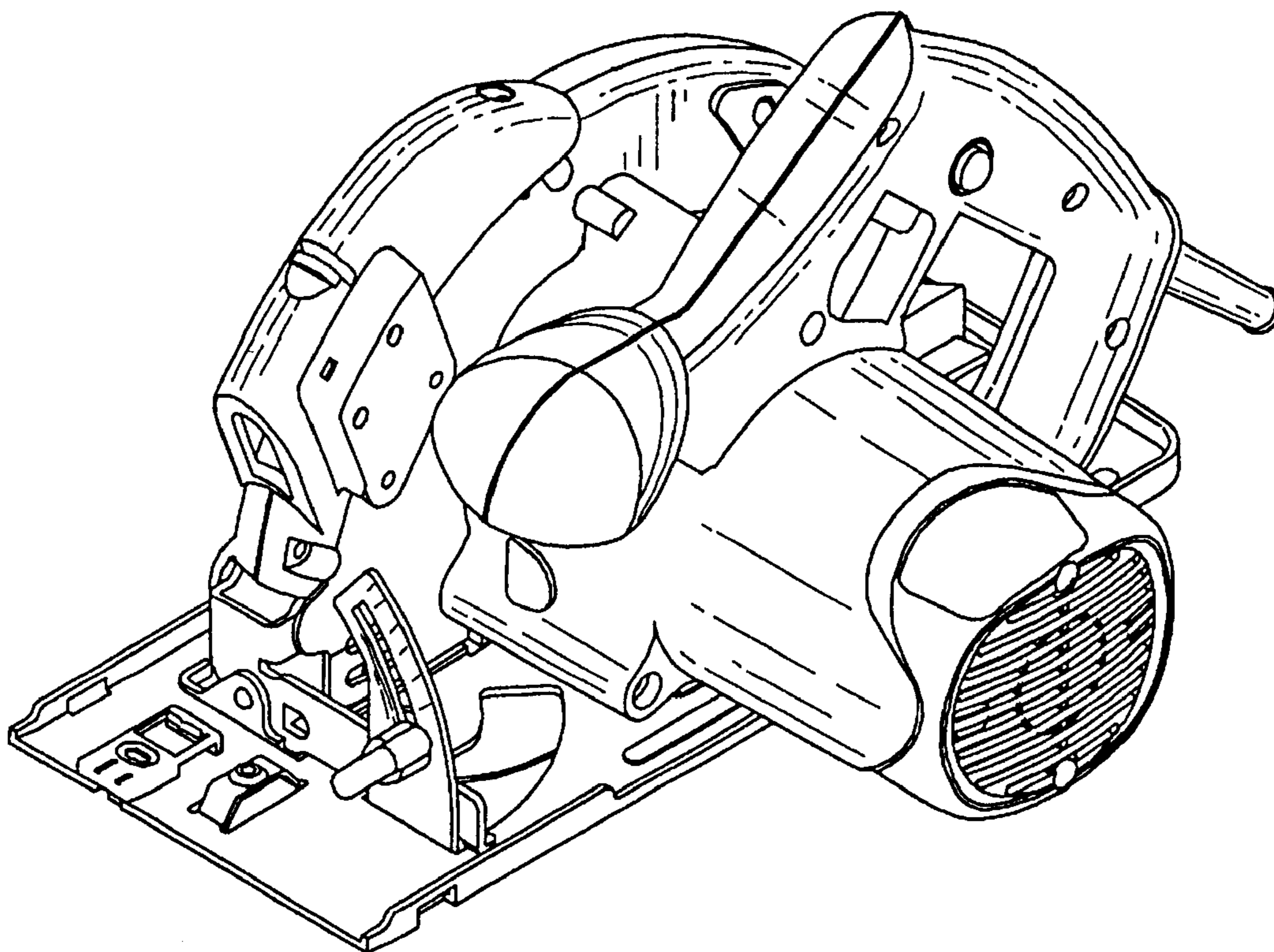
(57) **CLAIM**

The ornamental design for a circular saw with laser alignment system, as shown and described.

DESCRIPTION

- FIG. 1 is a front elevational view of the invention.
- FIG. 2 is a back elevational view thereof.
- FIG. 3 is a left elevational view thereof.
- FIG. 4 is a right elevational view thereof.
- FIG. 5 is a top plan view thereof.
- FIG. 6 is a bottom plan view thereof; and,
- FIG. 7 is a perspective view thereof.

1 Claim, 4 Drawing Sheets



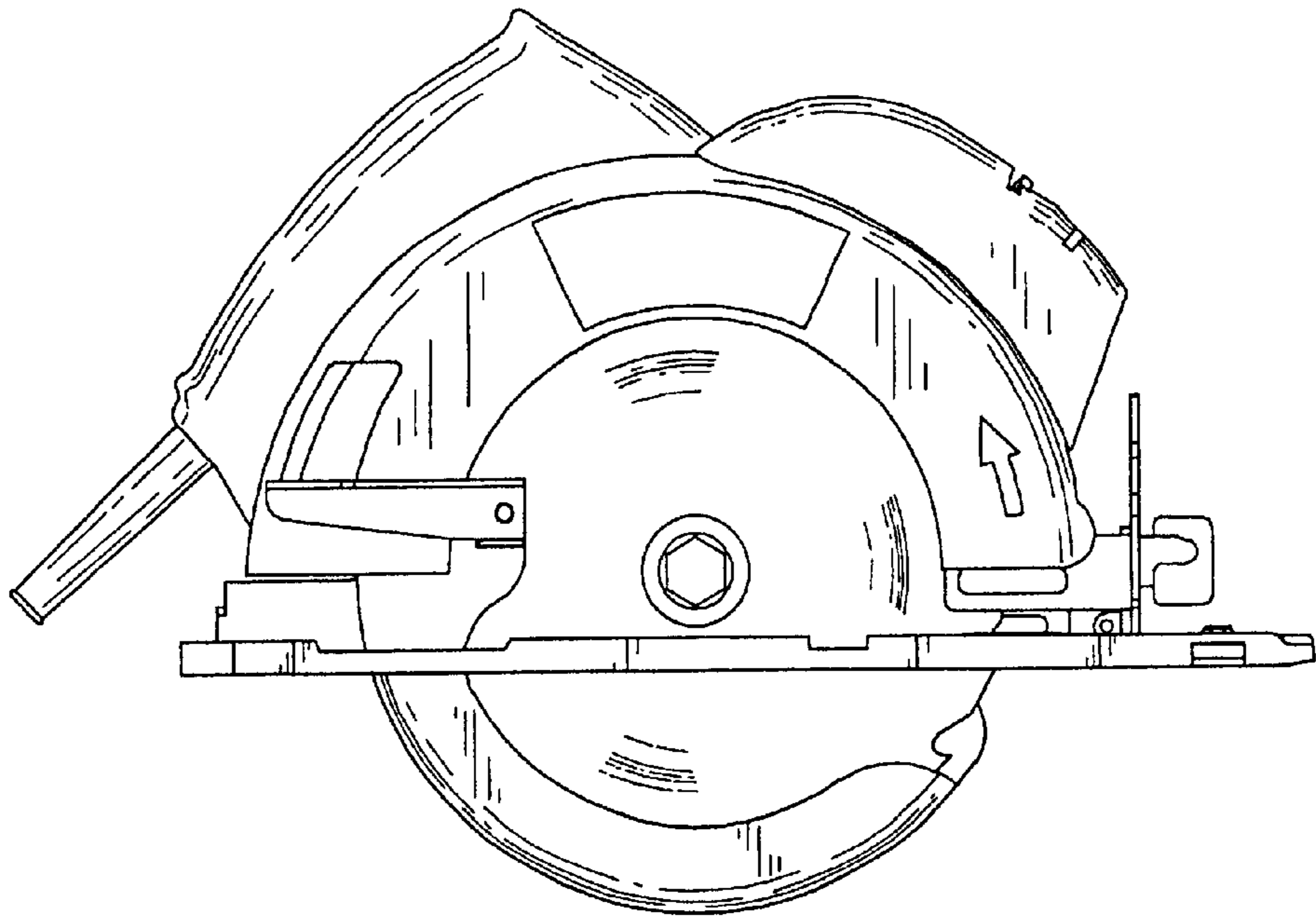


FIG. 1

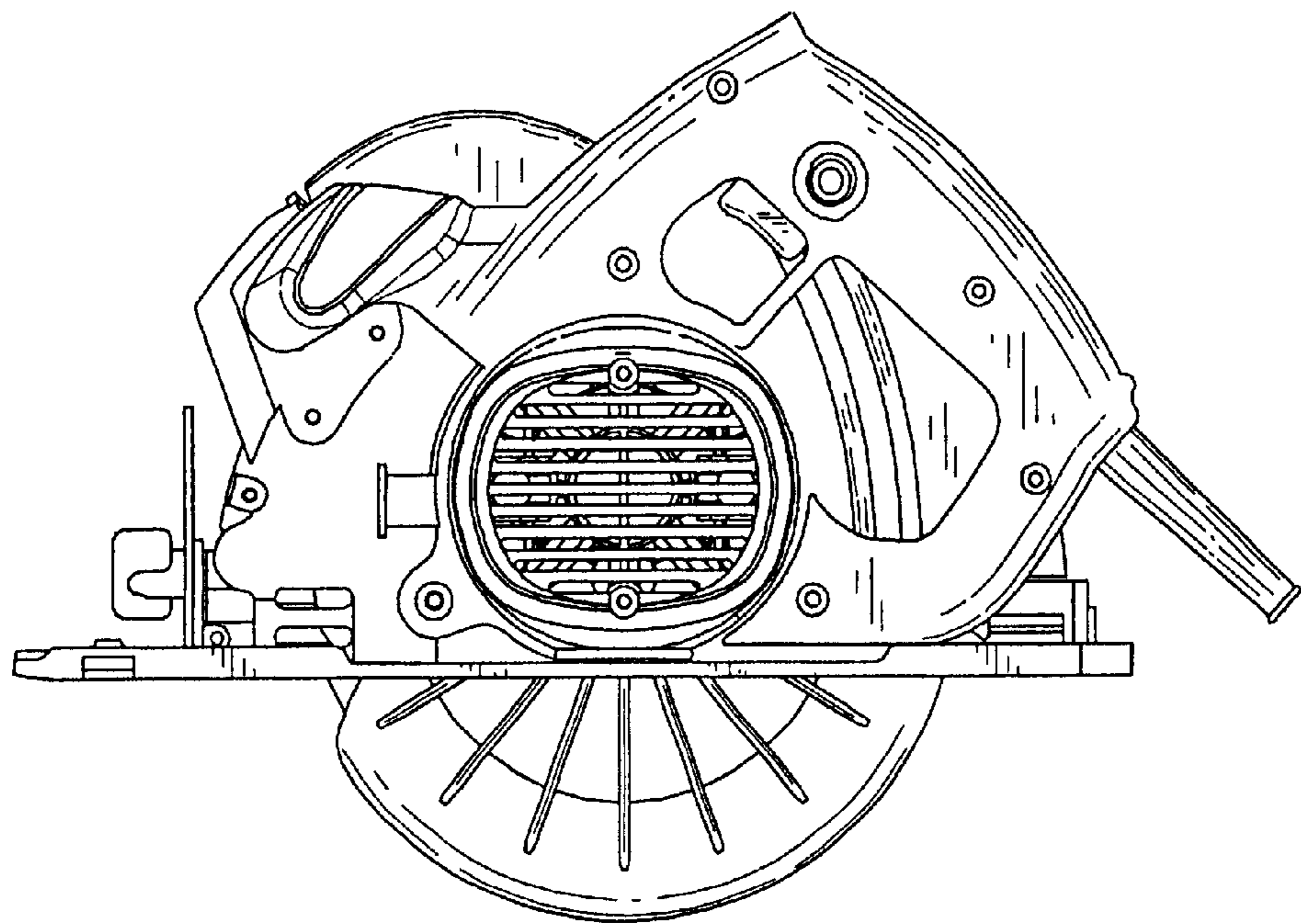


FIG. 2

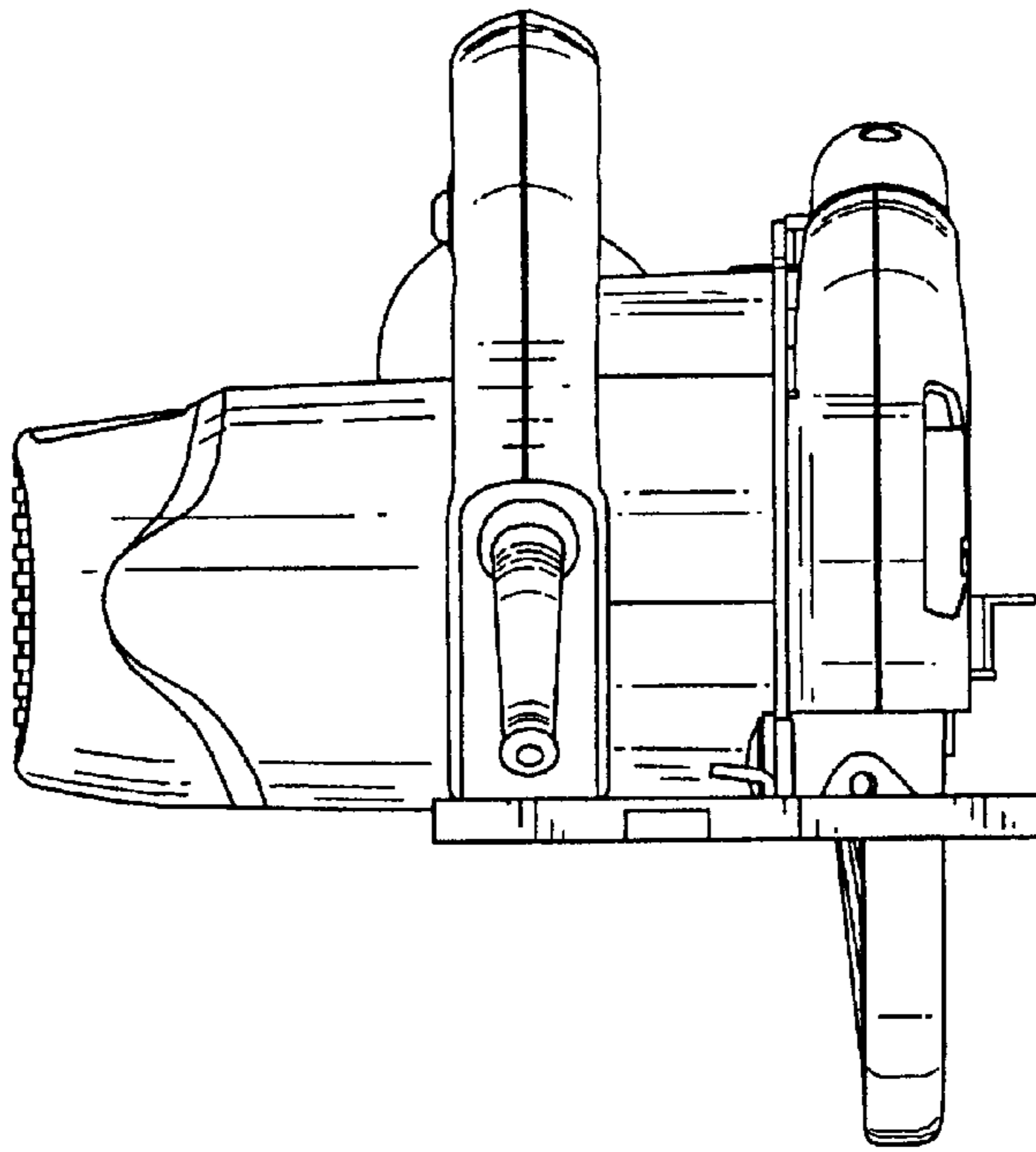


FIG. 3

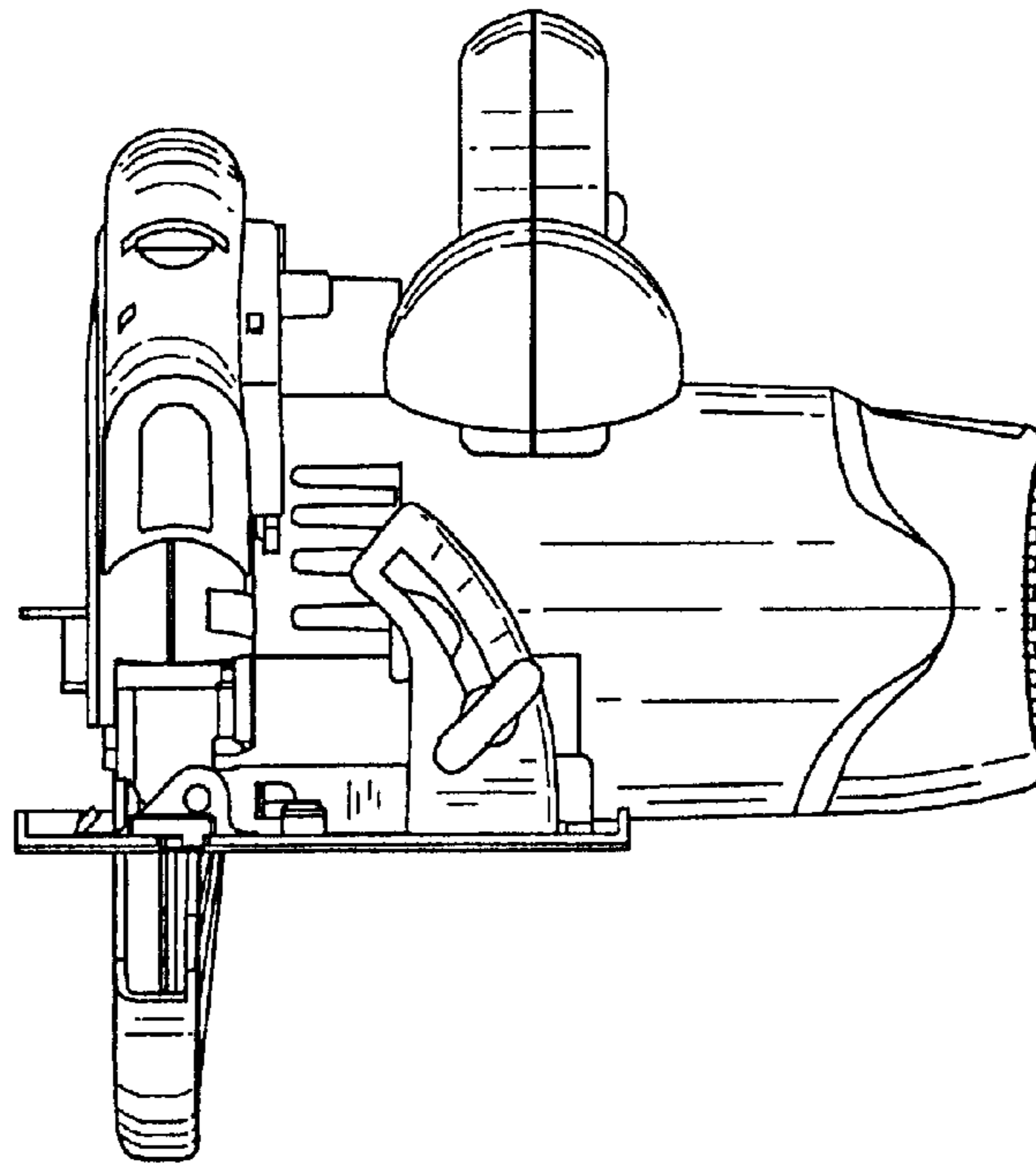


FIG. 4

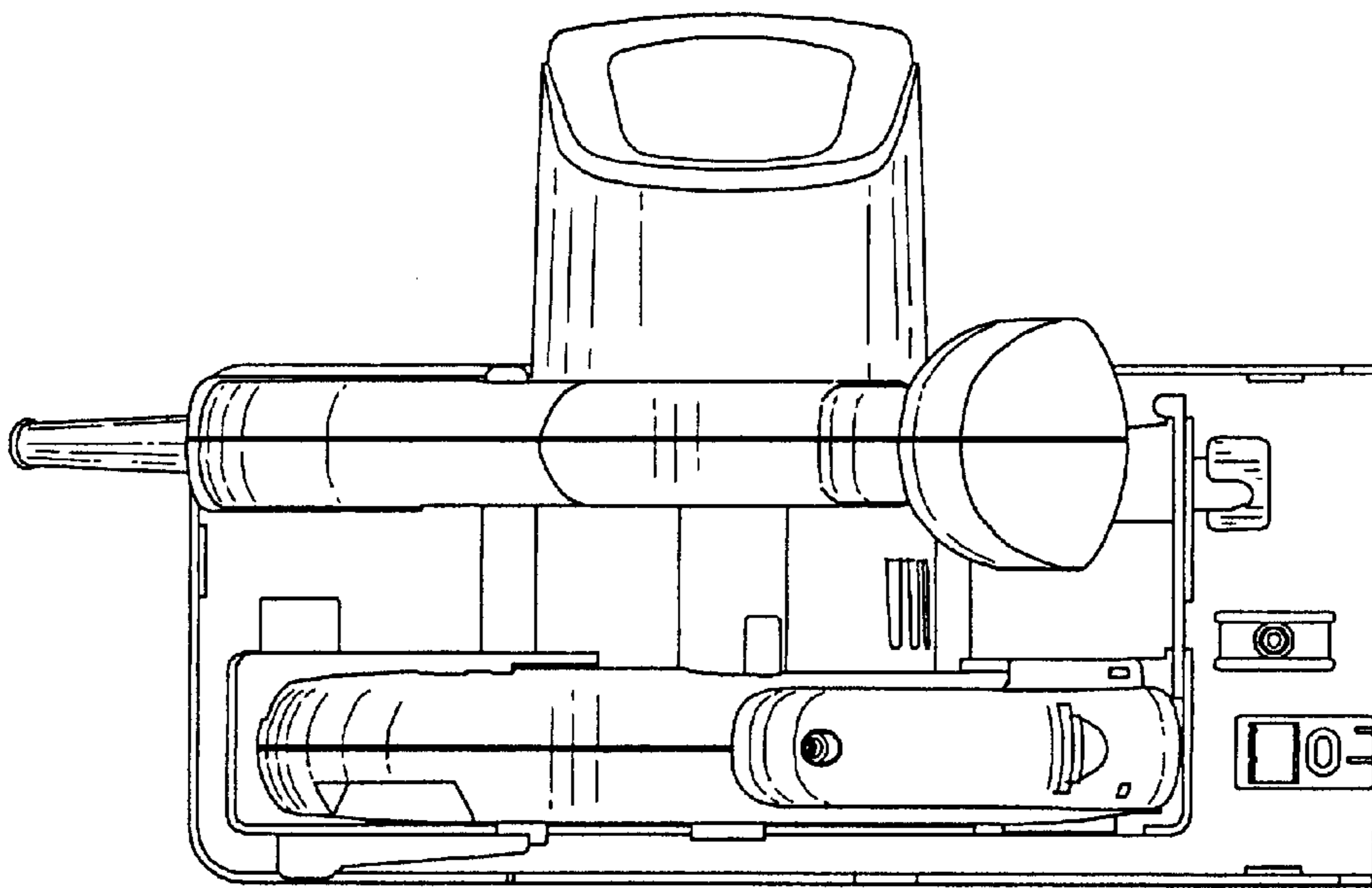


FIG. 5

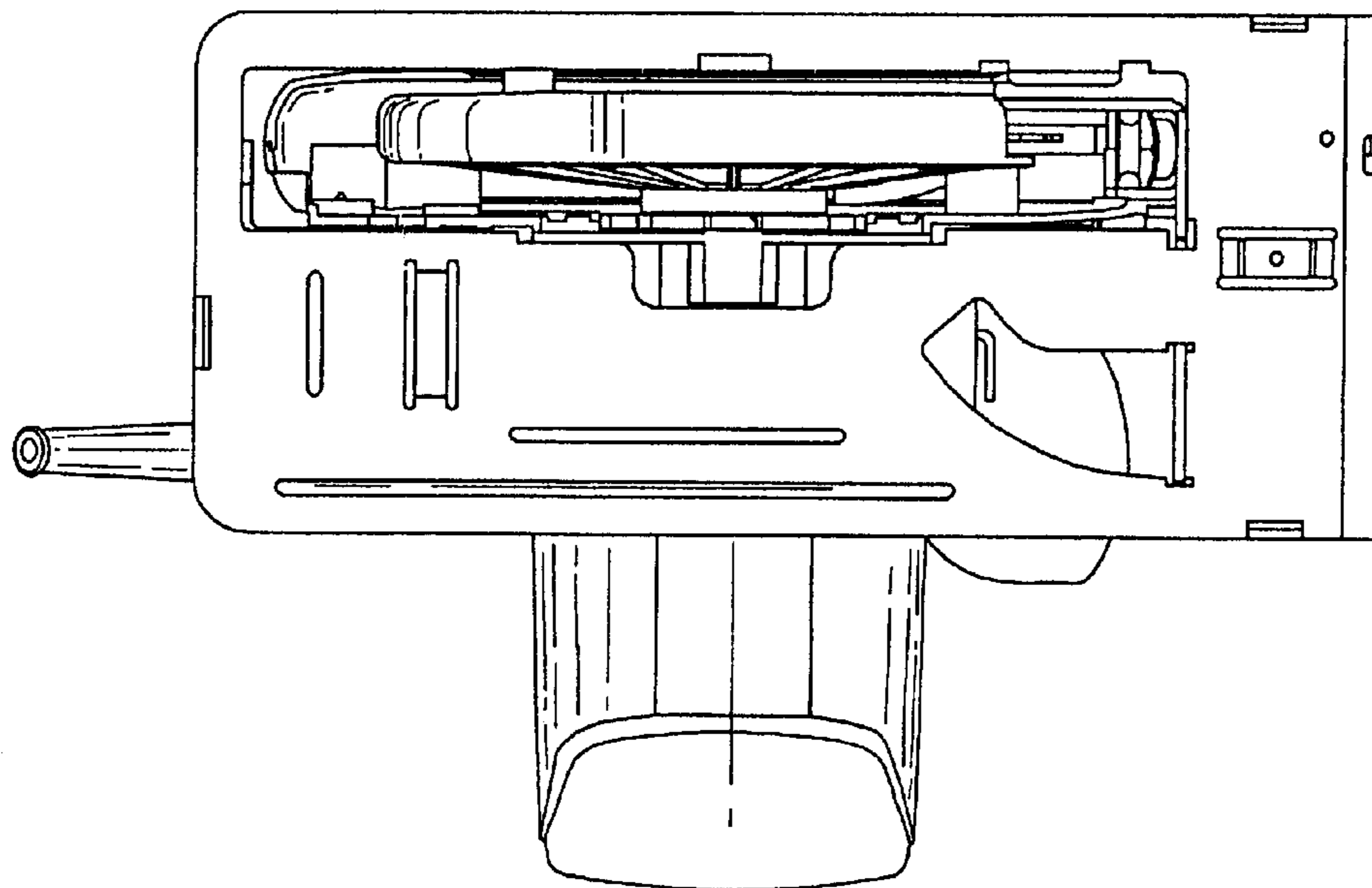


FIG. 6

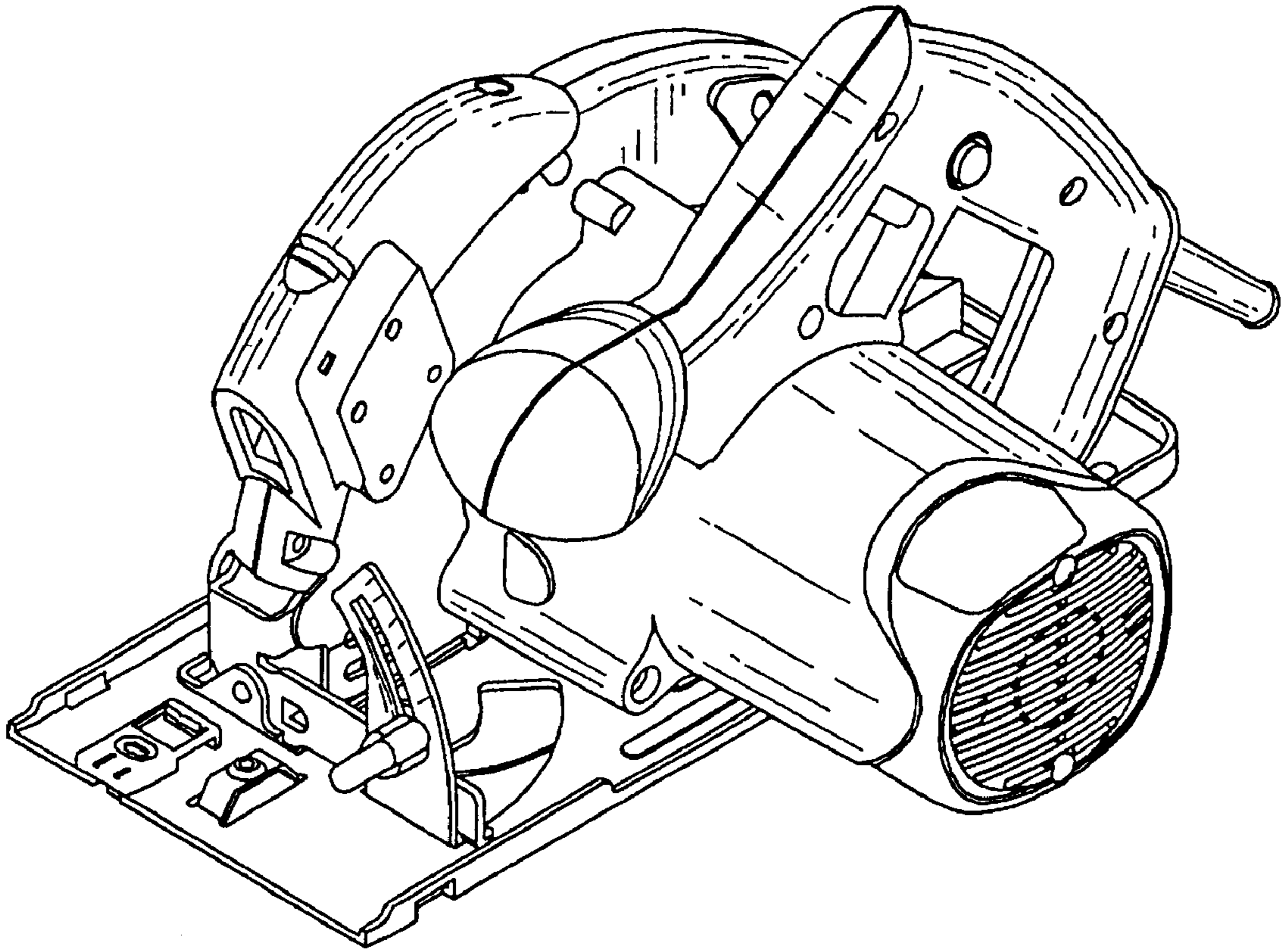


FIG. 7