



US00D486357S

(12) **United States Design Patent**  
**Leba et al.**

(10) **Patent No.:** **US D486,357 S**

(45) **Date of Patent:** **\*\* Feb. 10, 2004**

(54) **ICE CHEST**

(75) Inventors: **Minh Leba**, Houston, TX (US); **John Maldonado**, Katy, TX (US); **Ninh Pham**, Katy, TX (US)

(73) Assignee: **Igloo Products Corporation**, Houston, TX (US)

(\*\*) Term: **14 Years**

(21) Appl. No.: **29/177,474**

(22) Filed: **Mar. 12, 2003**

(51) **LOC (7) Cl.** ..... **07-01**

(52) **U.S. Cl.** ..... **D7/605**

(58) **Field of Search** ..... D7/605-608; D6/397, D6/429; 62/457.1-457.7, 371, 372, 258, 331; 206/541, 545; 220/592.2, 592.03, 592.24, 592.25, 915.1, 915.2, 259; 280/30, 43, 43.1, 43.24, 43.26, 43.34, 645, 651, 652

(56) **References Cited**

**U.S. PATENT DOCUMENTS**

- D293,632 S \* 1/1988 Capocasa ..... D7/605
- D295,484 S \* 5/1988 Tarozzi et al. .... D7/605
- 5,319,937 A 6/1994 Fritsch et al.
- D349,007 S 7/1994 Costello
- 5,423,426 A 6/1995 Harper

- 5,437,165 A 8/1995 White et al.
- D381,870 S \* 8/1997 Wedi ..... D7/605
- 6,315,149 B1 11/2001 Conrado et al.
- 6,328,179 B1 12/2001 Conrado et al.

**OTHER PUBLICATIONS**

Igloo Inquisitor; 1999 Igloo Product Catalog and Price List; 1998; 30 pages.  
Igloo Times, 2003 Product Catalog; undated; 3 pages.  
Igloo Times, 2003 Product Catalog; Jun. 21, 2002; 3 pages.

\* cited by examiner

*Primary Examiner*—Terry A. Wallace

(74) *Attorney, Agent, or Firm*—Nixon & Vanderhuy PC

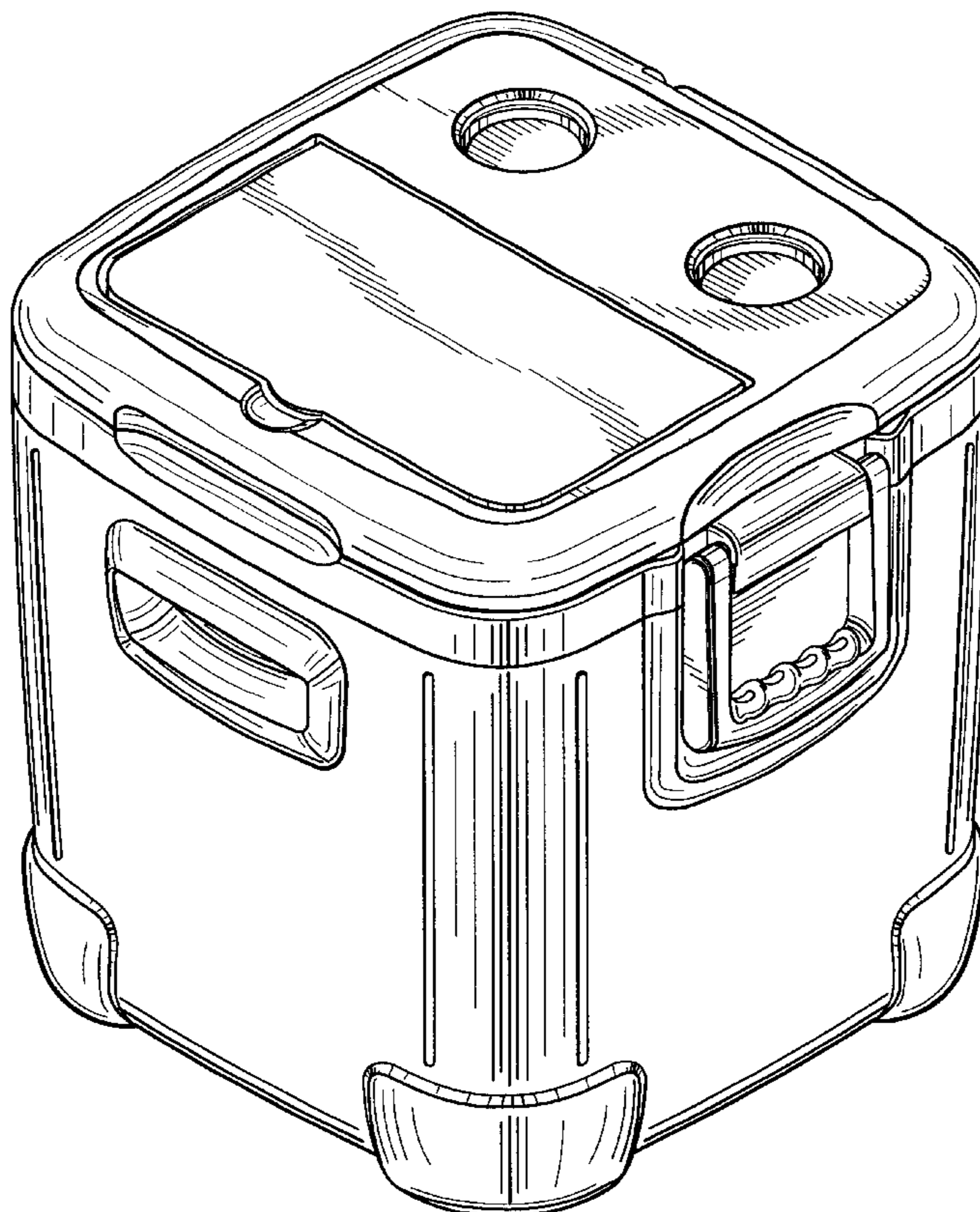
(57) **CLAIM**

The ornamental design for an “ice chest”, as shown and described.

**DESCRIPTION**

FIG. 1 is a perspective view of an ice chest showing our new design from the front, top and right side with its lid closed; FIG. 2 is a top plan view thereof; FIG. 3 is a front side elevation view thereof; FIG. 4 is a right side elevation view thereof, the left side elevation being a mirror image thereof; FIG. 5 is a rear side elevation view thereof; and, FIG. 6 is a bottom plan view thereof.

**1 Claim, 6 Drawing Sheets**



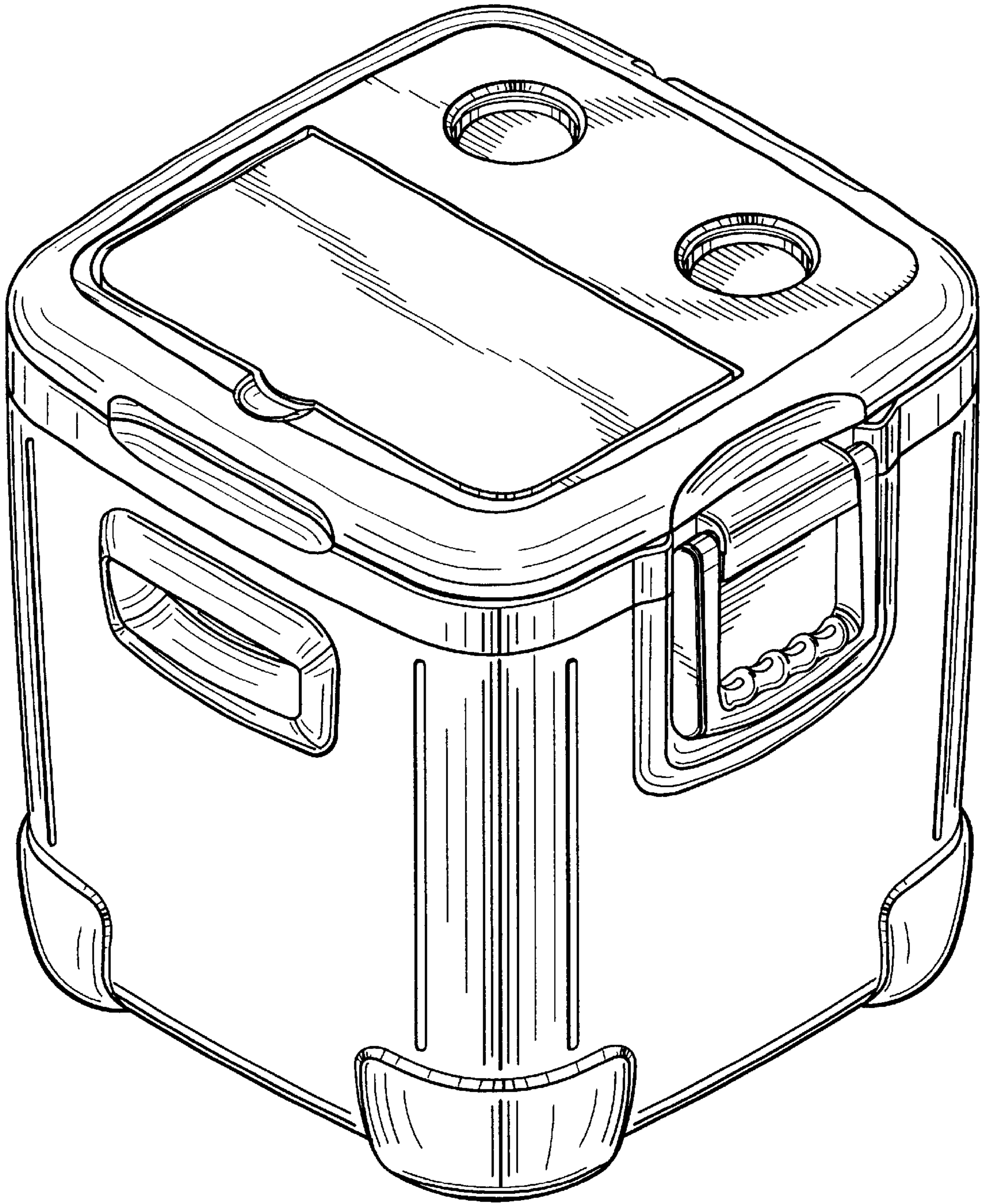


Fig. 1

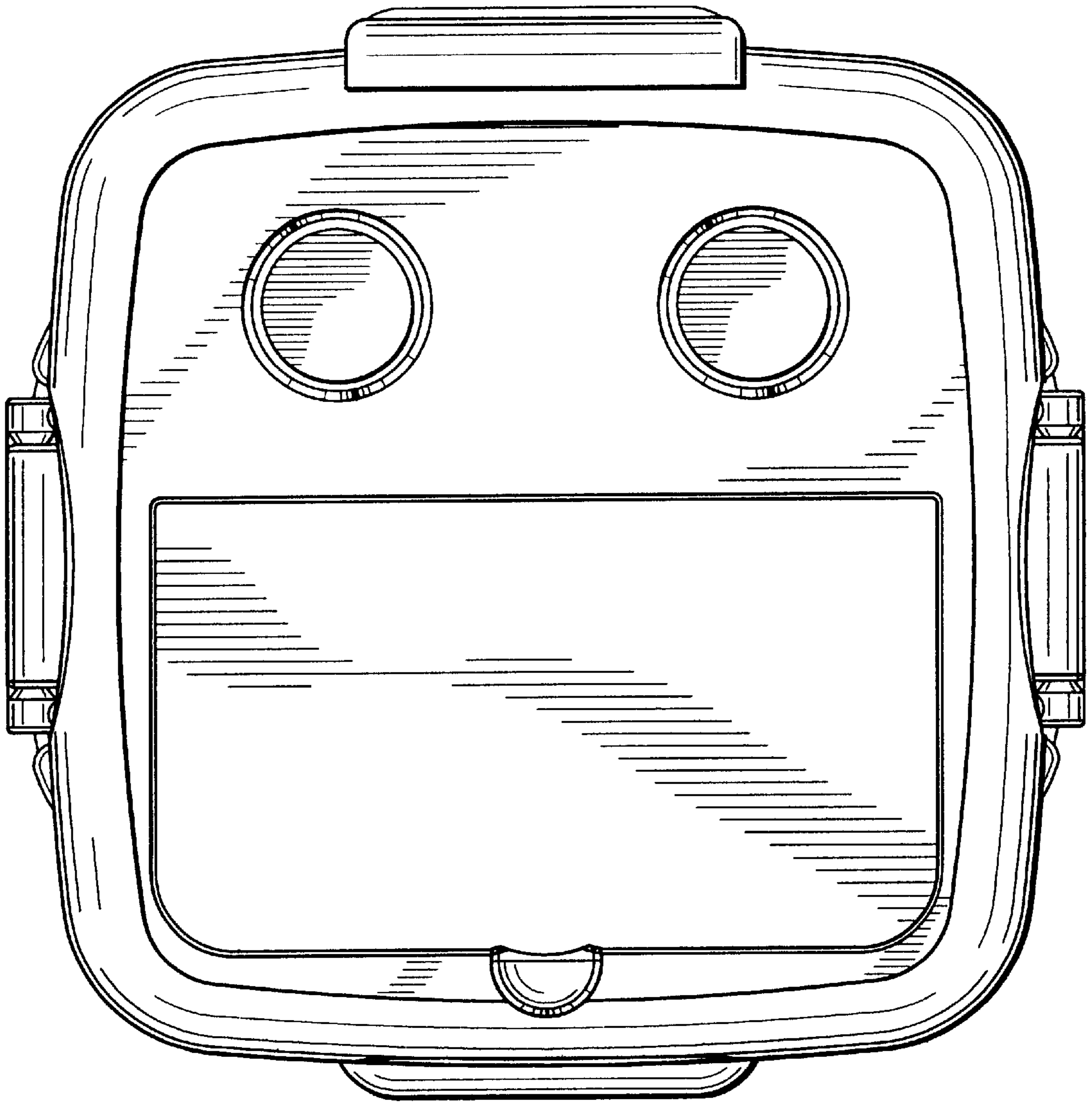


Fig.2



Fig.3

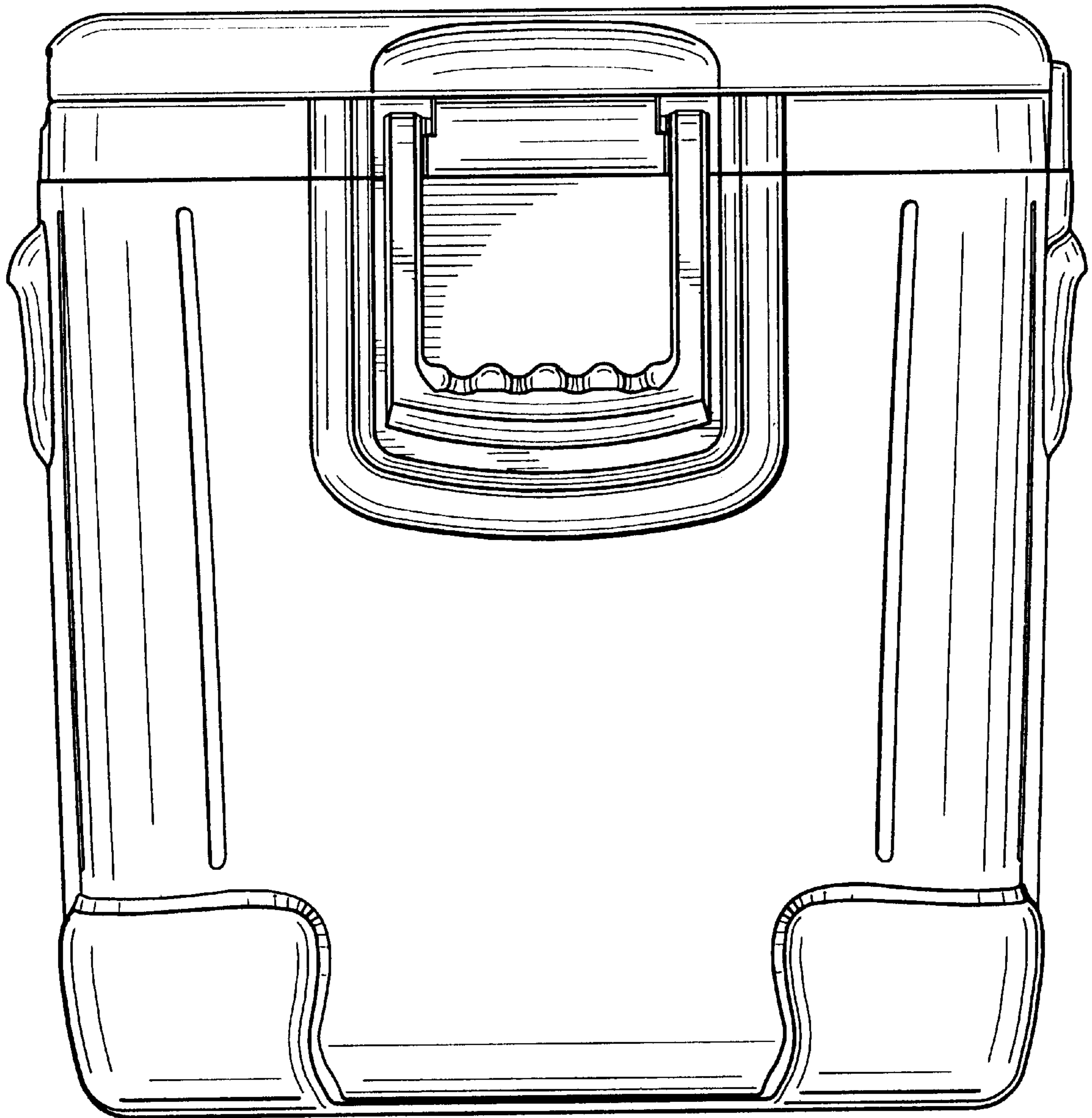


Fig.4

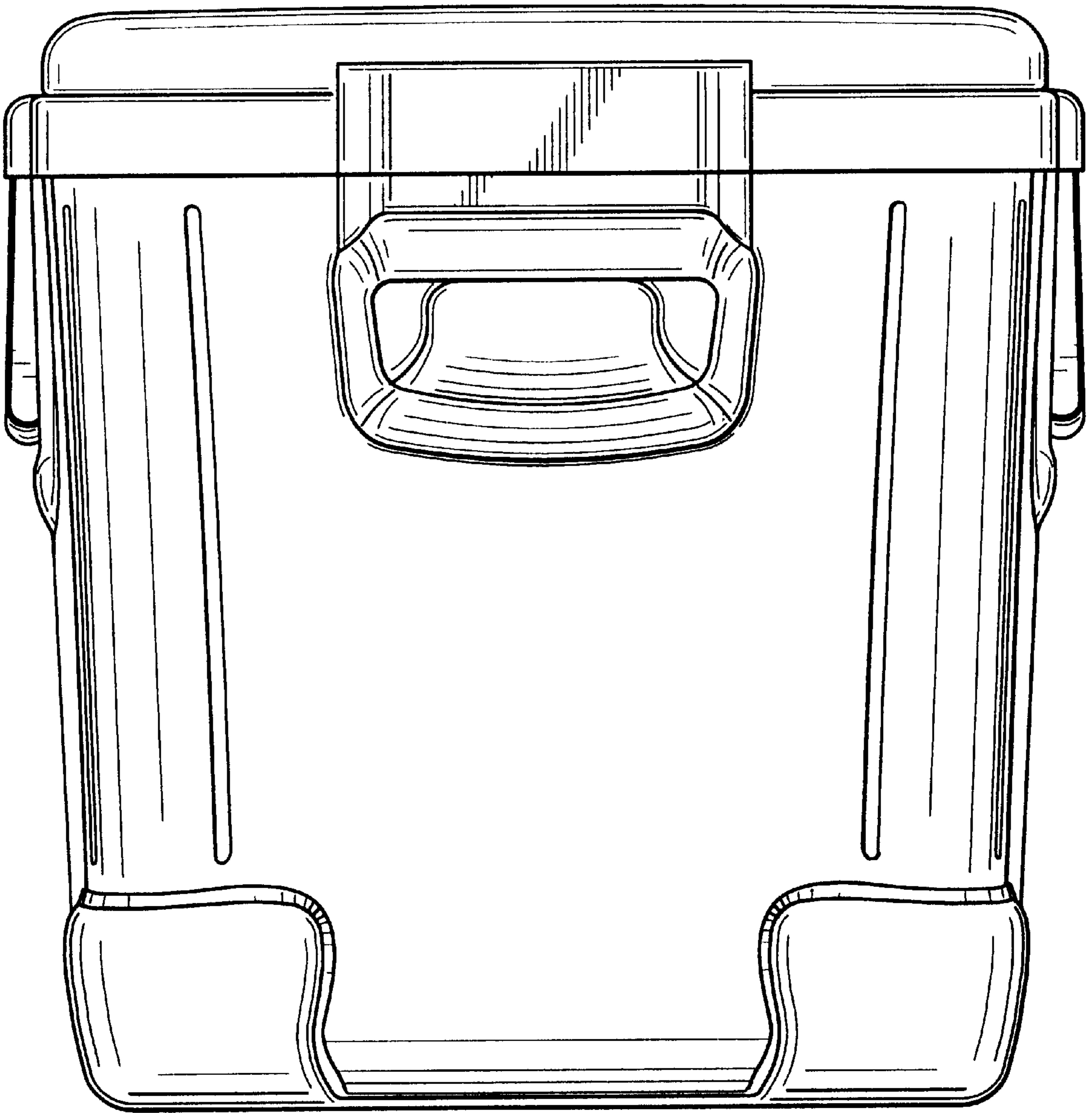


Fig.5

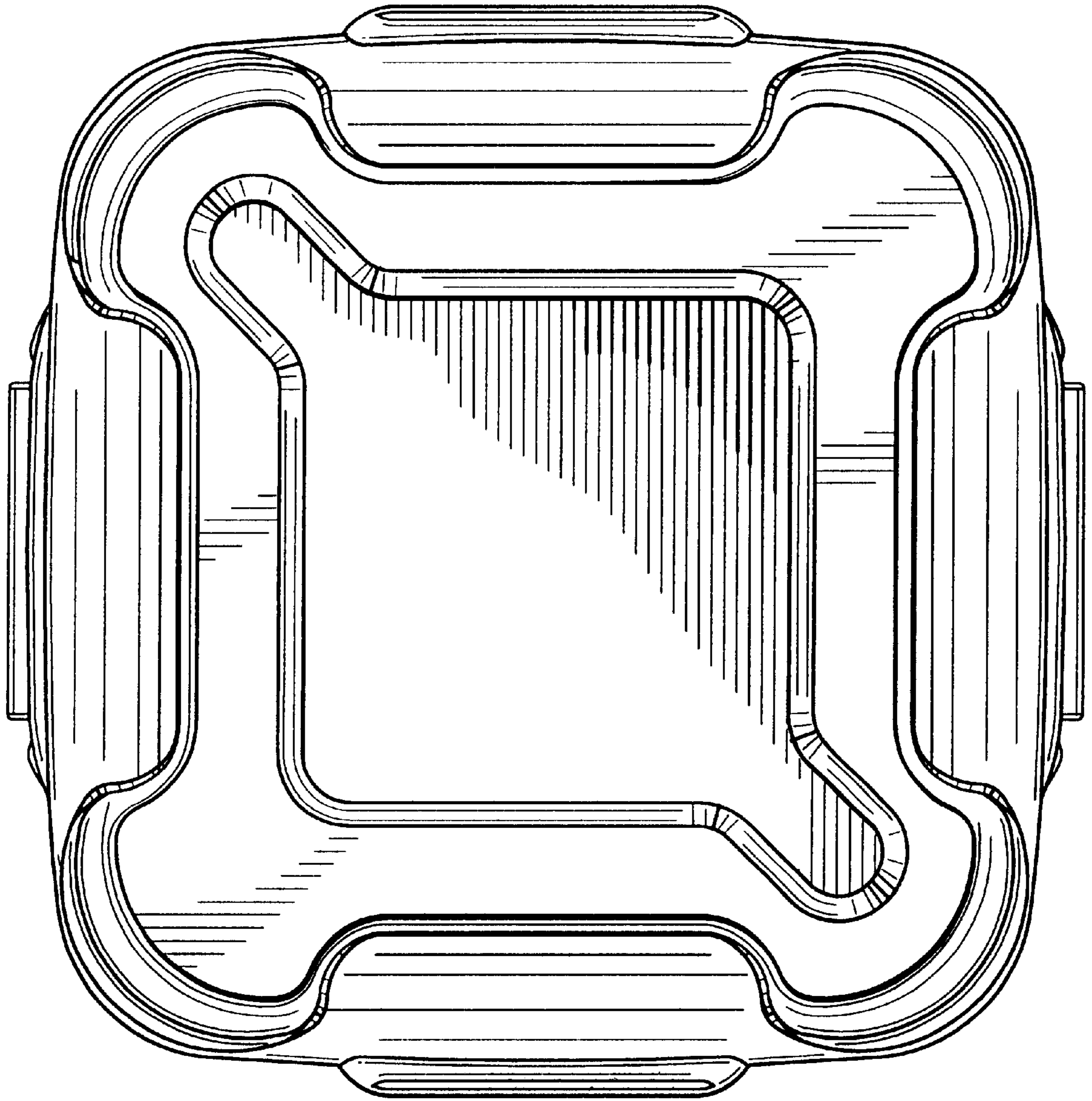


Fig.6